



US00D611142S

(12) **United States Design Patent**
Melder

(10) **Patent No.:** **US D611,142 S**
(45) **Date of Patent:** **** *Mar. 2, 2010**

(54) **HOLDER FOR A REMOVABLE CAMERA SCREEN**

(75) Inventor: **Patrick C. Melder**, Clarksburg, MD (US)

(73) Assignee: **Envisionier Medical Technologies, Inc.**, Rockville, MD (US)

(**) Term: **14 Years**

(21) Appl. No.: **29/322,352**

(22) Filed: **Aug. 1, 2008**

(51) **LOC (9) Cl.** **24-02**

(52) **U.S. Cl.** **D24/137; D24/128; D24/138**

(58) **Field of Classification Search** D16/219, D16/237, 242; D24/137-138, 128, 127; 600/102-103, 112, 131, 160, 110, 118; D3/201, D3/304, 318; D6/540, 553, 567; D19/75, D19/83, 86, 87, 90, 99-100; 211/13.1, 42, 211/45-46, 50, 88.01, 126.13

See application file for complete search history.

(56) **References Cited**

U.S. PATENT DOCUMENTS

D358,471 S * 5/1995 Cope et al. D24/137
5,928,137 A * 7/1999 Green 600/160
D439,908 S 4/2001 Gozani

(Continued)

OTHER PUBLICATIONS

Copending design U.S. Appl. No. 29/295,909, filed Oct. 10, 2007, Entitled Sterile Drape for an Endoscopic Camera and having a common inventor and assignee with the present application.

(Continued)

Primary Examiner—Ian Simmons
Assistant Examiner—Wan Laymon

(74) *Attorney, Agent, or Firm*—Patzik, Frank & Samotny Ltd.

(57) **CLAIM**

The ornamental design for a holder for a removable camera screen, as shown and described.

DESCRIPTION

FIG. 1 is a side and rear perspective view of the holder of the present invention, the portions shown in broken lines forming no part of the design sought to be patented;

FIG. 2 is a right side view of the holder of the present invention, the portions shown in broken lines forming no part of the design sought to be patented;

FIG. 3 is a left side view of the holder of the present invention, the portions shown in broken lines forming no part of the design sought to be patented;

FIG. 4 is a rear view of the holder of the present invention, the portions shown in broken lines forming no part of the design sought to be patented;

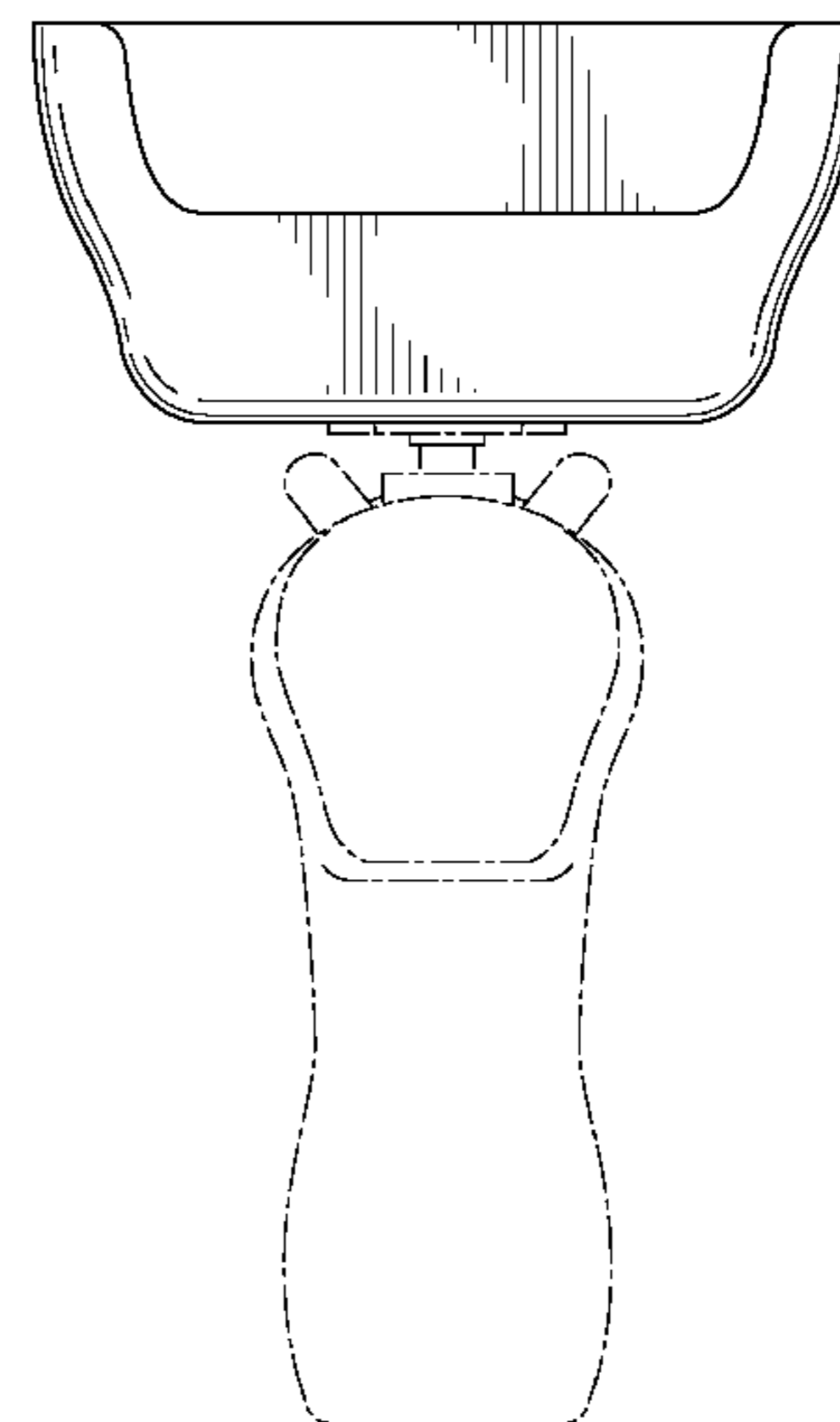
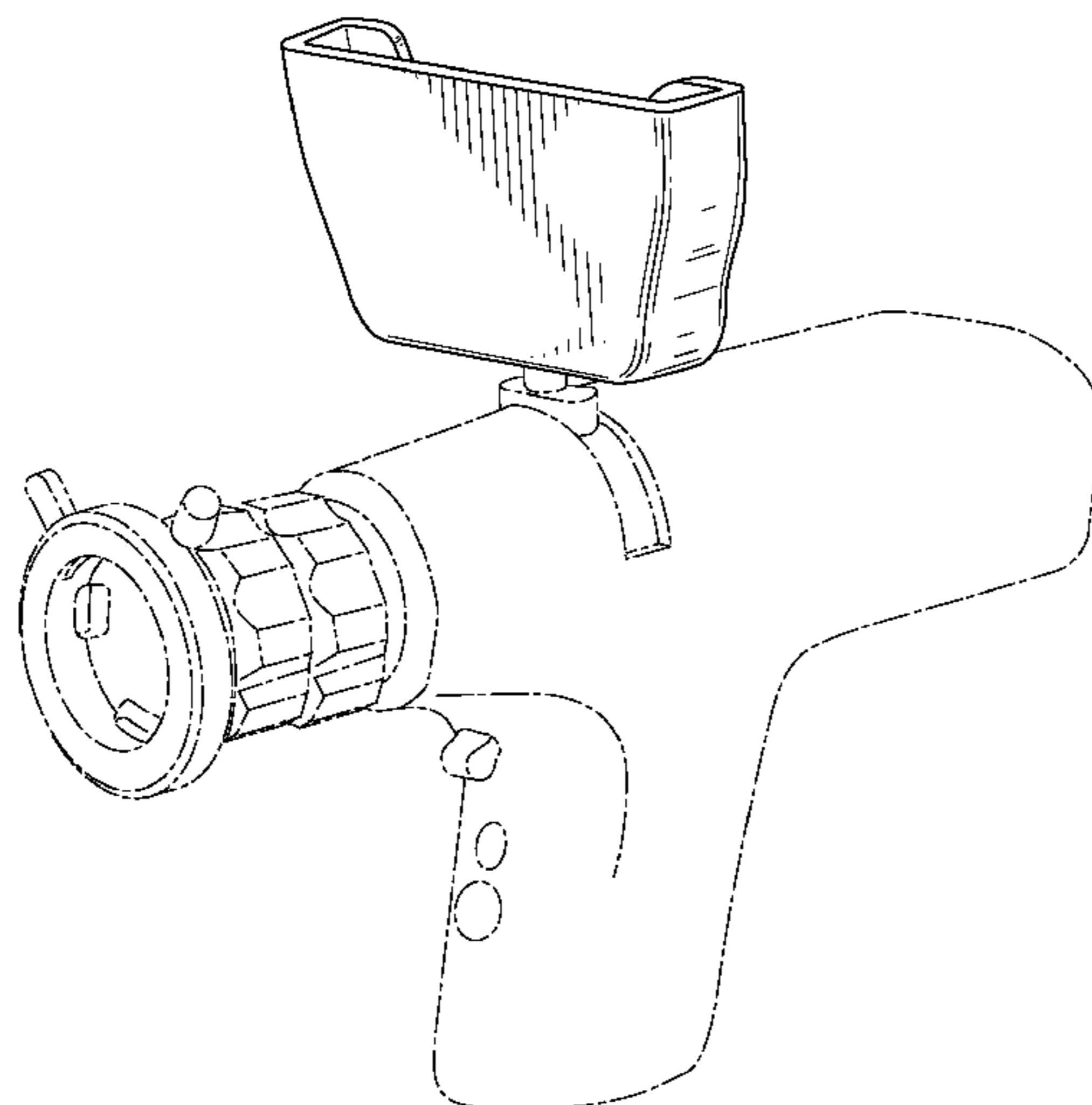
FIG. 5 is a front view of the holder of the present invention, the portions shown in broken lines forming no part of the design sought to be patented;

FIG. 6 is a top plan view of the holder of the present invention, the portions shown in broken lines forming no part of the design sought to be patented;

FIG. 7 is a bottom plan view of the holder of the present invention, the view partially obstructed, the portions shown in broken lines forming no part of the design sought to be patented; and,

FIG. 8 is a bottom plan view of the holder of the present invention, the view unobstructed, the portions shown in broken lines forming no part of the design sought to be patented.

1 Claim, 7 Drawing Sheets



US D611,142 S

Page 2

U.S. PATENT DOCUMENTS

D485,307 S * 1/2004 Sheldon et al. D19/90
D486,185 S * 2/2004 Sheldon et al. D19/90
D504,469 S * 4/2005 Chen et al. D19/90
D536,011 S * 1/2007 Dayan D16/208
D536,360 S * 2/2007 Dayan D16/242
7,214,183 B2 * 5/2007 Miyake 600/131
D581,051 S * 11/2008 Melder D24/138
D583,562 S * 12/2008 Ghiorghie D3/304
7,584,534 B2 * 9/2009 Pease et al. 29/729
2007/0185379 A1 * 8/2007 Newman et al. 600/110
2007/0225561 A1 * 9/2007 Watanabe et al. 600/118
2007/0249904 A1 * 10/2007 Amano et al. 600/131

OTHER PUBLICATIONS

Copending utility U.S. Appl. No. 11/768,965, filed Jun. 27, 2007, Entitled Endoscopic Imaging System and having a common inventor and assignee with the present application.

Copending design U.S. Appl. No. 29/247,639, filed Jun. 30, 2006, Entitled Camera and having a common inventor and assignee with the present application.

Copending design U.S. Appl. No. 29/322,349, filed Aug. 1, 2008, Entitled Docking Station for a Removable Camera Screen and having a common inventor and assignee with present application.

Copending design U.S. Appl. No. 29/322,353, filed Aug. 1, 2008, Entitled Removable Camera Screen and having a common inventor and assignee with the present application.

* cited by examiner

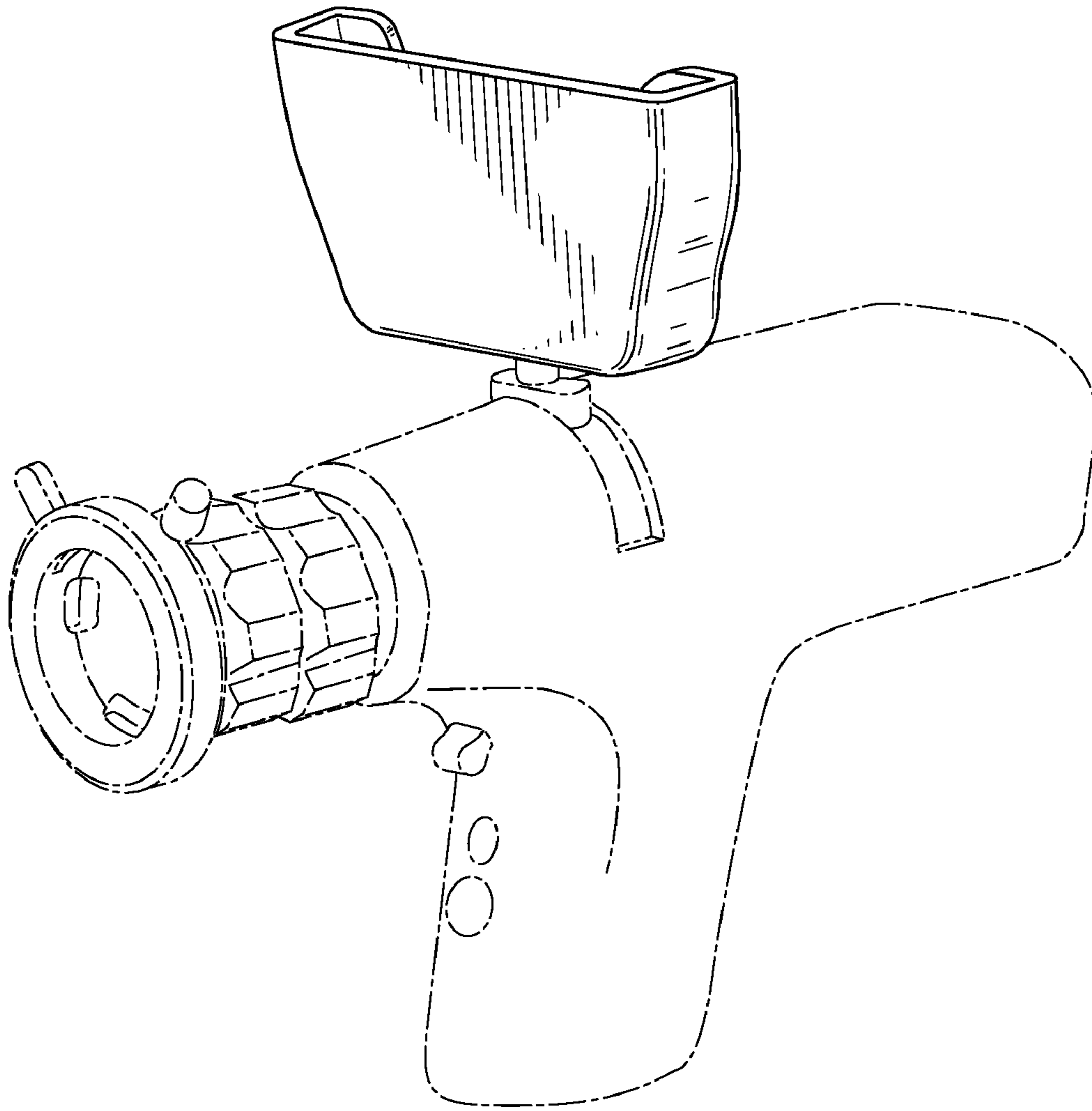


FIG. 1

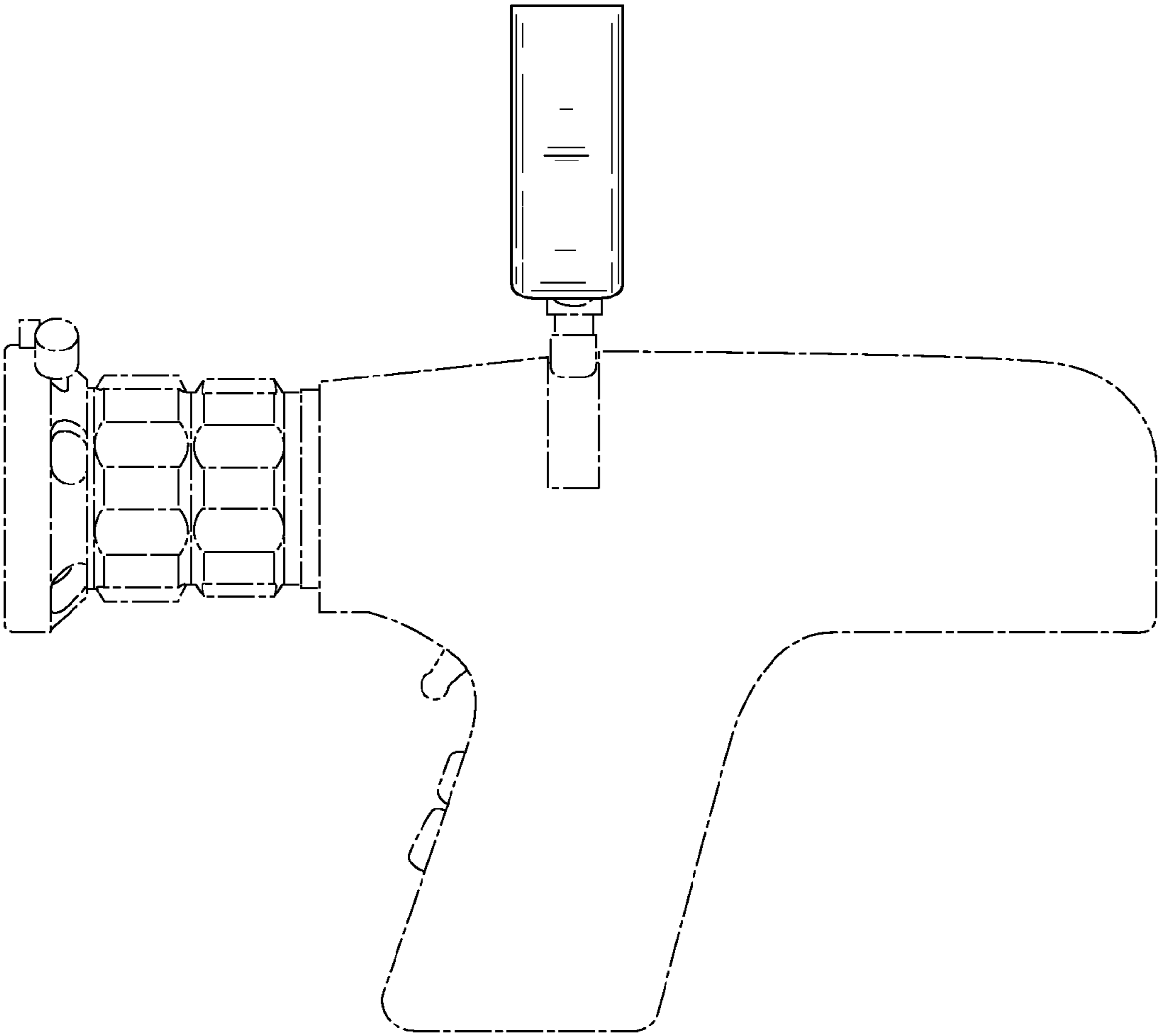


FIG. 2

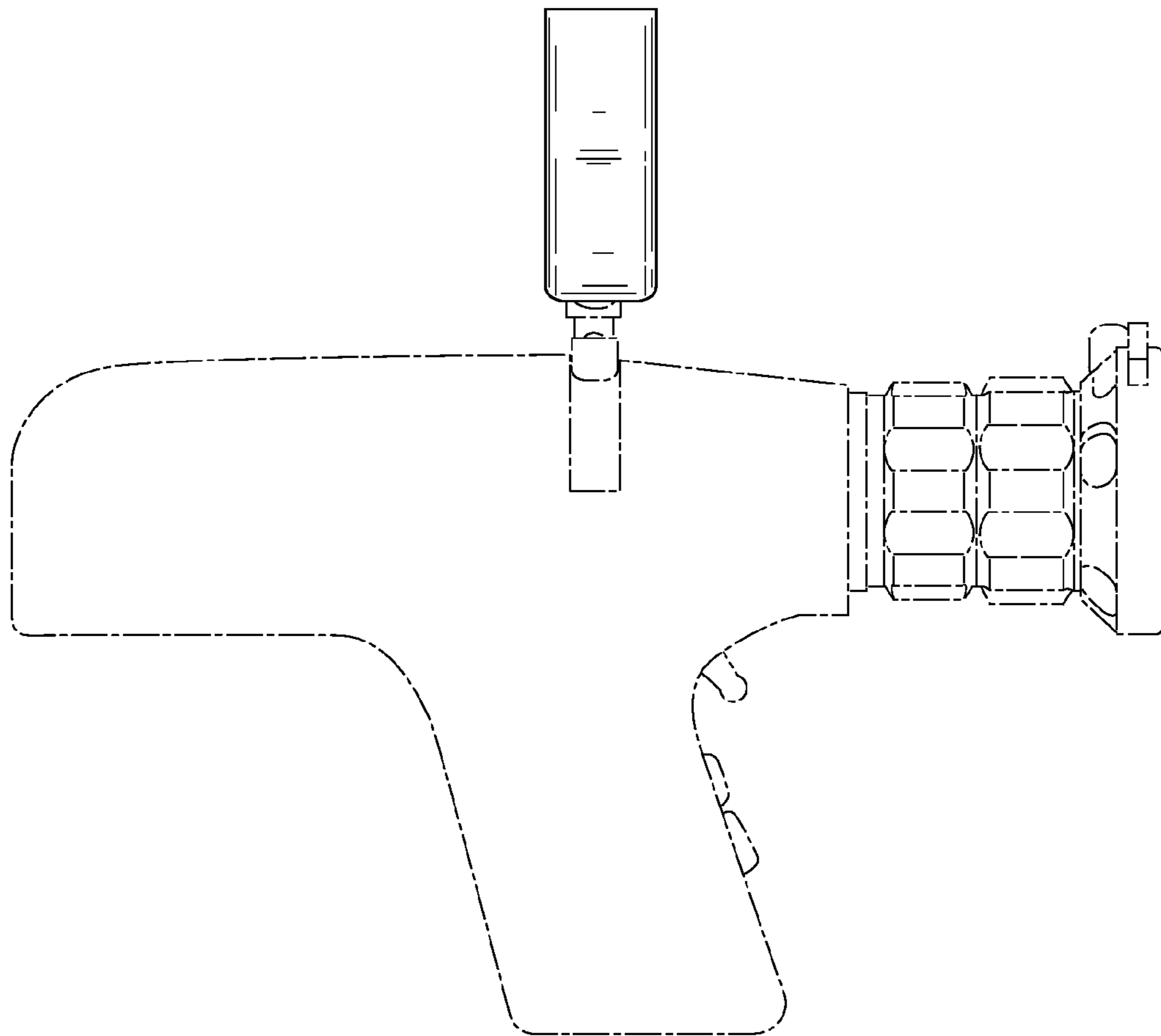


FIG. 3

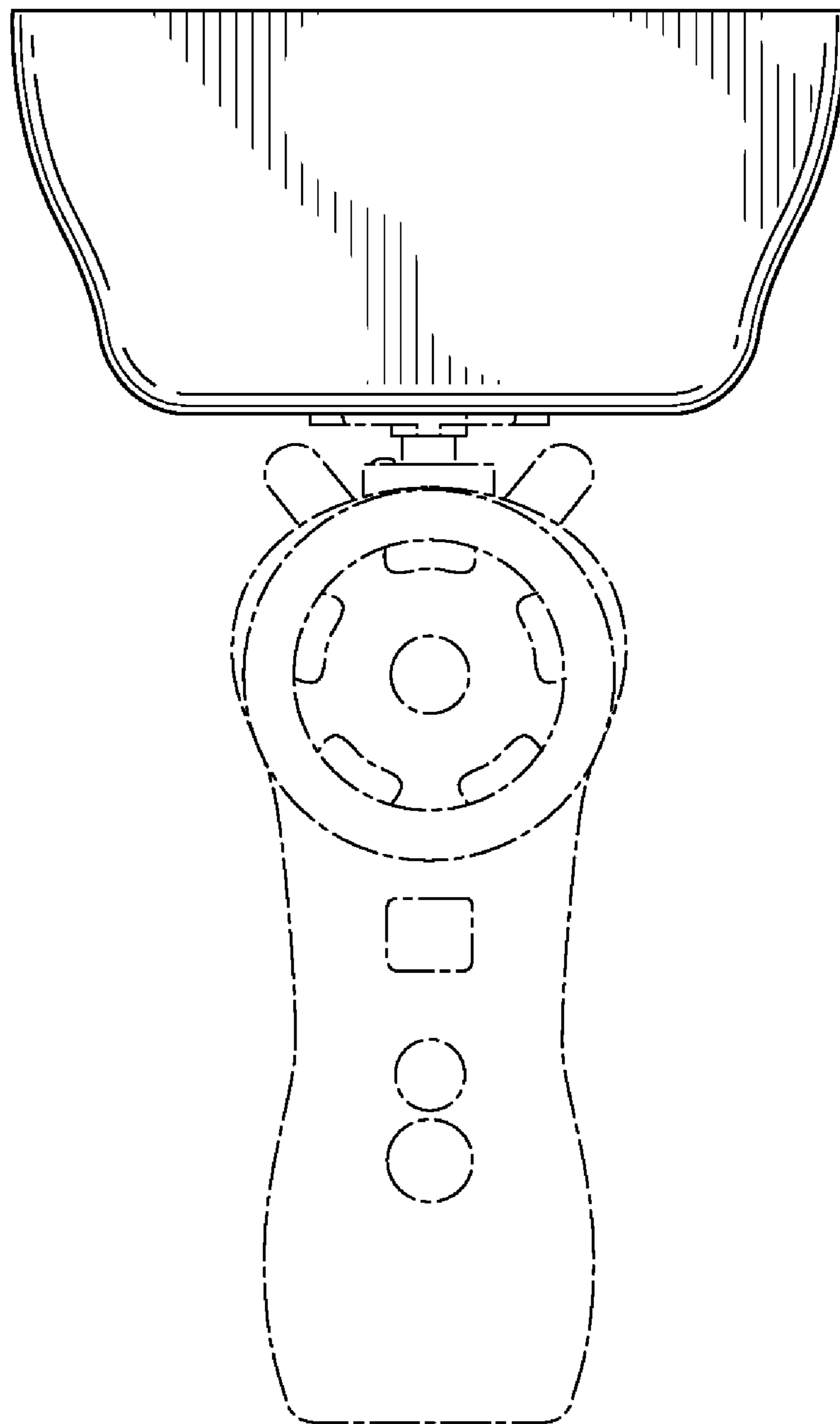


FIG. 4

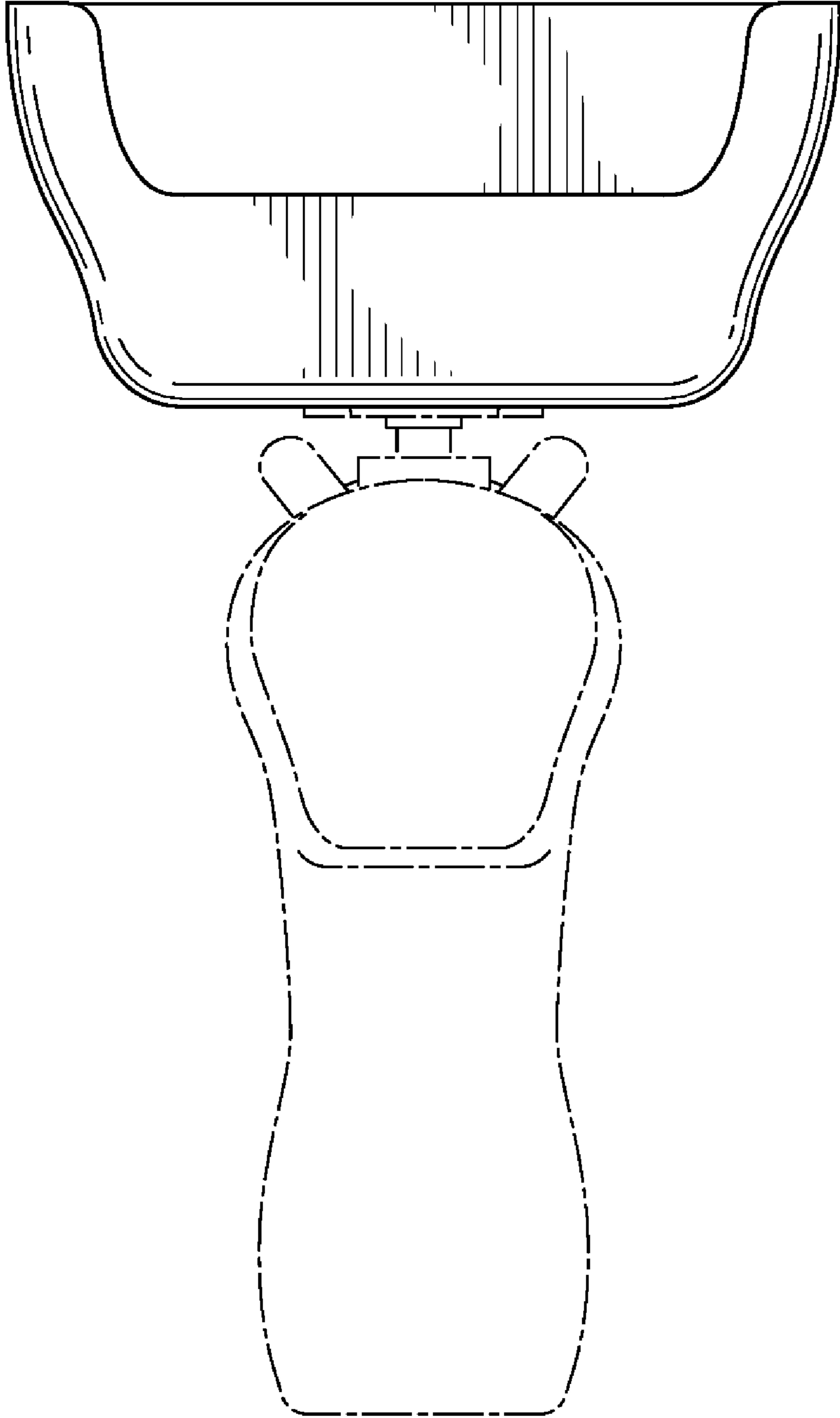


FIG. 5

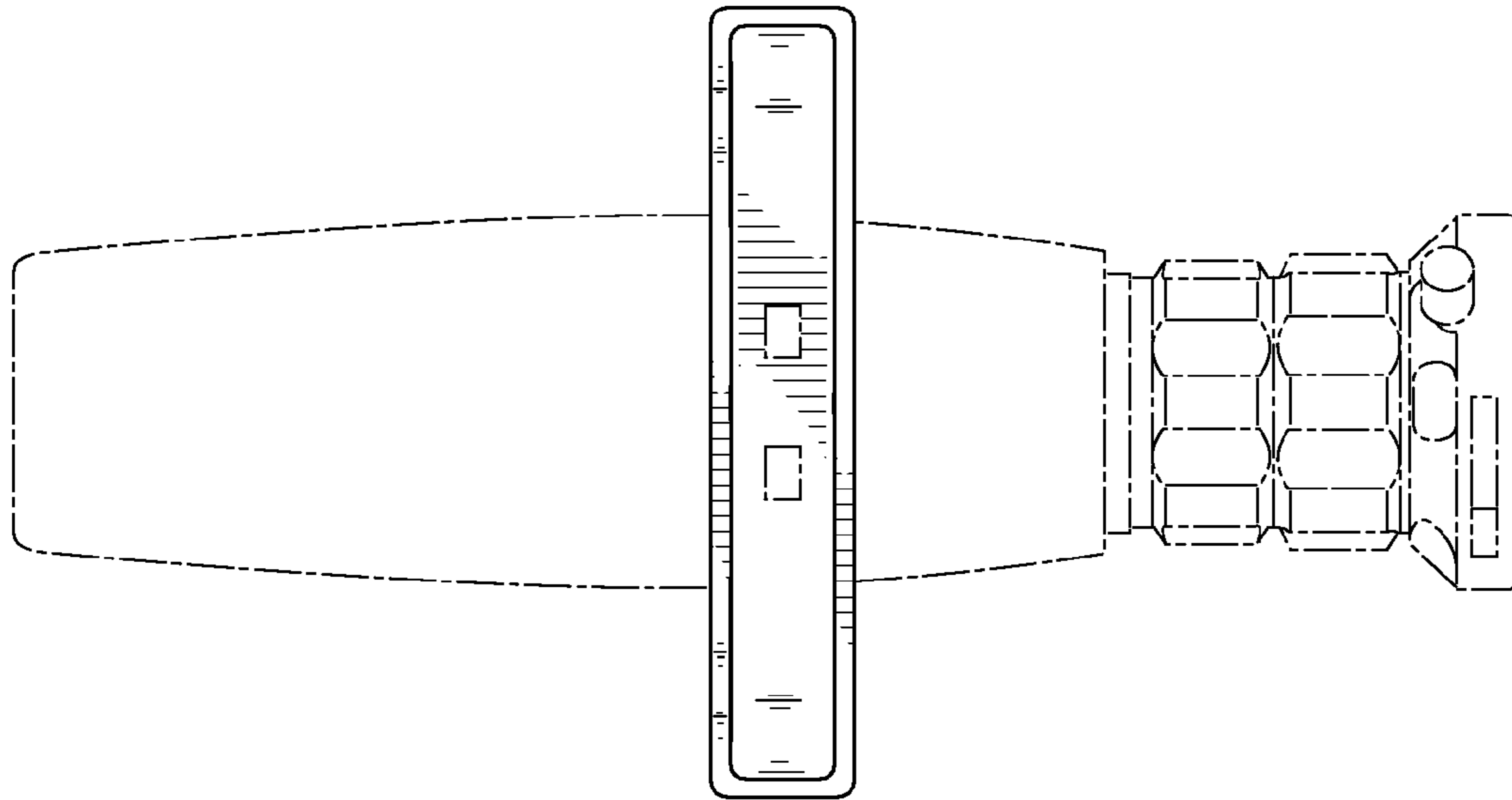


FIG. 6

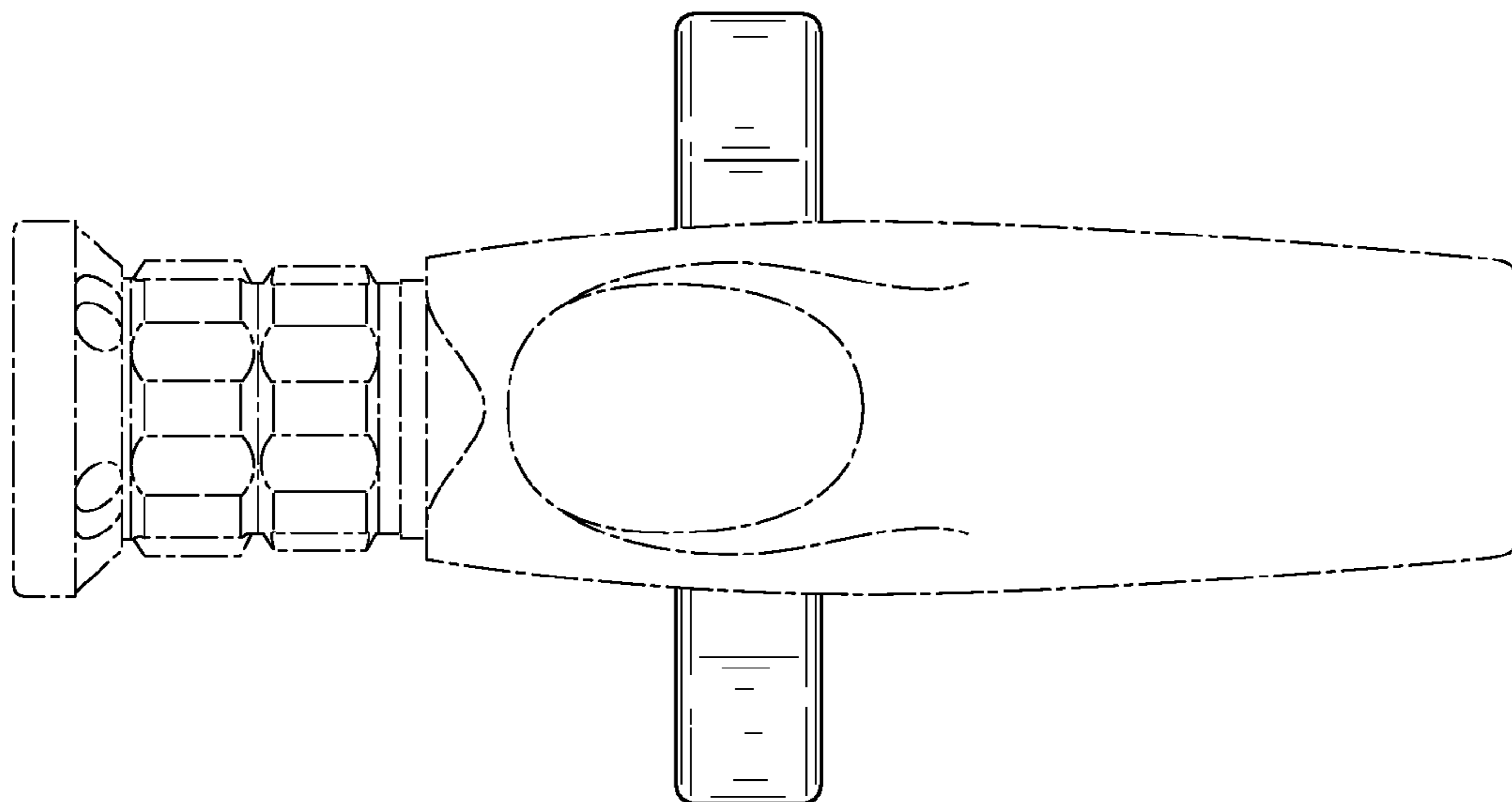


FIG. 7

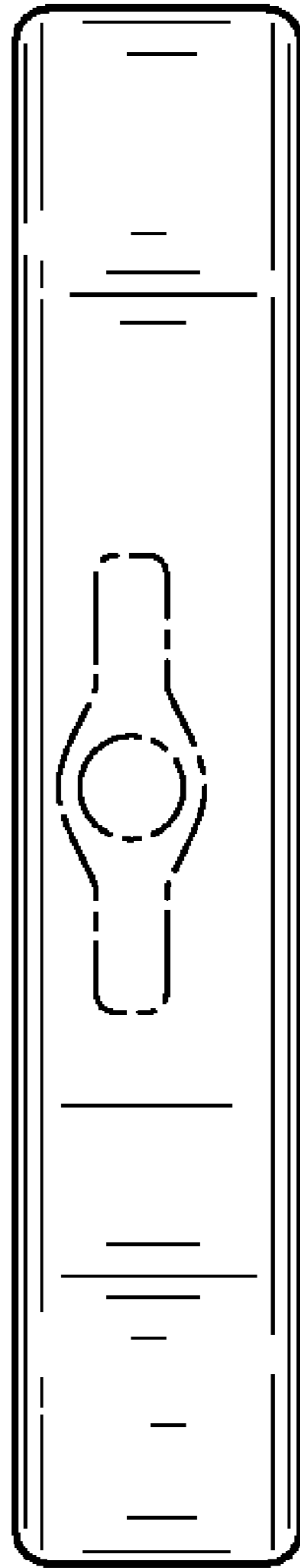


FIG. 8