



US00D611138S

(12) **United States Design Patent**  
**Nasir**

(10) **Patent No.:** **US D611,138 S**  
(45) **Date of Patent:** **\*\* \*Mar. 2, 2010**

(54) **LARYNGEAL MASK AIRWAY DEVICE**

2003/0172933 A1 9/2003 Nimmo ..... 128/207.14  
2005/0081861 A1\* 4/2005 Nasir ..... 128/207.14  
2006/0207601 A1\* 9/2006 Nasir ..... 128/207.14

(75) Inventor: **Muhammed Aslam Nasir**, Caddington  
(GB)

**FOREIGN PATENT DOCUMENTS**

(73) Assignee: **Intersurgical UAB (LT)**

DE	195 00 550	7/1996
EM	000067210-0001	8/2003
EM	000067210-0002	8/2003
EM	000180757-0001	5/2004
EM	000197124-0001/-0002	6/2004
EM	000197124-0003/-0004	6/2004
EM	000197124-0005/-0006	6/2004
EM	000482195-0001/0002	2/2006
EP	0 277 797	8/1988
EP	0 389 272	9/1990
EP	0 857 492	8/1998
EP	0 911 049	4/1999
EP	1 125 595	8/2001
GB	2 285 765	7/1995
GB	2 330 312	4/1999

(\*) Notice: This patent is subject to a terminal disclaimer.

(\*\*) Term: **14 Years**

(21) Appl. No.: **29/281,275**

(22) Filed: **Jun. 20, 2007**

(30) **Foreign Application Priority Data**

Dec. 21, 2006 (EM) ..... 000646393-0001

(51) **LOC (9) Cl.** ..... **29-02**

(52) **U.S. Cl.** ..... **D24/110.5**

(58) **Field of Classification Search** ..... D24/110,  
D24/110.1, 110.5, 164; 128/207.14, 207.15,  
128/200.26; 604/104, 174, 96.01

See application file for complete search history.

(56) **References Cited**

**U.S. PATENT DOCUMENTS**

3,734,100	A	5/1973	Walker et al.	128/351
5,391,248	A	2/1995	Brain	156/242
5,584,290	A *	12/1996	Brain	128/207.15
5,632,271	A	5/1997	Brain	128/207.15
5,791,341	A	8/1998	Bullard	128/207.15
5,878,745	A	3/1999	Brain	128/207.15
5,937,859	A	8/1999	Augustine et al.	128/207.15
5,979,445	A *	11/1999	Neame et al.	128/207.15
5,988,167	A	11/1999	Kamen	128/207.15
6,070,581	A	6/2000	Augustine et al.	128/207.15
6,705,318	B1 *	3/2004	Brain	128/207.14
D518,572	S *	4/2006	Nasir	D24/110.5
D518,890	S *	4/2006	Nasir	D24/110.5
7,047,973	B2 *	5/2006	Chang	128/207.15
7,134,431	B2 *	11/2006	Brain	128/200.26
2001/0015207	A1	8/2001	Pagan	128/207.15
2002/0010417	A1	1/2002	Bertram	604/96.01

(Continued)

*Primary Examiner*—Ian Simmons

*Assistant Examiner*—Christopher Lee

(74) *Attorney, Agent, or Firm*—Hayes Soloway P.C.

(57) **CLAIM**

The ornamental design for a laryngeal mask airway device, as shown and described.

**DESCRIPTION**

FIG. 1 is a front elevational view of a laryngeal mask, showing my new design;

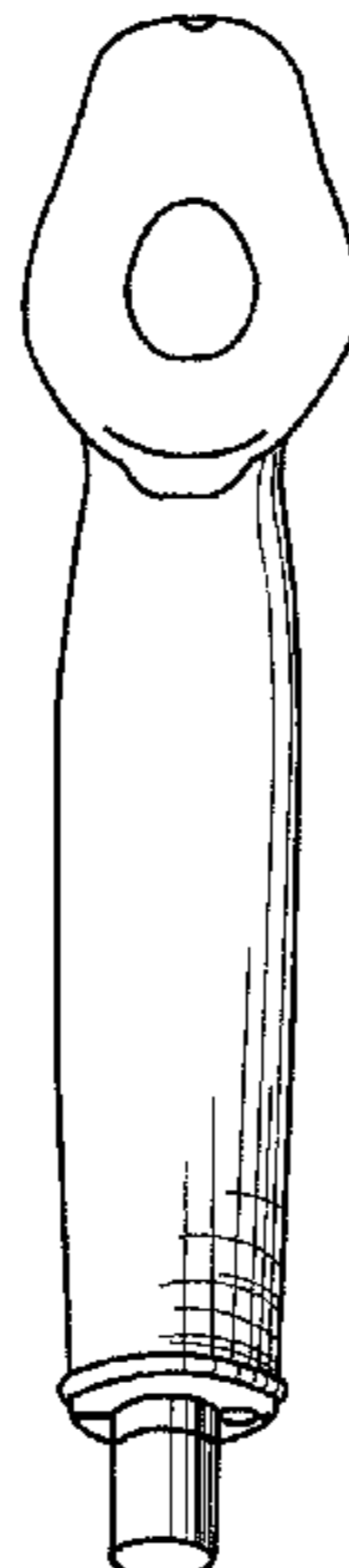
FIG. 2 is a rear elevational view thereof;

FIG. 3 is a side elevational view thereof;

FIG. 4 is a top plan view thereof; and,

FIG. 5 is a bottom plan view thereof.

**1 Claim, 3 Drawing Sheets**



# US D611,138 S

Page 2

---

FOREIGN PATENT DOCUMENTS			WO	WO 00/30706	6/2000
GB	2 337 020	11/1999	WO	WO 00/61213	10/2000
GB	2 364 644	2/2002	WO	WO 02/32490	4/2002
GB	2 393 399	3/2004	WO	WO 2004/016308	2/2004
GB	2 404 863	2/2005	WO	WO 2005/016427	2/2005
WO	WO 00/09189	2/2000	* cited by examiner		

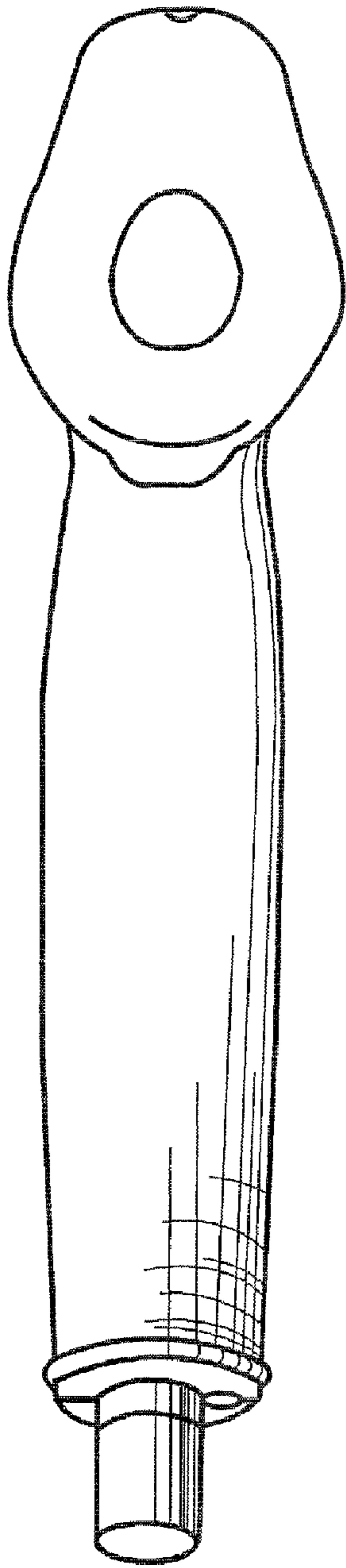


FIG. 1

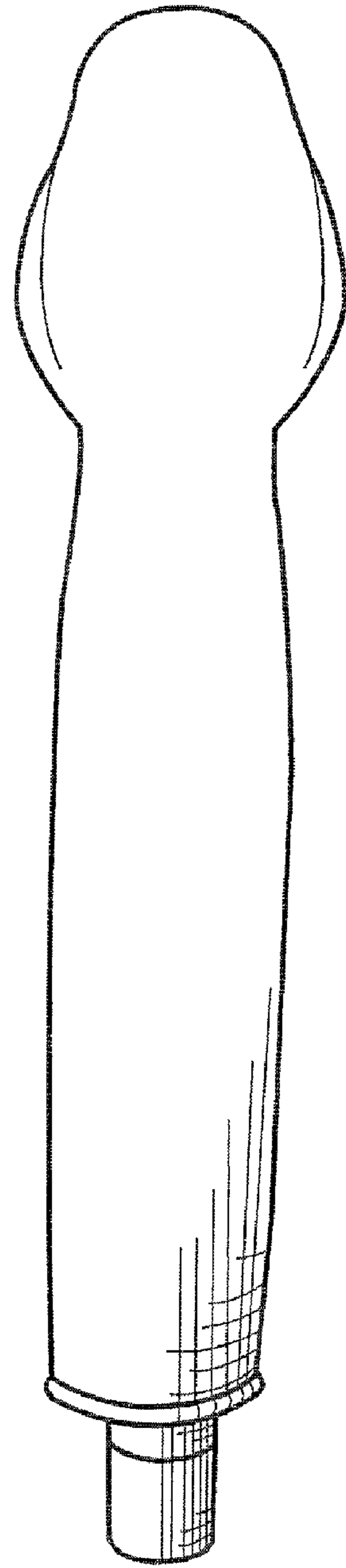


FIG. 2



FIG. 3

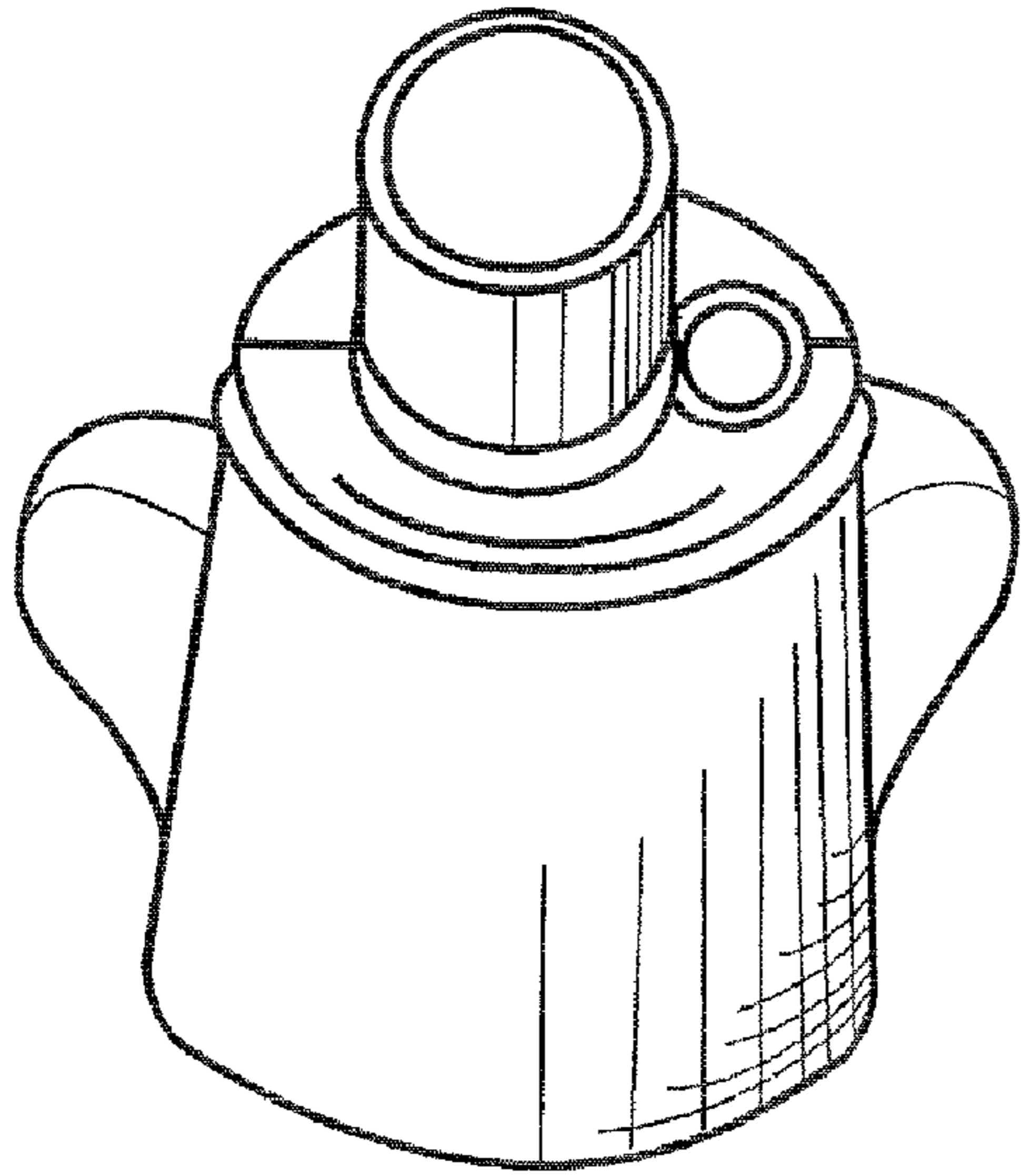


FIG. 4

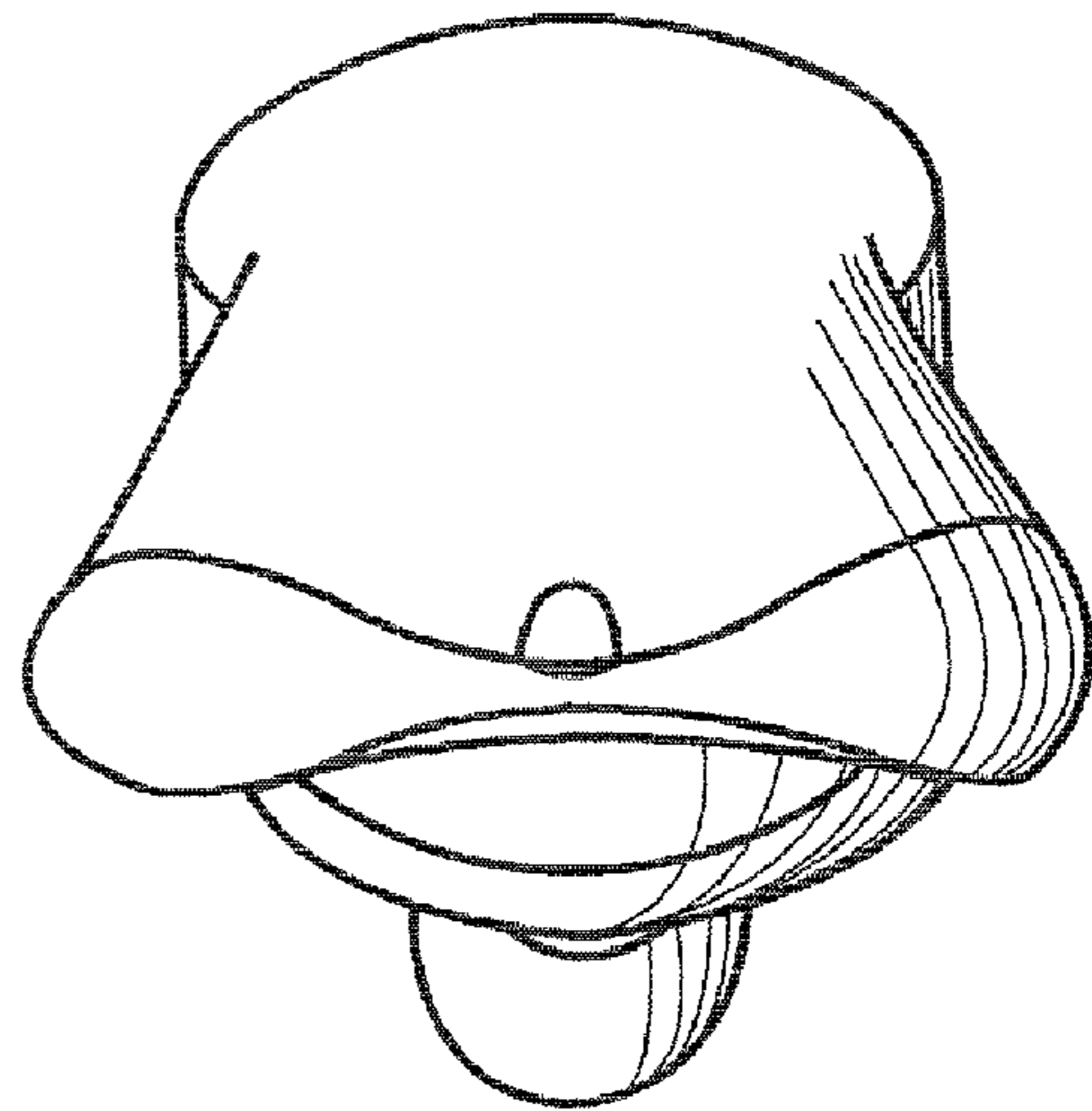


FIG. 5