



US00D611137S

(12) **United States Design Patent**
Olsson

(10) **Patent No.:** **US D611,137 S**
(45) **Date of Patent:** **** Mar. 2, 2010**

(54) **DIALYSIS MACHINE AND DISPLAY**

2004/0064080 A1* 4/2004 Cruz et al. 604/5.04
2005/0234382 A1* 10/2005 Tonelli et al. 604/4.01

(75) Inventor: **Håkan Olsson**, Asmundtorp (SE)

(73) Assignee: **Gambro Lundia AB** (CH)

(**) Term: **14 Years**

(21) Appl. No.: **29/290,543**

(22) Filed: **Dec. 14, 2007**

(30) **Foreign Application Priority Data**

Jun. 19, 2007 (EM) 000747811

(51) **LOC (9) Cl.** **24-01**

(52) **U.S. Cl.** **D24/107**

(58) **Field of Classification Search** D24/107,
D24/166, 108, 185–186, 232, 234, 169; 600/103,
600/159, 473, 475–476; 604/29, 34, 66,
604/83; 210/646, 645, 321.71, 321.65

See application file for complete search history.

(56) **References Cited**

U.S. PATENT DOCUMENTS

D216,919 S * 3/1970 Glassner et al. D24/186
D276,844 S * 12/1984 Eaton D24/165
D367,534 S * 2/1996 DiPerna et al. D24/169
5,629,871 A * 5/1997 Love et al. 702/34
5,641,144 A * 6/1997 Hendrickson et al. .. 248/292.13
D406,894 S * 3/1999 Menhennett et al. D24/169
5,919,154 A * 7/1999 Toavs et al. 604/4.01
D438,952 S * 3/2001 Cimino et al. D24/107
D446,861 S * 8/2001 Meziere et al. D24/169
D459,477 S * 6/2002 Stocks et al. D24/164
D467,000 S * 12/2002 Hui D24/169
D504,516 S * 4/2005 Yamazaki D24/186
7,171,249 B2* 1/2007 Takahashi et al. 600/310

OTHER PUBLICATIONS

New Options in Home HD—AK 95S—Gambro Renal Products;
International Marketing; Lund, Sweden.

Do you have multiple needs? AK 200S and AK 200 Ultra S Dialysis
Systems are unique solutions—Gambro Lundia AB; Global Market-
ing; Lund, Sweden.

* cited by examiner

Primary Examiner—Ian Simmons

Assistant Examiner—Wan Laymon

(74) *Attorney, Agent, or Firm*—Finnegan, Henderson,
Farabow, Garrett & Dunner L.L.P.

(57) **CLAIM**

The ornamental design for a dialysis machine and display, as
shown and described.

DESCRIPTION

FIG. 1 is a front perspective view of a dialysis machine with
display of my new design;

FIG. 2 is a front view thereof;

FIG. 3 is a rear view thereof;

FIG. 4 is a left side view thereof;

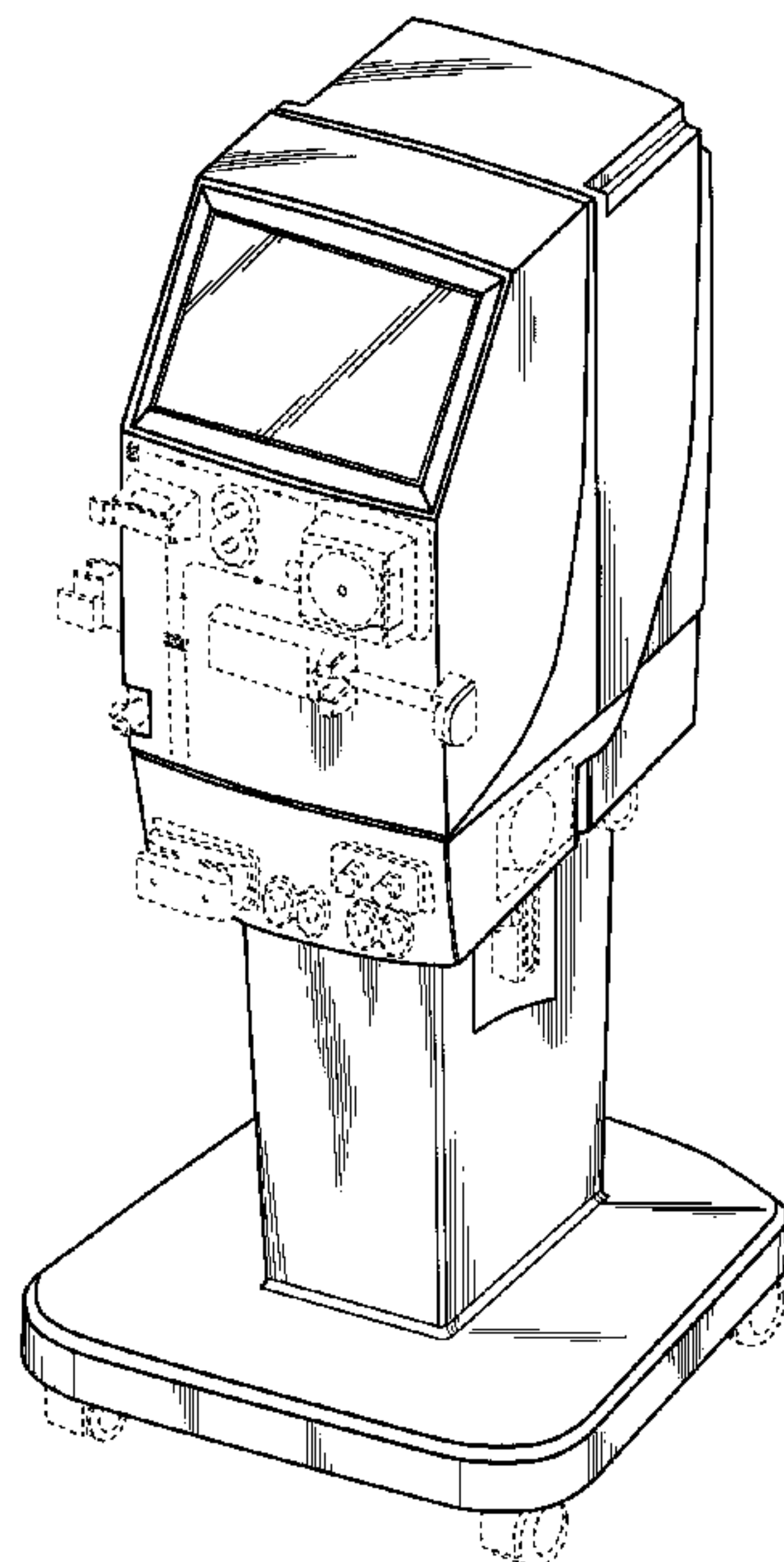
FIG. 5 is a right side view thereof;

FIG. 6 is a top plan view thereof; and,

FIG. 7 is a bottom plan view thereof.

The broken line showing portions of a dialysis machine and
display are included for the purpose of illustrating environ-
mental structure and form no part of the claimed design.

1 Claim, 6 Drawing Sheets



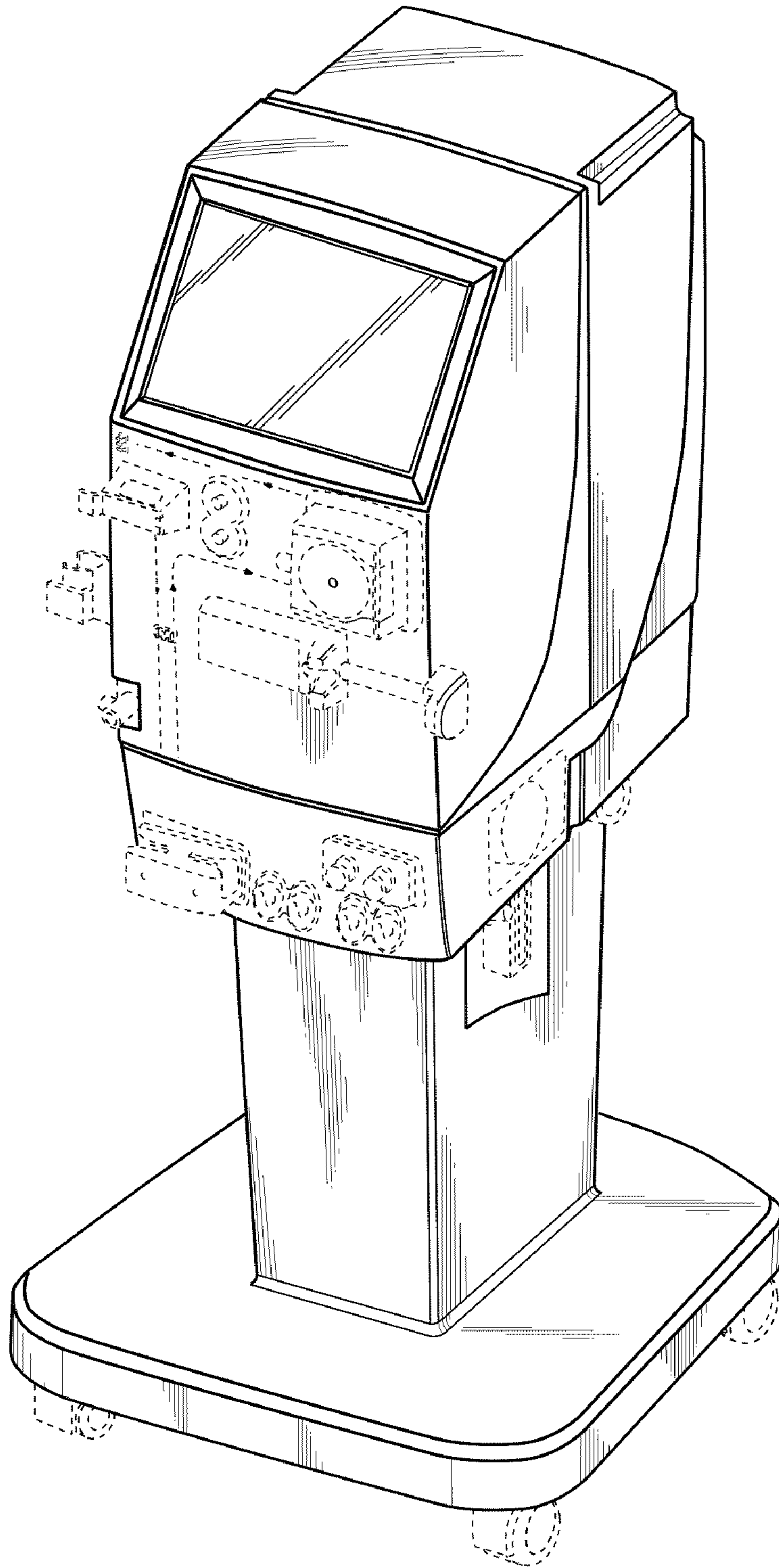


FIG. 1

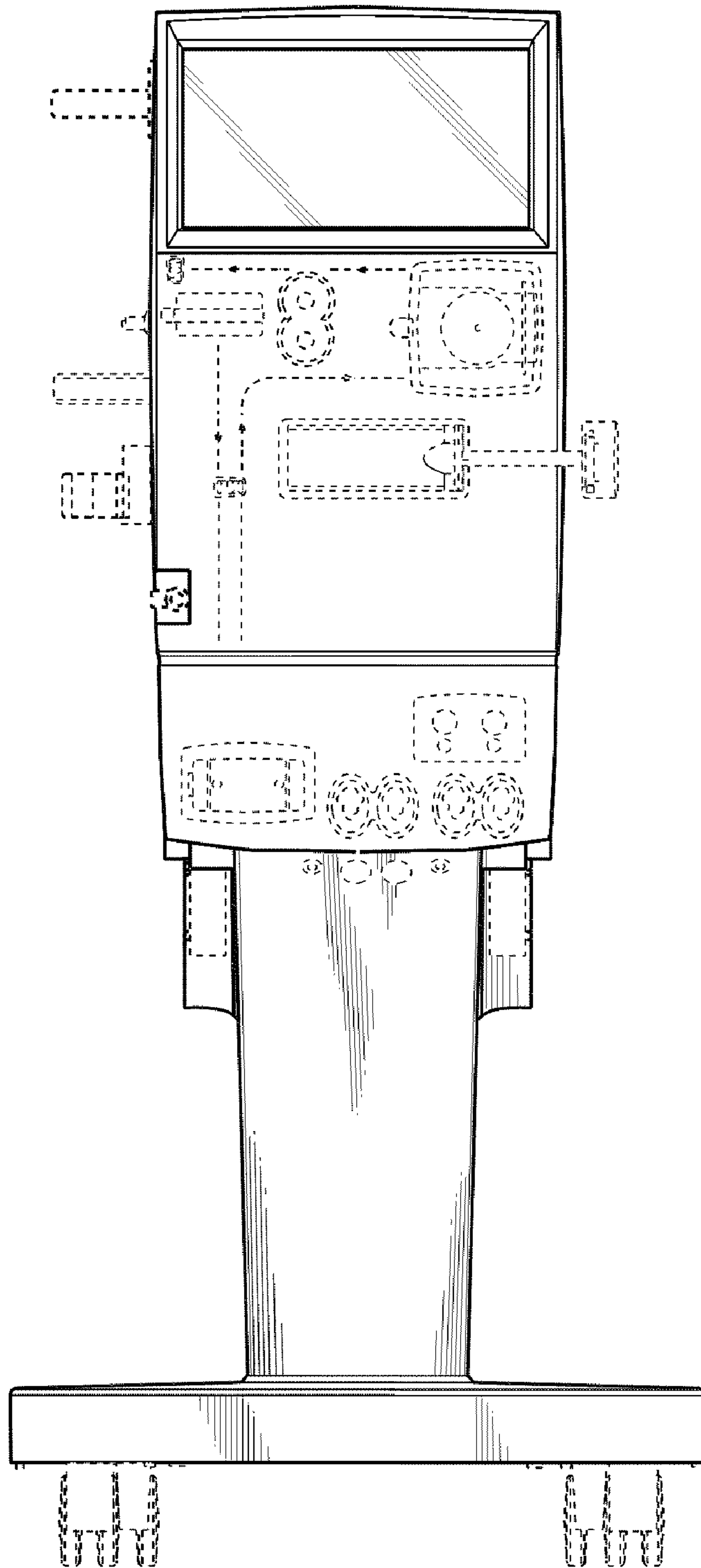


FIG. 2

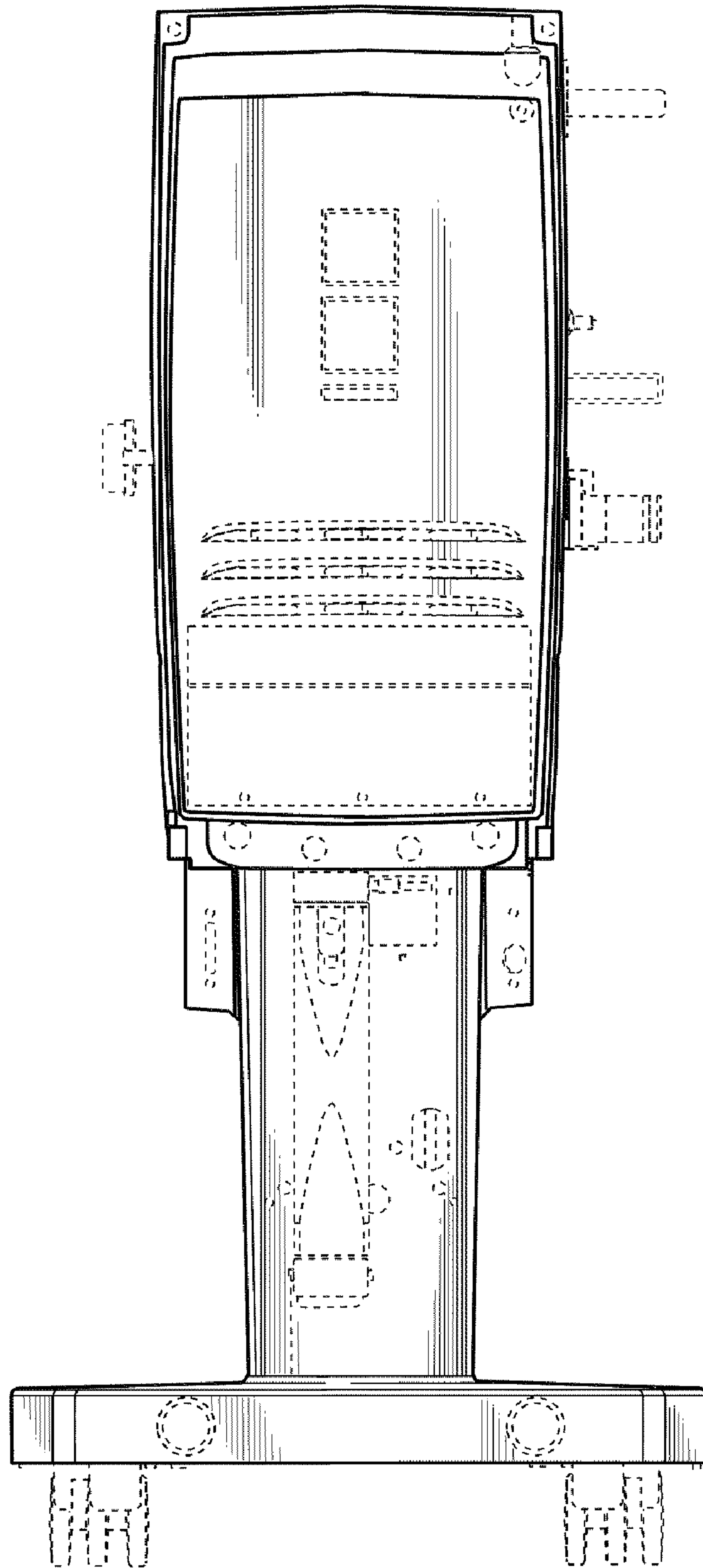


FIG. 3

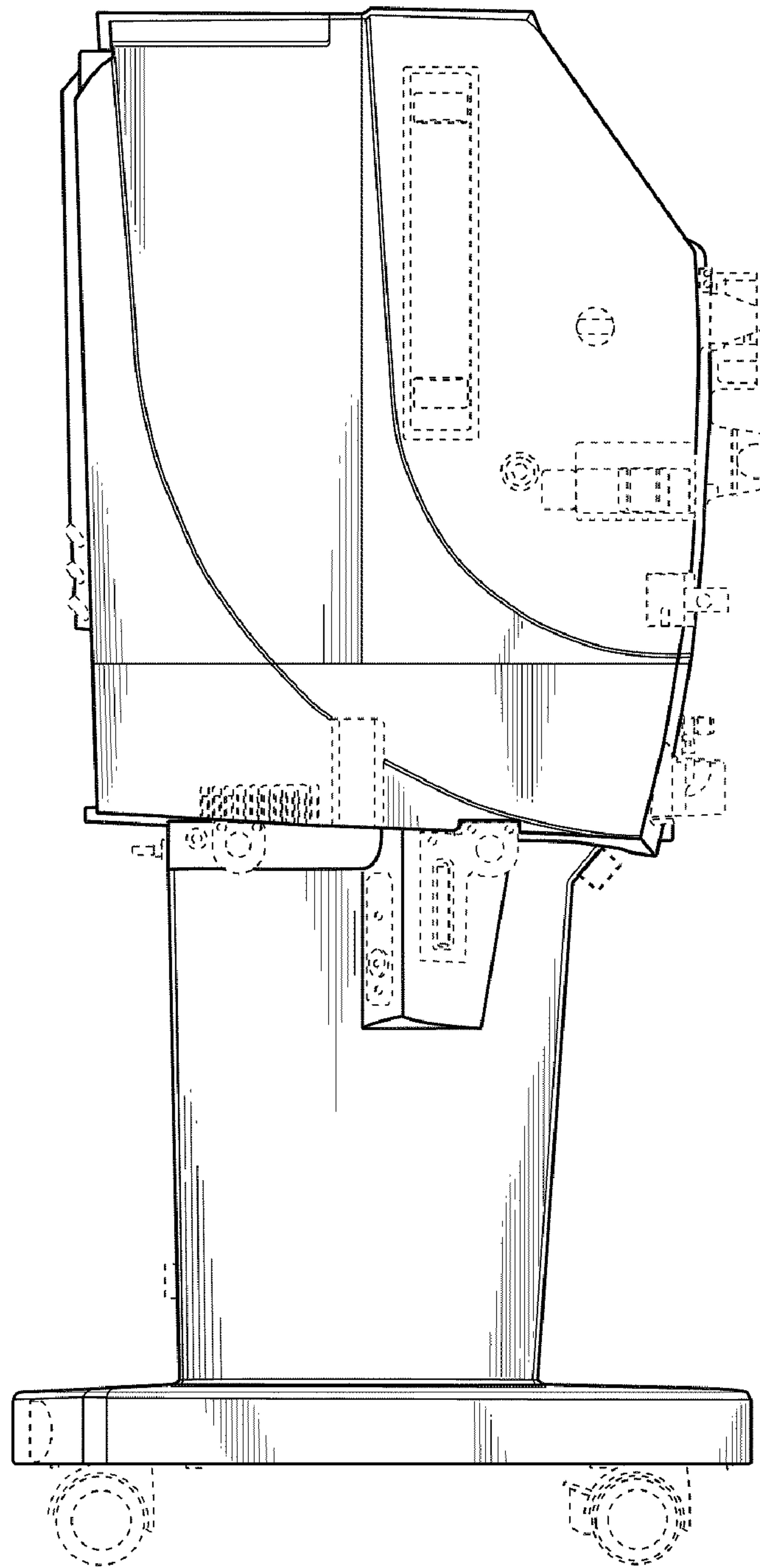


FIG. 4

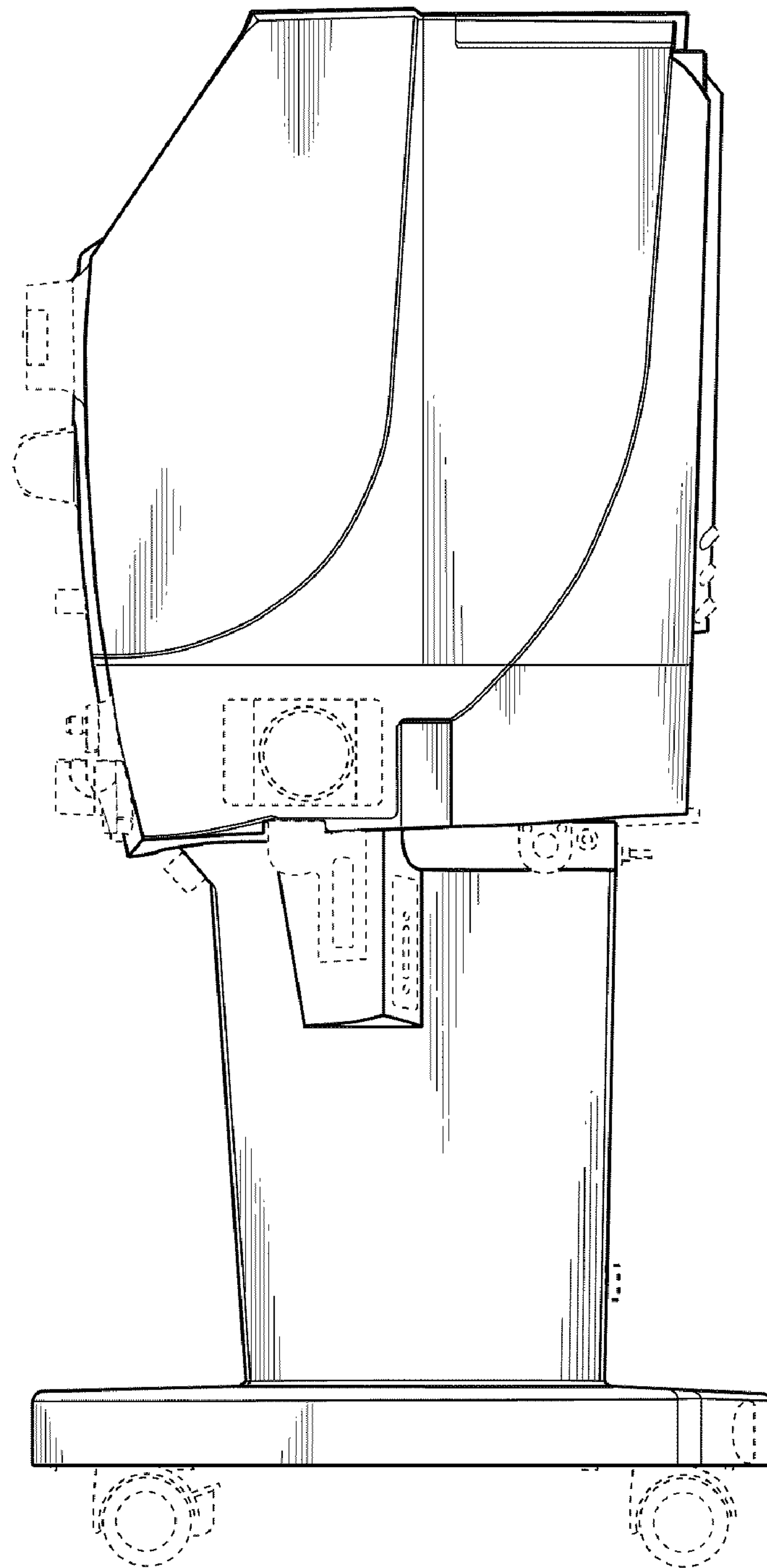


FIG. 5

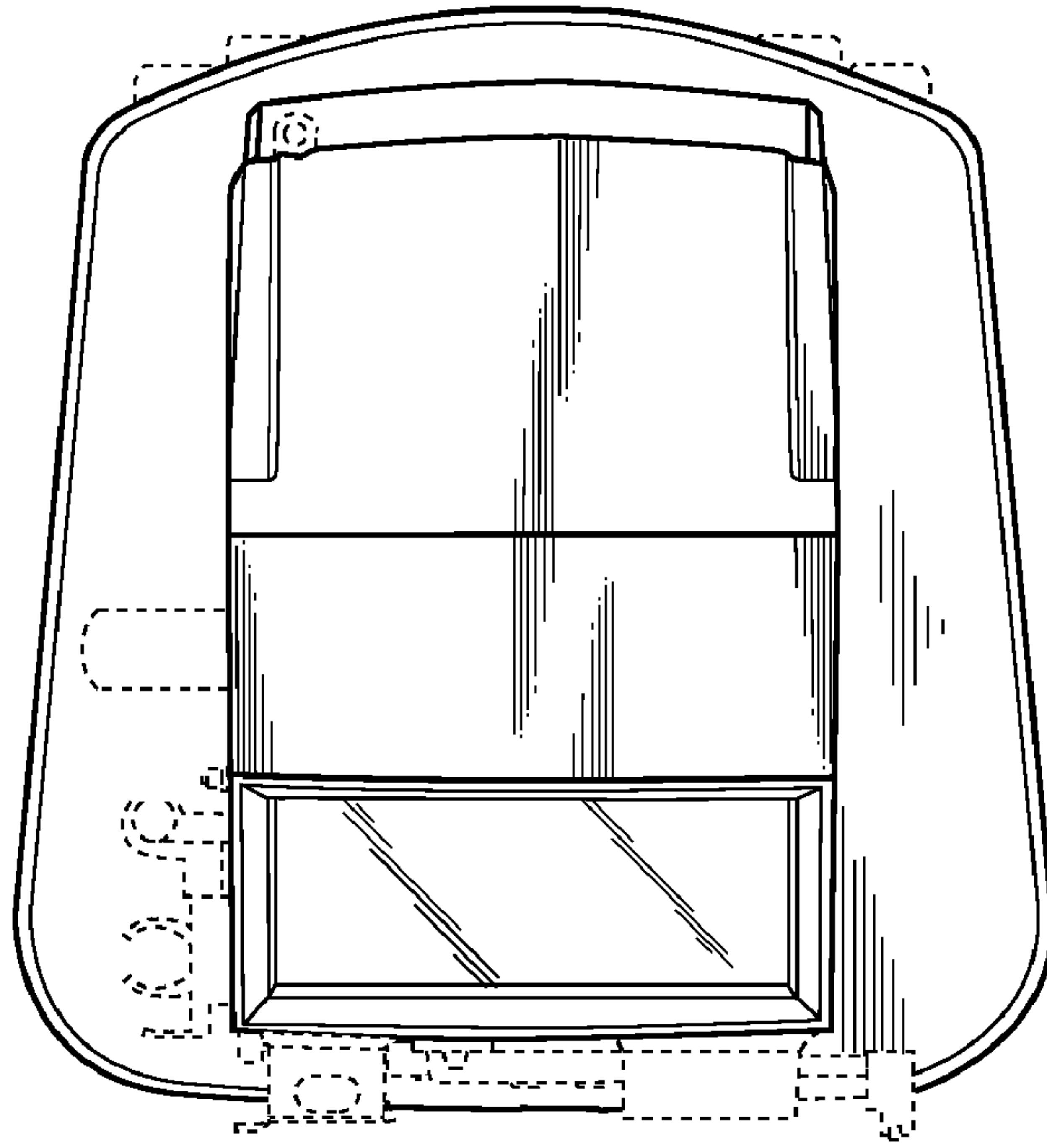


FIG. 6

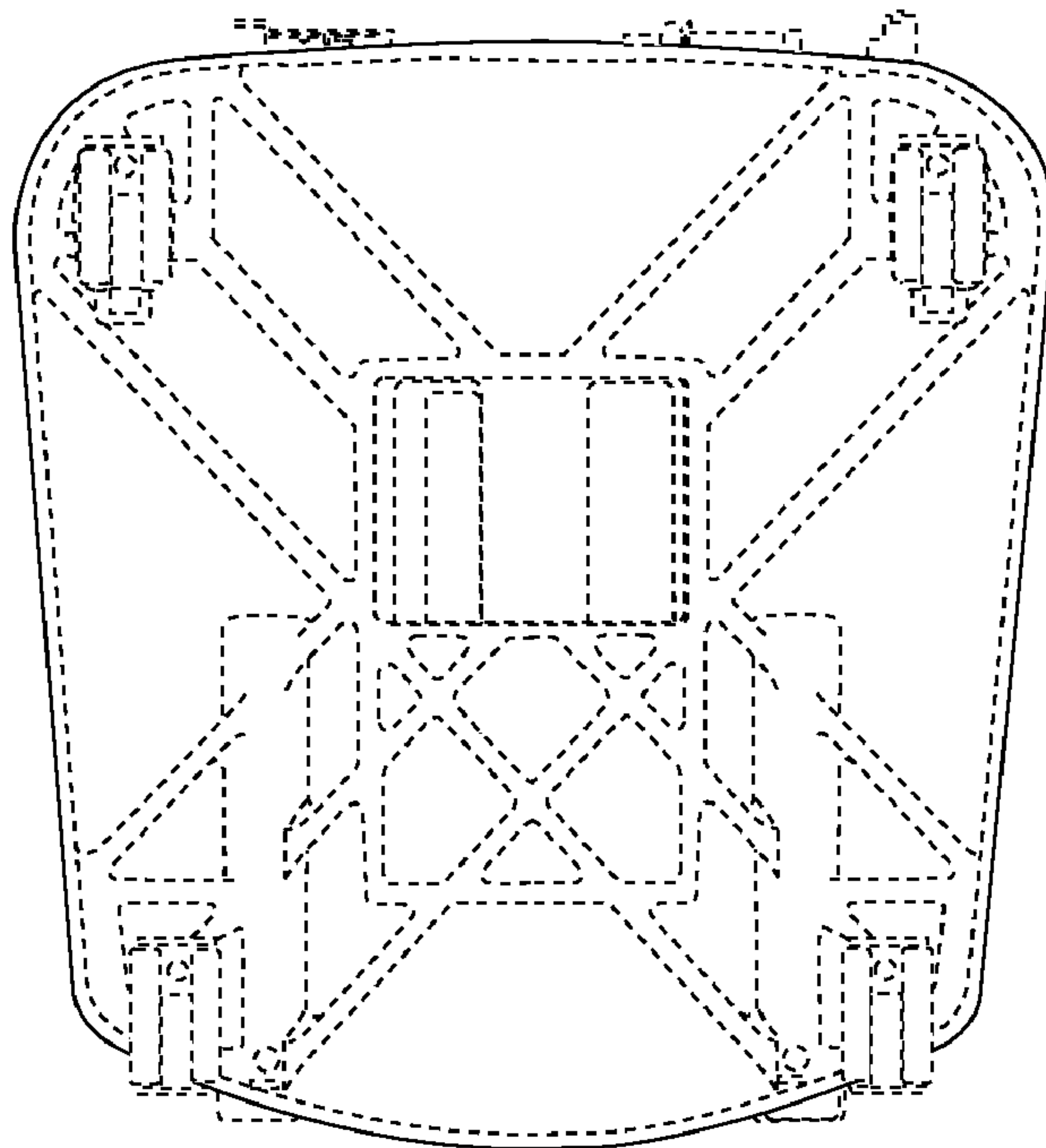


FIG. 7