



US00D611136S

(12) **United States Design Patent**  
**Orozco**

(10) **Patent No.:** **US D611,136 S**  
(45) **Date of Patent:** **\*\* Mar. 2, 2010**

(54) **COMBINED CEILING FAN WITH LIGHT**

D422,072 S 3/2000 Blateri  
D423,093 S 4/2000 Fok

(75) Inventor: **Sergio Orozco**, New York, NY (US)

(73) Assignee: **Chien Luen Industries, Co., Ltd., Inc.**,  
Oakland Park, FL (US)

(Continued)

(\*\*) Term: **14 Years**

*Primary Examiner*—Lisa P Lichtenstein

(21) Appl. No.: **29/328,518**

(74) *Attorney, Agent, or Firm*—Brian S. Steinberger; Law  
Offices of Brian S. Steinberger, P.A.

(22) Filed: **Nov. 25, 2008**

(57) **CLAIM**

**Related U.S. Application Data**

(63) Continuation-in-part of application No. 29/320,382,  
filed on Jun. 26, 2008, now Pat. No. Des. 586,902.

The ornamental design for a combined ceiling fan with light,  
as shown and described.

(51) **LOC (9) Cl.** ..... **23-04**

(52) **U.S. Cl.** ..... **D23/377**

(58) **Field of Classification Search** ..... D23/377,  
D23/379, 385, 411, 413; 416/5

See application file for complete search history.

**DESCRIPTION**

FIG. 1 is a lower front side perspective view of a combined  
ceiling fan with light.

FIG. 2 is an upper front side perspective view of the fan and  
light design of FIG. 1.

FIG. 3 is a front side view of the fan and light design of FIG.  
1.

FIG. 4 is a rear side view of the fan and light design of FIG. 1.

FIG. 5 is a right side view of the fan and light design of FIG.  
1.

FIG. 6 is a left side view of the fan and light design of FIG. 1.

FIG. 7 is a reduced top view of the fan and light design of FIG.  
1; and,

FIG. 8 is a reduced bottom view of the fan and light design of  
FIG. 1.

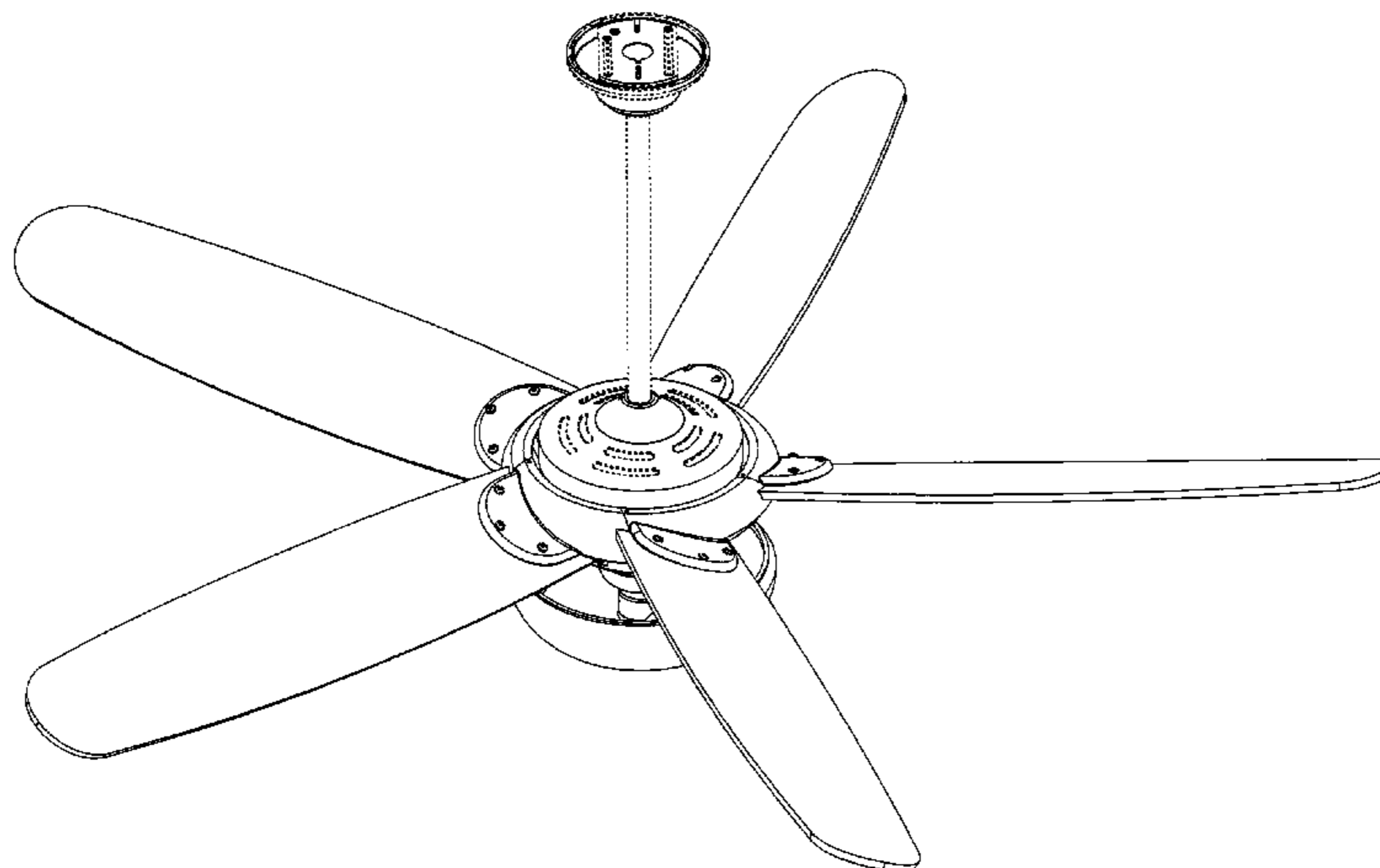
The broken line showing of the canopy, support rod, fan  
blades, motor vent openings and blade end fasteners is  
included for the purpose of illustrating environmental struc-  
ture and forms no part of the claimed design.

(56) **References Cited**

**U.S. PATENT DOCUMENTS**

4,474,407 A	10/1984	Nazar	
D307,320 S	4/1990	Shin-Chin	
D322,669 S	12/1991	Yamamoto et al.	
D323,885 S	2/1992	Wortham	
D329,284 S	9/1992	Patton	
D345,865 S	4/1994	Trintori	
D361,377 S *	8/1995	Tsuji	..... D23/377
D364,224 S	11/1995	Wang	
D371,838 S	7/1996	Davis, Jr. et al.	
D378,404 S	3/1997	Jaspers-Fayer	
D384,738 S	10/1997	Jane	
D402,026 S	12/1998	Chuang et al.	
D408,518 S	4/1999	Liu	
D411,295 S	6/1999	Evans	
D411,688 S	6/1999	Horton	
D412,571 S	8/1999	Lee	
D414,856 S	10/1999	Zuege	
D416,617 S	11/1999	Jane et al.	
D421,799 S	3/2000	Zuege	

**1 Claim, 8 Drawing Sheets**



# US D611,136 S

Page 2

## U.S. PATENT DOCUMENTS

D426,296 S	6/2000	Blateri	D483,466 S	12/2003	Shapiro
D426,631 S	6/2000	Thakur	D484,234 S	12/2003	Wilson, Jr.
D426,879 S	6/2000	Gajewski	D486,216 S	2/2004	Wilson, Jr.
D427,822 S	7/2000	Greger	D486,217 S	2/2004	Shapiro
D443,352 S	6/2001	Lantz	D486,218 S	2/2004	Shapiro
D444,552 S	7/2001	Wang	D486,222 S	2/2004	Shapiro
D450,831 S *	11/2001	Hsieh ..... D23/377	D488,551 S	4/2004	Shapiro
D451,997 S	12/2001	Schwartz	D495,817 S	9/2004	Bucher et al.
D454,636 S	3/2002	Lantz	D496,119 S	9/2004	Bucher et al.
D459,467 S	6/2002	Wilson, Jr.	D497,022 S	10/2004	Bucher et al.
D462,756 S	9/2002	Liu	D500,160 S	12/2004	Bucher et al.
D464,723 S	10/2002	Fok	D500,161 S	12/2004	Bucher et al.
D469,950 S	2/2003	Scalise et al.	D500,876 S	1/2005	Bucher et al.
D479,874 S	9/2003	Shapiro	7,008,013 B2	3/2006	Okamoto
D480,466 S	10/2003	Bucher et al.	D557,793 S *	12/2007	Curtin ..... D23/411
D480,471 S	10/2003	Hsieh	D586,902 S *	2/2009	Orozco ..... D23/411
D482,778 S	11/2003	Shapiro	2005/0104422 A1	5/2005	Okamoto

\* cited by examiner

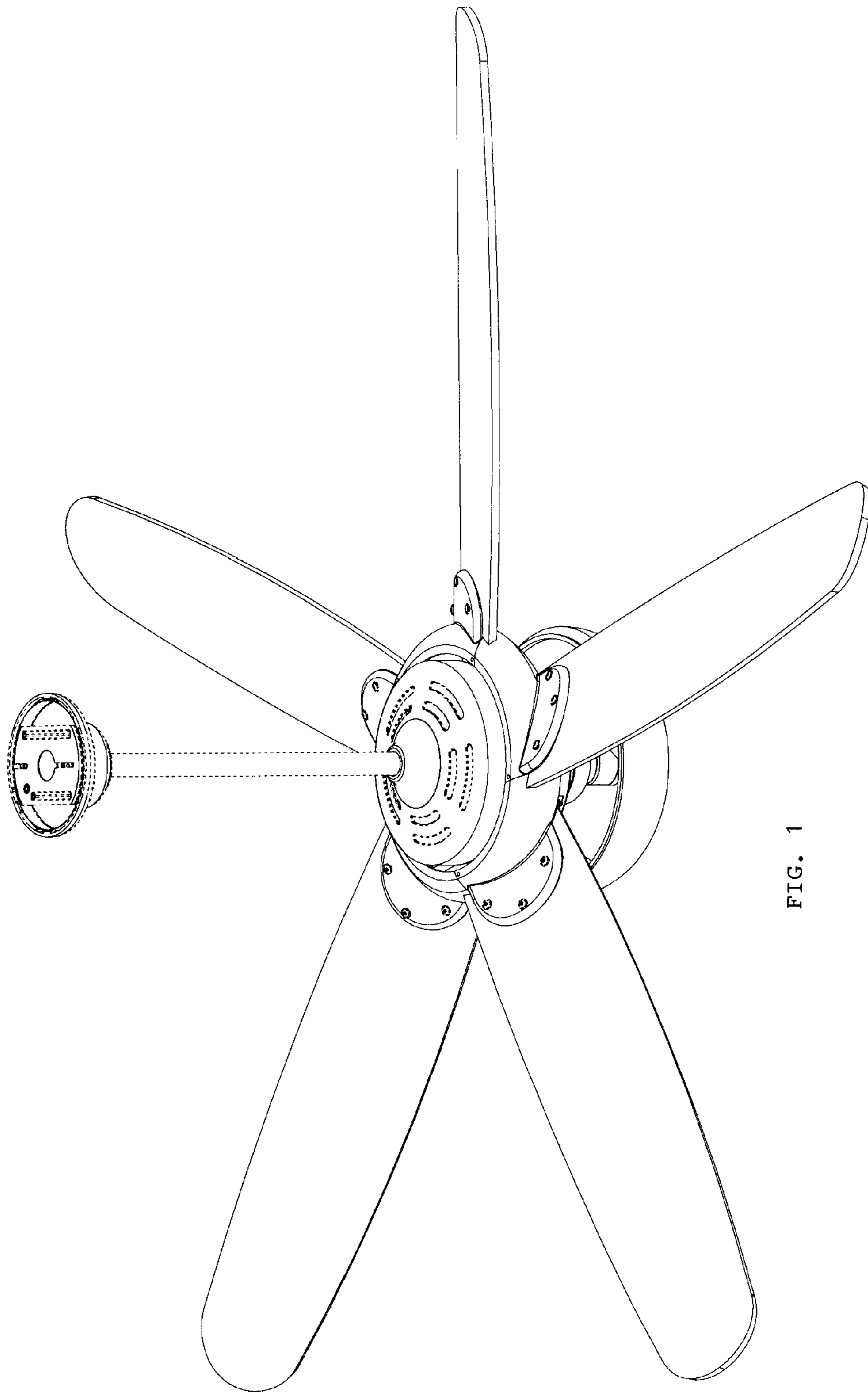


FIG. 1

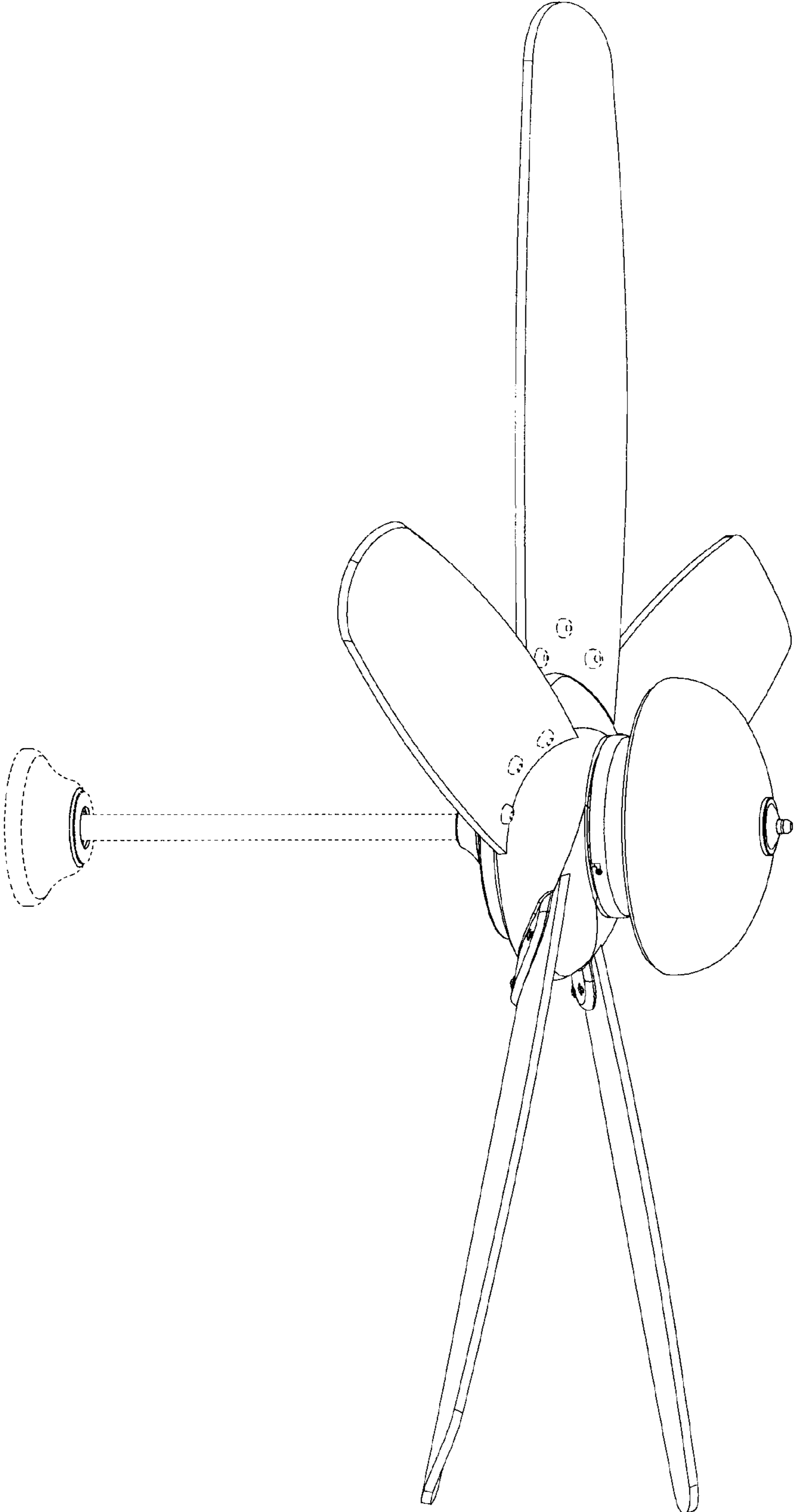


FIG. 2

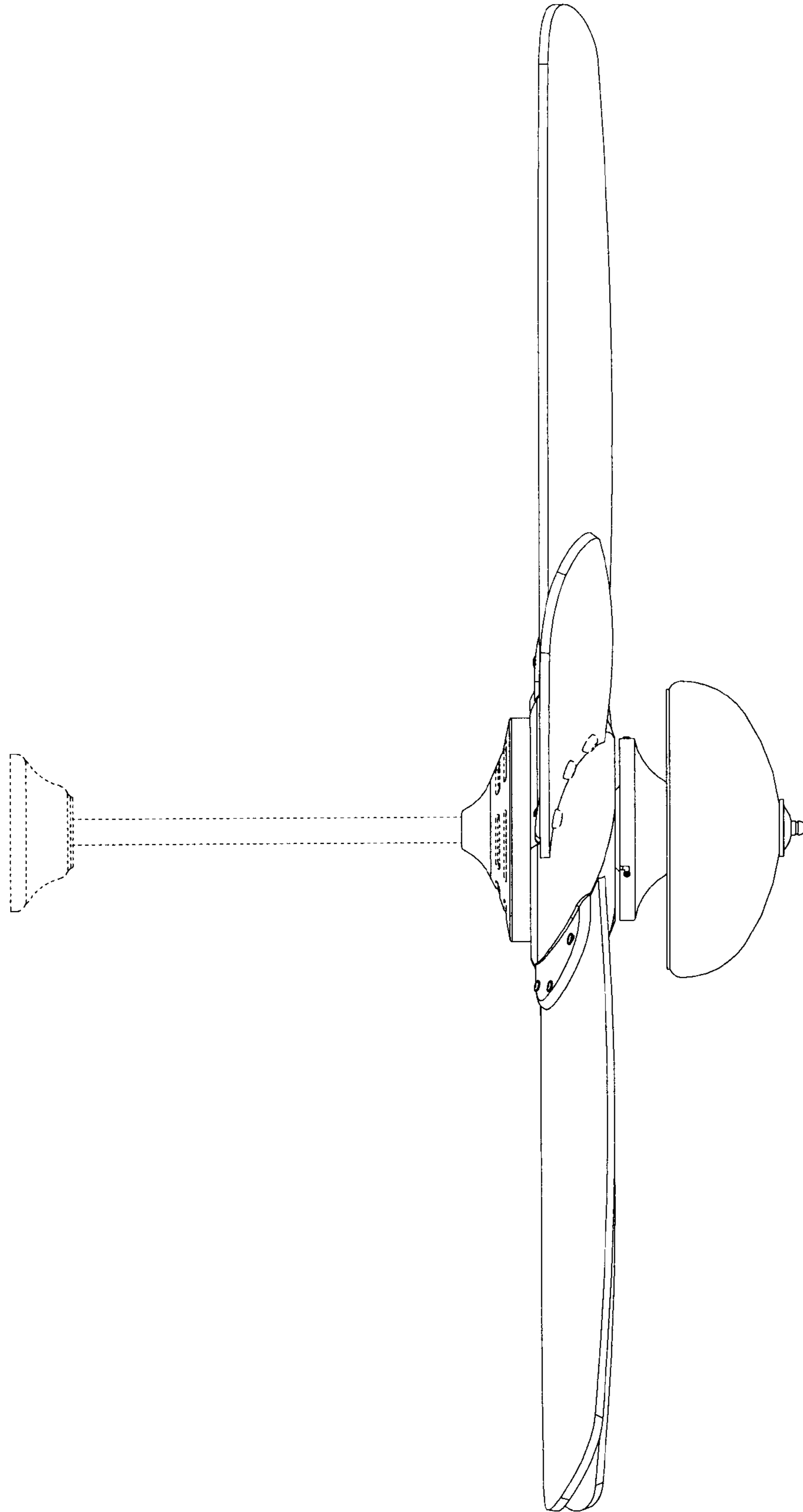


FIG. 3

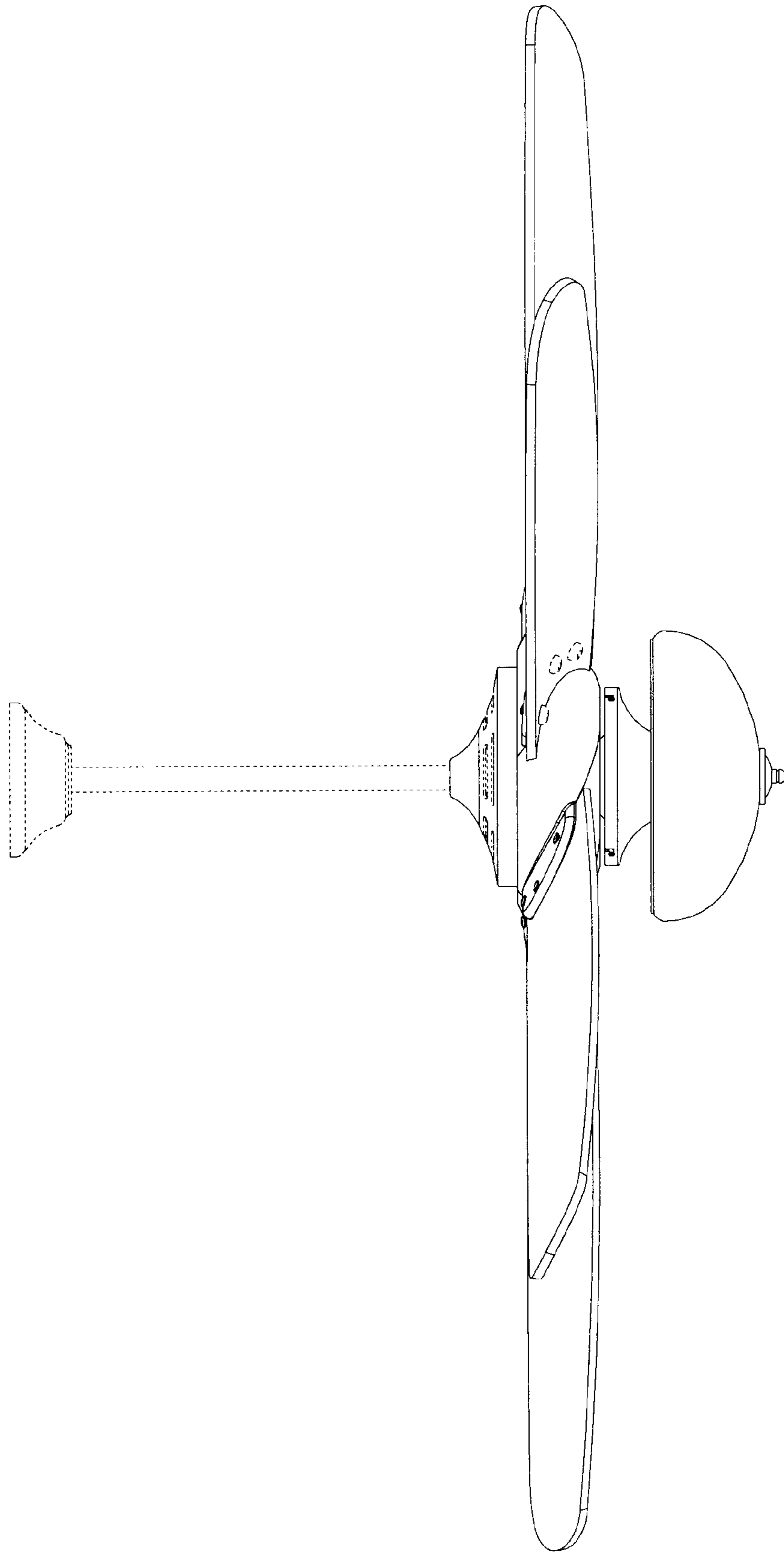


FIG. 4

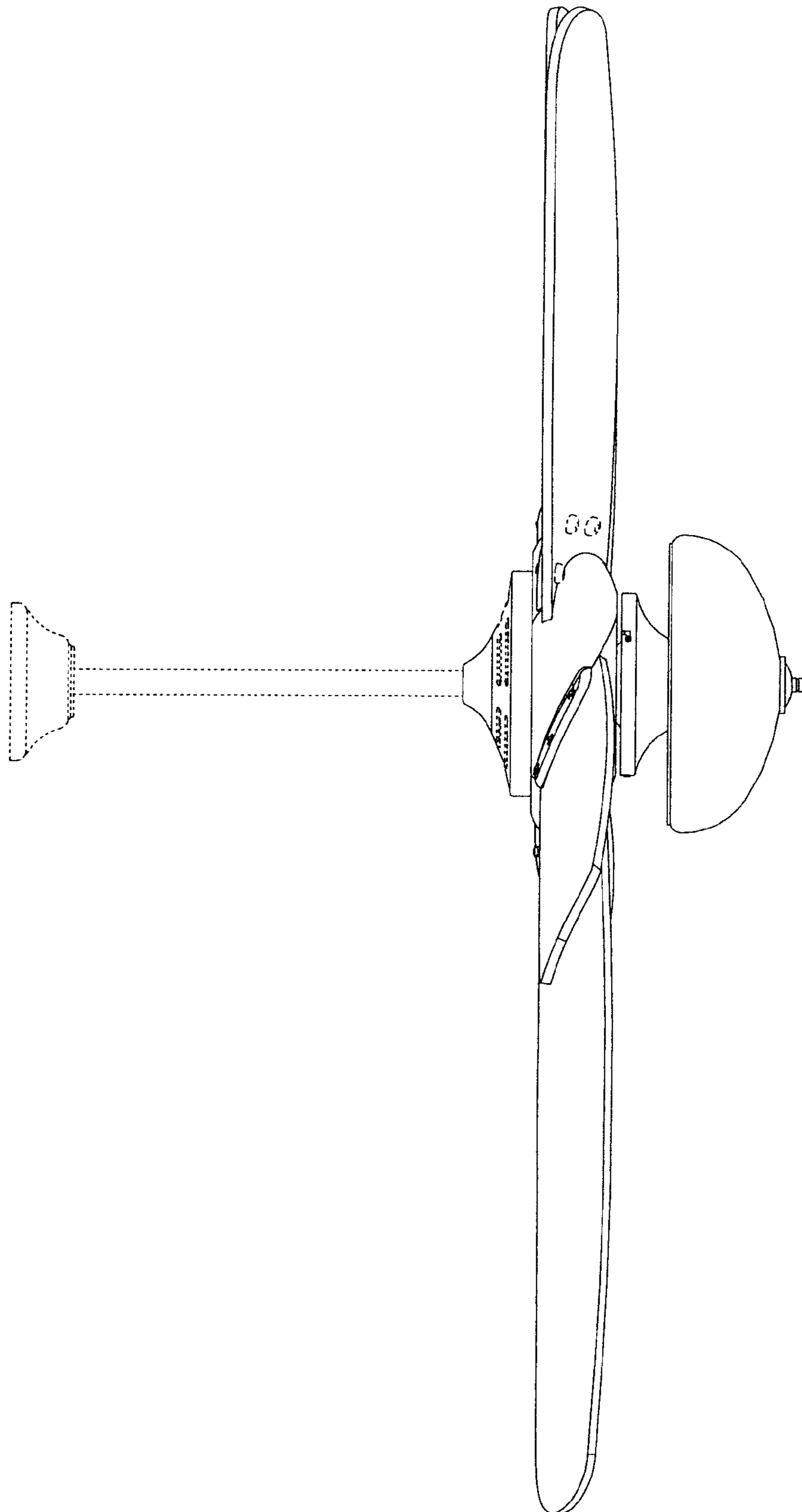


FIG. 5

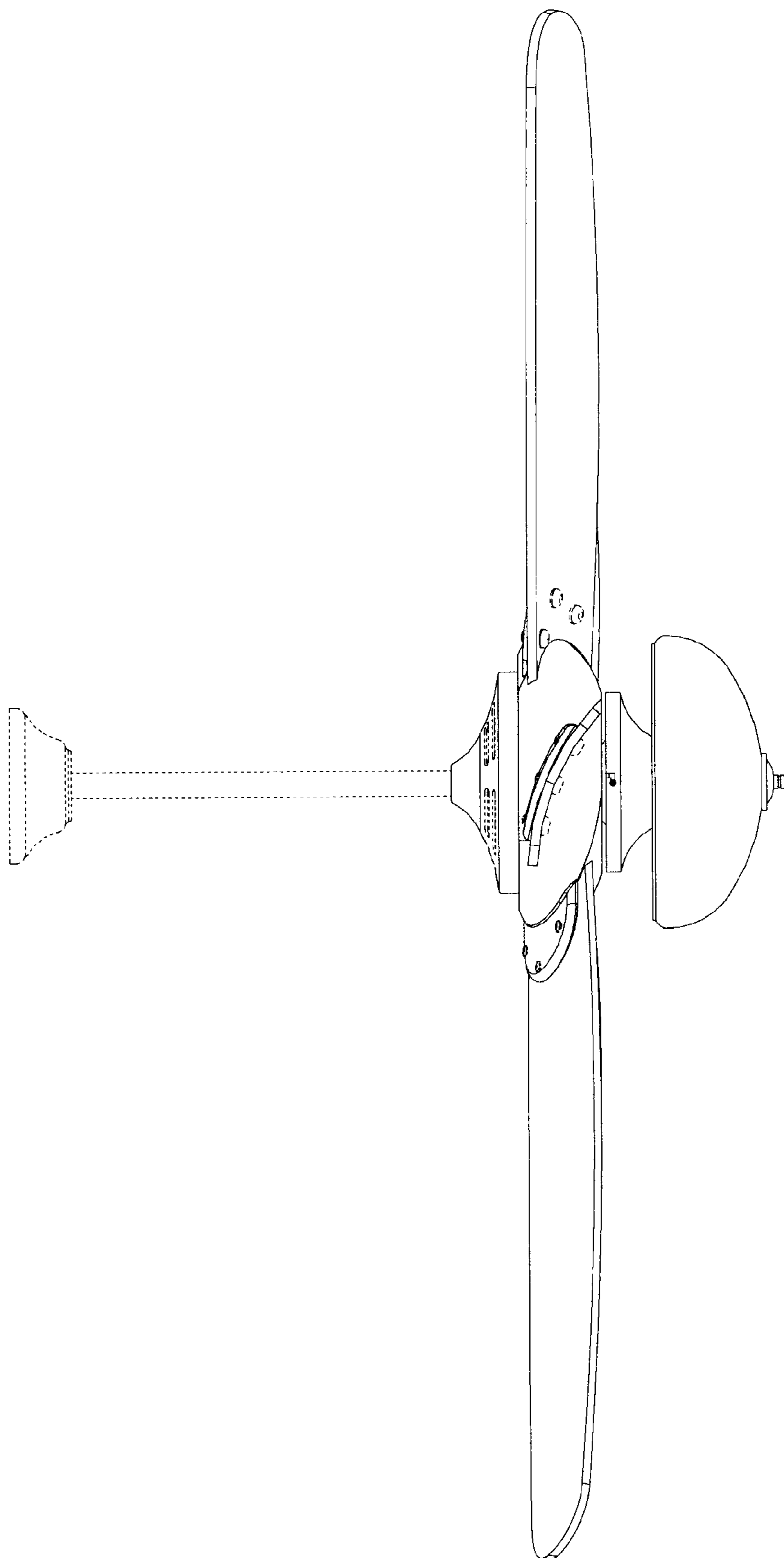


FIG. 6



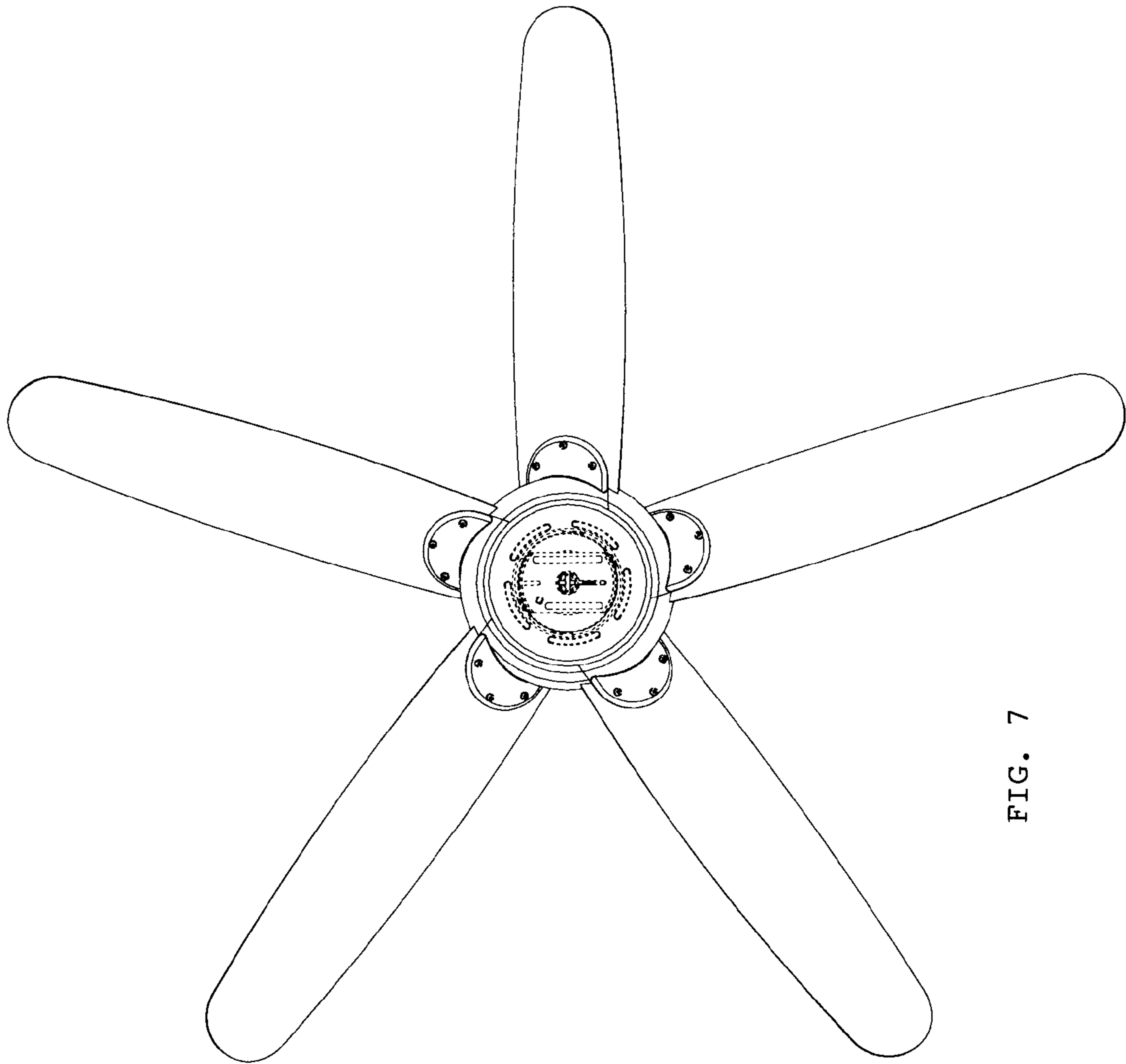


FIG. 7

