



US00D611135S

(12) **United States Design Patent**  
**Paolazzi et al.**

(10) **Patent No.:** **US D611,135 S**  
(45) **Date of Patent:** **\*\* Mar. 2, 2010**

(54) **DIFFUSING EVAPORATOR OF ACTIVE SUBSTANCES**

(75) Inventors: **Gianluca Paolazzi**, Trento (IT); **Andrea Pedrotti**, Trento (IT)

(73) Assignee: **Zobe Holding SpA**, Trento (IT)

(\*\*) Term: **14 Years**

(21) Appl. No.: **29/331,369**

(22) Filed: **Jan. 23, 2009**

(30) **Foreign Application Priority Data**

Jul. 23, 2008 (EM) ..... 000975347

(51) **LOC (9) Cl.** ..... **28-99**

(52) **U.S. Cl.** ..... **D23/366**

(58) **Field of Classification Search** ..... D23/355-369;  
261/DIG. 17, DIG. 42, DIG. 65, DIG. 88,  
261/DIG. 89; 239/34-36, 44-45, 53-54,  
239/56-57, 60, 136, 152, 302, 326; 392/386,  
392/390, 392, 394, 395; D28/5, 6  
See application file for complete search history.

(56) **References Cited**

**U.S. PATENT DOCUMENTS**

D393,063 S *	3/1998	Wefler	.....	D23/366
D424,185 S *	5/2000	Brown et al.	.....	D23/368
D437,636 S *	2/2001	Basaganas	.....	D23/366
D461,549 S *	8/2002	Garcia	.....	D23/360
D469,862 S *	2/2003	Cruver et al.	.....	D23/366
D477,065 S *	7/2003	Loncjak et al.	.....	D23/366
D489,123 S *	4/2004	Basaganas Millan	.....	D23/366
D501,546 S *	2/2005	Cruver et al.	.....	D23/366
D502,540 S *	3/2005	Cruver et al.	.....	D23/366
D508,558 S *	8/2005	Wolpert et al.	.....	D23/366
D510,423 S *	10/2005	Caserta et al.	.....	D23/366
D511,823 S *	11/2005	Caserta et al.	.....	D23/366
D512,136 S *	11/2005	Wefler	.....	D23/366
D512,769 S *	12/2005	Wefler	.....	D23/366
D516,691 S *	3/2006	Caserta et al.	.....	D23/366

D518,565 S *	4/2006	Chen	.....	D23/366
D520,128 S *	5/2006	Caserta et al.	.....	D23/366
D533,930 S *	12/2006	Keller et al.	.....	D23/366
D551,750 S *	9/2007	Wefler	.....	D23/366
D561,883 S *	2/2008	Cantoni et al.	.....	D23/366
D568,454 S *	5/2008	Bellofatto et al.	.....	D23/366
D568,455 S *	5/2008	Friedman et al.	.....	D23/366
D574,941 S *	8/2008	Weggelaar	.....	D23/366

\* cited by examiner

*Primary Examiner*—Sandra Snapp

(74) *Attorney, Agent, or Firm*—Knobbe Martens Olson & Bear LLP

(57) **CLAIM**

The ornamental design for a diffusing evaporator of active substances, as shown and described.

**DESCRIPTION**

FIG. 1 is a perspective view of a diffusing evaporator of active substances showing top, front, and right sides of our new design.

FIG. 2 is a perspective view showing rear and left sides thereof.

FIG. 3 is a perspective view showing bottom and right sides thereof.

FIG. 4 is a left side elevational view thereof.

FIG. 5 is a top plan view thereof.

FIG. 6 is a front elevational view thereof.

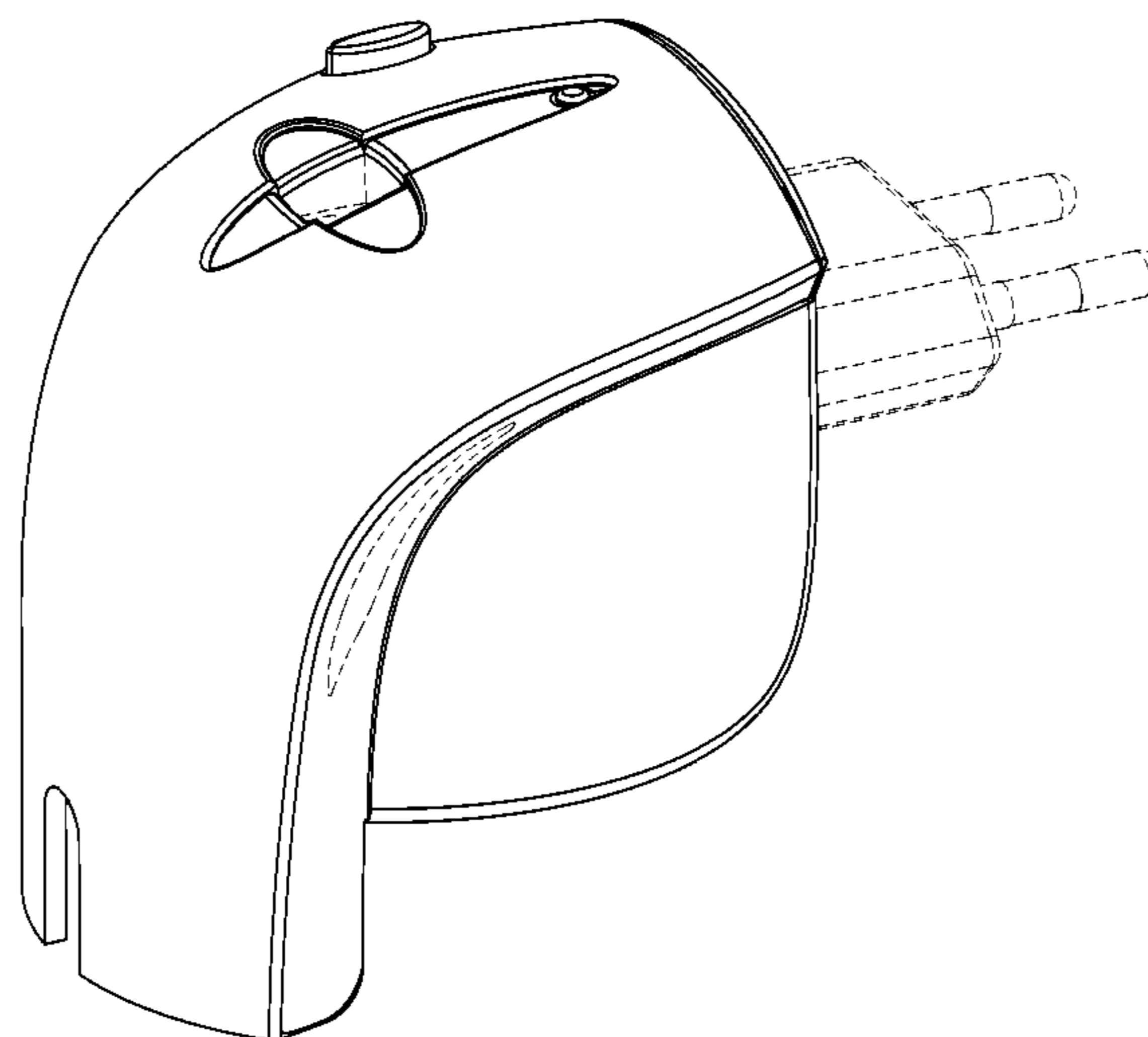
FIG. 7 is a right side elevational view thereof.

FIG. 8 is a bottom plan view thereof; and,

FIG. 9 is a rear elevational view thereof.

The broken lines shown in the drawings are for illustrative purposes only and form no part of the claimed design. The broken lines are used to depict one example of an electrical plug configuration that can be used with the design for diffusing evaporator of active substances.

**1 Claim, 9 Drawing Sheets**



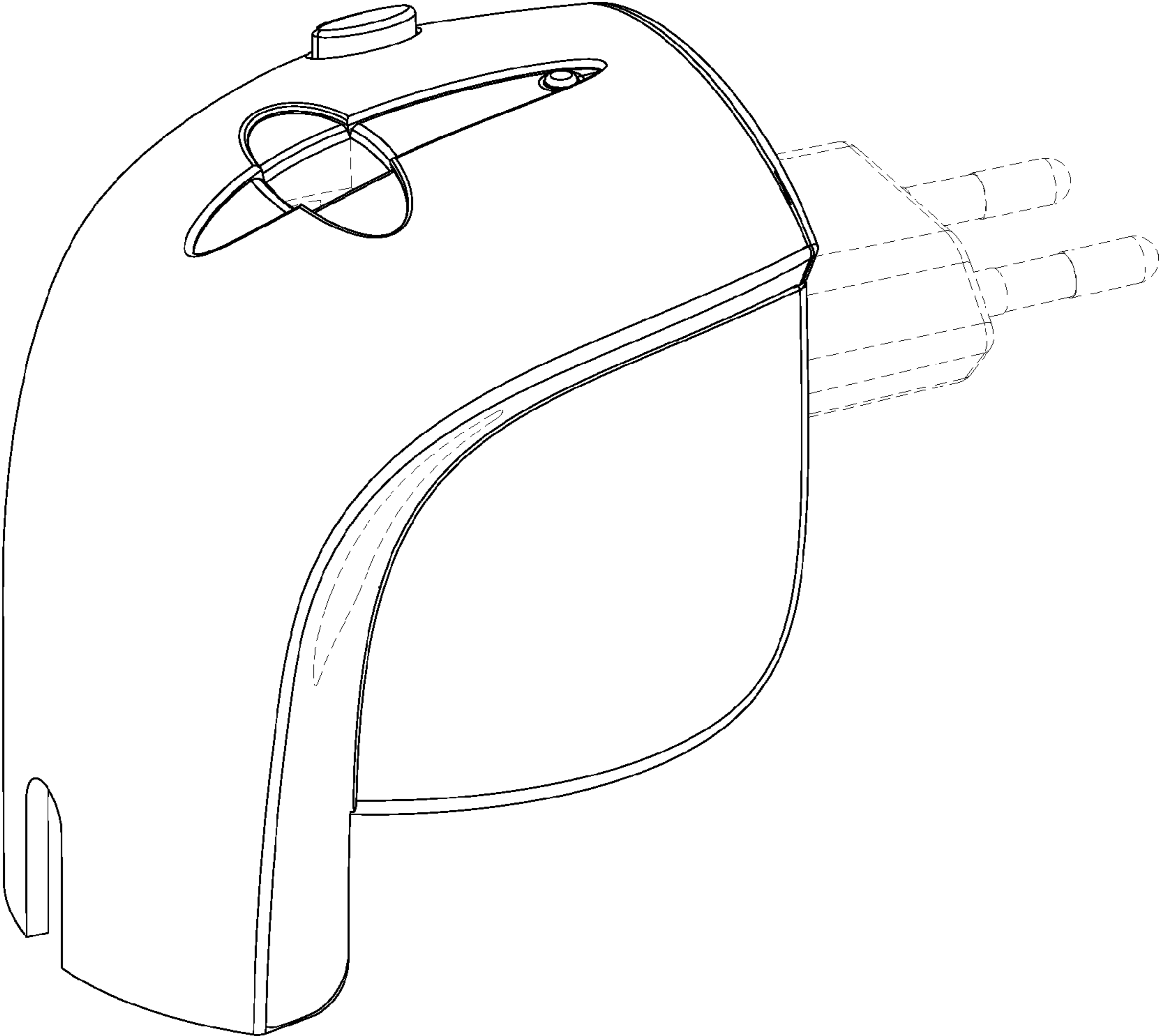


FIG. 1

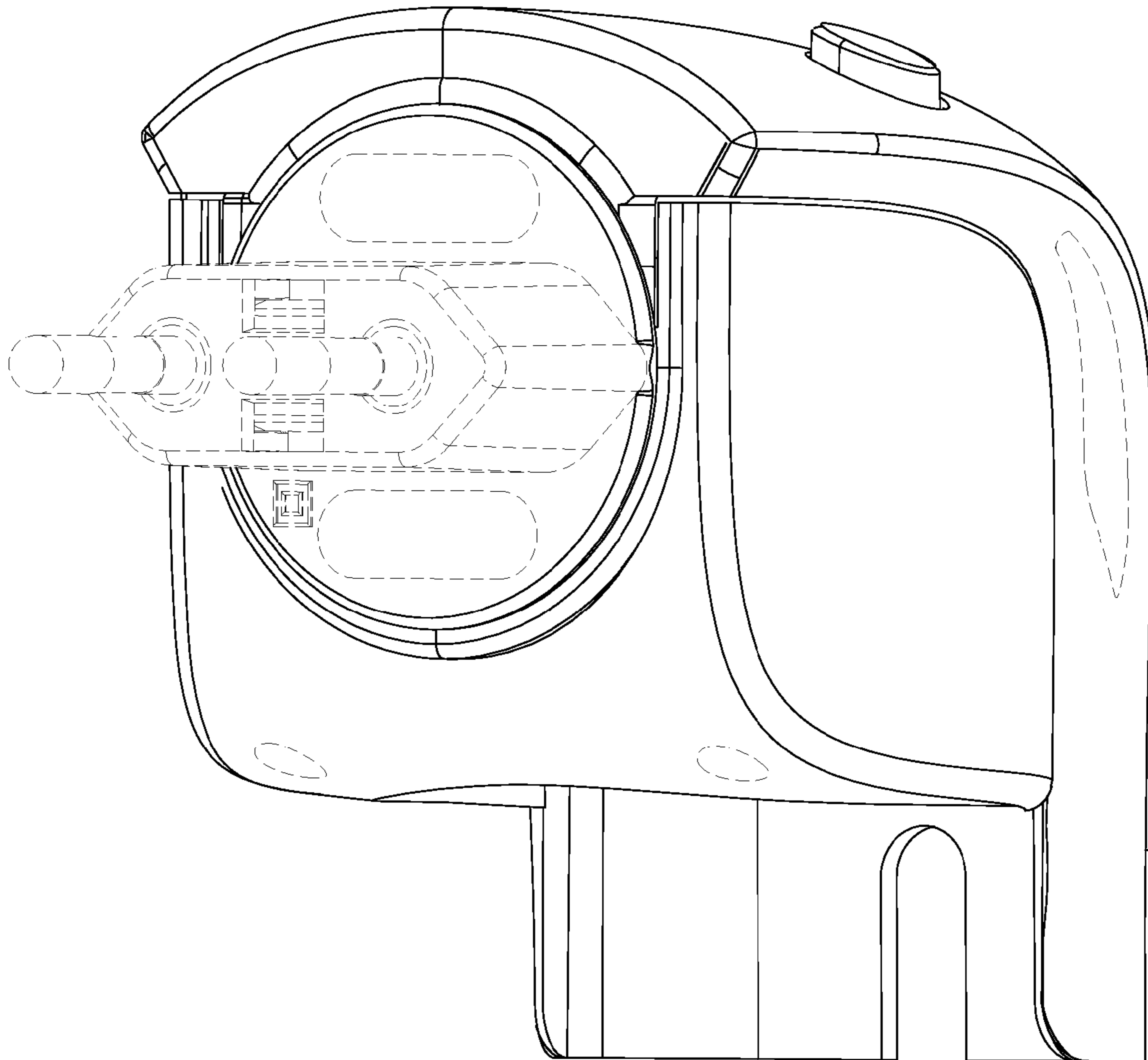


FIG. 2

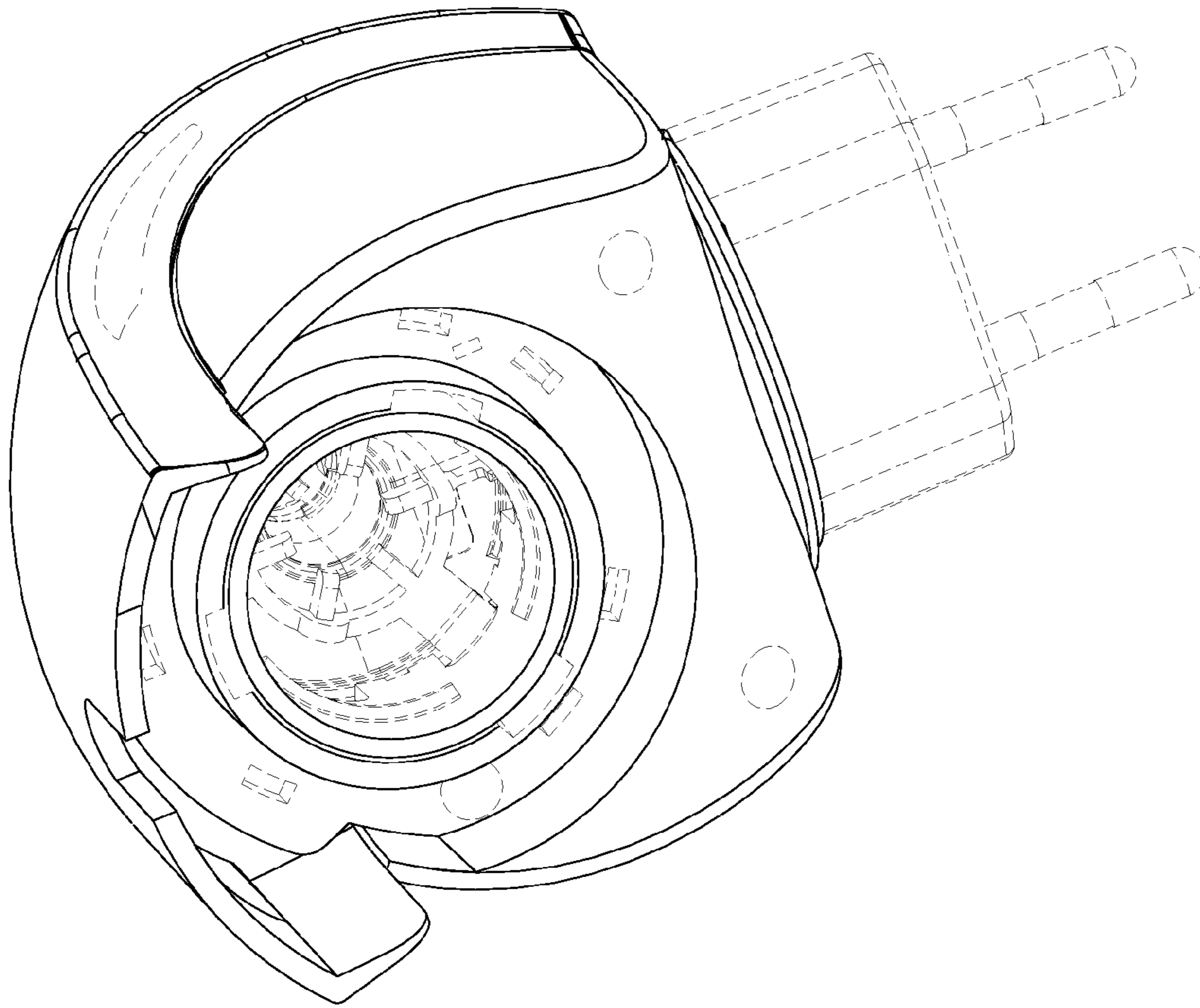


FIG. 3

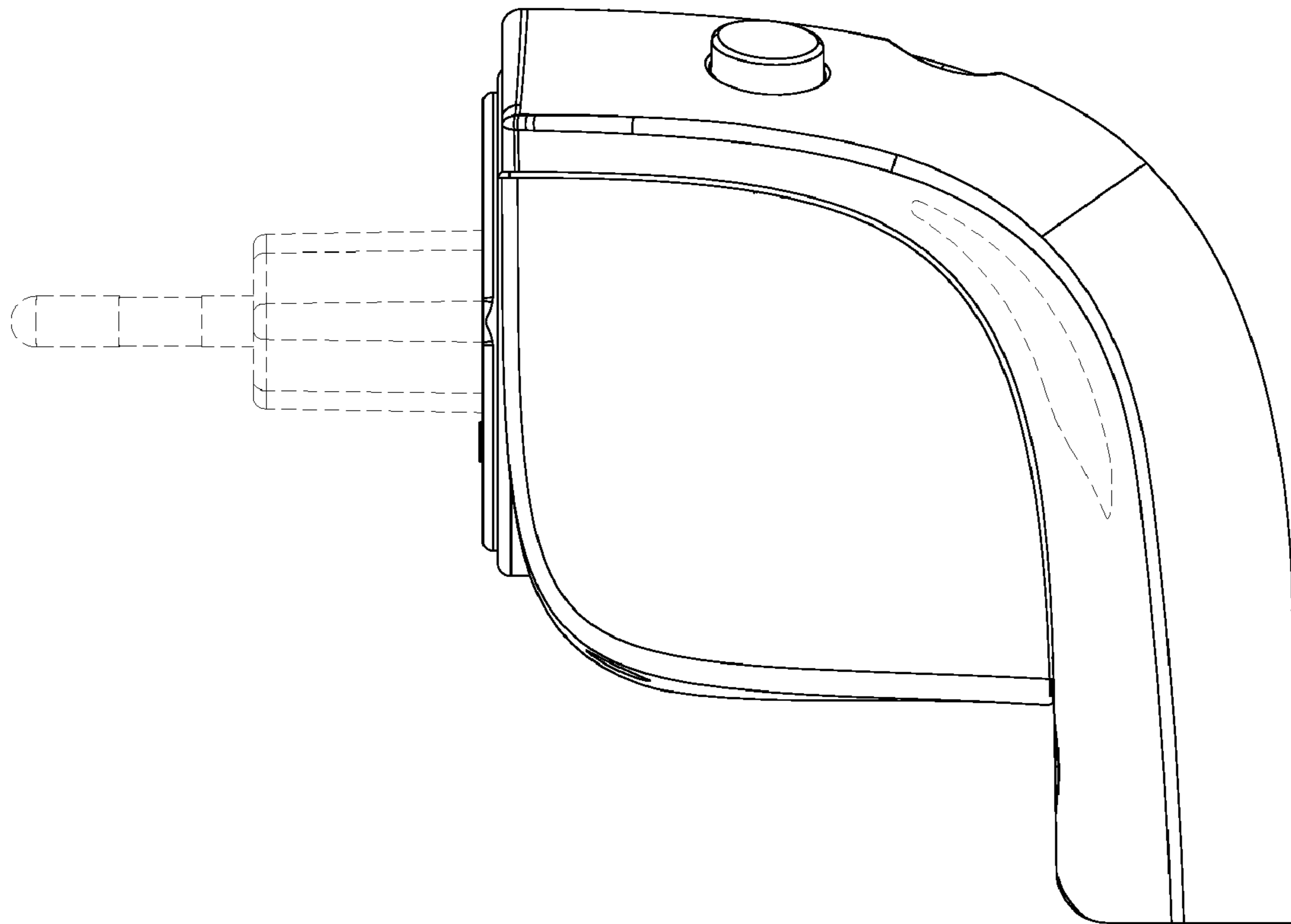


FIG. 4

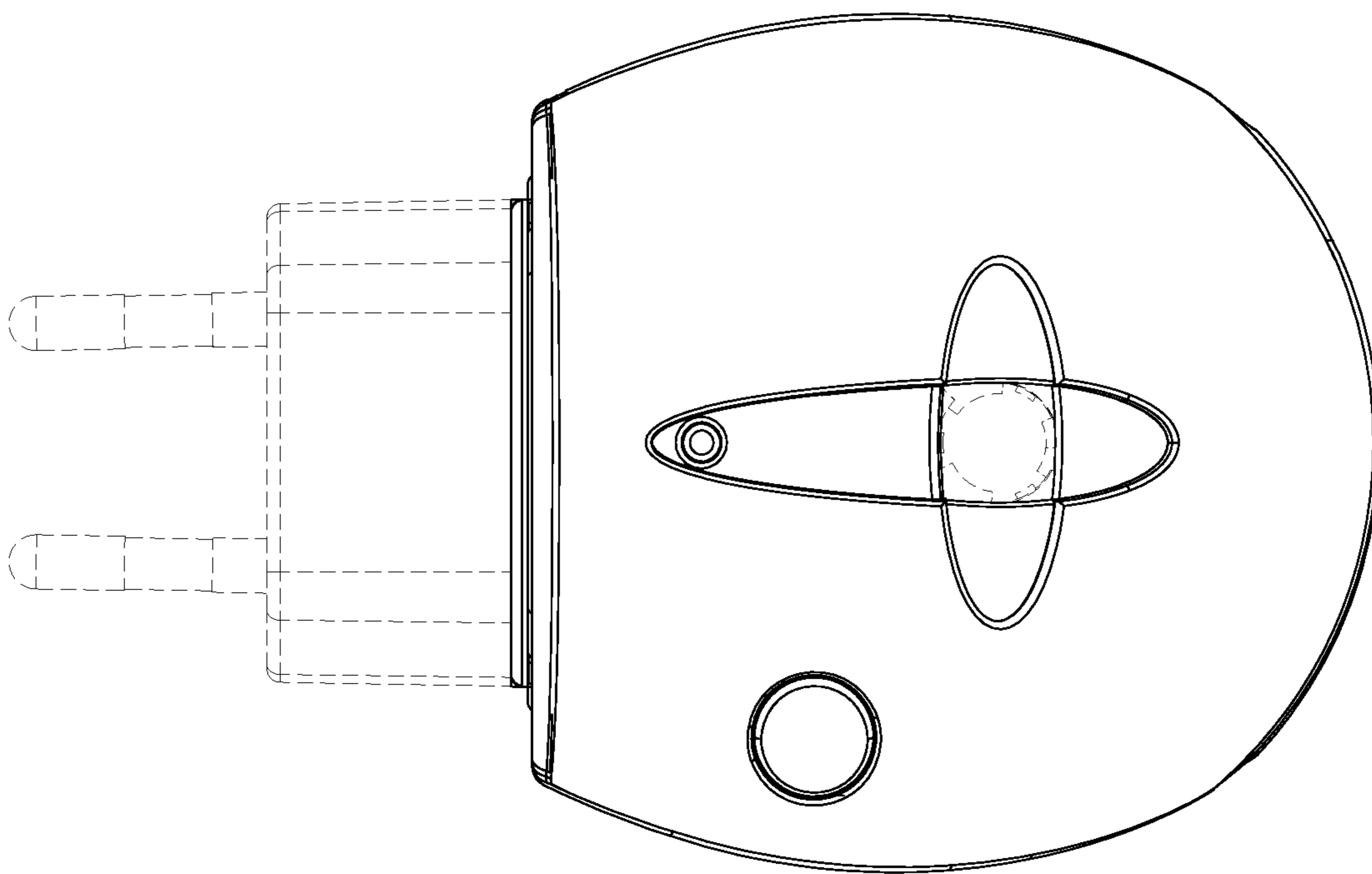


FIG. 5

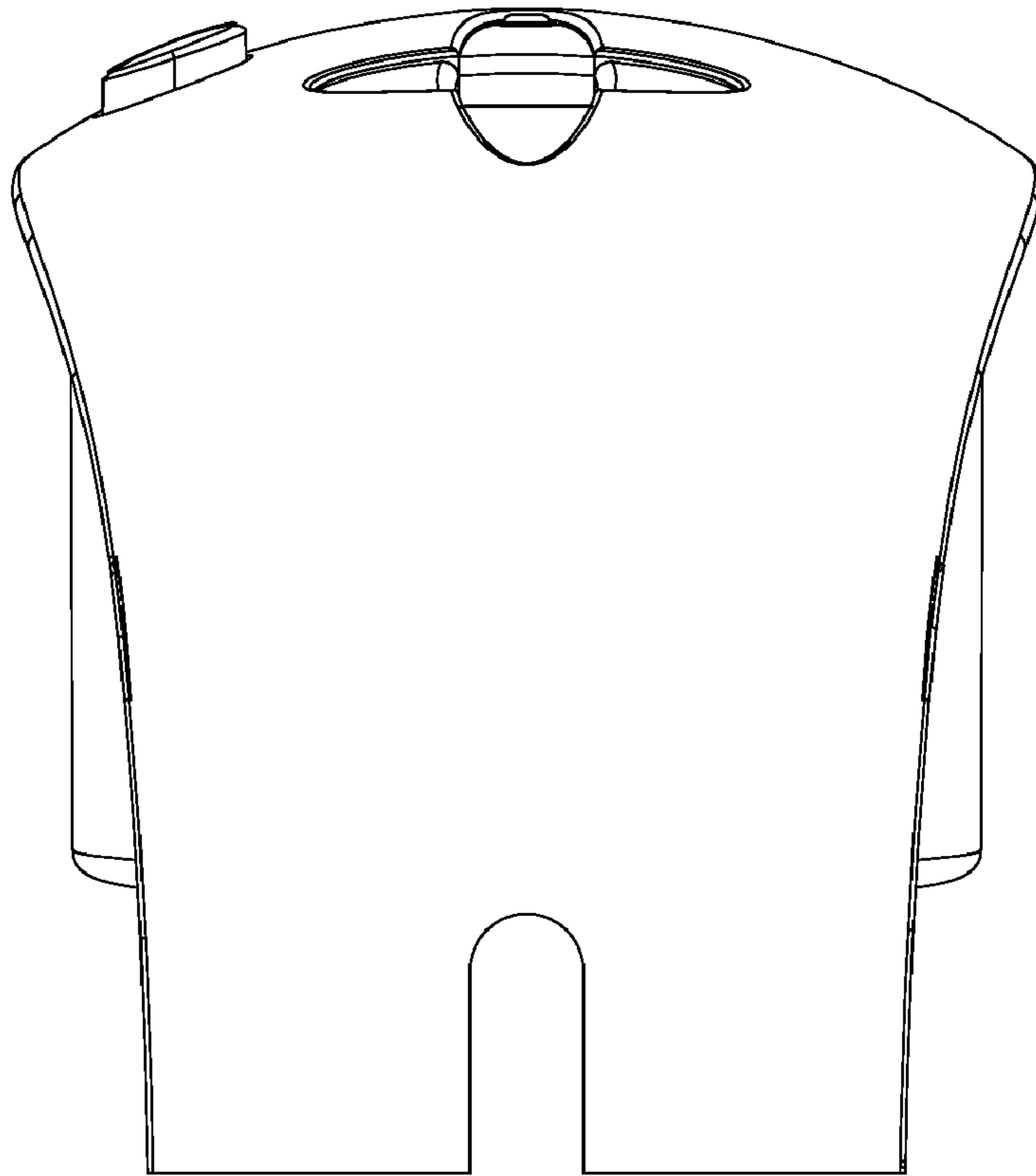


FIG. 6

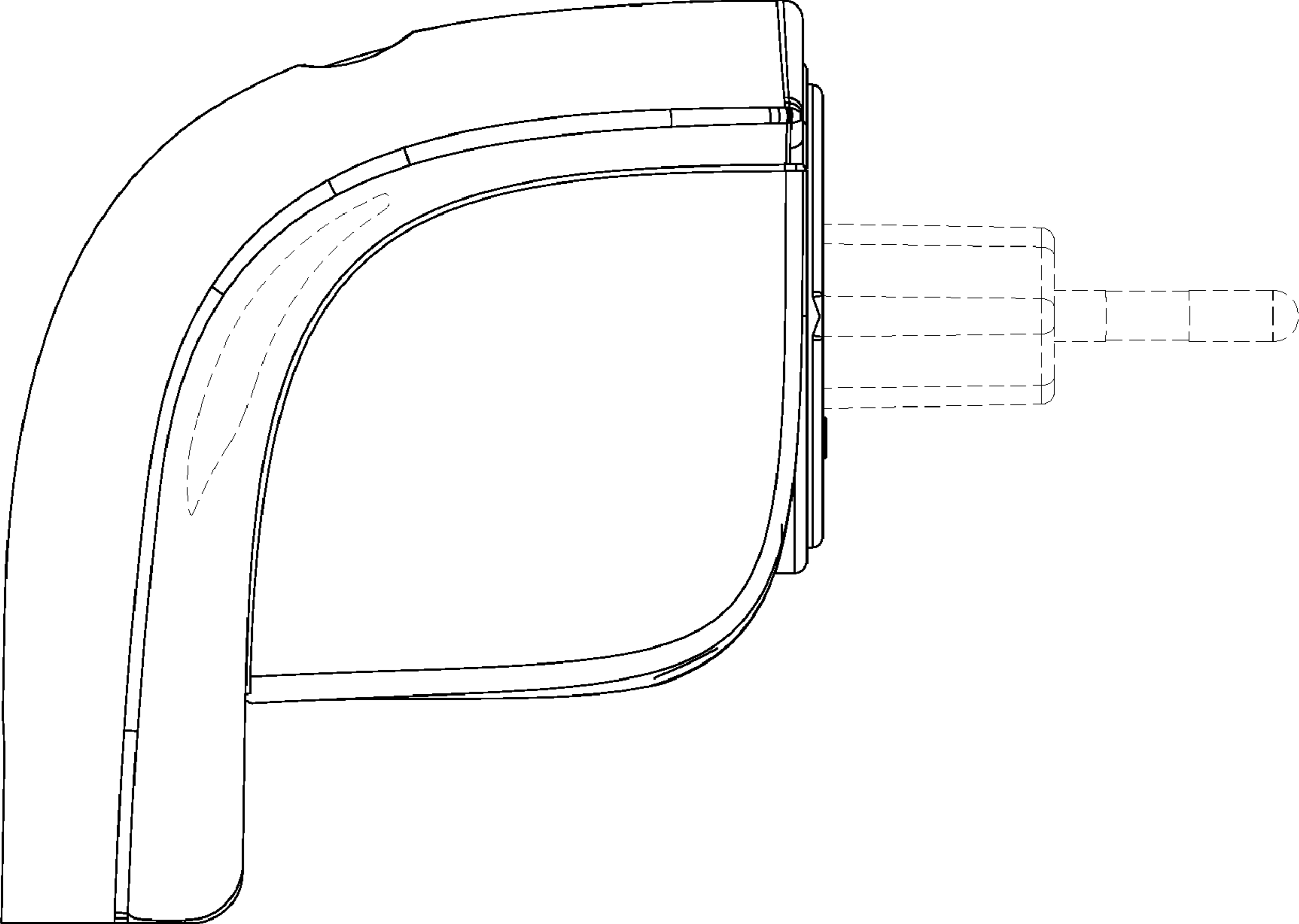


FIG. 7



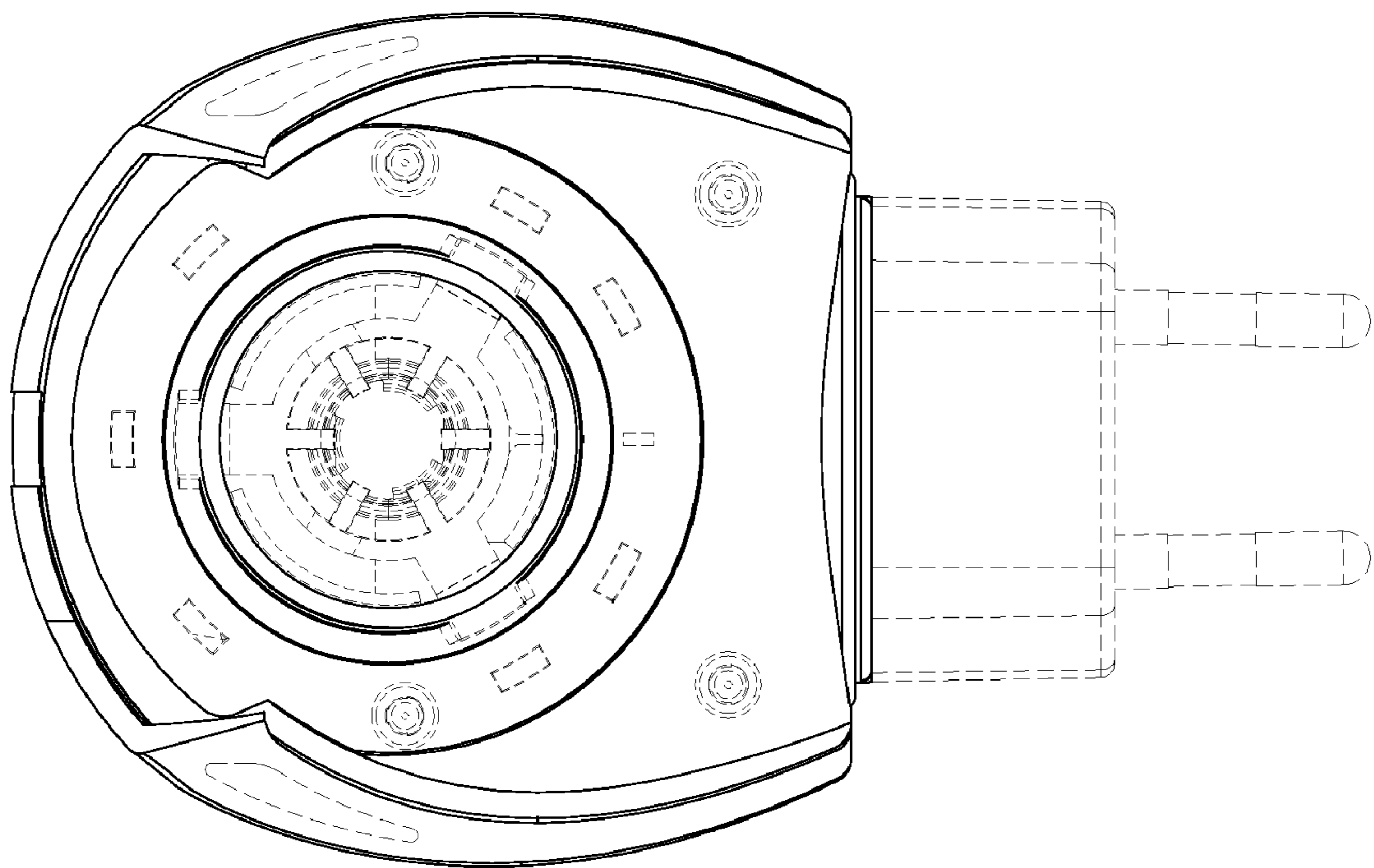


FIG. 8

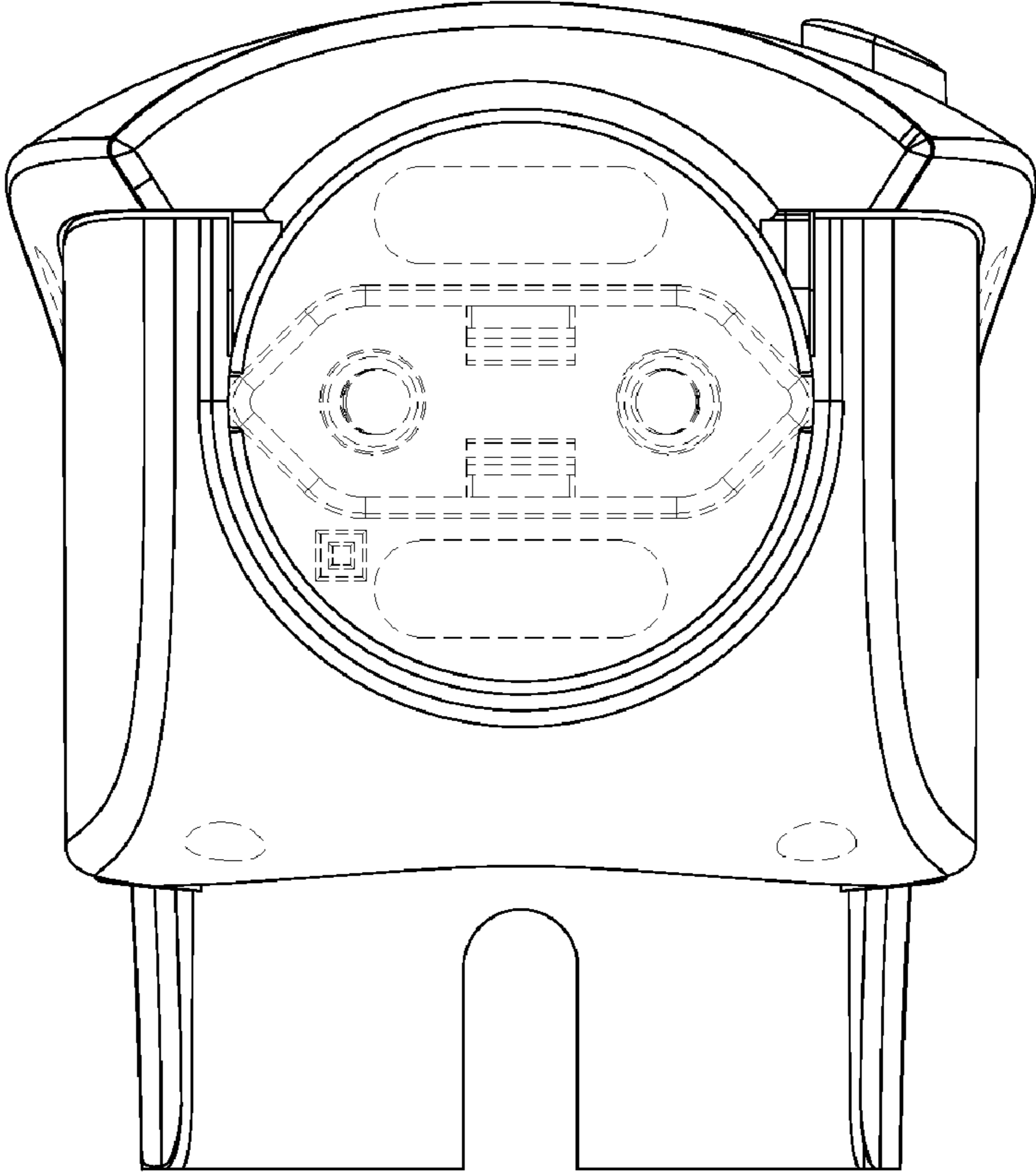


FIG. 9