



US00D611131S

(12) **United States Design Patent**
Gildersleeve

(10) **Patent No.:** **US D611,131 S**
(45) **Date of Patent:** **** Mar. 2, 2010**

- (54) **PANEL OF AN EVAPORATIVE COOLER**
- (75) Inventor: **Paul Gildersleeve**, Scottsdale, AZ (US)
- (73) Assignee: **Champion Cooler Corporation**, Little Rock, AR (US)
- (**) Term: **14 Years**
- (21) Appl. No.: **29/343,563**
- (22) Filed: **Sep. 15, 2009**

D505,193 S	5/2005	Hale	
D549,307 S	8/2007	Chiu	
D549,308 S	8/2007	Chiu	
D566,819 S	4/2008	Chiu	
D575,857 S	8/2008	Chiu	
D589,132 S *	3/2009	Chiu D23/333

* cited by examiner

Primary Examiner—Brian N Vinson
(74) *Attorney, Agent, or Firm*—RatnerPrestia

Related U.S. Application Data

- (62) Division of application No. 29/304,141, filed on Feb. 26, 2008.

- (51) **LOC (9) Cl.** **23-04**
- (52) **U.S. Cl.** **D23/333**
- (58) **Field of Classification Search** D6/314,
D6/317, 332-333, 351; 312/236; 62/259.1,
62/259.3, 259.4, 262-263, 304, 401, 515-516;
454/330-331, 349-350, 354
See application file for complete search history.

(56) **References Cited**

U.S. PATENT DOCUMENTS

D188,357 S	7/1960	Klotz, Jr.
D416,993 S	11/1999	Dong et al.
D419,230 S	1/2000	Chiccone
D448,070 S	9/2001	De'Longhi
D503,221 S	3/2005	Miller et al.

(57) **CLAIM**

The ornamental design of a panel of an evaporative cooler, as shown and described.

DESCRIPTION

FIG. 1 is a top, front, and right side perspective view of a panel of an evaporative cooler showing my new design;

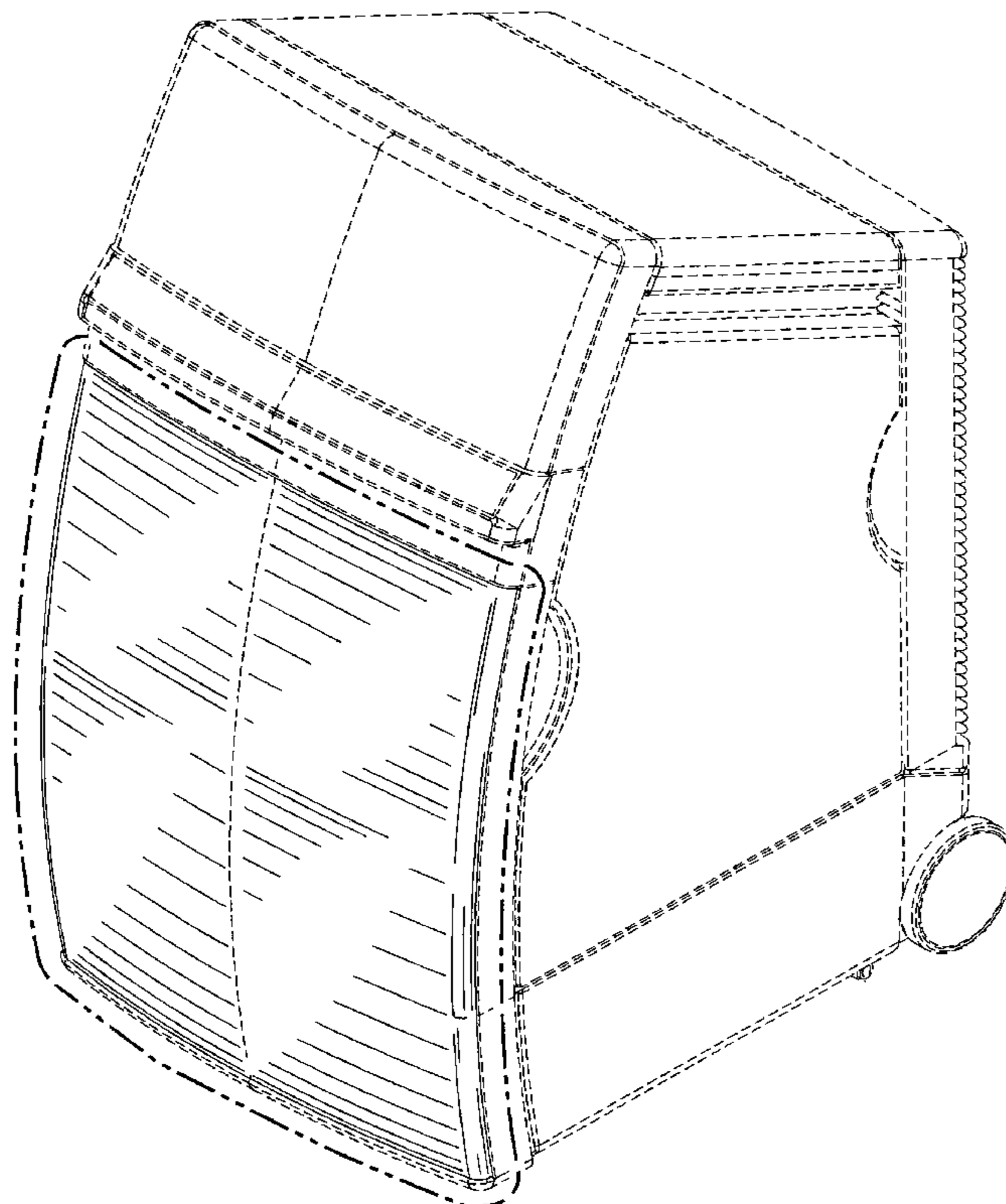
FIG. 2 is an additional enlarged top, front, and right side perspective view thereof;

FIG. 3 is an enlarged front elevation view thereof; and,

FIG. 4 is an enlarged right side elevation view thereof, the left side being a mirror image of that shown.

The broken-line disclosure of the remainder of the evaporative cooler in FIG. 1 and the broken-line fragments of the remainder of the evaporative cooler in FIGS. 2-4 are shown for illustrative purposes only and form no part of the claimed design.

1 Claim, 4 Drawing Sheets



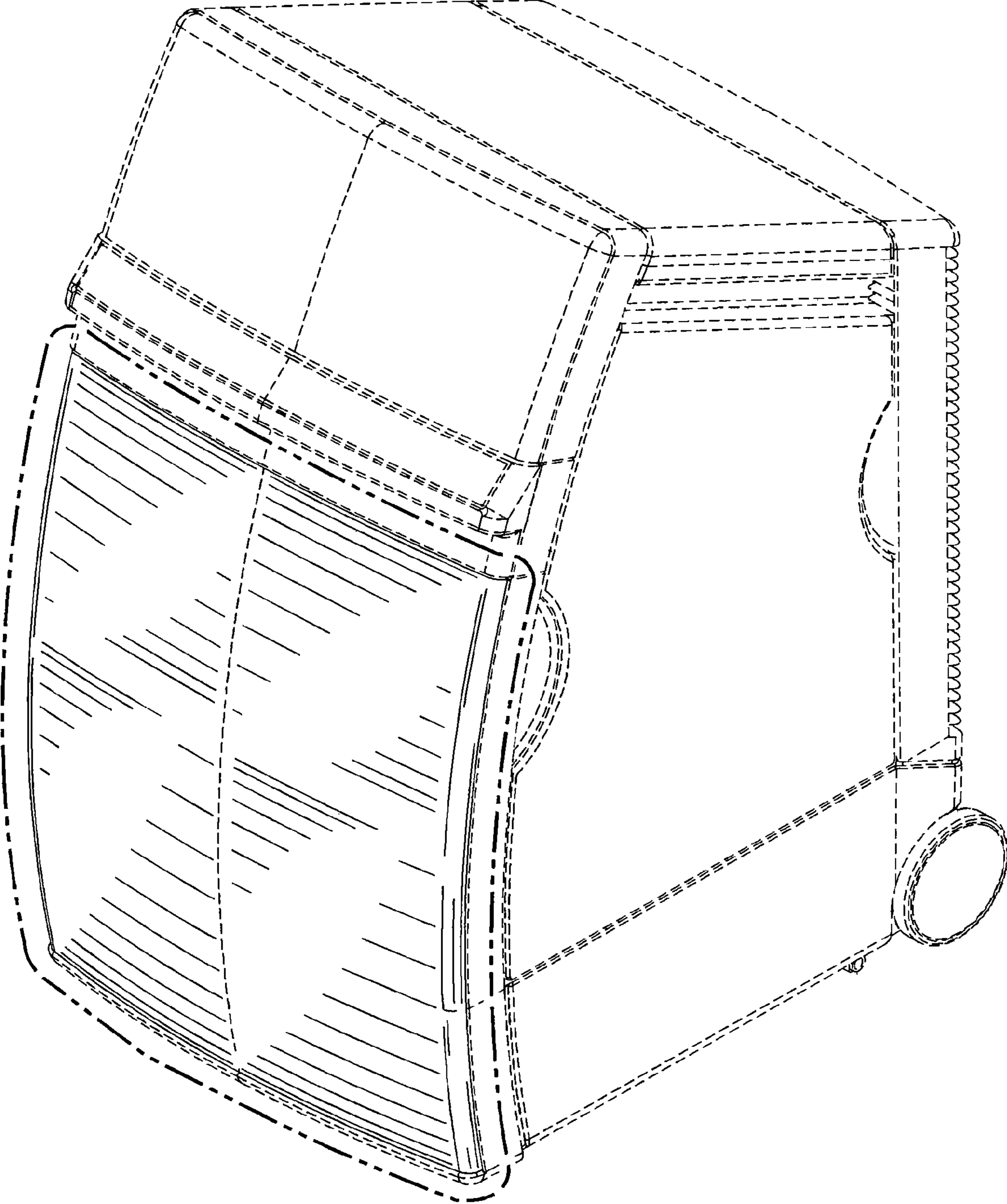


FIG. 1

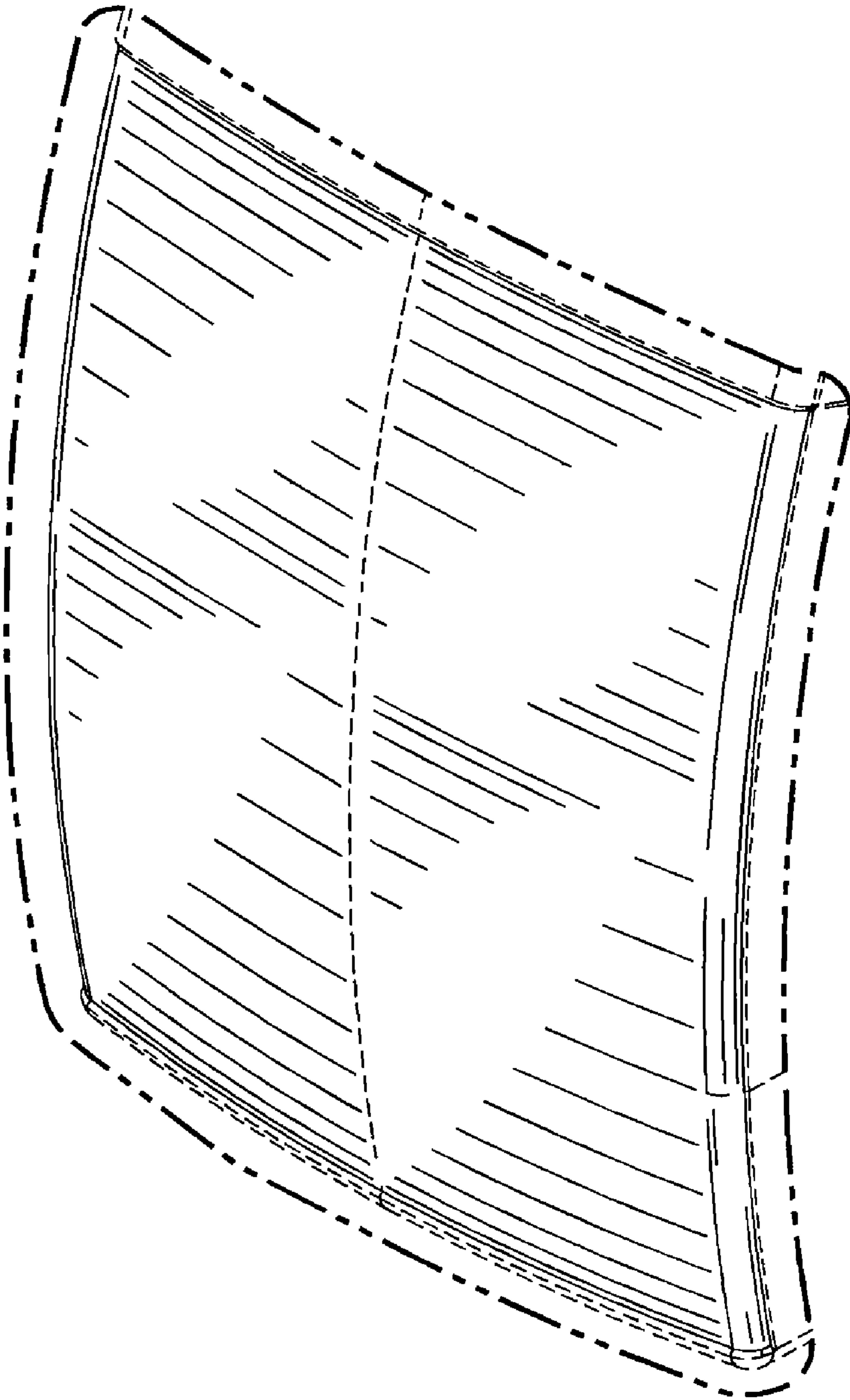


FIG. 2

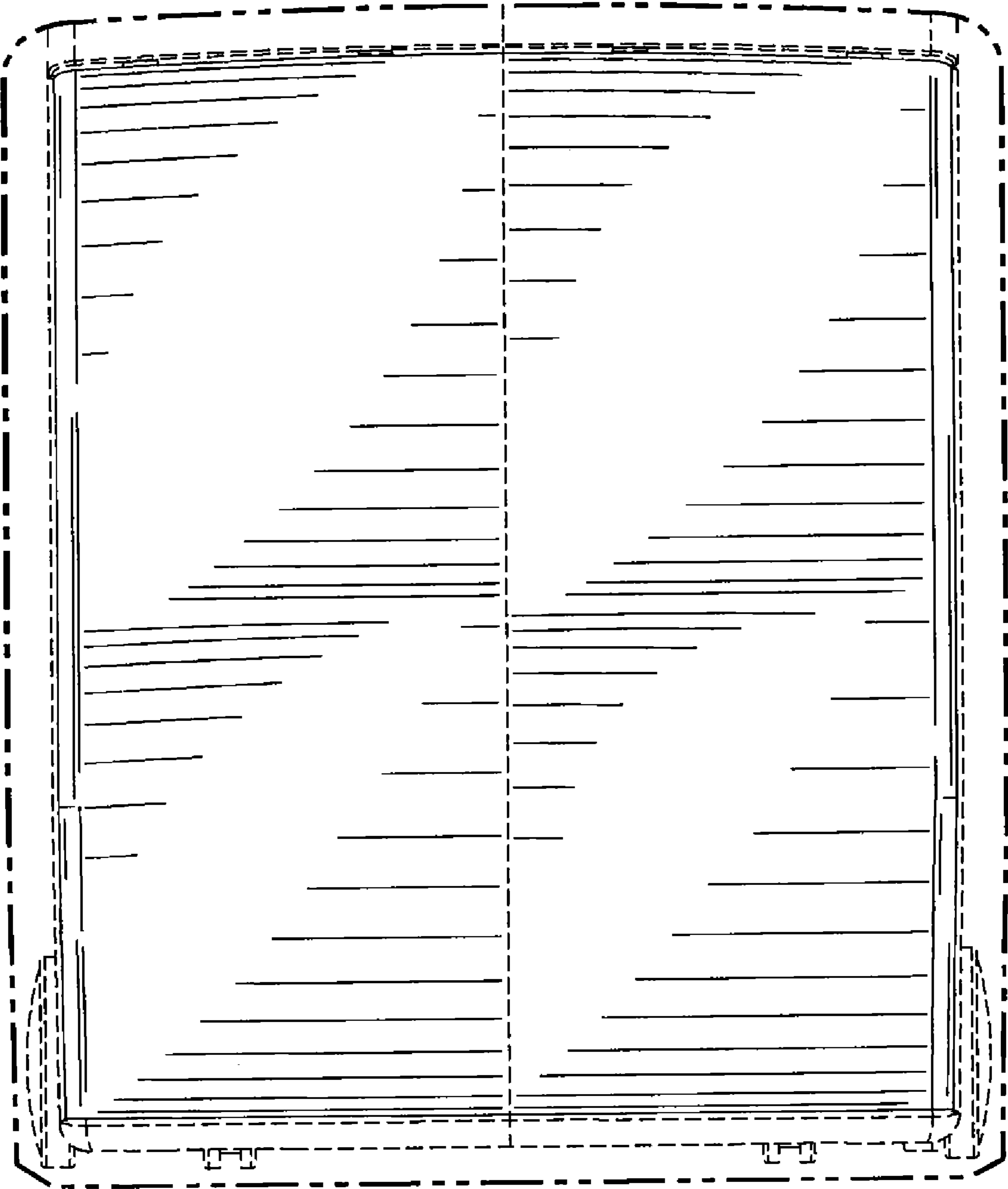


FIG. 3

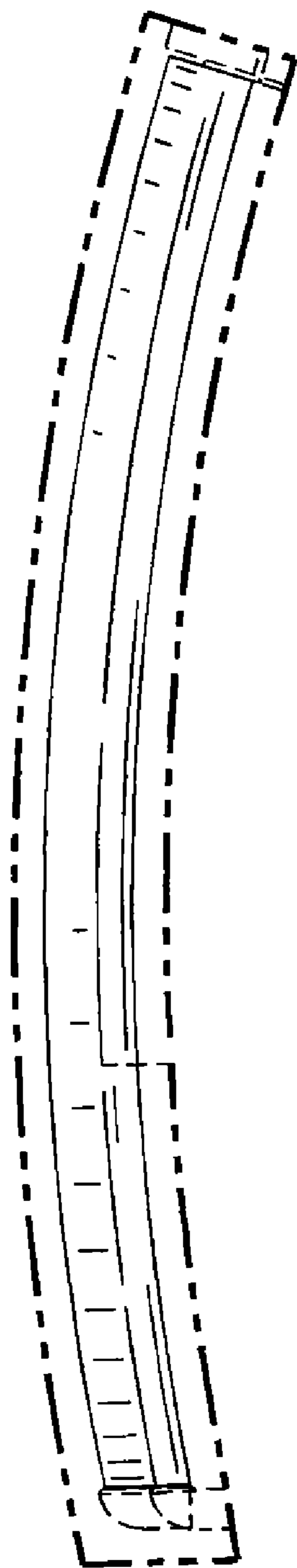


FIG. 4