



US00D611128S

(12) **United States Design Patent**
Soulier

(10) **Patent No.:** **US D611,128 S**
(45) **Date of Patent:** **** Mar. 2, 2010**

(54) **LAVATORY**

(75) Inventor: **Jean-Hugues Soulier**, Paris (FR)

(73) Assignee: **Kohler France SAS**, Paris (FR)

(**) Term: **14 Years**

(21) Appl. No.: **29/338,600**

(22) Filed: **Jun. 15, 2009**

Related U.S. Application Data

(62) Division of application No. 29/320,736, filed on Jul. 2, 2008.

Foreign Application Priority Data

Jan. 4, 2008	(EM)	000853320-0004
Jan. 4, 2008	(EM)	000853379-0001
Jan. 4, 2008	(EM)	000853379-0002
Jan. 4, 2008	(EM)	000853379-0003

(51) **LOC (9) Cl.** **23-02**

(52) **U.S. Cl.** **D23/293.1**

(58) **Field of Classification Search** D23/270-274,
D23/284, 285, 291, 293.1, 303, 308, 287,
D23/201; 4/619, 638, 650, 661, 631, 637;
D7/304

See application file for complete search history.

(56) **References Cited**

U.S. PATENT DOCUMENTS

D191,432 S *	10/1961	Chapman	D23/293.1
D538,905 S *	3/2007	Wano	D23/293.1
D545,417 S *	6/2007	Tani et al.	D23/293.1
D585,116 S *	1/2009	Thalmann Gomez	D23/284
		et al.	D23/284
D588,245 S *	3/2009	Kohler et al.	D23/293.1
D588,682 S *	3/2009	Maruhashi	D23/293.1

FOREIGN PATENT DOCUMENTS

ES	DM069035	4/2007
TR	D01498/2006	1/2006
WO	DM069035	4/2007

OTHER PUBLICATIONS

Colourwash.co.uk. "Metro Square Basin H95 W 600 D 470" and Capaign Basin & Chrome Stand Towel Rack H 850 W 800 D 450. Colourwash.co.uk online catalog. Copyright © 1989-2007 Colourwash Limited.

Duravit. "2nd Floor". Model No. 049112. Duravit.us.com online catalog. Copyright 2006 Duravit.

Kohler Co. "Escale 48" vanity with cutout". Model No. K-18598. Kohler Co. online catalog. Copyright 2008 Kohler Co.

(Continued)

Primary Examiner—Robert A Delehanty

(74) *Attorney, Agent, or Firm*—Quarles & Brady LLP

(57) **CLAIM**

The ornamental design for a lavatory, as shown and described.

DESCRIPTION

FIG. 1 is a top, left, front perspective view of a lavatory embodying my new design;

FIG. 2 is a top plan view thereof;

FIG. 3 is a front elevational view thereof;

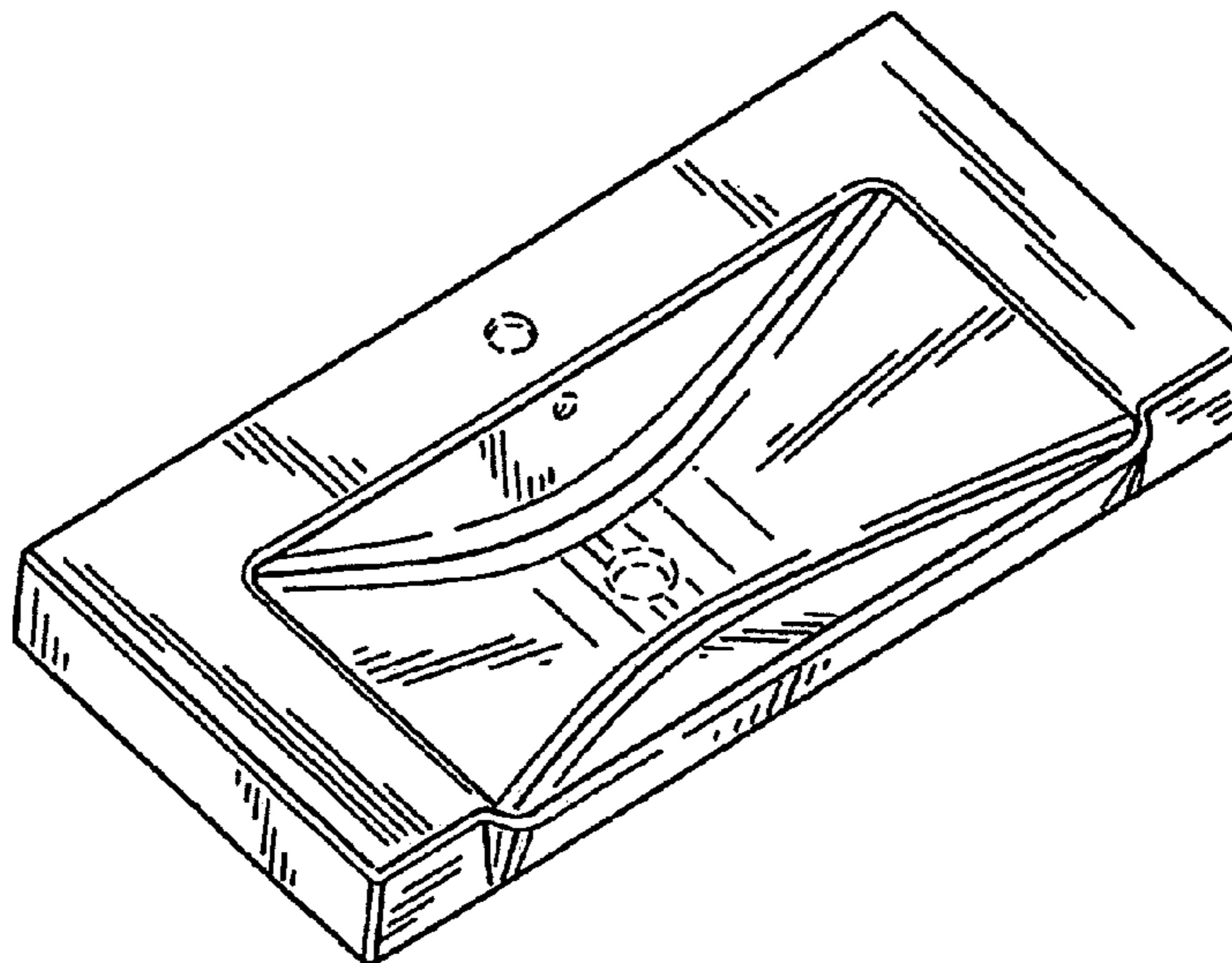
FIG. 4 is a left side elevational view thereof, the right side elevational view thereof being a mirror image of the left side shown;

FIG. 5 is a rear elevational view thereof; and,

FIG. 6 is a bottom plan view thereof.

The broken line representations in the figures are for the purpose of illustration only, and form no part of the claimed design.

1 Claim, 2 Drawing Sheets



OTHER PUBLICATIONS

Kohler Co. "Devonshire pedestal lavatory". Model No. K-2286-1.
Kohler Co. online catalog. Copyright 2008 Kohler Co.
Colourwash.co.uk. "Metro Square Basin H95 W 600 D 470" and
Capaign Basin & Chrome Stand Towel Rack H 850 W 800 D 450.
Colourwash.co.uk online catalog. Copyright © 1989-2007
Colourwash Limited.

Duravit. "2nd Floor". Model No. 049112. Duravit.us.com online
catalog. Copyright 2006 Duravit.

Kohler Co. "Escale" vanity with cutout. Model No. K-18598. Kohler
Co. online catalog. Copyright 2008 Kohler Co.

Kohler Co. "Devonshire pedestal lavatory". Model No. K-2286-1.
Kohler Co. online catalog. Copyright 2008 Kohler Co.

* cited by examiner

FIG. 1

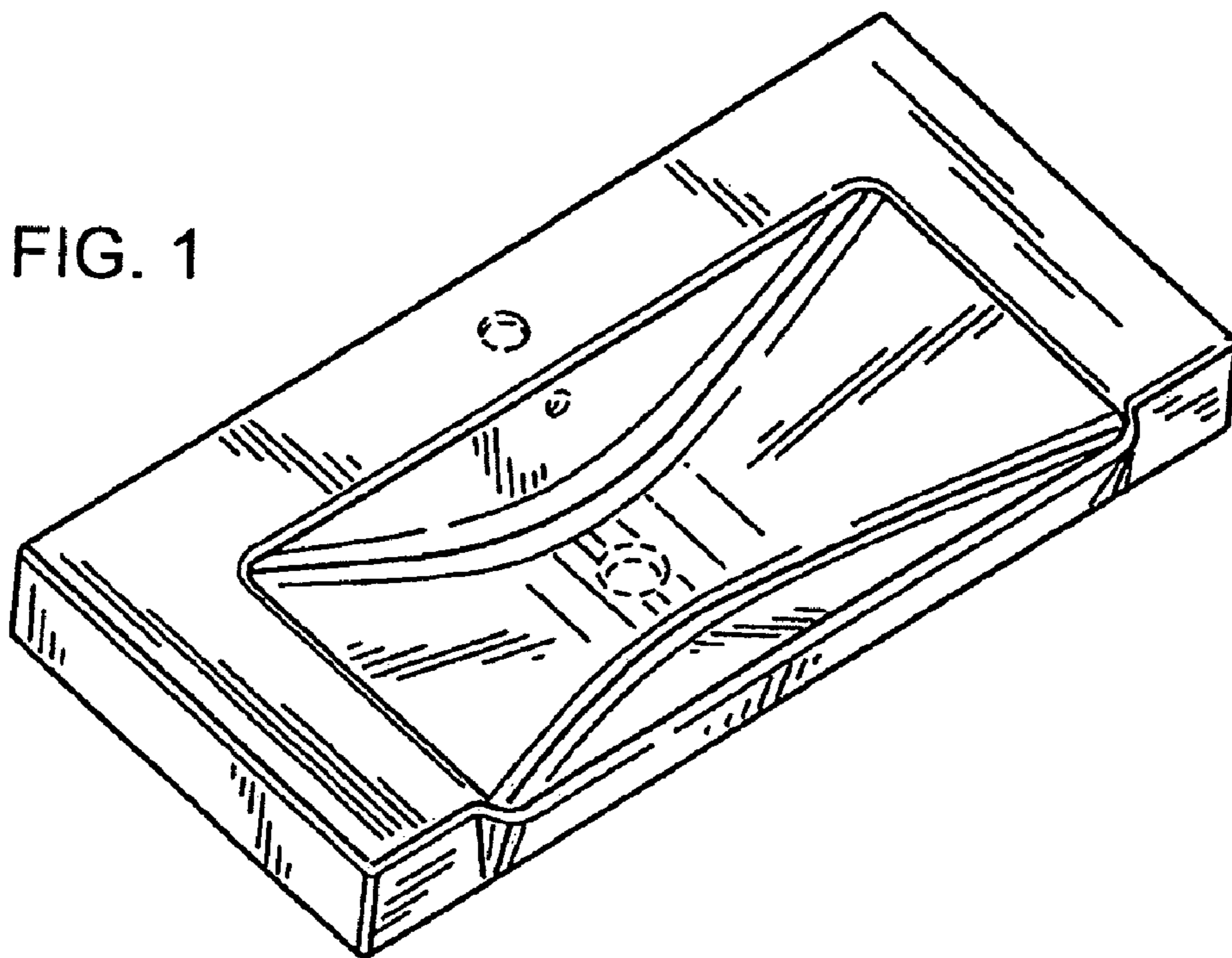


FIG. 2

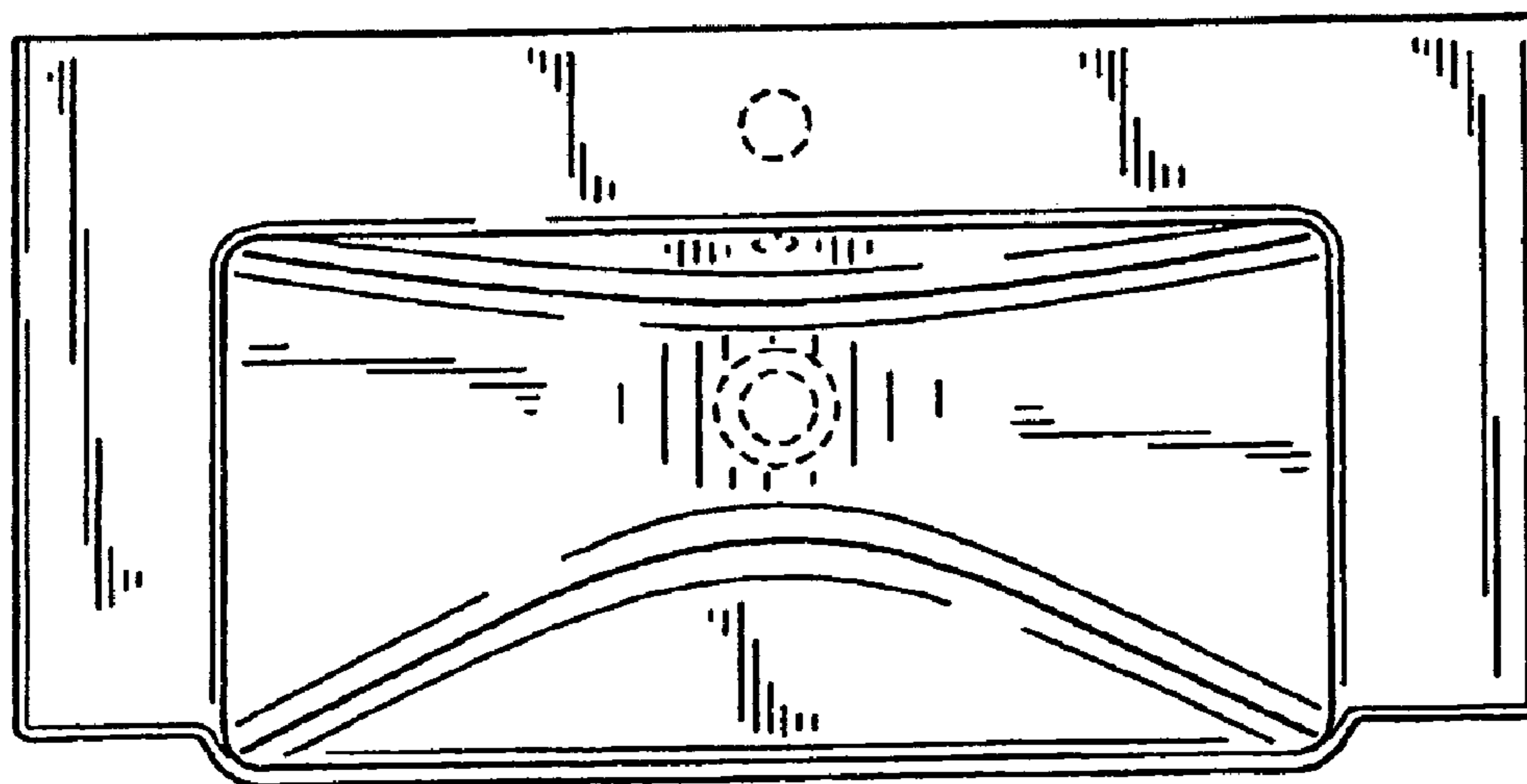


FIG. 3

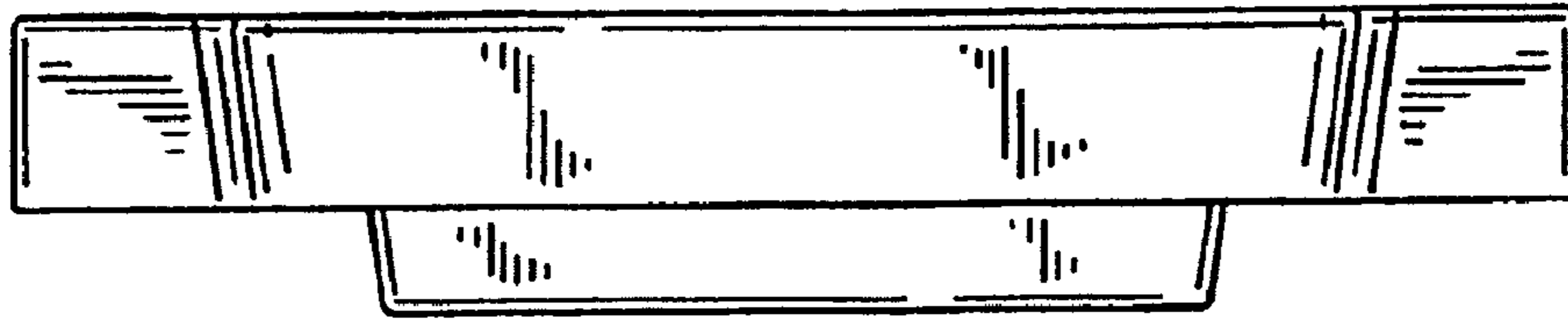


FIG. 4

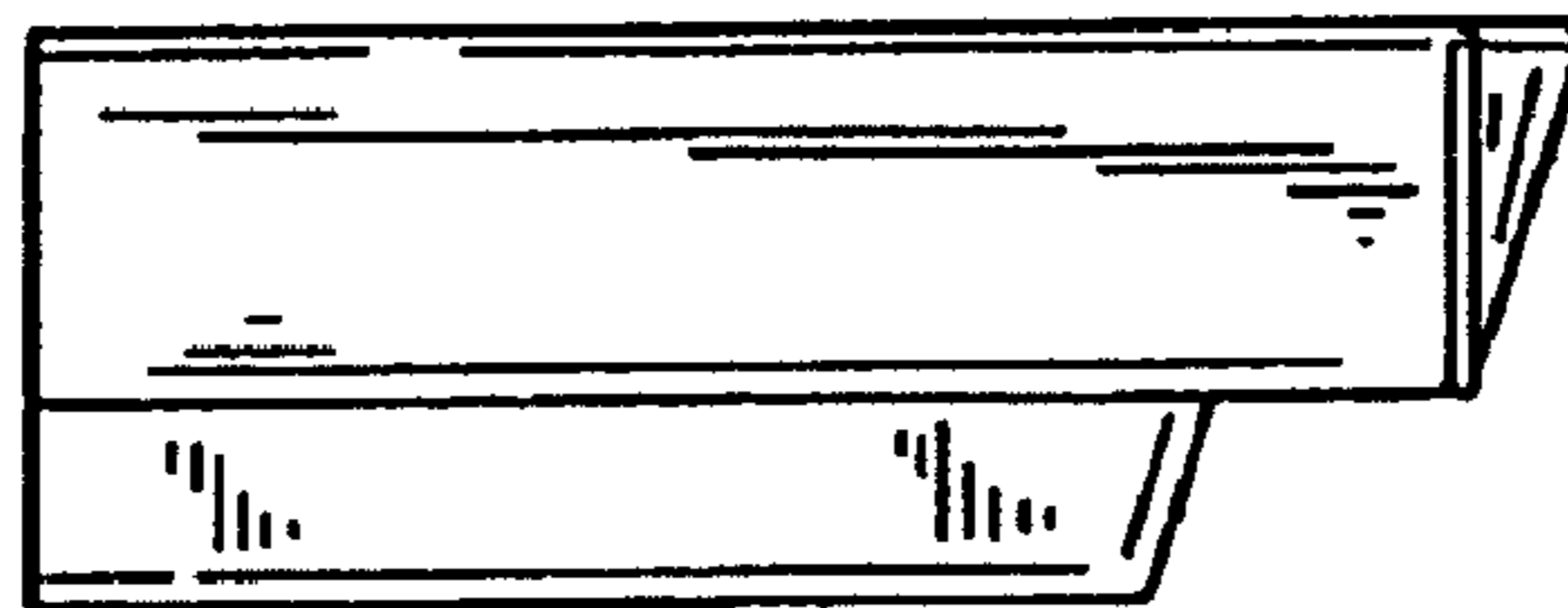


FIG. 5

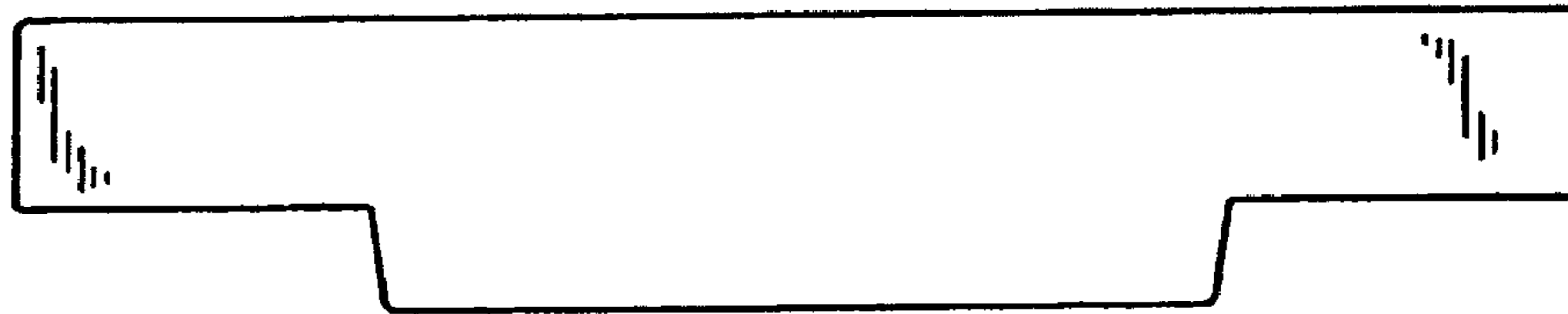
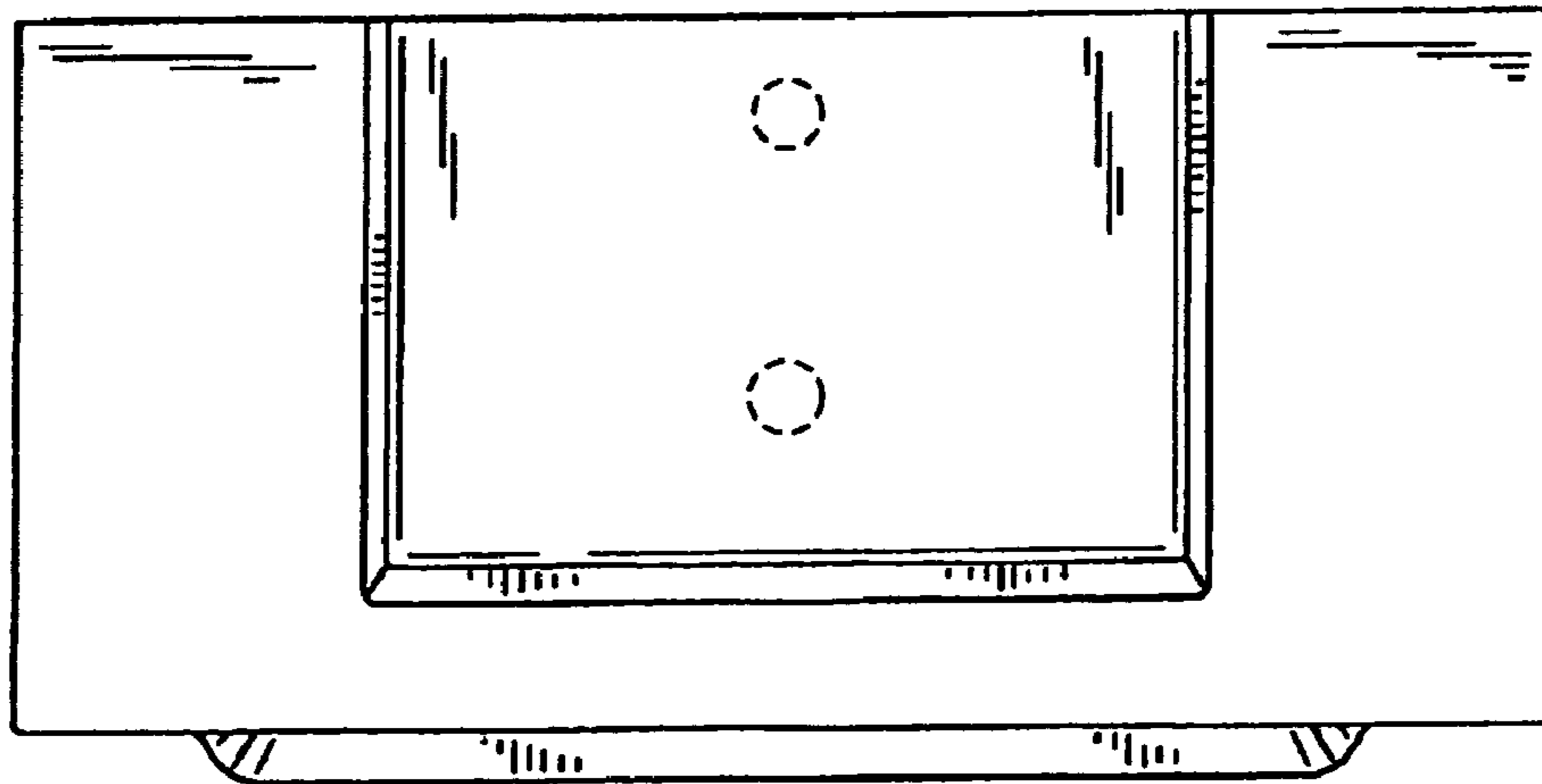


FIG. 6



UNITED STATES PATENT AND TRADEMARK OFFICE
CERTIFICATE OF CORRECTION

PATENT NO. : Des. 611,128 S
APPLICATION NO. : 29/338600
DATED : March 2, 2010
INVENTOR(S) : Jean-Hugues Soulier

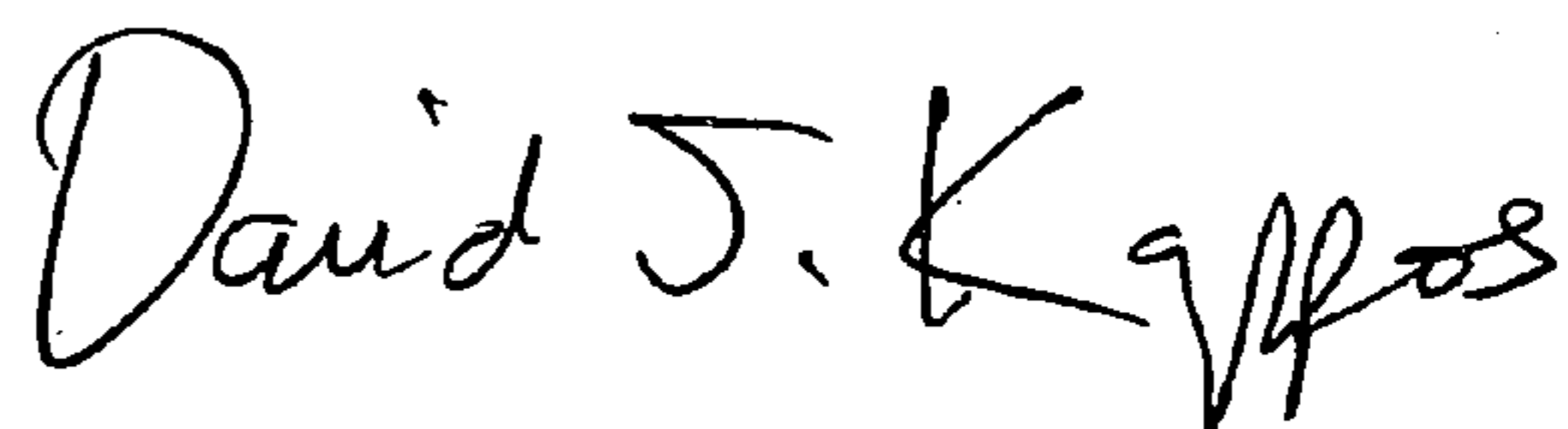
Page 1 of 1

It is certified that error appears in the above-identified patent and that said Letters Patent is hereby corrected as shown below:

On the front page of U.S. patent D611,128, under the section entitled "Description", please insert above the FIG. 1 description the following statement: --In a preferred embodiment, the nature of this product is a lavatory for washing various items and human body parts.--

Signed and Sealed this

Fourteenth Day of September, 2010

A handwritten signature in black ink that reads "David J. Kappos". The signature is written in a cursive, flowing style.

David J. Kappos
Director of the United States Patent and Trademark Office