



US00D611127S

(12) **United States Design Patent**
Urquiola

(10) **Patent No.:** **US D611,127 S**
(45) **Date of Patent:** **** Mar. 2, 2010**

(54) **BATHTUB**

(75) Inventor: **Patricia Urquiola**, Milan (IT)

(73) Assignee: **Hansgrohe AG**, Schiltach (DE)

(**) Term: **14 Years**

(21) Appl. No.: **29/333,607**

(22) Filed: **Mar. 12, 2009**

(30) **Foreign Application Priority Data**

Sep. 23, 2008 (EM) 001007314-0001

(51) **LOC (9) Cl.** **23-02**

(52) **U.S. Cl.** **D23/277**

(58) **Field of Classification Search** D23/277,
D23/280.1–280.3, 304; 4/538; D24/204–205
See application file for complete search history.

(56) **References Cited**

U.S. PATENT DOCUMENTS

D510,615 S * 10/2005 Matthews et al. D23/280.1
D564,639 S * 3/2008 Bruce D23/280.1

FOREIGN PATENT DOCUMENTS

EP 000075759-0001 12/2003

OTHER PUBLICATIONS

Brochure—BSP, 3 pgs., Ningbo Bosheng Plumbing Co., Ltd., Ningbo, China (at least as early as Mar. 9, 2007).

Brochure—Eagle brand sanitary-ware 2006 product catalogue, 3 pgs., Eagle Brand Holdings, Foshan, Guangdong, China (at least as early as May 26, 2006).

* cited by examiner

Primary Examiner—Robert A Delehanty

(74) *Attorney, Agent, or Firm*—Nirav D. Parikh; Edgar A. Zarins

(57) **CLAIM**

The ornamental design for a bathtub, as shown and described.

DESCRIPTION

FIG. 1 is a perspective view of a bathtub showing my design;

FIG. 2 is a right elevational view thereof;

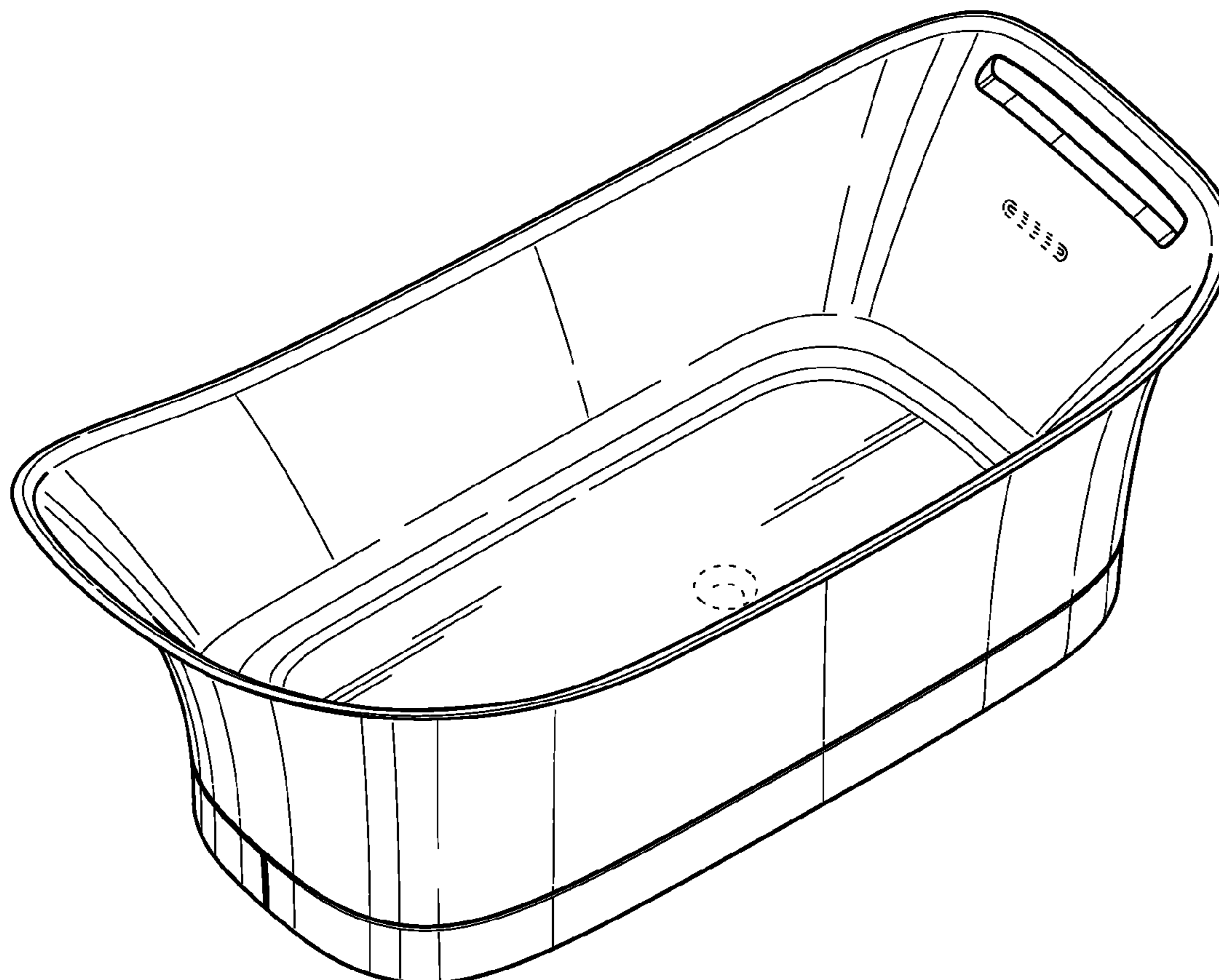
FIG. 3 is a left side elevational view thereof;

FIG. 4 is a front elevational view thereof; and,

FIG. 5 is a top plan view thereof.

The broken lines in the drawings represent unclaimed portions of the design and form no part thereof.

1 Claim, 5 Drawing Sheets



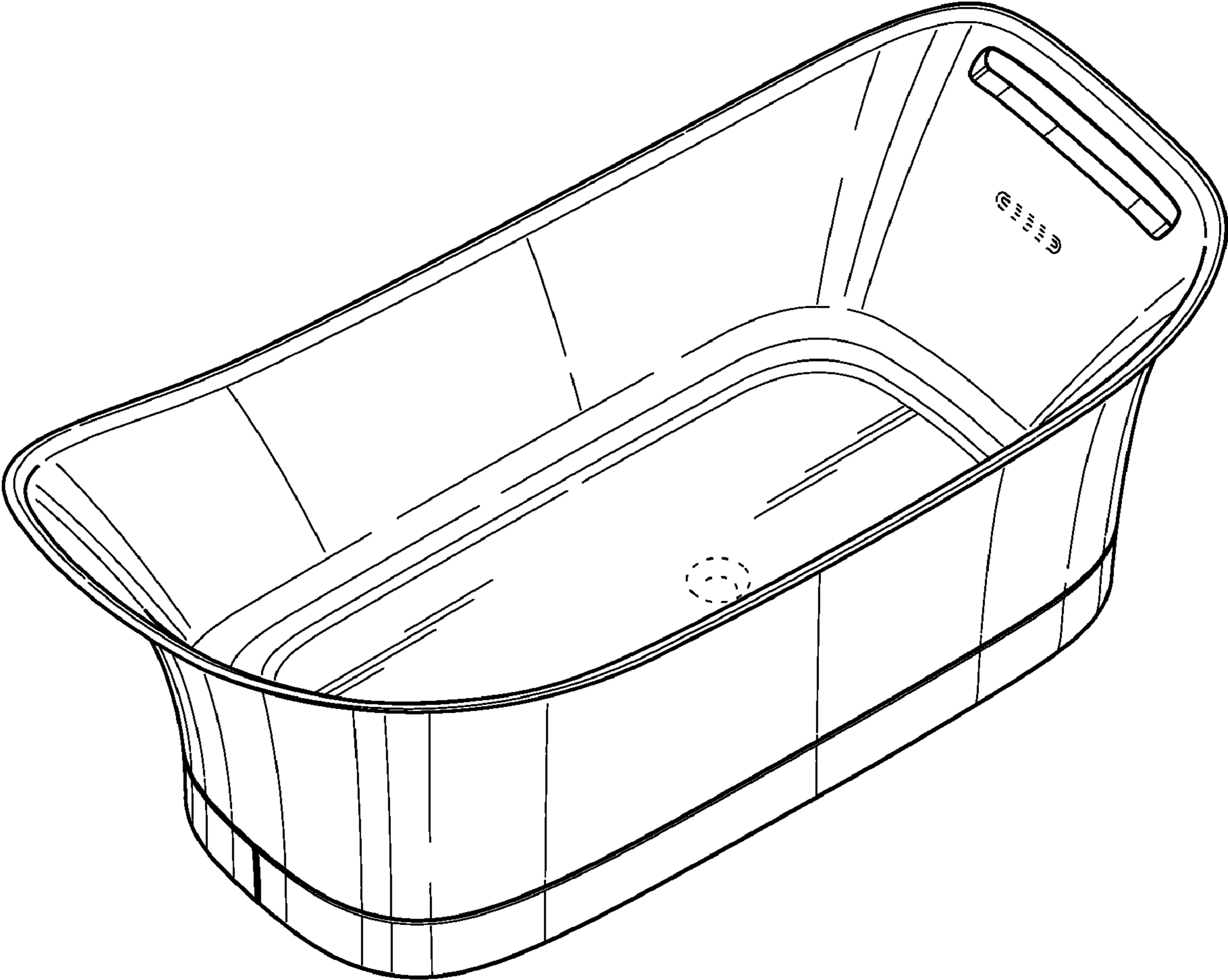


FIG. 1

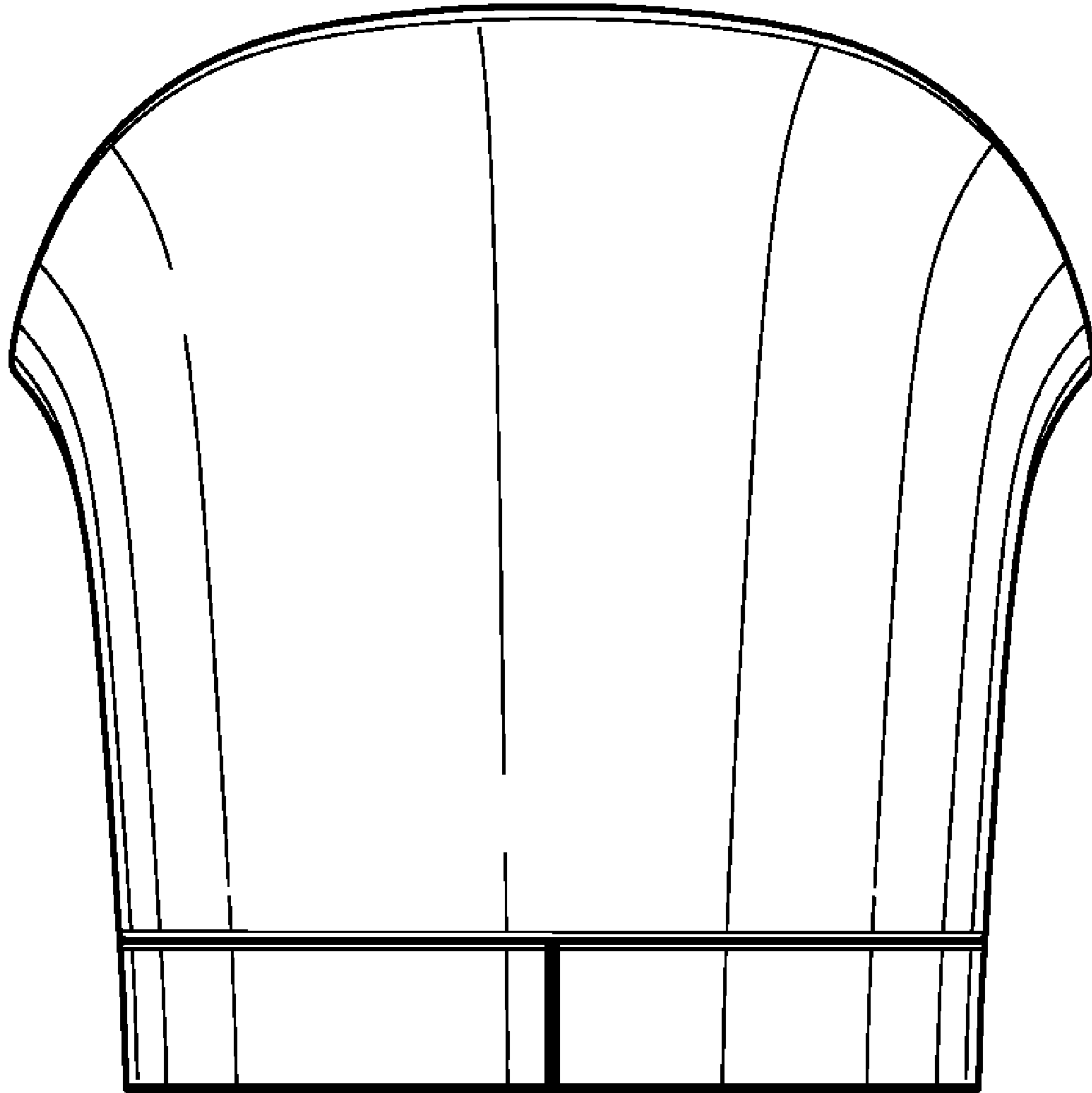


FIG. 2

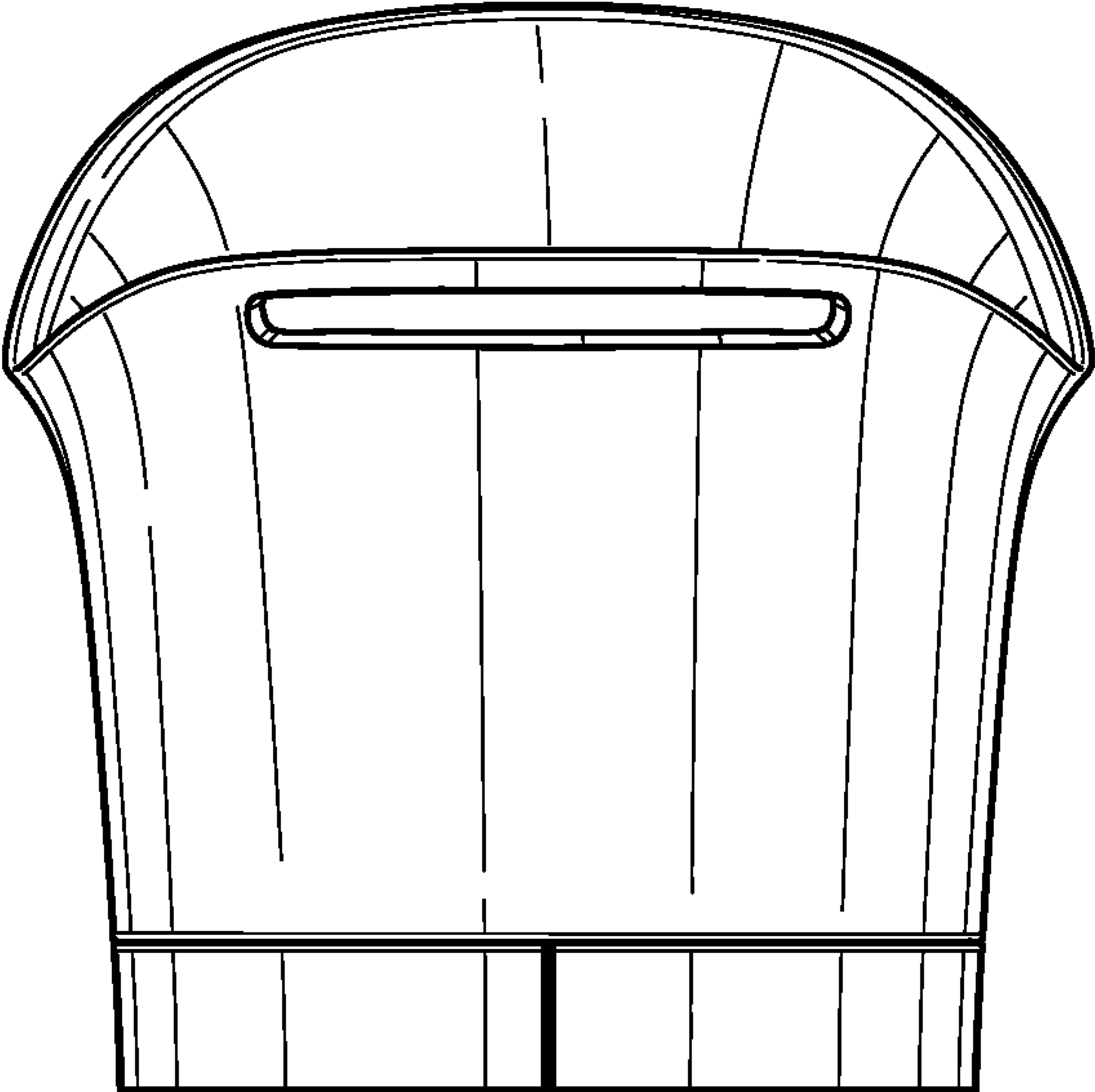


FIG. 3

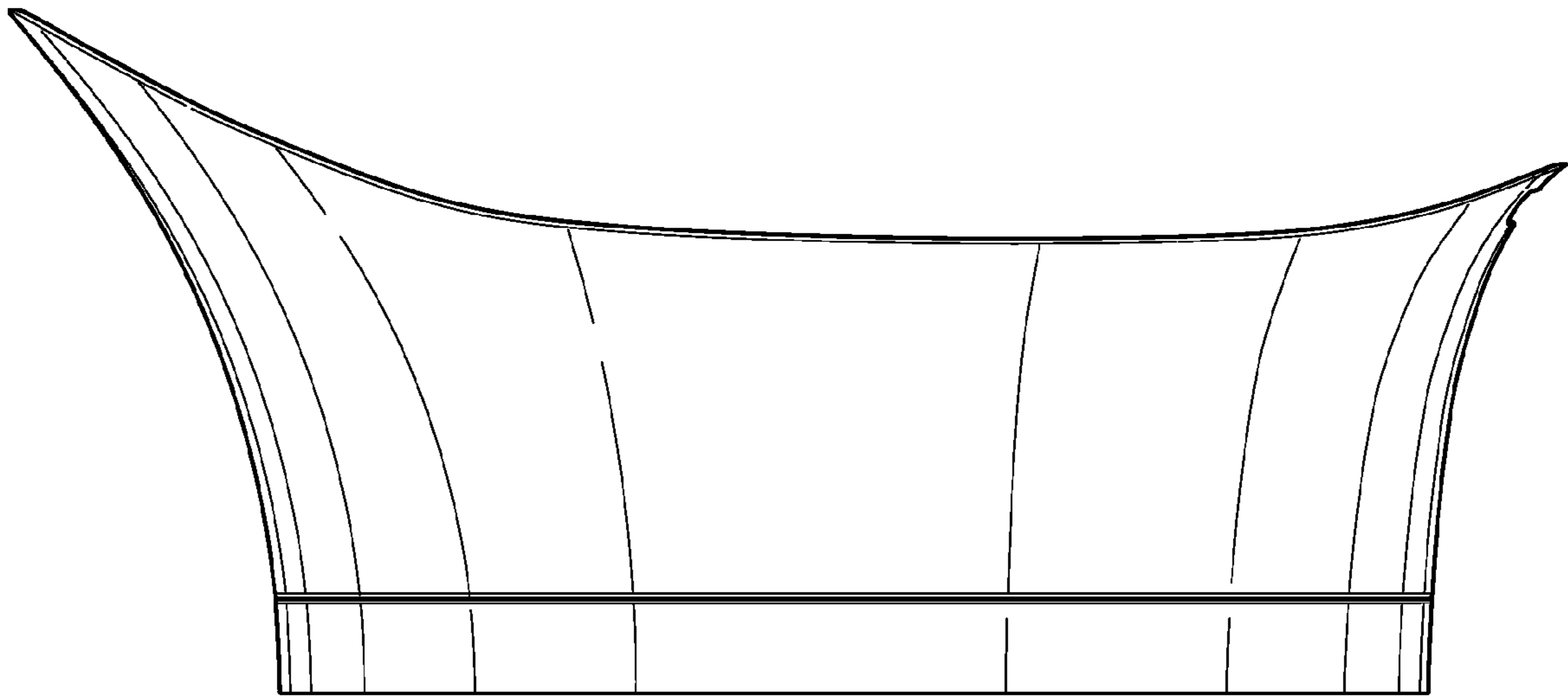


FIG. 4

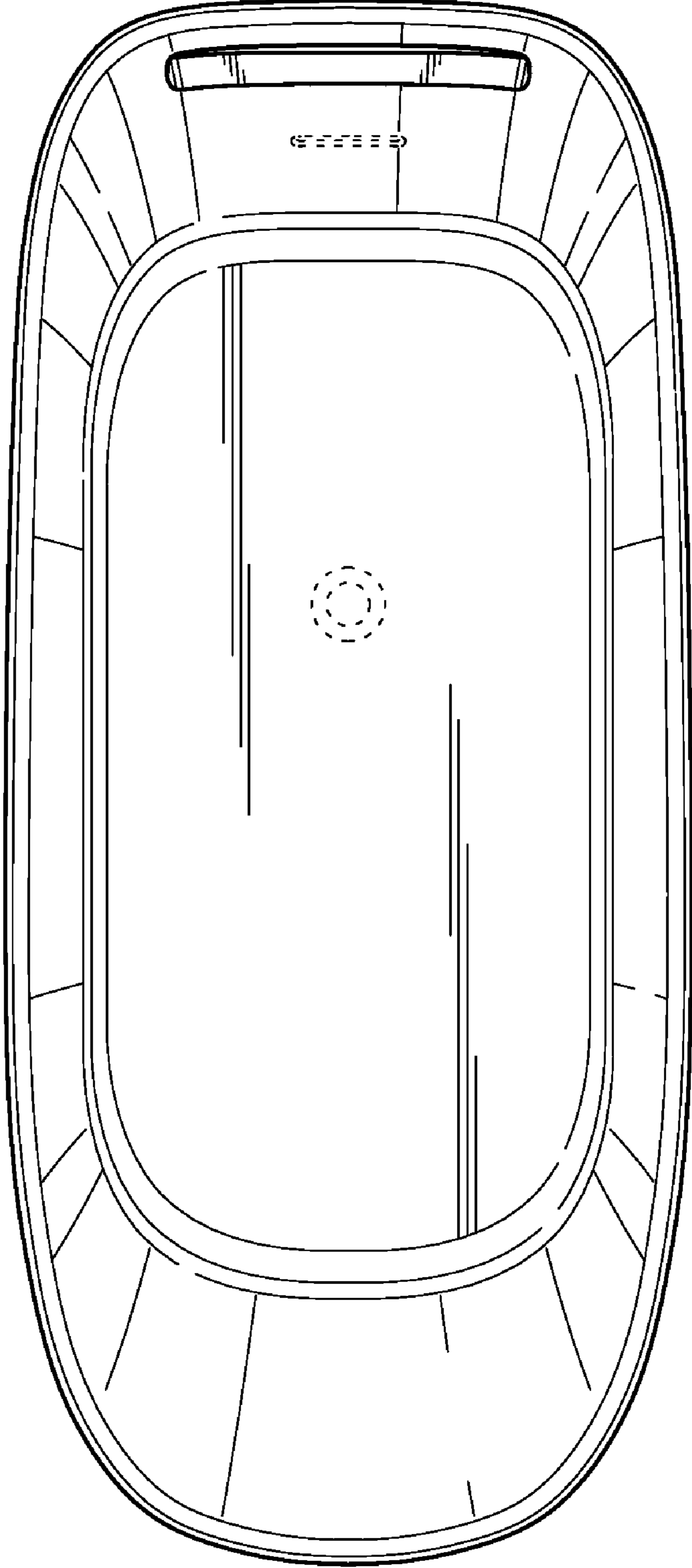


FIG. 5