



US00D611124S

(12) **United States Design Patent**  
**Schoenherr et al.**

(10) **Patent No.:** **US D611,124 S**  
(45) **Date of Patent:** **\*\* Mar. 2, 2010**

(54) **FAUCET**

(75) Inventors: **Tom Schoenherr**, Stuttgart (DE); **Anke Salomon**, Potsdam (DE)

(73) Assignee: **Hansgrohe AG**, Schiltach (DE)

(\*\*) Term: **14 Years**

(21) Appl. No.: **29/338,992**

(22) Filed: **Jun. 23, 2009**

(30) **Foreign Application Priority Data**

Jan. 22, 2009 (EM) ..... 001073803-0002

(51) **LOC (9) Cl.** ..... **23-01**

(52) **U.S. Cl.** ..... **D23/238**

(58) **Field of Classification Search** ..... D23/200,  
D23/238-257; D6/512, 546, 550; D8/300,  
D8/307-308, 310-312, 321; 4/675-678;  
137/801; 16/110.1, 441

See application file for complete search history.

(56) **References Cited**

**U.S. PATENT DOCUMENTS**

D479,309	S	*	9/2003	Haug et al.	.....	D23/238
D479,579	S	*	9/2003	Haug et al.	.....	D23/238
D511,560	S	*	11/2005	Kulig et al.	.....	D23/238
D513,526	S	*	1/2006	Marshall	.....	D23/238
D513,788	S	*	1/2006	Lindholm	.....	D23/238
D531,698	S	*	11/2006	Wood et al.	.....	D23/238
D532,483	S	*	11/2006	Lobermeier et al.	.....	D23/238
D534,246	S	*	12/2006	Chu et al.	.....	D23/238
D534,621	S	*	1/2007	Chu et al.	.....	D23/238
D534,622	S	*	1/2007	Chu et al.	.....	D23/238
D535,357	S	*	1/2007	Zhou	.....	D23/238
D535,724	S	*	1/2007	Zhou	.....	D23/238
D539,870	S	*	4/2007	Lammel et al.	.....	D23/238
D544,945	S	*	6/2007	Wood et al.	.....	D23/238

D550,330	S	*	9/2007	Mullenmeister	.....	D23/238
D564,075	S	*	3/2008	Williams	.....	D23/238
D566,811	S	*	4/2008	Zhang	.....	D23/238
D567,909	S	*	4/2008	Schoenherr et al.	.....	D23/238
D571,893	S	*	6/2008	Celli	.....	D23/238
D575,848	S	*	8/2008	Kirar	.....	D23/238
D594,934	S	*	6/2009	Vu et al.	.....	D23/238
D602,568	S	*	10/2009	Kwok	.....	D23/238
D603,021	S	*	10/2009	Roy	.....	D23/238

**OTHER PUBLICATIONS**

Brochure—Guglielmi Collection, 3 pgs., Guglielmi Rubinetterie Srl, Grignasco, Italy (at least as early as Sep. 30, 2008).

Brochure—Simply Beautiful, 3 pgs., Zucchetti Rubinetteria S.p.A., Gozzano, Italy (at least as early as Oct. 2, 2007).

Brochure—3 pgs., Single Lever Mixer with Swivel Spout, Zucchetti Rubinetteria S.p.A., Gozzano, Italy (at least as early as May 5, 2006).

\* cited by examiner

*Primary Examiner*—T. Chase Nelson

*Assistant Examiner*—Mark Cavanna

(74) *Attorney, Agent, or Firm*—Nirav D. Parikh; Edgar A. Zarins

(57) **CLAIM**

The ornamental design for a faucet, as shown and described.

**DESCRIPTION**

FIG. 1 is a perspective view of a faucet showing our design;

FIG. 2 is a front elevational view thereof;

FIG. 3 is a rear elevational view thereof;

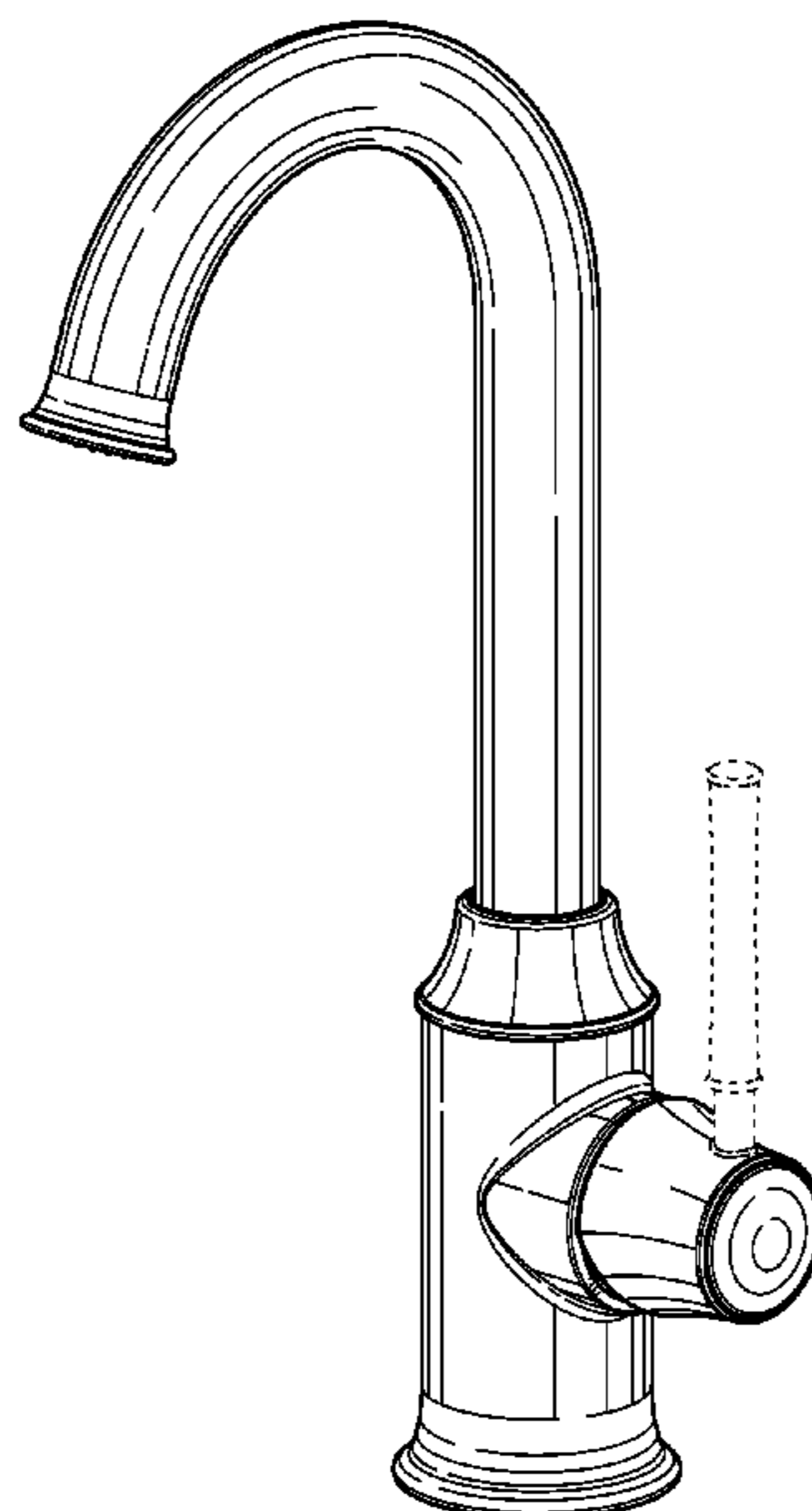
FIG. 4 is a left side elevational view thereof;

FIG. 5 is a right side elevational view thereof; and,

FIG. 6 is a top plan view thereof.

The features shown in broken lines depict environmental subject matter only and form no part of the claimed design.

**1 Claim, 6 Drawing Sheets**



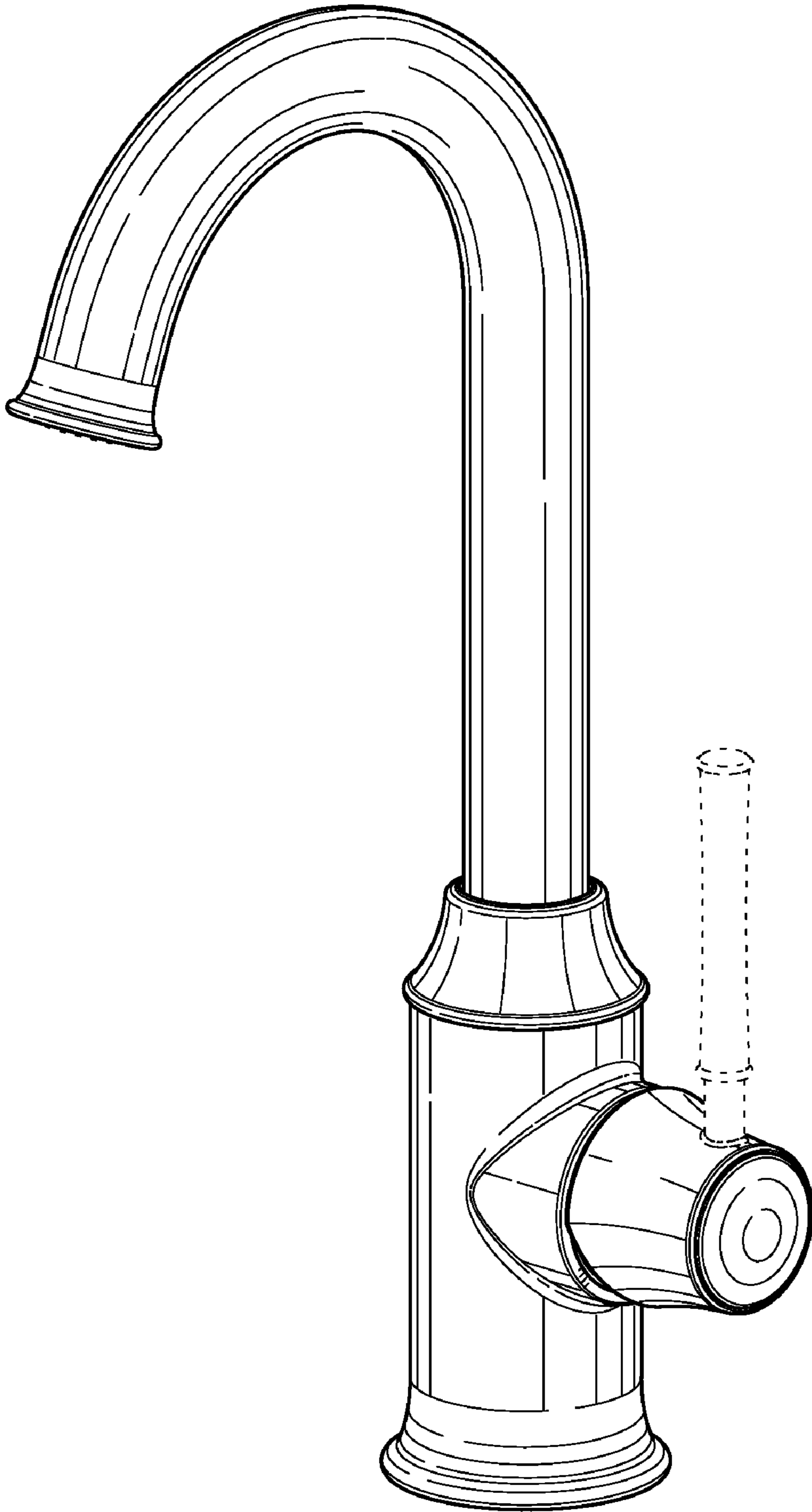


FIG. 1

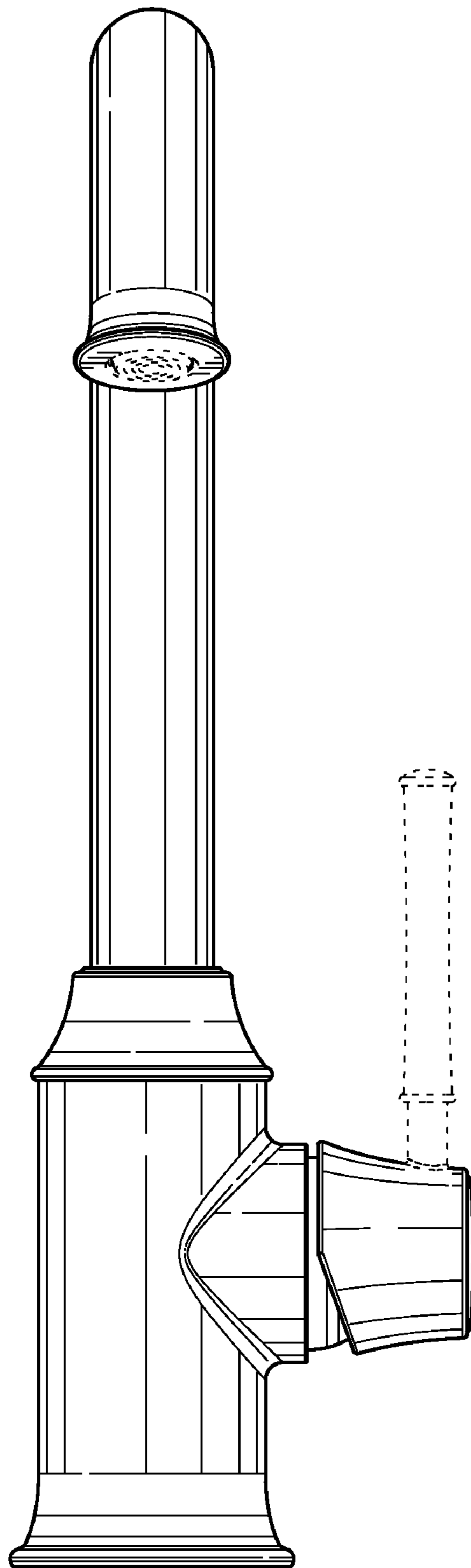


FIG. 2

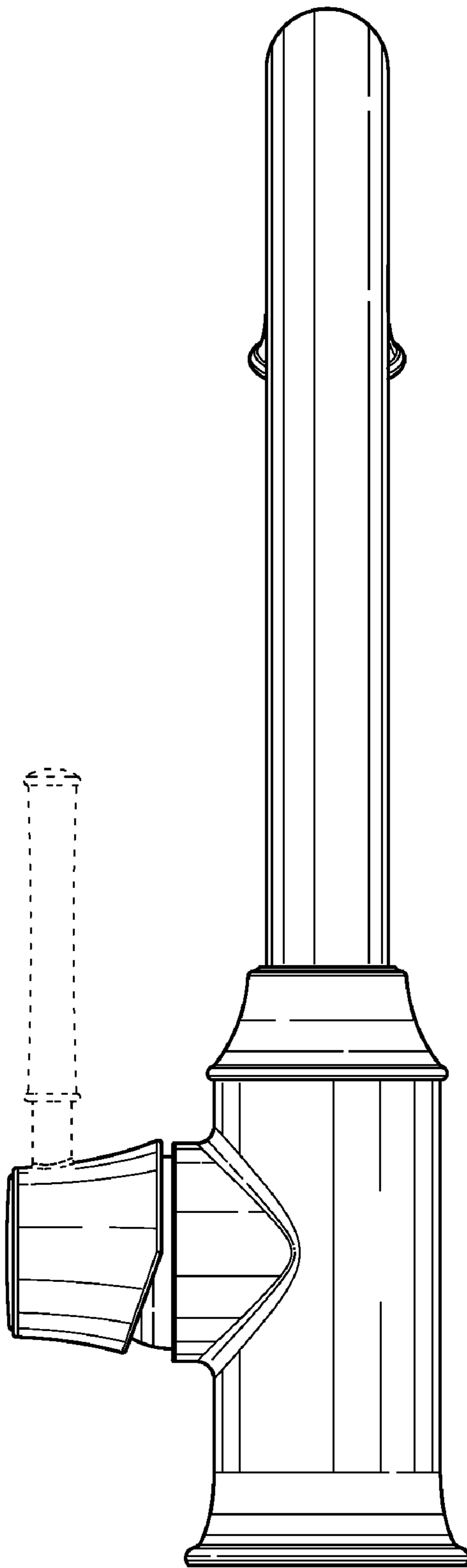


FIG. 3

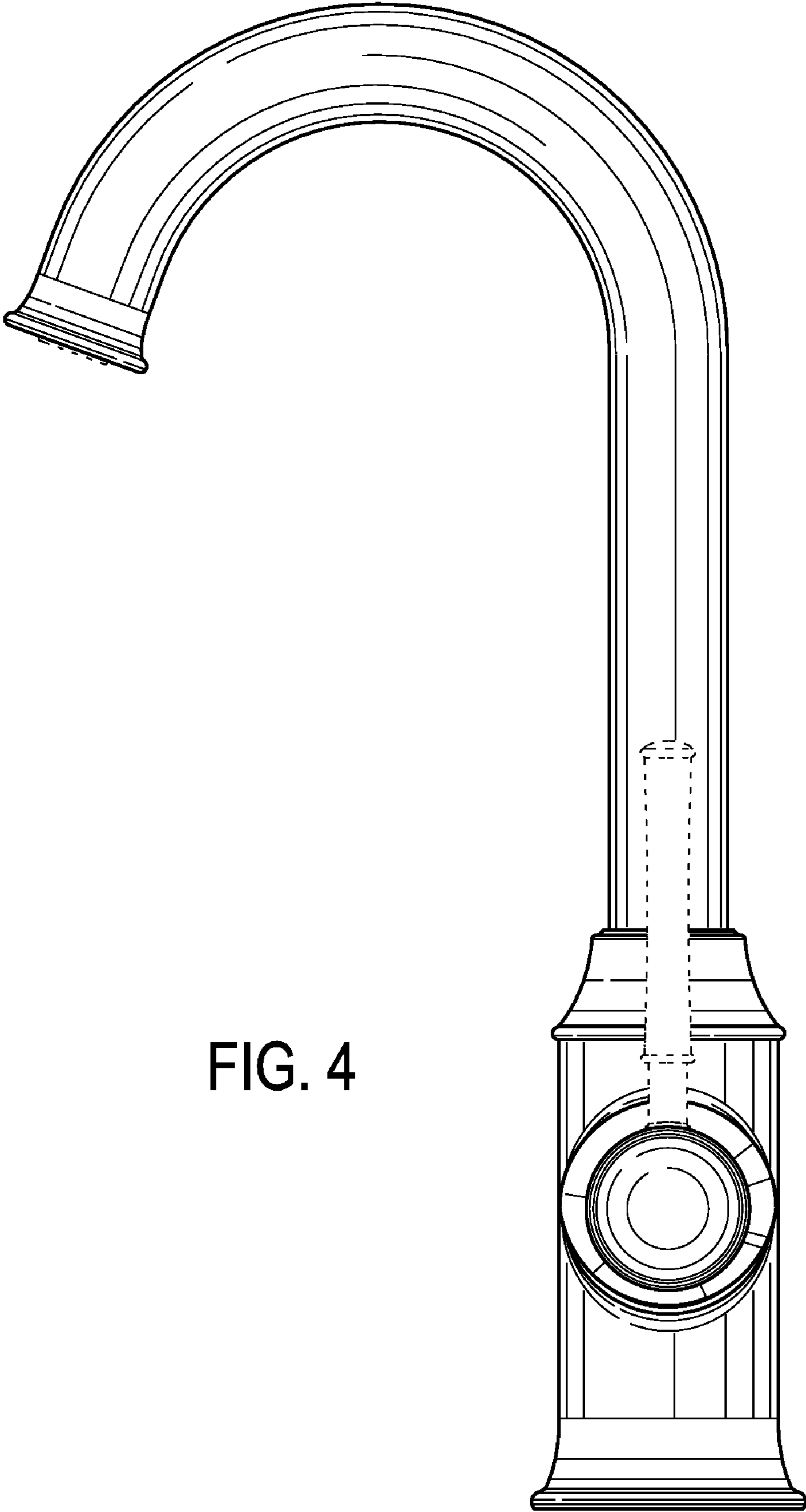


FIG. 4

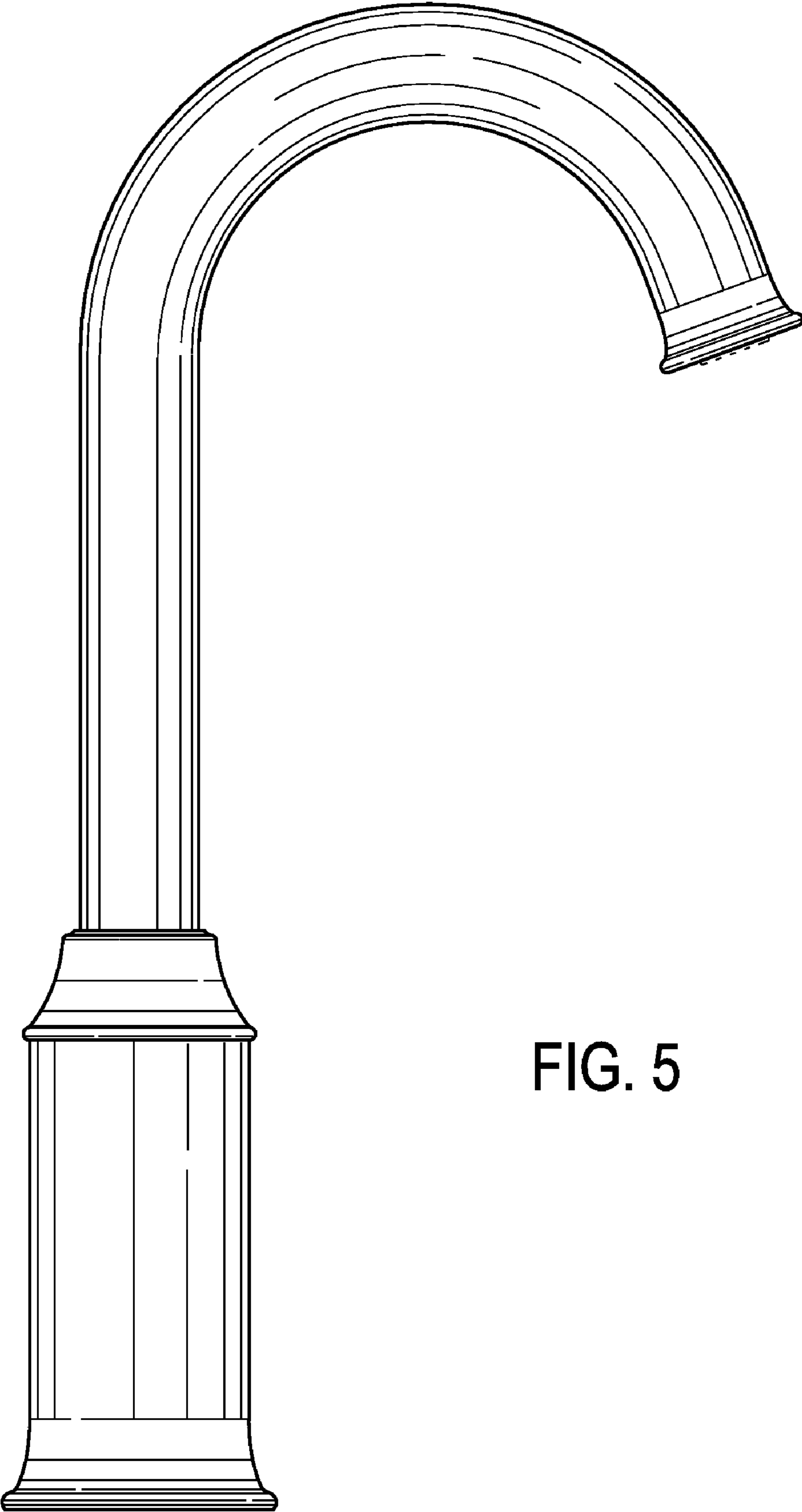


FIG. 5

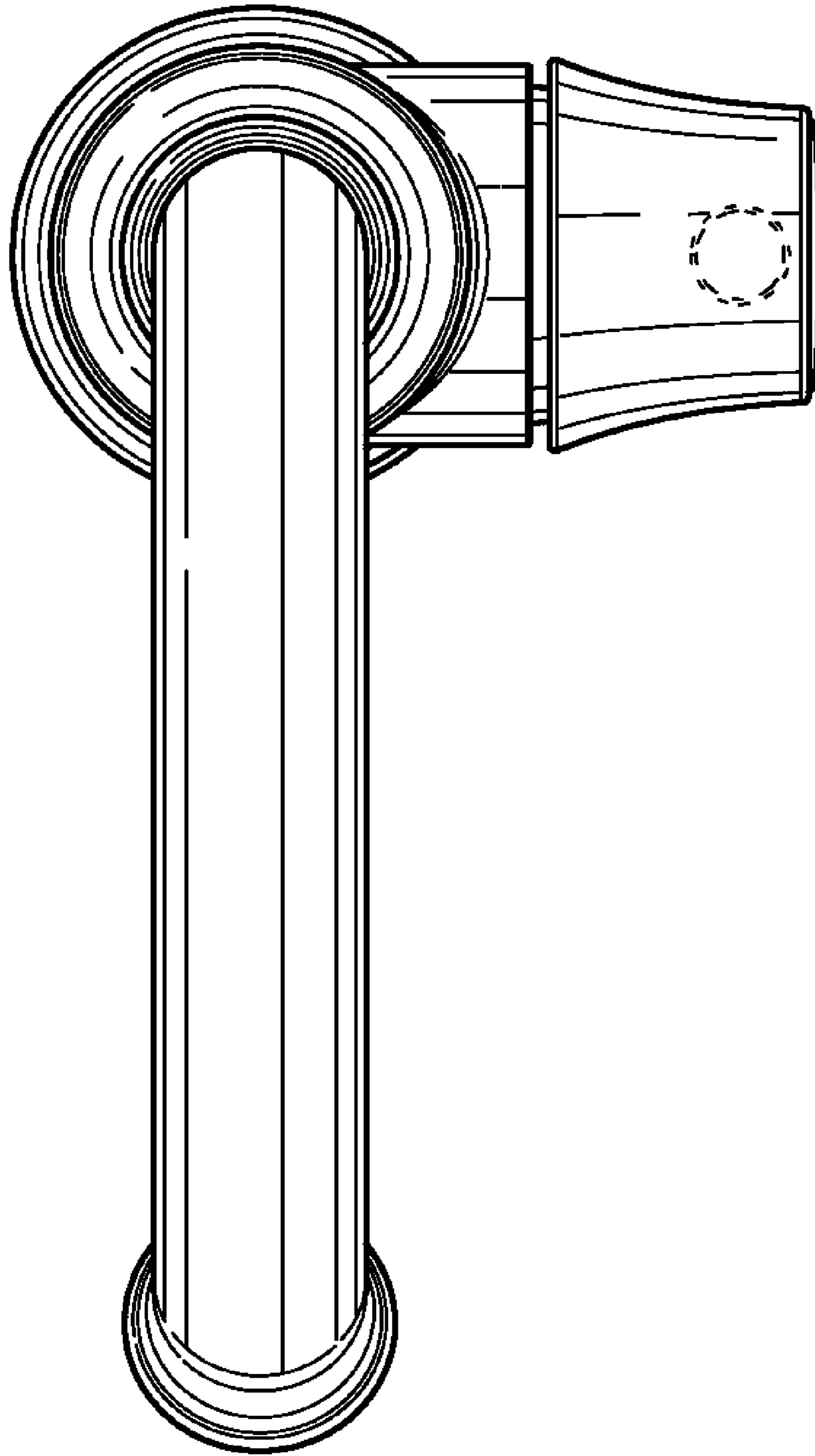


FIG. 6