



US00D611119S

(12) **United States Design Patent**
Renosky

(10) **Patent No.:** **US D611,119 S**
(45) **Date of Patent:** **** Mar. 2, 2010**

(54) **HOOK WITH RATTLE WITH HUB-LOCK**
(76) Inventor: **Joseph F. Renosky**, P.O. Box 1198 90
Christy Park Dr., Indiana, PA (US) 15701

(**) Term: **14 Years**

(21) Appl. No.: **29/314,447**

(22) Filed: **Apr. 1, 2009**

(51) **LOC (9) Cl.** **22-05**

(52) **U.S. Cl.** **D22/144**

(58) **Field of Classification Search** D22/144,
D22/126-133; 43/42.4, 42.6, 42.25, 42.13,
43/42.19, 17.6, 42.34, 42.31

See application file for complete search history.

(56) **References Cited**

U.S. PATENT DOCUMENTS

D214,269	S	*	5/1969	Jeff	D22/144
3,640,014	A	*	2/1972	Gurka	43/42.43
3,750,321	A	*	8/1973	McClellan	D22/126
D322,835	S	*	12/1991	Snyder	D22/126
D511,368	S	*	11/2005	Becker	D22/144

* cited by examiner

Primary Examiner—Catherine R Oliver
(74) *Attorney, Agent, or Firm*—George H Morgan PL

(57) **CLAIM**

The ornamental design for a hook with rattle with hub-lock, as shown.

DESCRIPTION

A portion of the disclosure of the patent document contains material to which a claim for copyright is made. The copyright owner has no objection to the facsimile reproduction by anyone of the patent document or the patent disclosure, as it appears in the Patent and Trademark Office patent file or records, but reserves all other copyrights whatsoever.

FIG. 1 is a front perspective view of a hook with rattle with hub-lock showing my new ornamental design.

FIG. 2 is a rear perspective view thereof.

FIG. 3 is a top view thereof.

FIG. 4 is a front view thereof.

FIG. 5 is a rear view thereof.

FIG. 6 is a left side view thereof; and,

FIG. 7 is a right side view thereof.

1 Claim, 3 Drawing Sheets

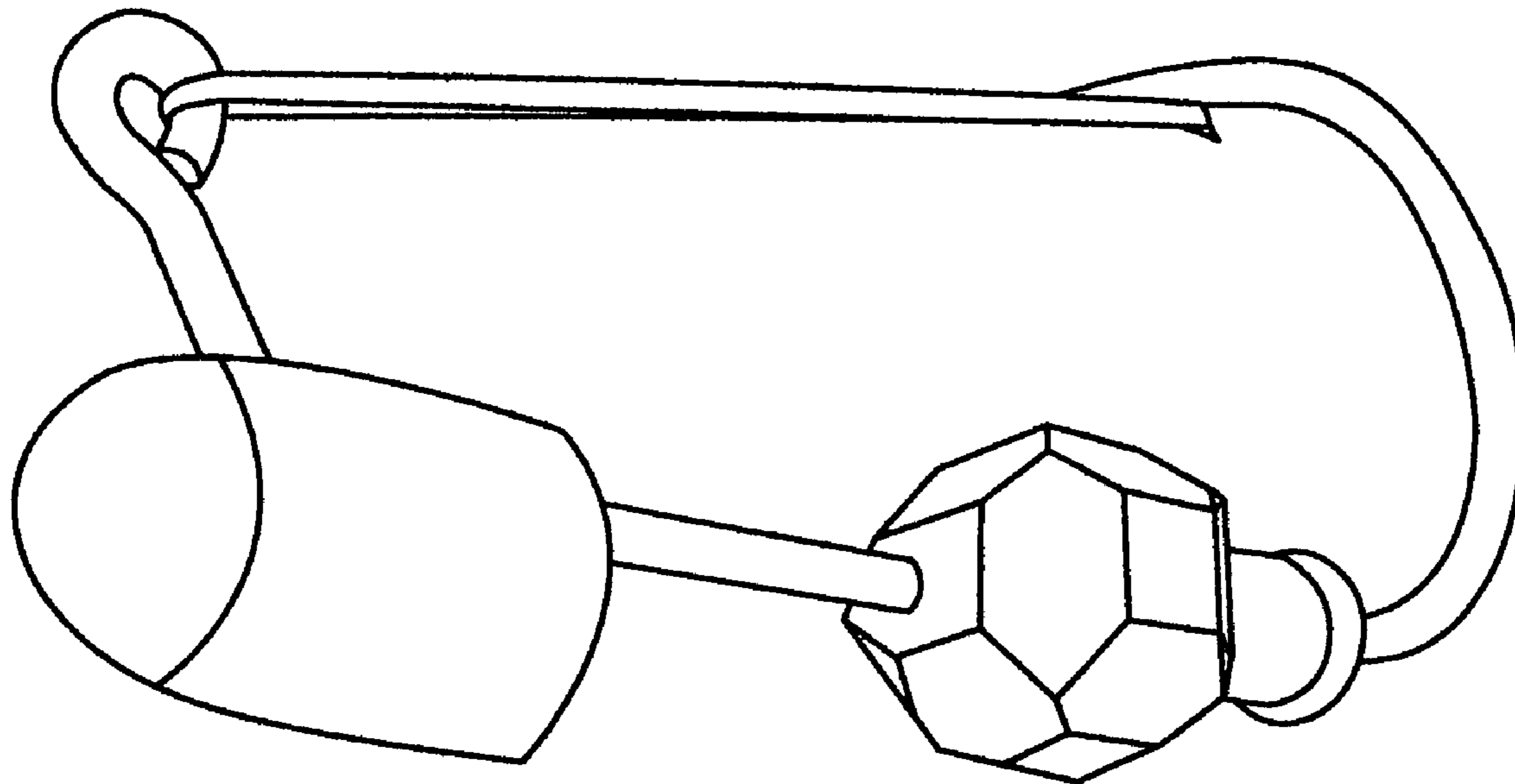


Fig. 1

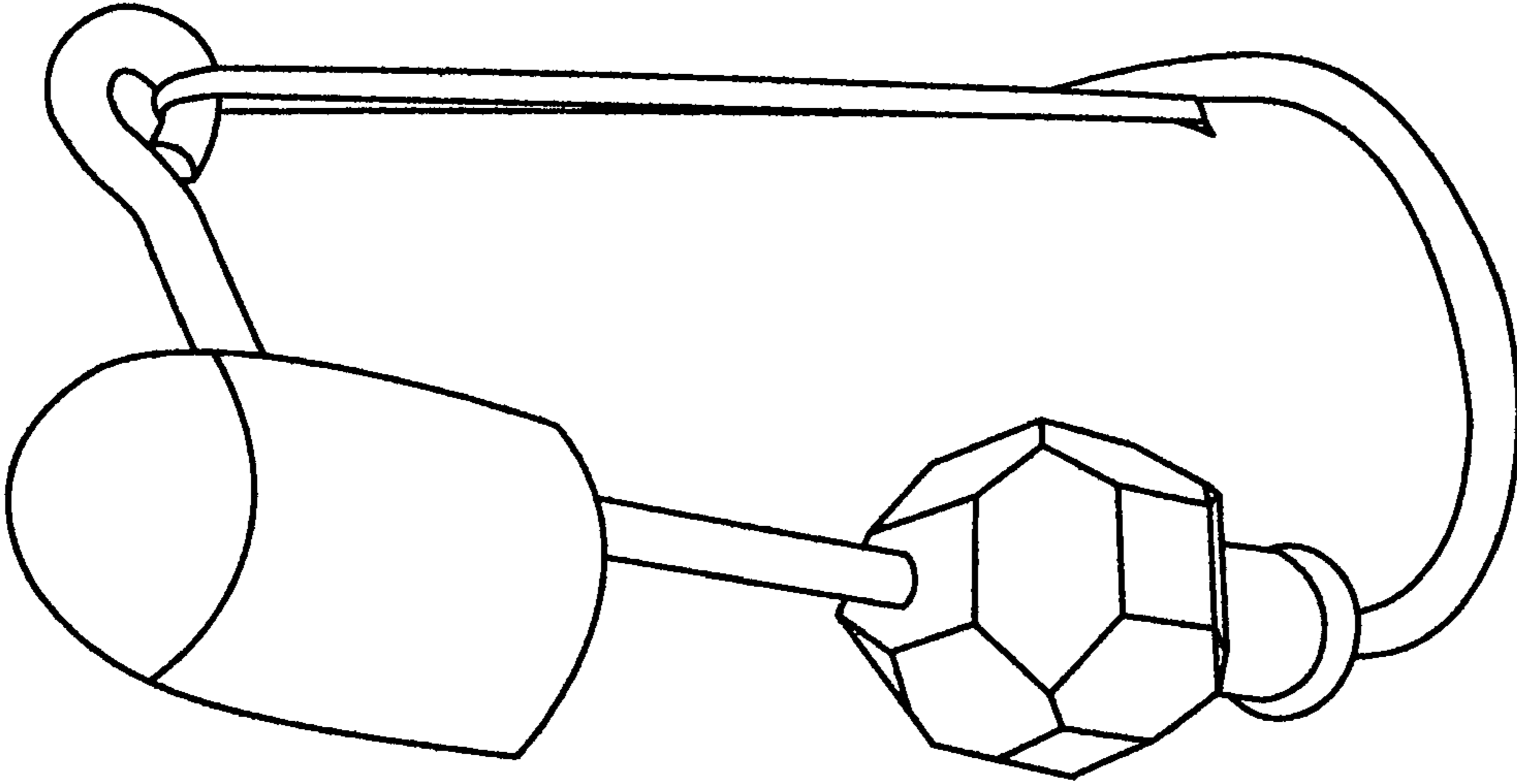


Fig. 2

