



US00D611113S

(12) **United States Design Patent**
Kay

(10) **Patent No.:** **US D611,113 S**
(45) **Date of Patent:** **** Mar. 2, 2010**

(54) **LOW PROFILE SIGHT**

DESCRIPTION

(76) Inventor: **Ira Mark Kay**, 7470 Foxview Dr.,
Warrenton, VA (US) 20186

(**) Term: **14 Years**

(21) Appl. No.: **29/307,209**

(22) Filed: **Apr. 4, 2008**

(51) **LOC (9) Cl.** **22-01**

(52) **U.S. Cl.** **D22/109**

(58) **Field of Classification Search** D22/108-110,
D22/199; D16/132, 130, 133, 330, 134;
359/399, 823, 744; 42/111, 133, 119, 122
See application file for complete search history.

(56) **References Cited**

U.S. PATENT DOCUMENTS

D273,217 S * 3/1984 Swenson D22/109
D305,146 S * 12/1989 Novak D22/109
D352,087 S * 11/1994 Stevens et al. D22/109
D354,111 S * 1/1995 Karppinen D22/109

(Continued)

Primary Examiner—T. Chase Nelson

Assistant Examiner—Michael A Pratt

(74) *Attorney, Agent, or Firm*—Shlesinger, Arkwright &
Garvey LLP

(57) **CLAIM**

The ornamental design for a low profile sight, as shown and
described.

FIG. 1 is a front perspective view of a low profile sight
showing my new design;

FIG. 2 is a rear perspective view of FIG. 1;

FIG. 3 is a front view of FIG. 1;

FIG. 4 is a rear view of FIG. 1;

FIG. 5 is a side view of FIG. 1;

FIG. 6 is a top plan view of FIG. 1;

FIG. 7 is a bottom view of FIG. 1;

FIG. 8 is a rear perspective view of another embodiment of a
low profile sight showing my new design;

FIG. 9 is a rear view of FIG. 8;

FIG. 10 is a rear perspective view of yet another embodiment
of a low profile sight showing my new design;

FIG. 11 is a rear view of FIG. 10;

FIG. 12 is still another embodiment of a low profile sight
showing my new design; and,

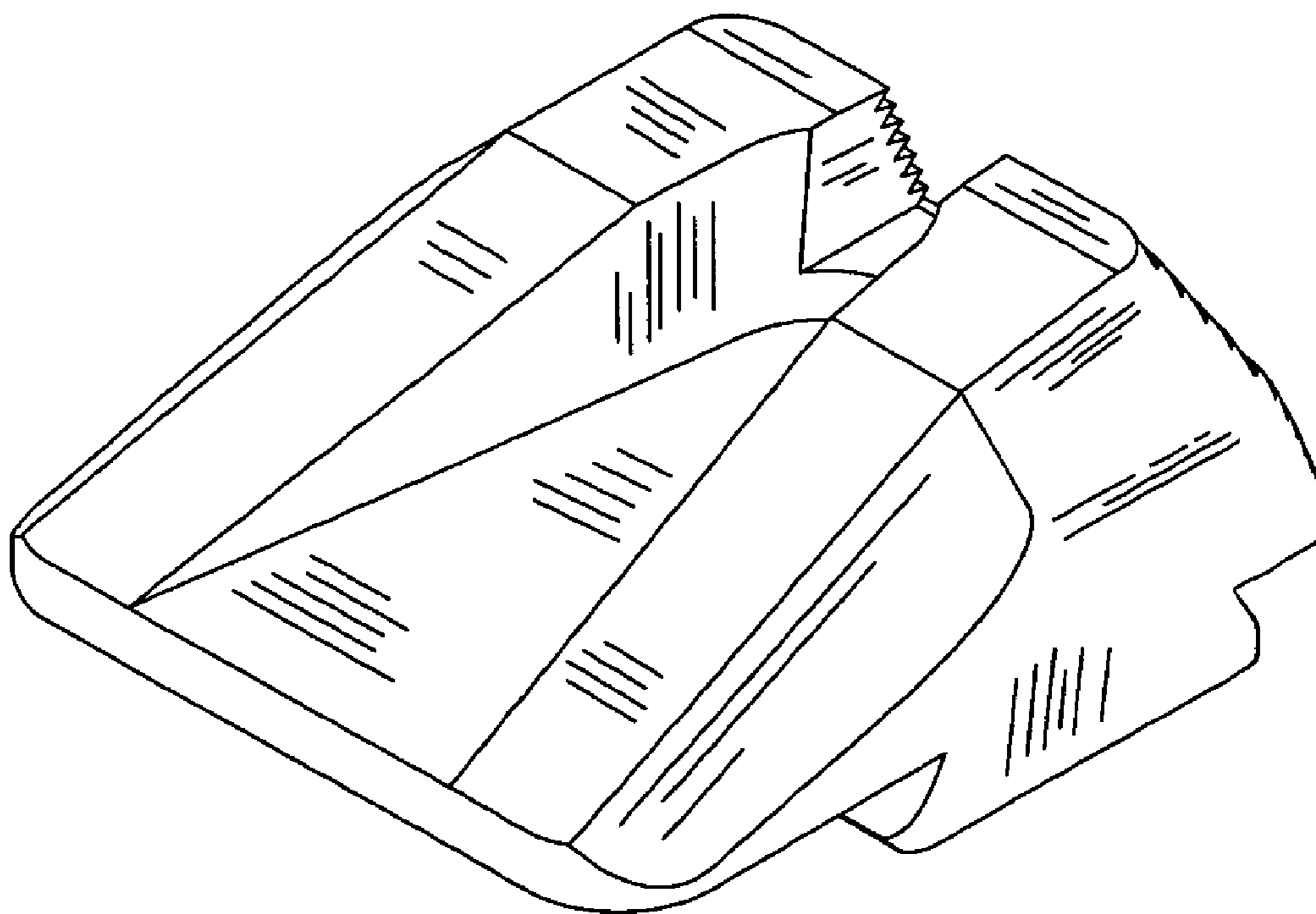
FIG. 13 is a rear view of FIG. 12.

The rear views of FIGS. 8, 10, and 12, represent the second
through fourth embodiments of the design with all other
views being the same as that shown in the first embodiment,
FIGS. 1-7.

My low profile sight is characterized by a gradually sloping
rear surface, and a side view that tapers from the rear surface
to the front.

Portions of the low profile sight shown in broken lines form
no part of the claimed design.

1 Claim, 6 Drawing Sheets



US D611,113 S

Page 2

U.S. PATENT DOCUMENTS

D361,366 S *	8/1995	Emerson	D22/109	D447,205 S *	8/2001	Keng	D22/109
D363,334 S *	10/1995	De Oliveira Masina	D22/109	D447,206 S *	8/2001	Ling, Jr.	D22/109
D387,844 S *	12/1997	Emerson	D22/109	D492,747 S *	7/2004	LoRocco	D22/109
D399,292 S *	10/1998	Emerson	D22/109	D512,760 S *	12/2005	Warren	D22/109
D403,734 S *	1/1999	Kay	D22/109	D520,099 S *	5/2006	Warren	D22/109
D406,630 S *	3/1999	Emerson	D22/109	D526,695 S *	8/2006	Warren	D22/109
D406,631 S *	3/1999	Emerson	D22/109	D527,068 S *	8/2006	Warren	D22/109
D407,788 S *	4/1999	Kay	D22/109	D531,693 S *	11/2006	Warren et al.	D22/109
D414,835 S *	10/1999	Ottelman et al.	D22/108	D533,616 S *	12/2006	Warren	D22/109
D432,618 S *	10/2000	Wilson	D22/109	D533,617 S *	12/2006	Warren	D22/109
D435,281 S *	12/2000	Ling, Jr.	D22/109	D534,986 S *	1/2007	Warren et al.	D22/109
D435,624 S *	12/2000	Ling, Jr.	D22/109	D541,897 S *	5/2007	Warren et al.	D22/109
D435,625 S *	12/2000	Ling, Jr.	D22/109	D560,744 S *	1/2008	Warren et al.	D22/108

* cited by examiner

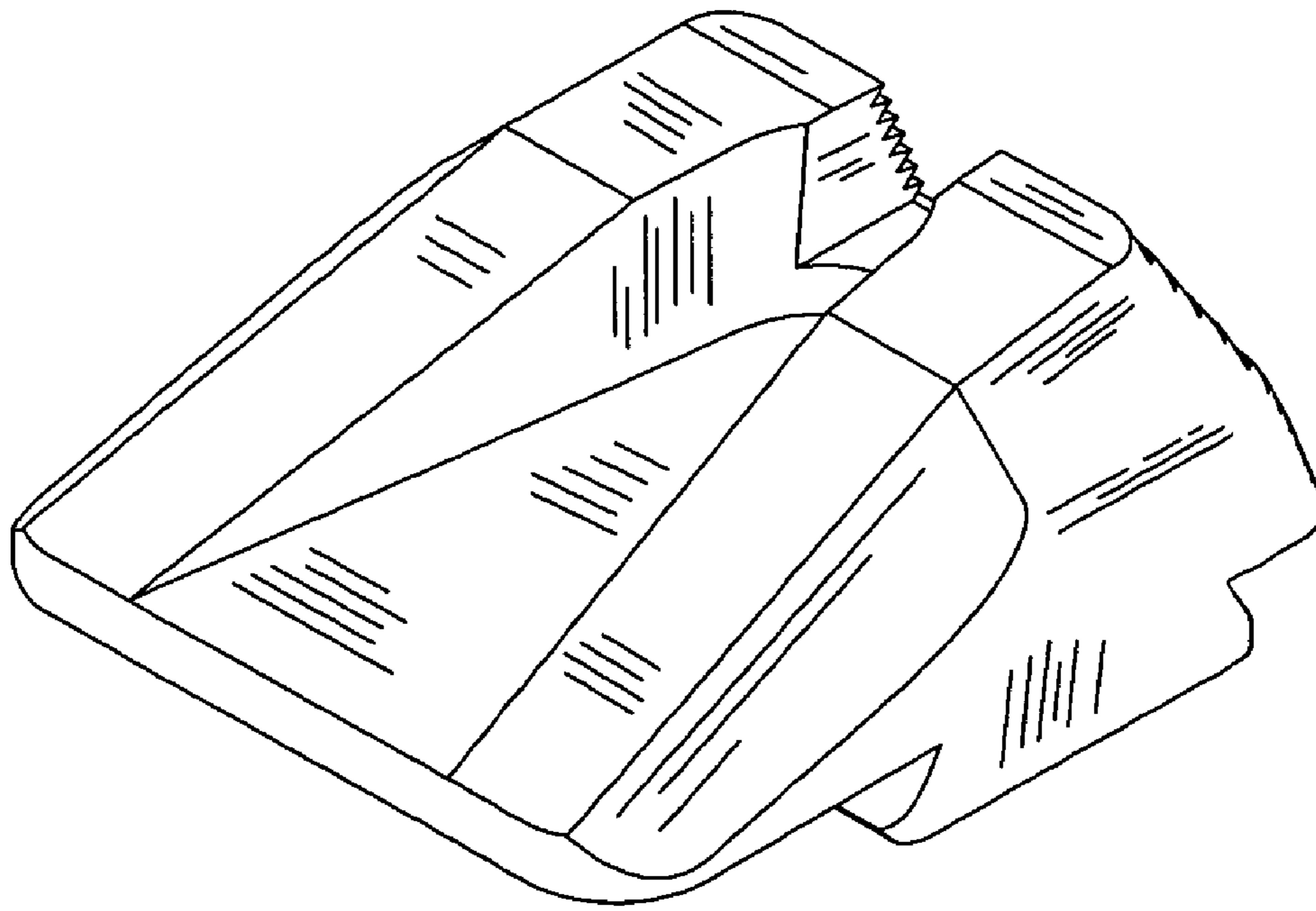


FIG. 1

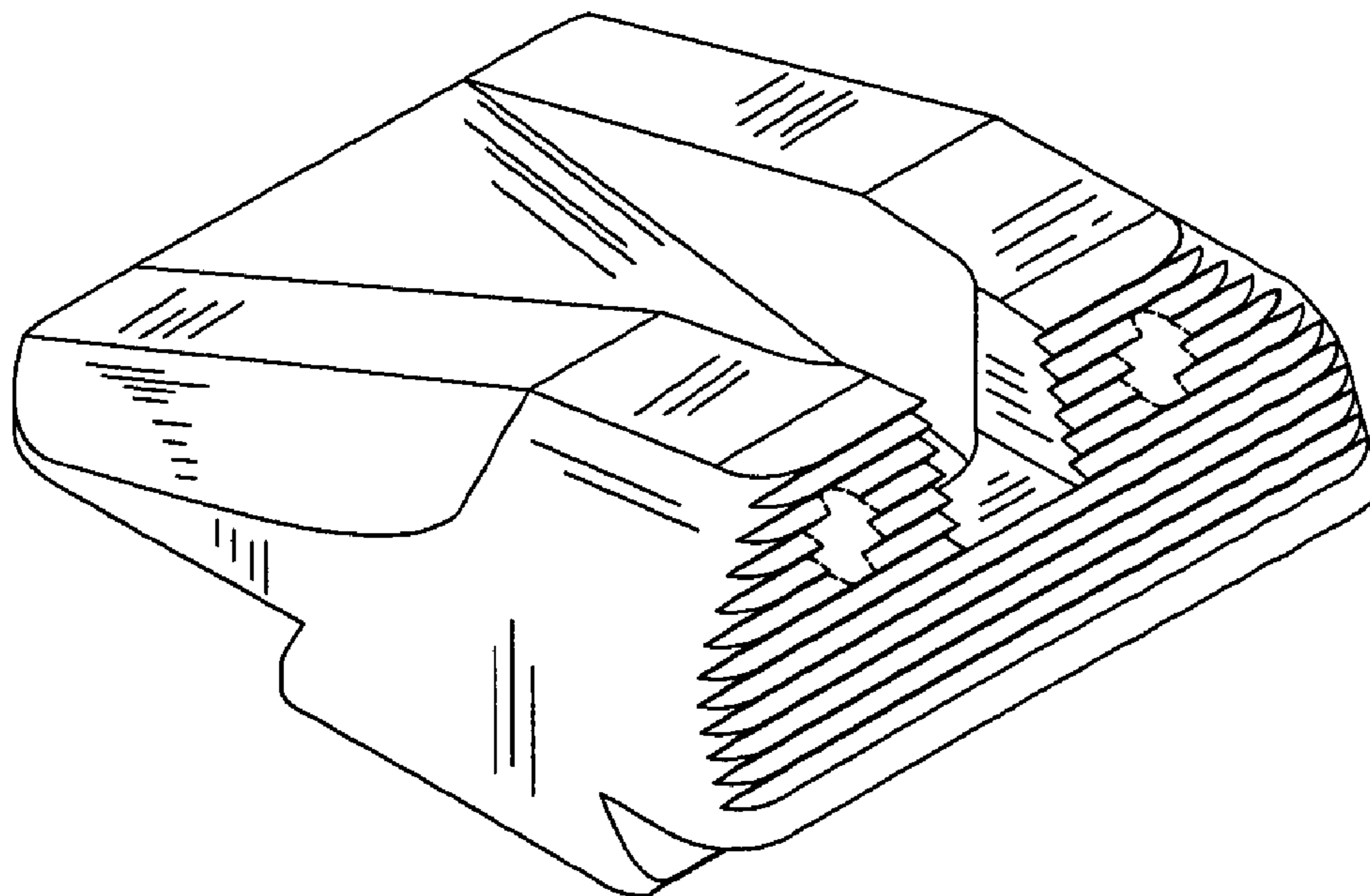


FIG. 2

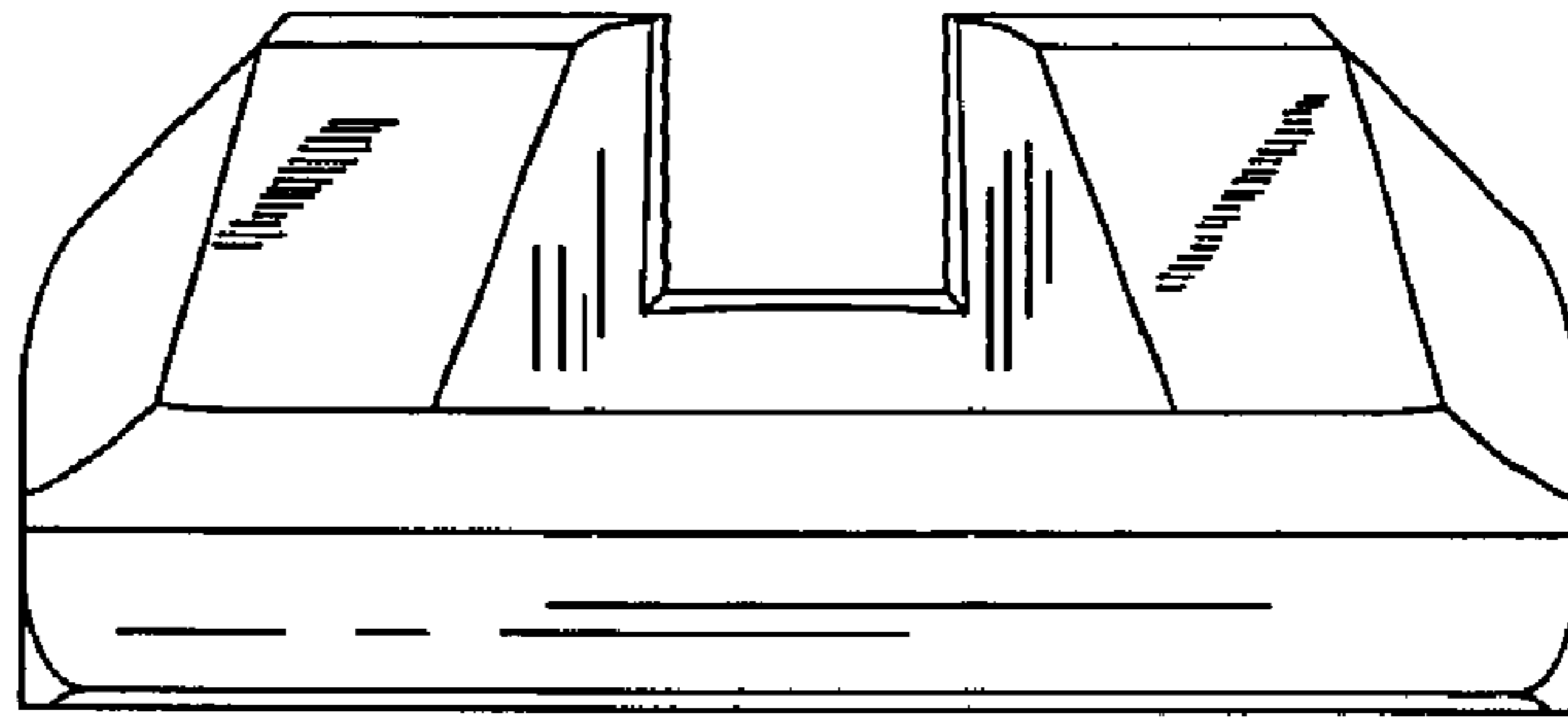


FIG. 3

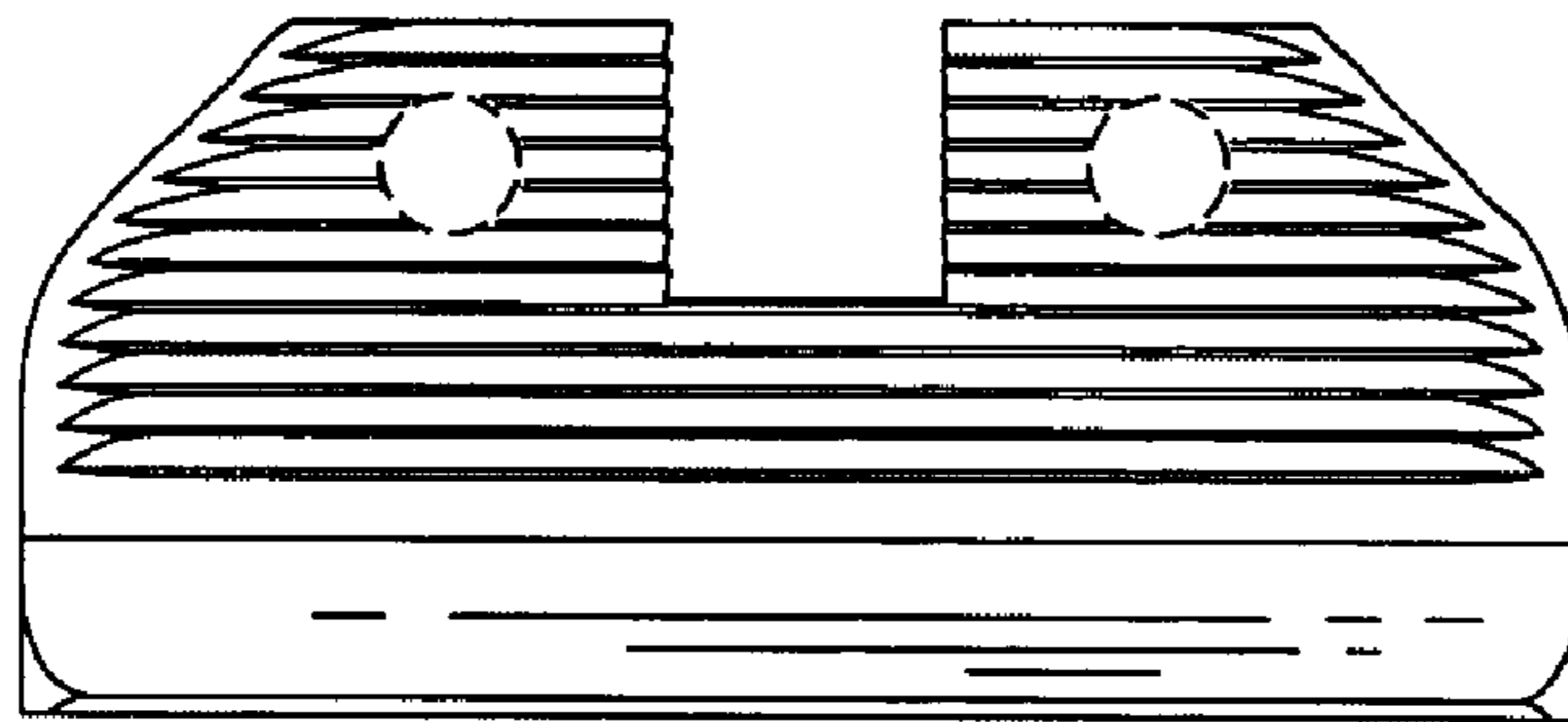


FIG. 4

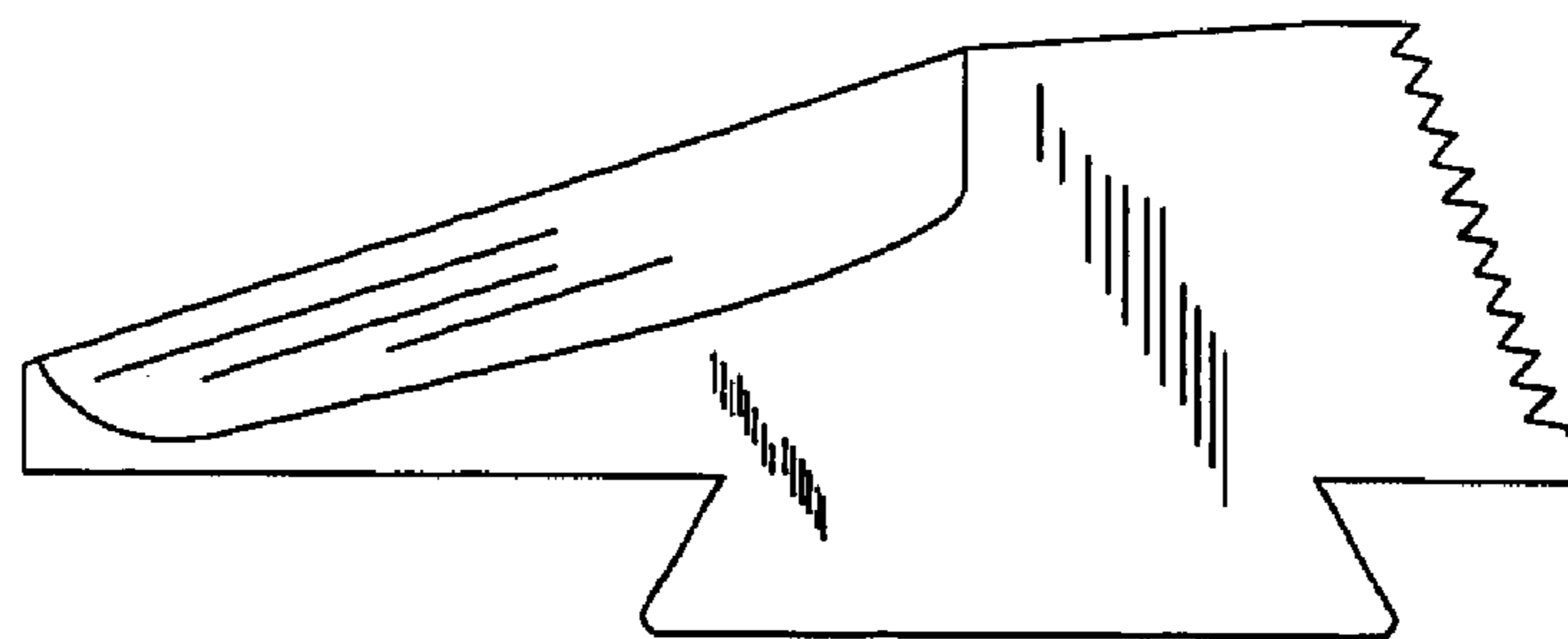


FIG. 5

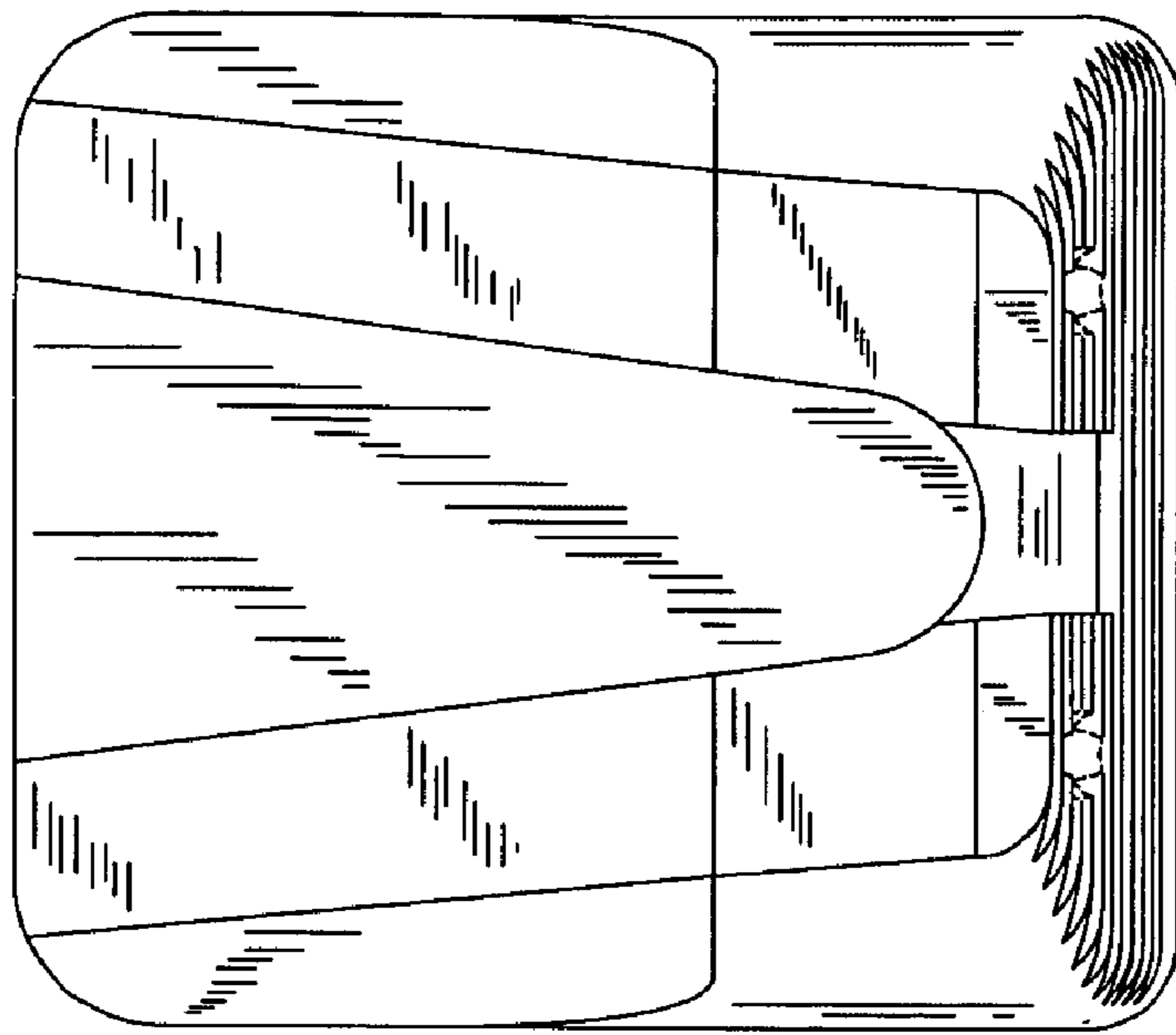


FIG. 6

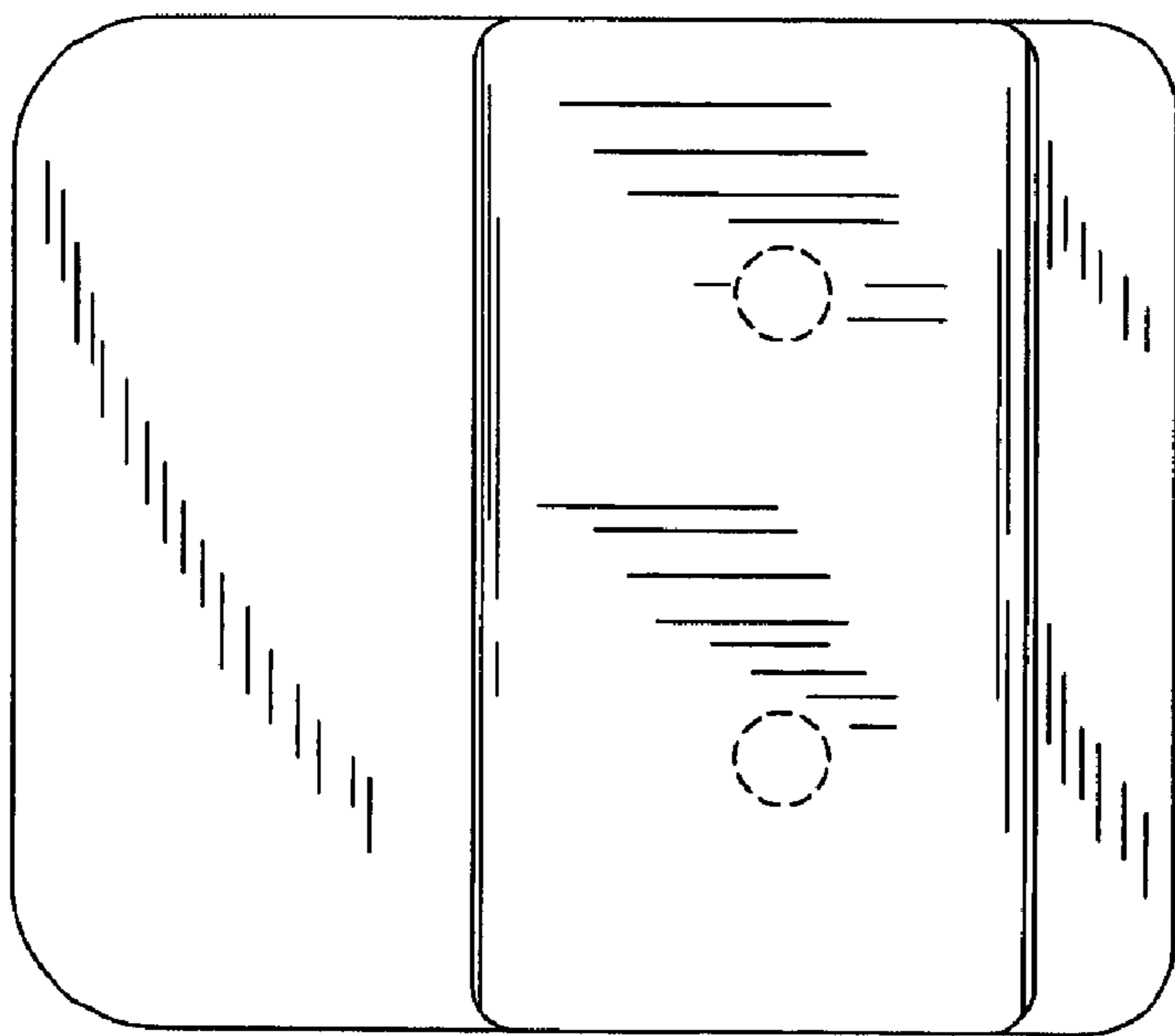


FIG. 7

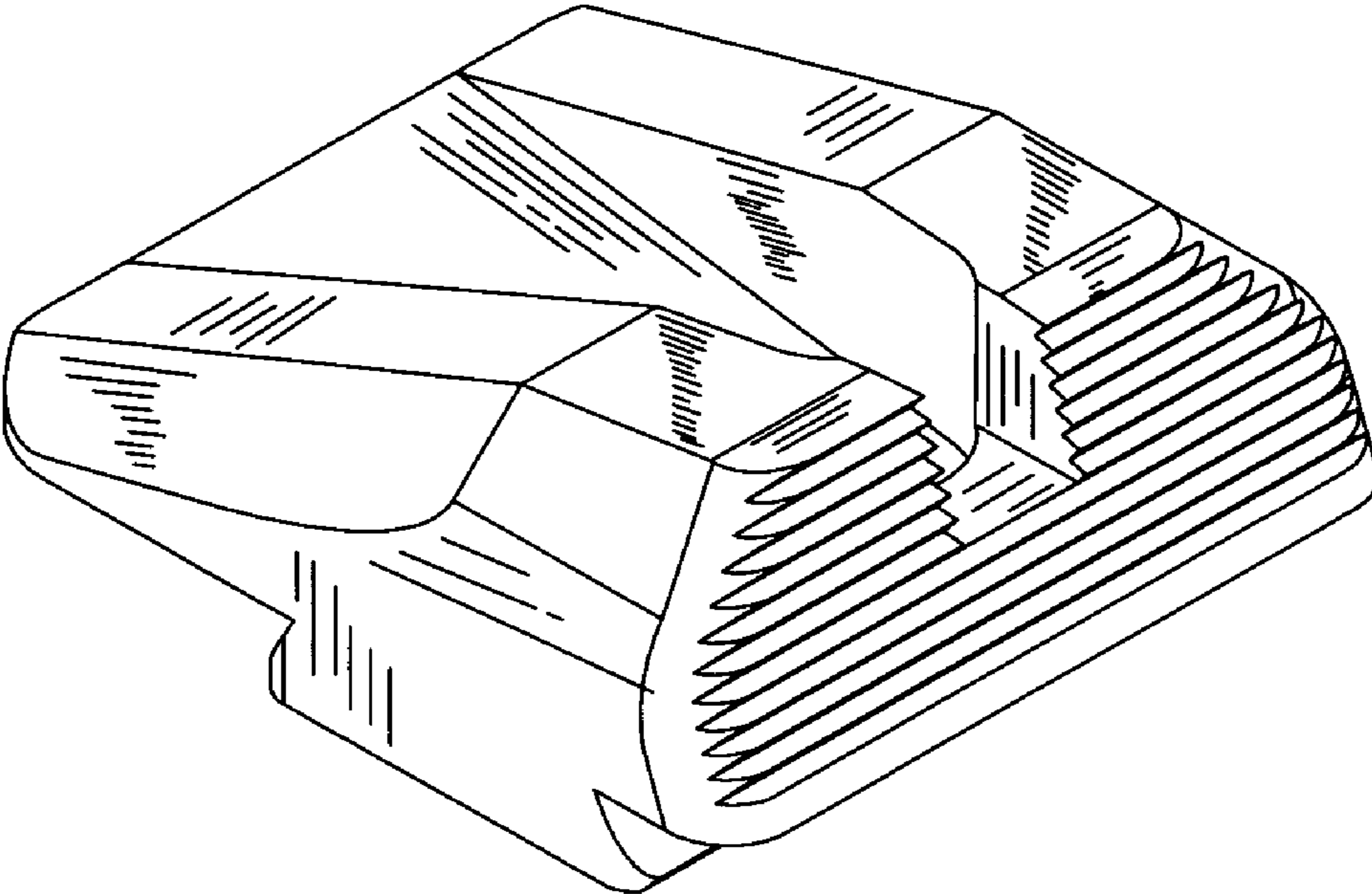


FIG. 8

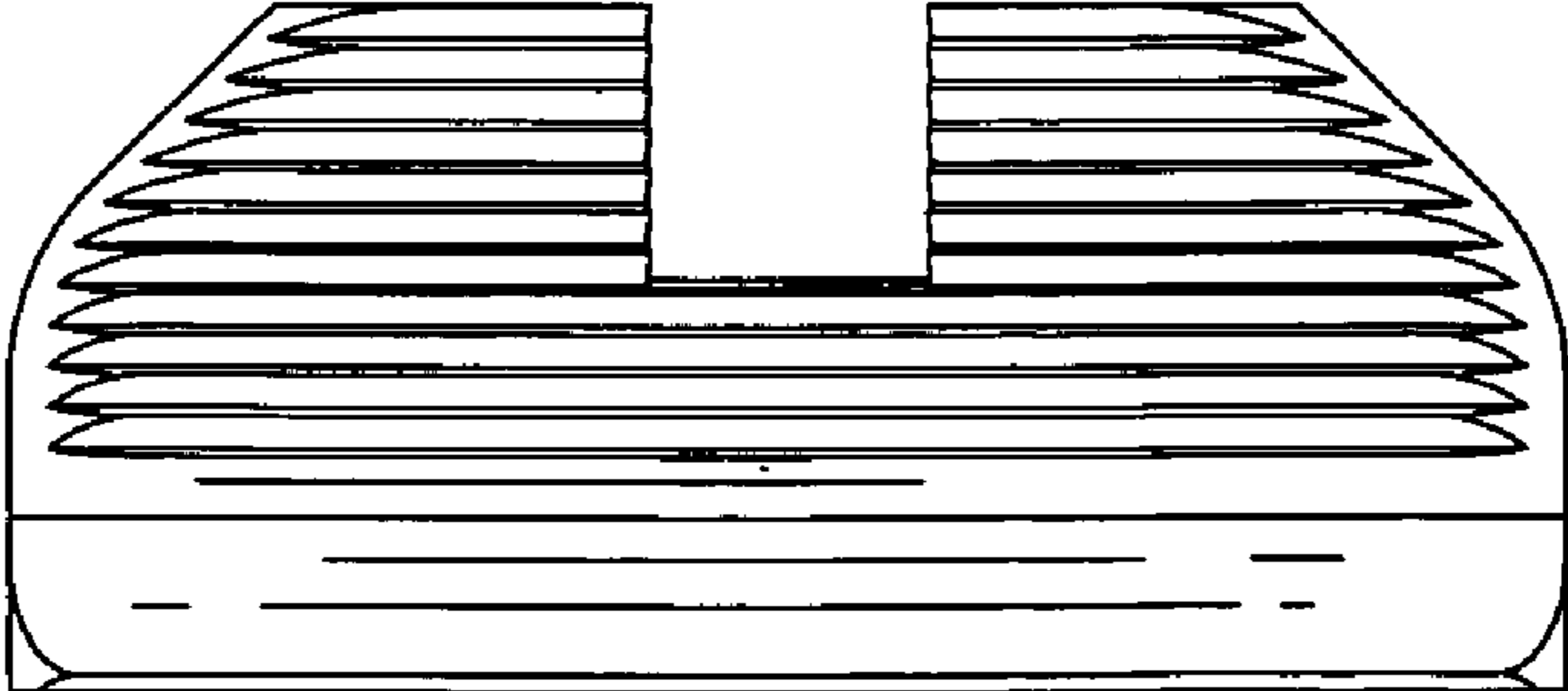


FIG. 9

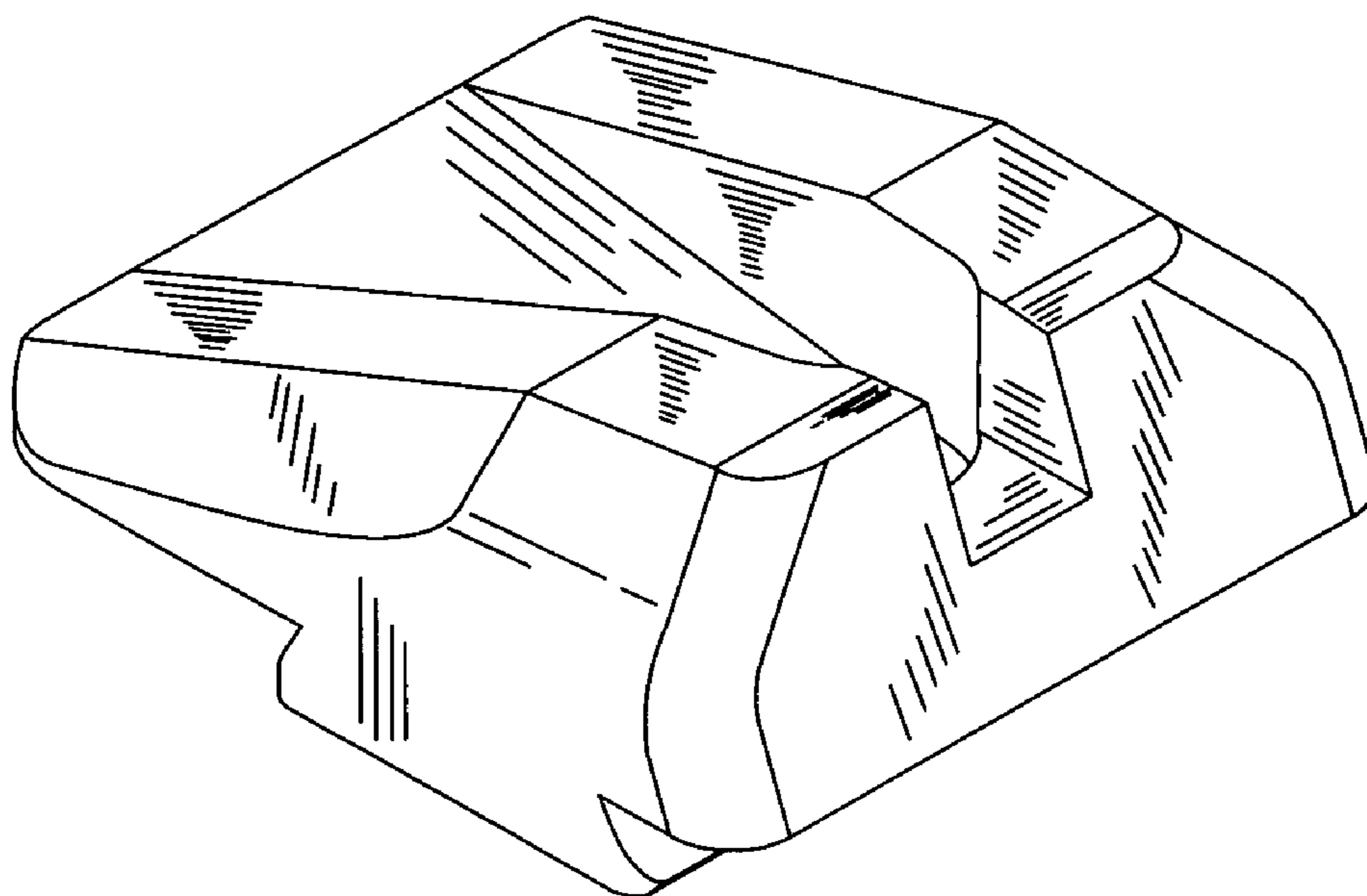


FIG. 10

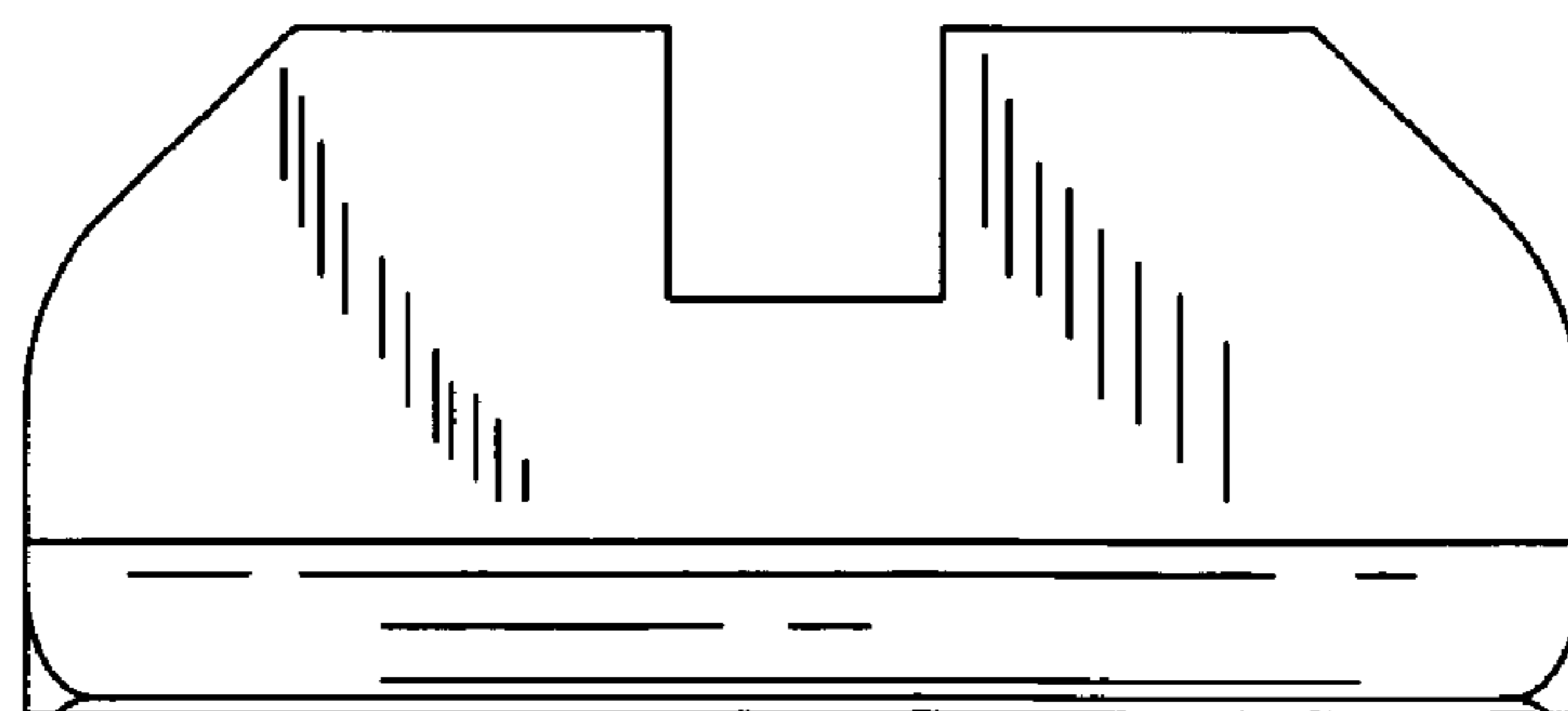


FIG. 11

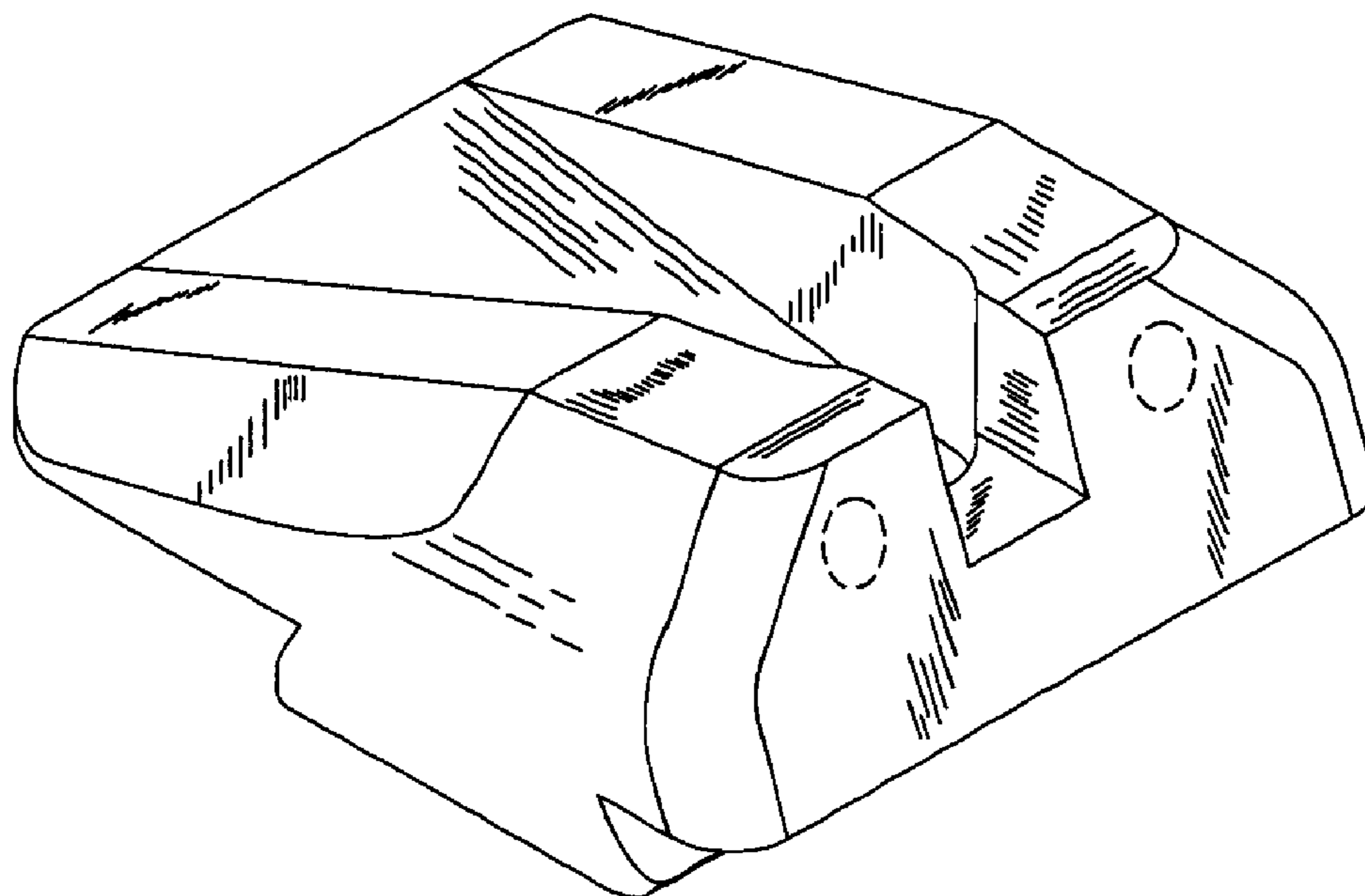


FIG. 12

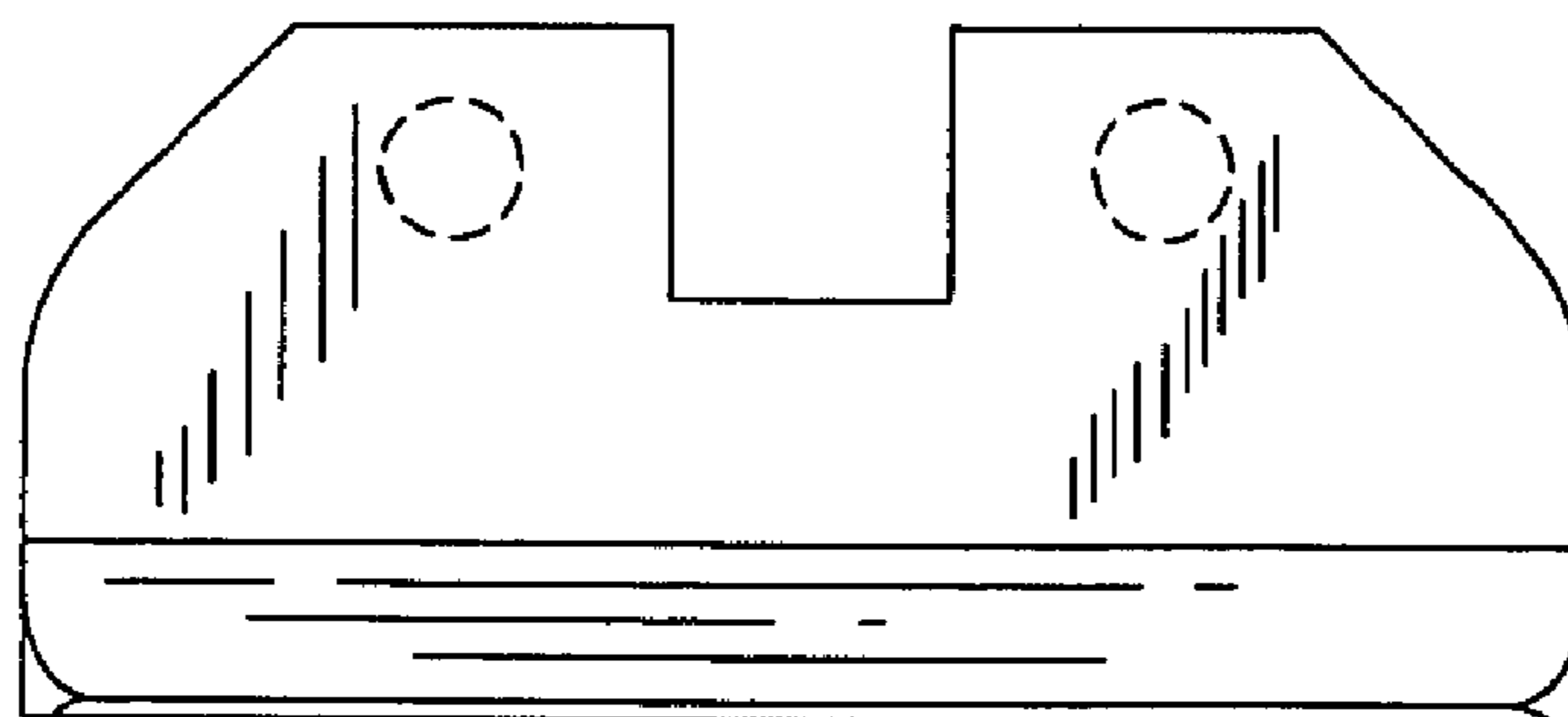


FIG. 13