



US00D611111S

(12) **United States Design Patent**
Hajjar et al.

(10) **Patent No.:** **US D611,111 S**
(45) **Date of Patent:** **** Mar. 2, 2010**

(54) **SHOTGUN**

(74) *Attorney, Agent, or Firm*—Factor & Lake

(75) Inventors: **Jeffrey Hajjar**, Eagle, ID (US); **Warren Stockton**, Meridian, ID (US)

(57) **CLAIM**

The ornamental design for shotgun, as shown and described.

(73) Assignee: **Snake River Machine, Inc.**, Meridian, ID (US)

DESCRIPTION

(**) Term: **14 Years**

(21) Appl. No.: **29/308,261**

This application is also related to U.S. patent Nos. 6,877,265 and 7,380,361.

(22) Filed: **Jun. 6, 2008**

FIG. 1 is a perspective view of the shotgun showing a new ornamental design thereof;

Related U.S. Application Data

(63) Continuation-in-part of application No. 11/505,689, filed on Aug. 17, 2006.

FIG. 2 is a right side elevation view of the shotgun shown in FIG. 1;

(51) **LOC (9) Cl.** **22-01**

(52) **U.S. Cl.** **D22/103**

FIG. 3 is a left side elevation view of the shotgun shown in FIG. 1;

(58) **Field of Classification Search** D22/100, D22/101, 103, 104, 108, 199; D21/572, D21/573; 42/51, 71.01, 75.01, 75.02, 90, 42/94, 134, 136, 139, 125, 72, 111; 362/110; 33/241, 277; 313/105 R; 89/40.06, 41.19, 89/37.04, 33.04, 191.01, 200–204; 124/67, 124/66, 74

See application file for complete search history.

FIG. 4 is a top plan view of the shotgun shown in FIG. 1;

FIG. 5 is a bottom plan view of the shotgun shown in FIG. 1;

FIG. 6 is a front elevation view of the shotgun shown in FIG. 1;

FIG. 7 is a rear elevation view of the shotgun shown in FIG. 1;

FIG. 8 is a perspective view of an alternate embodiment of the shotgun shown in FIG. 1;

FIG. 9 is a right side elevation view of the shotgun shown in FIG. 8;

(56) **References Cited**

U.S. PATENT DOCUMENTS

202,613 A 4/1878 White

(Continued)

FOREIGN PATENT DOCUMENTS

EP 0 559 416 A1 8/1993

OTHER PUBLICATIONS

Combat shotguns (online), material copied Jul. 2002) Retrieved using Internet URL:<http://world.guns.ru/shotgun/SHOO-E.HTM>.

FIG. 10 is a left side elevation view of the shotgun shown in FIG. 8;

FIG. 11 is a top plan view of the shotgun shown in FIG. 8;

FIG. 12 is a bottom plan view of the shotgun shown in FIG. 8;

FIG. 13 is a front elevation view of the shotgun shown in FIG. 8; and,

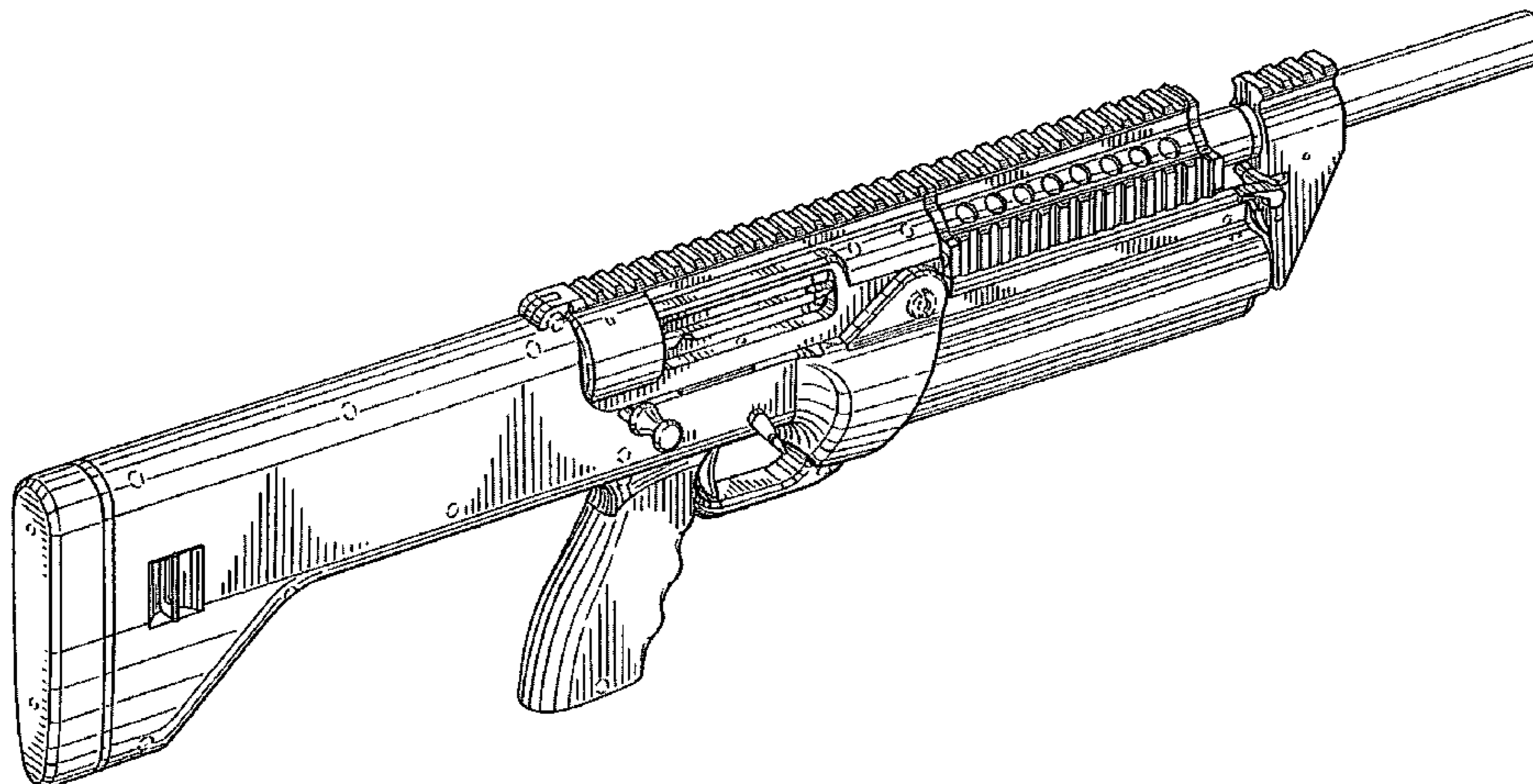
FIG. 14 is a rear elevation view of the shotgun shown in FIG. 8.

The design is shown broken apart in FIGS. 8–14 to indicate that no specific length is claimed.

Primary Examiner—T. Chase Nelson

Assistant Examiner—Michael A Pratt

1 Claim, 6 Drawing Sheets



US D611,111 S

Page 2

U.S. PATENT DOCUMENTS					
			4,905,395 A	3/1990	Wagner
			4,922,640 A	5/1990	Toombs
			4,938,116 A	7/1990	Royster
			5,054,221 A	10/1991	Ozols
			5,119,575 A	6/1992	Gajdica
			5,259,137 A	11/1993	Blenk et al.
			5,367,810 A	11/1994	Stead et al.
			5,400,536 A	3/1995	Milliman
			5,682,007 A	10/1997	Dobbins
			5,710,389 A	1/1998	Canaday
			5,983,774 A	11/1999	Mihaita
			6,079,138 A	6/2000	Meaker
			6,530,306 B1	3/2003	LaFleur
			6,588,312 B2	7/2003	Murello et al.
			6,761,102 B2	7/2004	Giza
			6,877,265 B2	4/2005	Hajjar et al.
			D512,117 S *	11/2005	Murello et al. D22/103
			D542,877 S *	5/2007	Murello et al. D22/103
			D547,818 S *	7/2007	Wolfe D22/103
			7,299,737 B2	11/2007	Hajjar et al.
			7,380,361 B2	6/2008	Hajjar et al.
			2003/0150322 A1	8/2003	Barrett
			2003/0183068 A1	10/2003	LaFleur
					* cited by examiner
224,742 A	2/1880	Swingle			
580,679 A	4/1897	Davenport			
601,843 A	4/1898	McClellan			
618,369 A	1/1899	Wilson			
1,115,979 A	11/1914	Sillix			
1,420,471 A	6/1922	Carter			
1,734,852 A	11/1929	Frampton et al.			
D117,638 S *	11/1939	Pugsley D22/103			
2,336,146 A	12/1943	Williams			
2,370,189 A	2/1945	Penney			
2,482,398 A	9/1949	Blanton et al.			
2,921,502 A	1/1960	Amsler			
2,948,185 A	8/1960	Linder			
3,153,982 A	10/1964	Seifried			
3,407,702 A	10/1968	Cermak et al.			
3,473,434 A	10/1969	Brieger			
3,698,115 A	10/1972	Henning			
3,738,219 A	6/1973	Febres			
3,757,449 A	9/1973	Schindler			
3,848,510 A	11/1974	Wolpert			
3,991,501 A	11/1976	Larsson			
4,821,442 A	4/1989	Bock			
4,856,410 A	8/1989	Anderson			

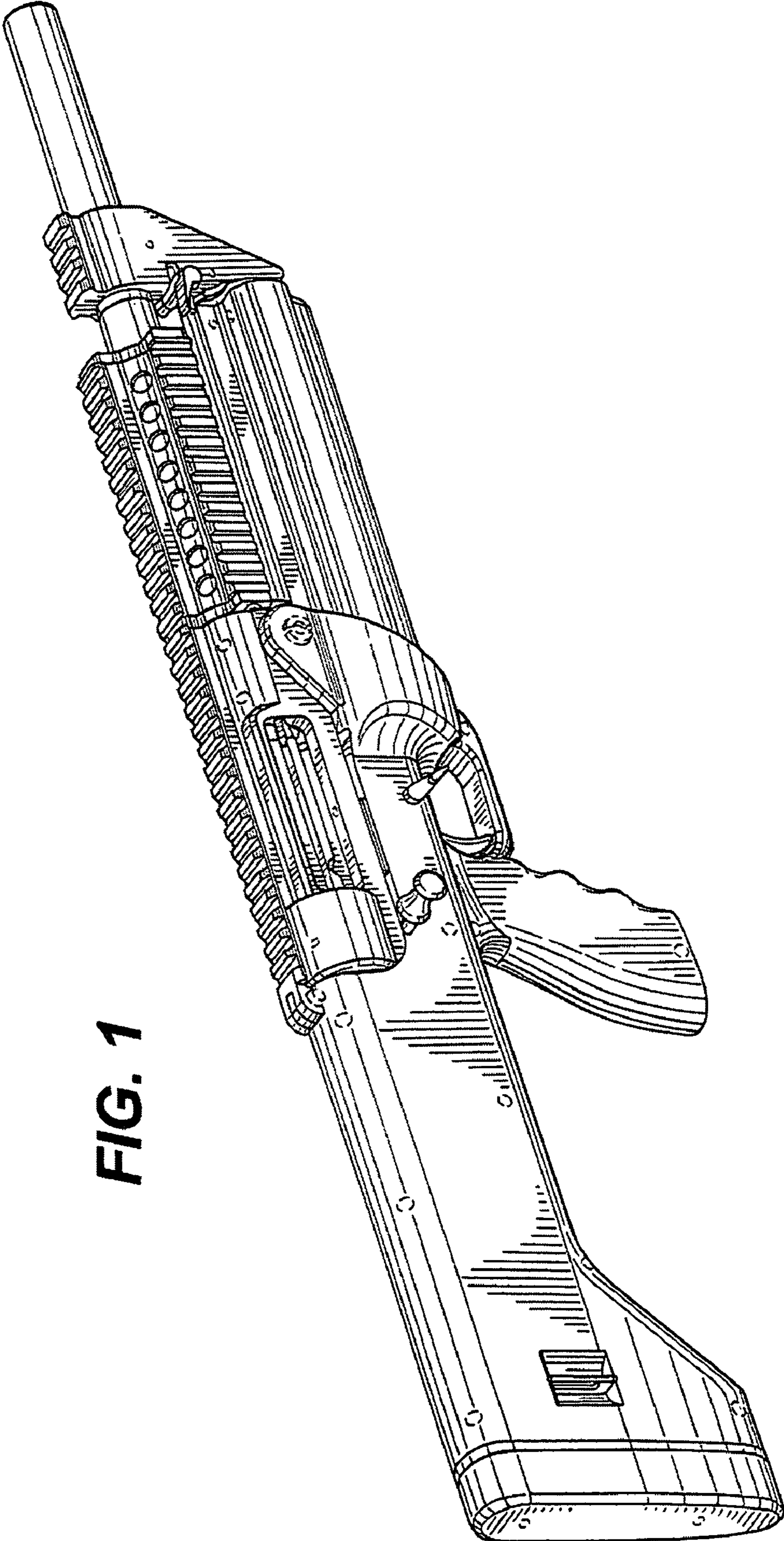


FIG. 1

FIG. 2

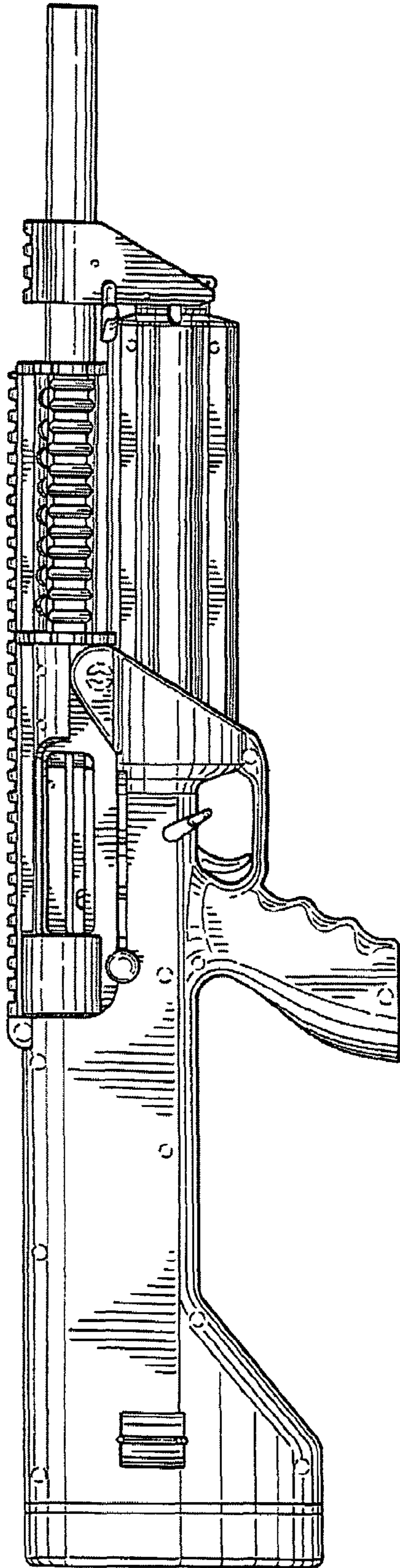
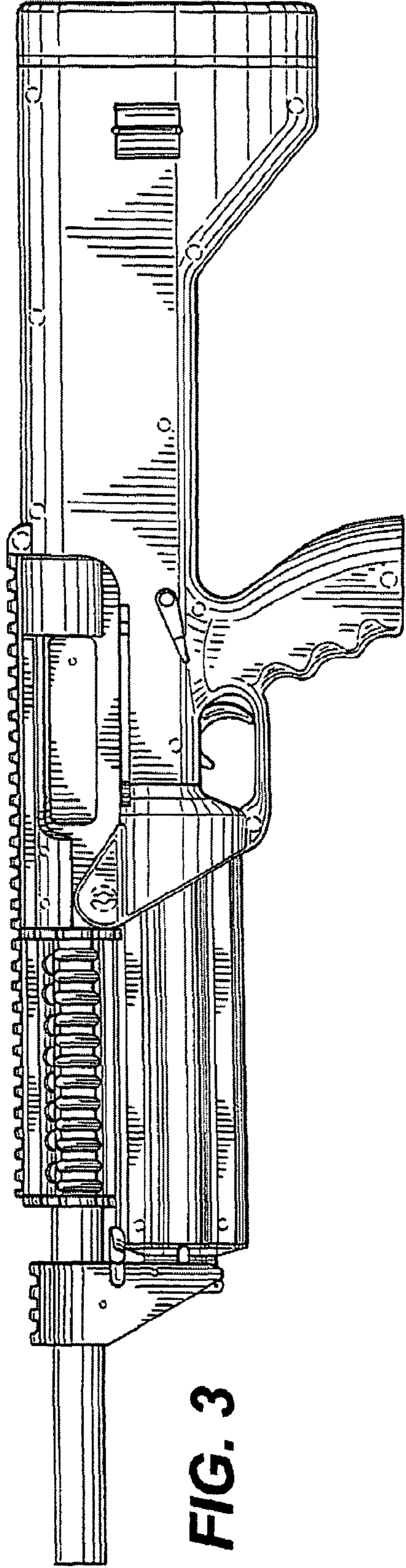


FIG. 3



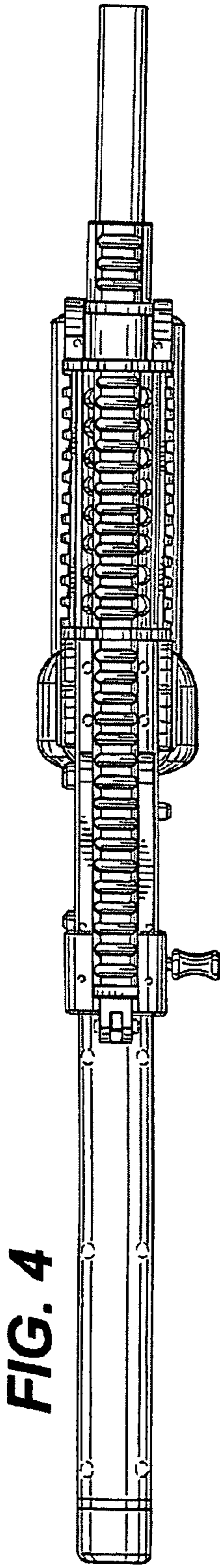


FIG. 4

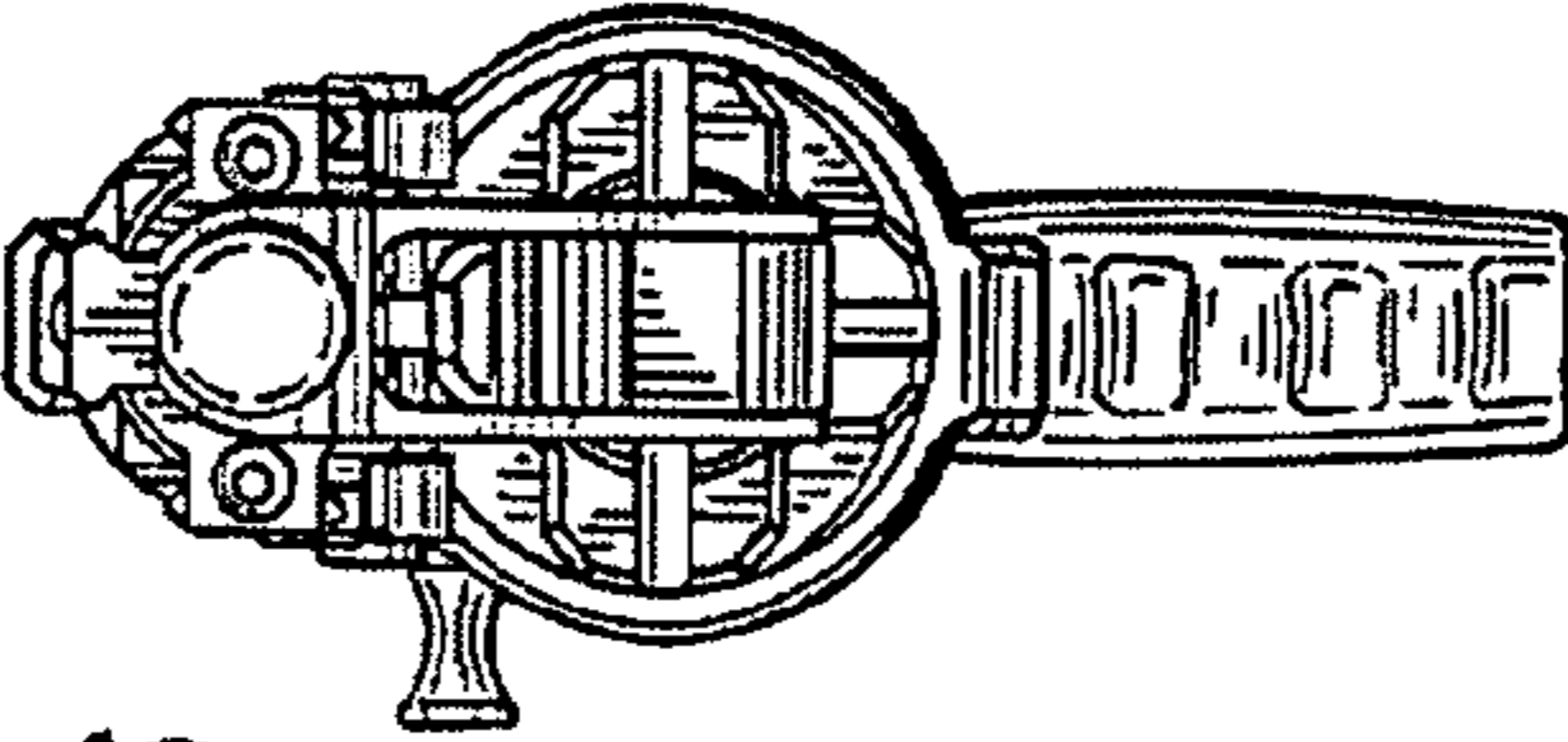


FIG. 6

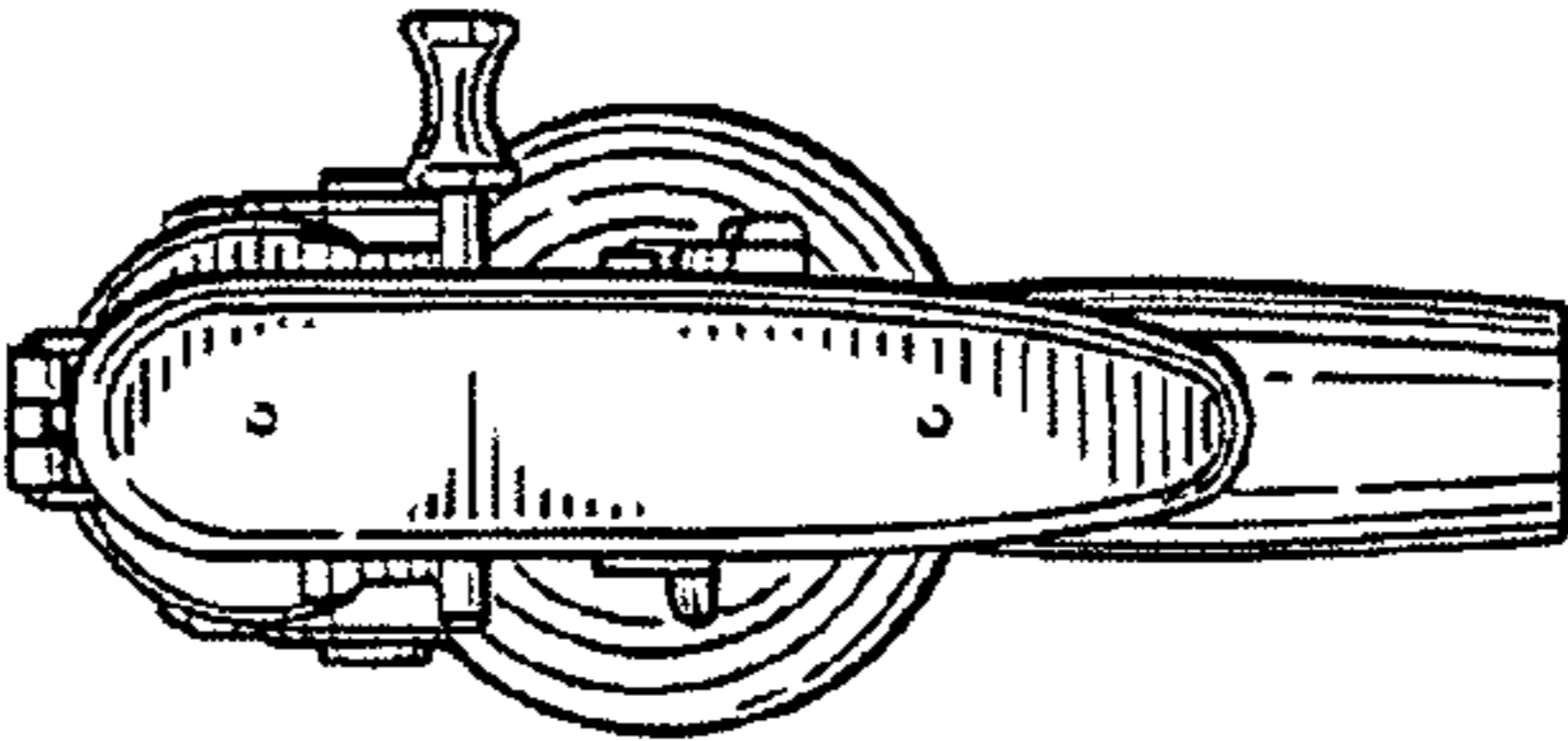


FIG. 5

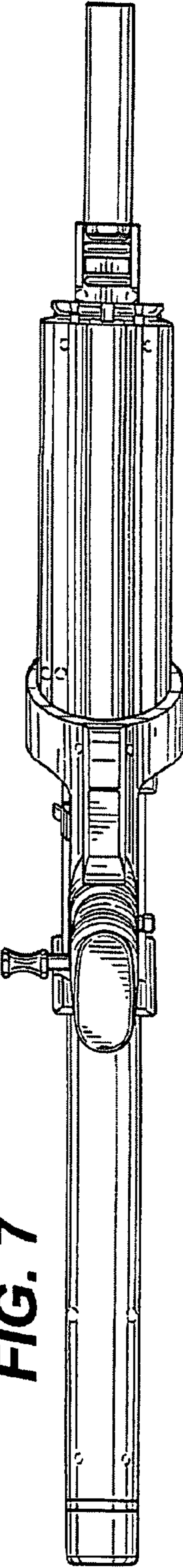


FIG. 7

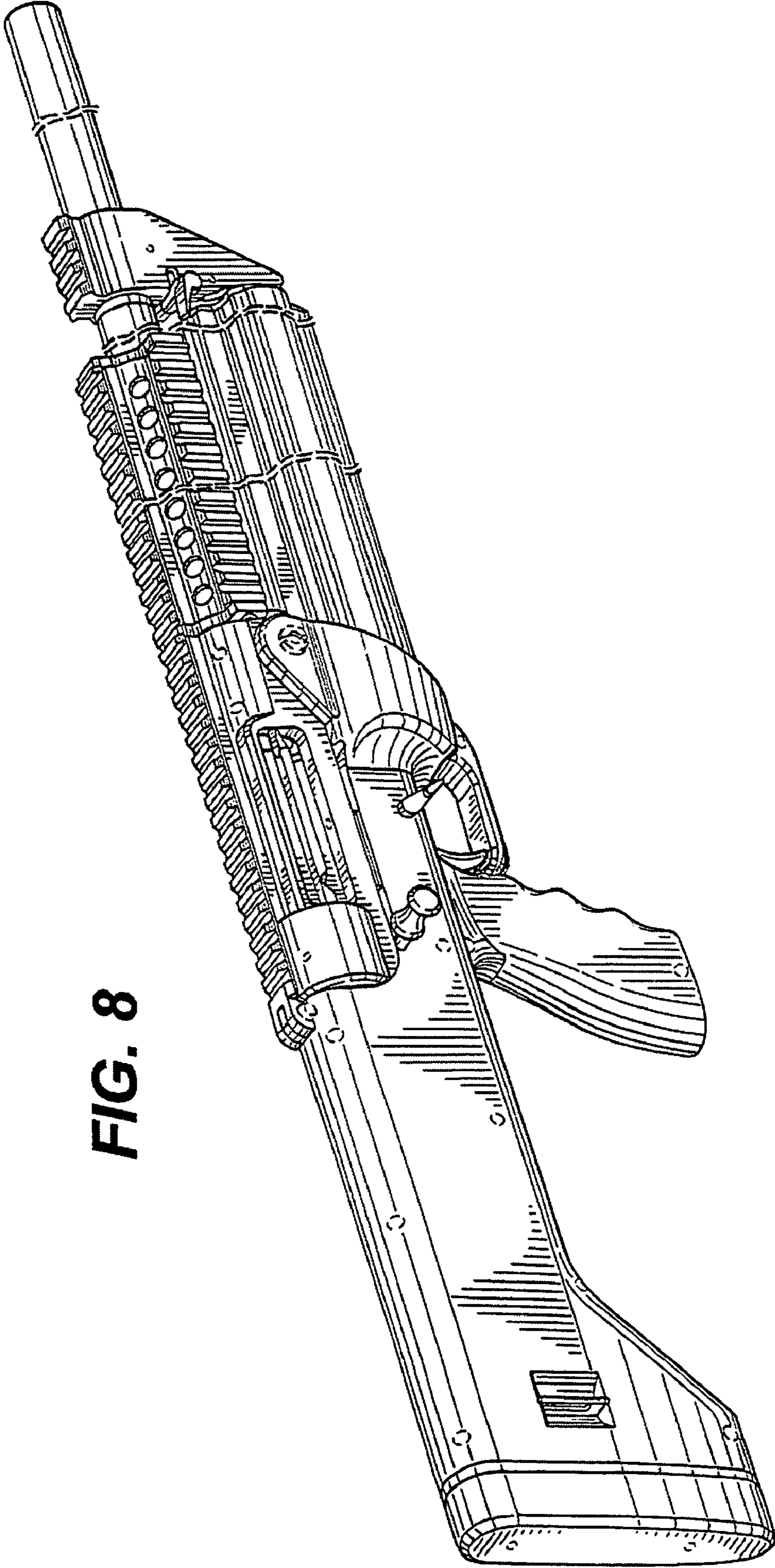


FIG. 8

FIG. 9

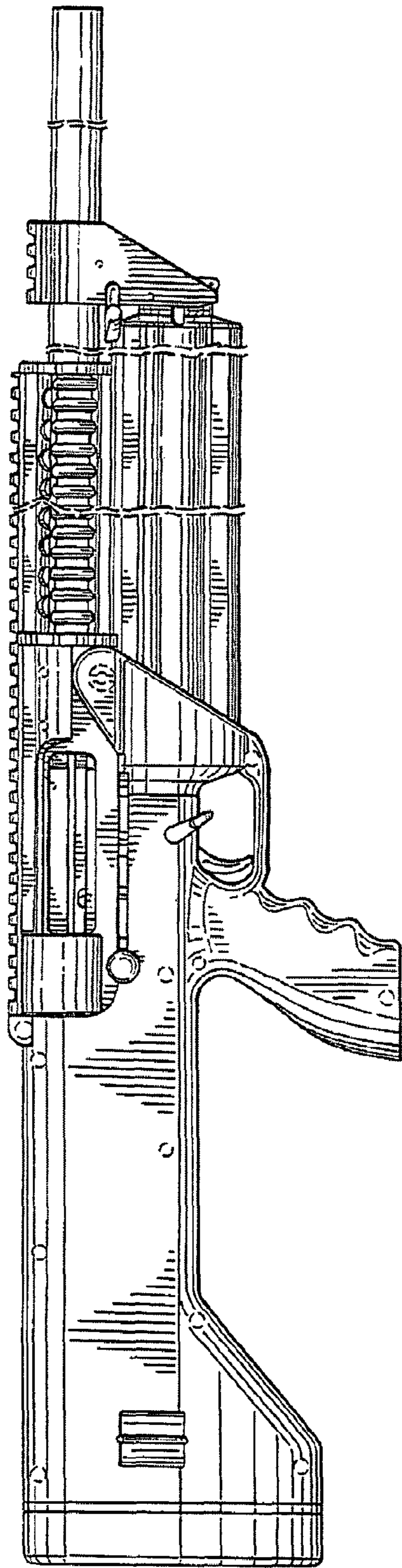
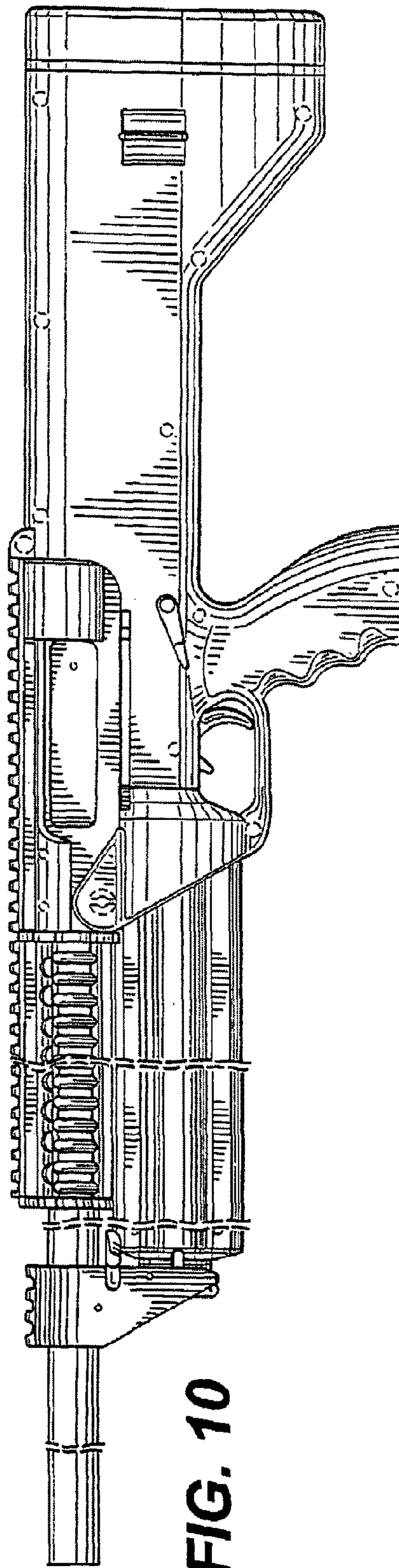


FIG. 10



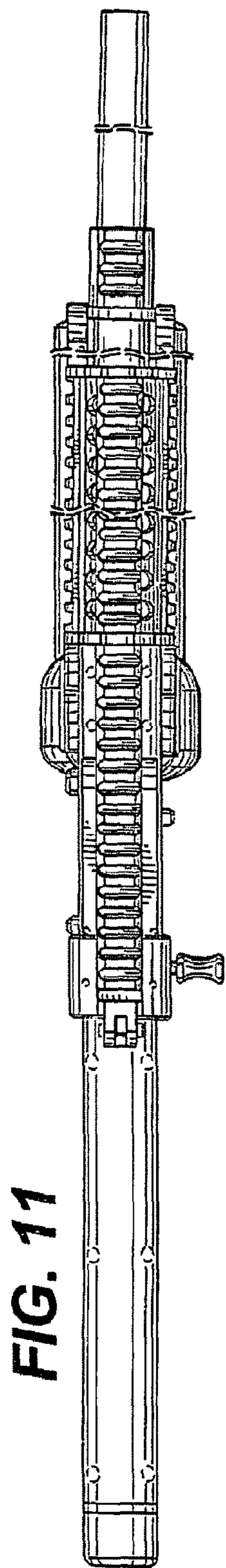


FIG. 11

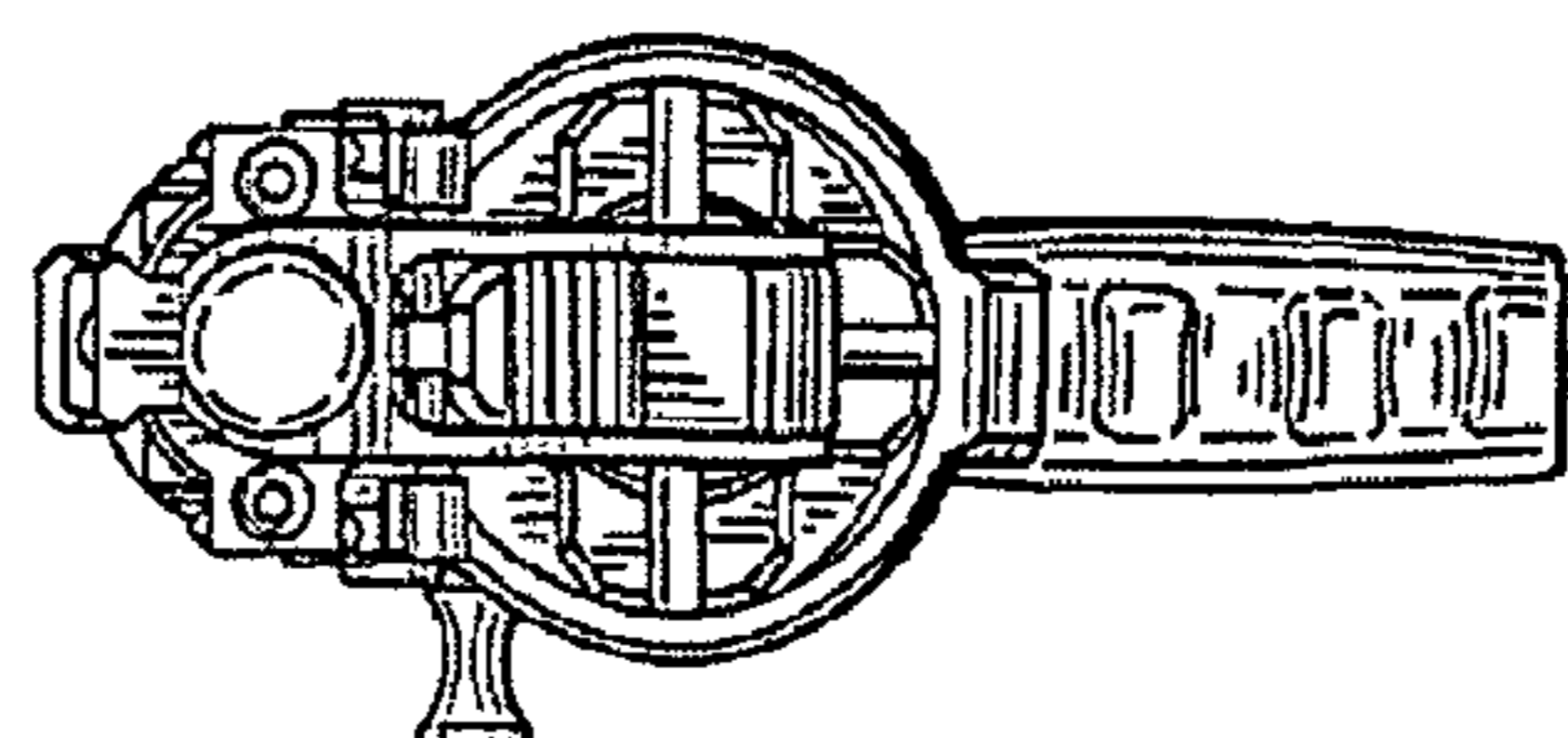


FIG. 13

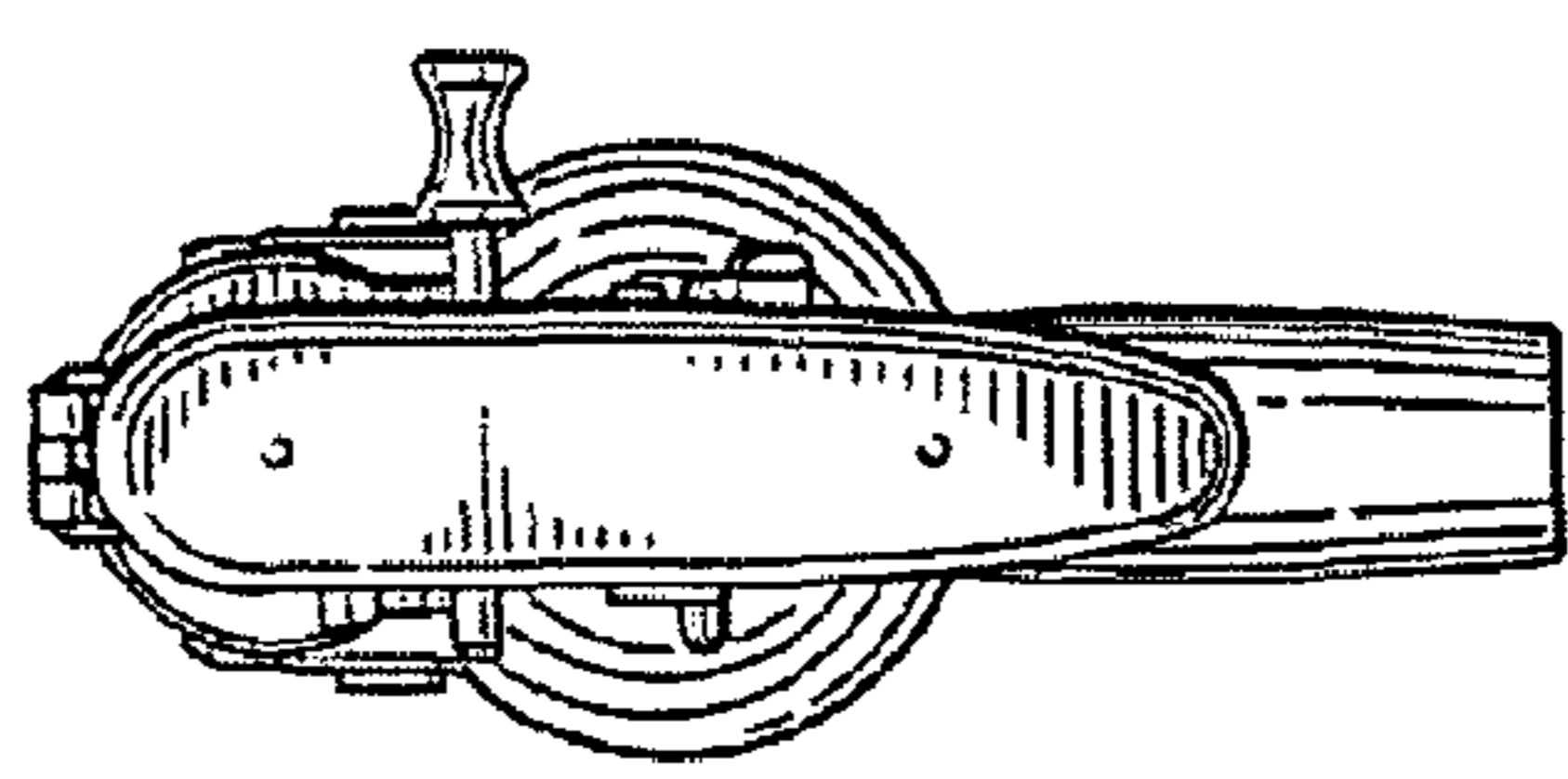


FIG. 12

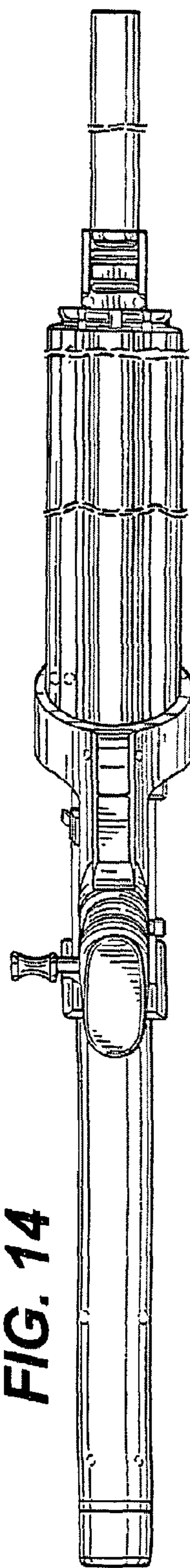


FIG. 14