



US00D611108S

(12) **United States Design Patent**
Bodin

(10) **Patent No.:** **US D611,108 S**
(45) **Date of Patent:** **** Mar. 2, 2010**

(54) **TOY FIGURE**

(75) Inventor: **Cynthia Bodin, Vejle (DK)**

(73) Assignee: **Lego A/S, Billund (DK)**

(**) Term: **14 Years**

(21) Appl. No.: **29/312,918**

(22) Filed: **Nov. 21, 2008**

(30) **Foreign Application Priority Data**

Nov. 10, 2008 (EM) 001036289-0001

(51) **LOC (9) Cl.** **21-01**

(52) **U.S. Cl.** **D21/621**

(58) **Field of Classification Search** D21/578-583,
D21/621, 622; 446/268, 360, 361, 376, 379,
446/382-384

See application file for complete search history.

(56) **References Cited**

U.S. PATENT DOCUMENTS

3,768,197 A * 10/1973 Shimamura 446/98
D239,846 S * 5/1976 Nygaard D21/621
D253,711 S * 12/1979 Christiansen et al. D21/621
D255,813 S * 7/1980 Pape et al. D21/621
D278,735 S * 5/1985 Nielsen D21/631
D317,796 S * 6/1991 Laursen D21/621

D344,111 S * 2/1994 Israel D21/621
D352,078 S * 11/1994 Bertrand D21/621
D366,076 S * 1/1996 Pedersen D21/621
D496,076 S * 9/2004 Klaus et al. D21/621

* cited by examiner

Primary Examiner—Janice E Seeger

Assistant Examiner—Zenia I Bennett

(74) *Attorney, Agent, or Firm*—Day Pitney LLP

(57) **CLAIM**

The ornamental design for a toy figure, as shown and described.

DESCRIPTION

FIG. 1 is a top front perspective view of a toy figure in accordance with the present design;

FIG. 2 is a front elevational view thereof;

FIG. 3 is a rear elevational view thereof;

FIG. 4 is a left side view thereof;

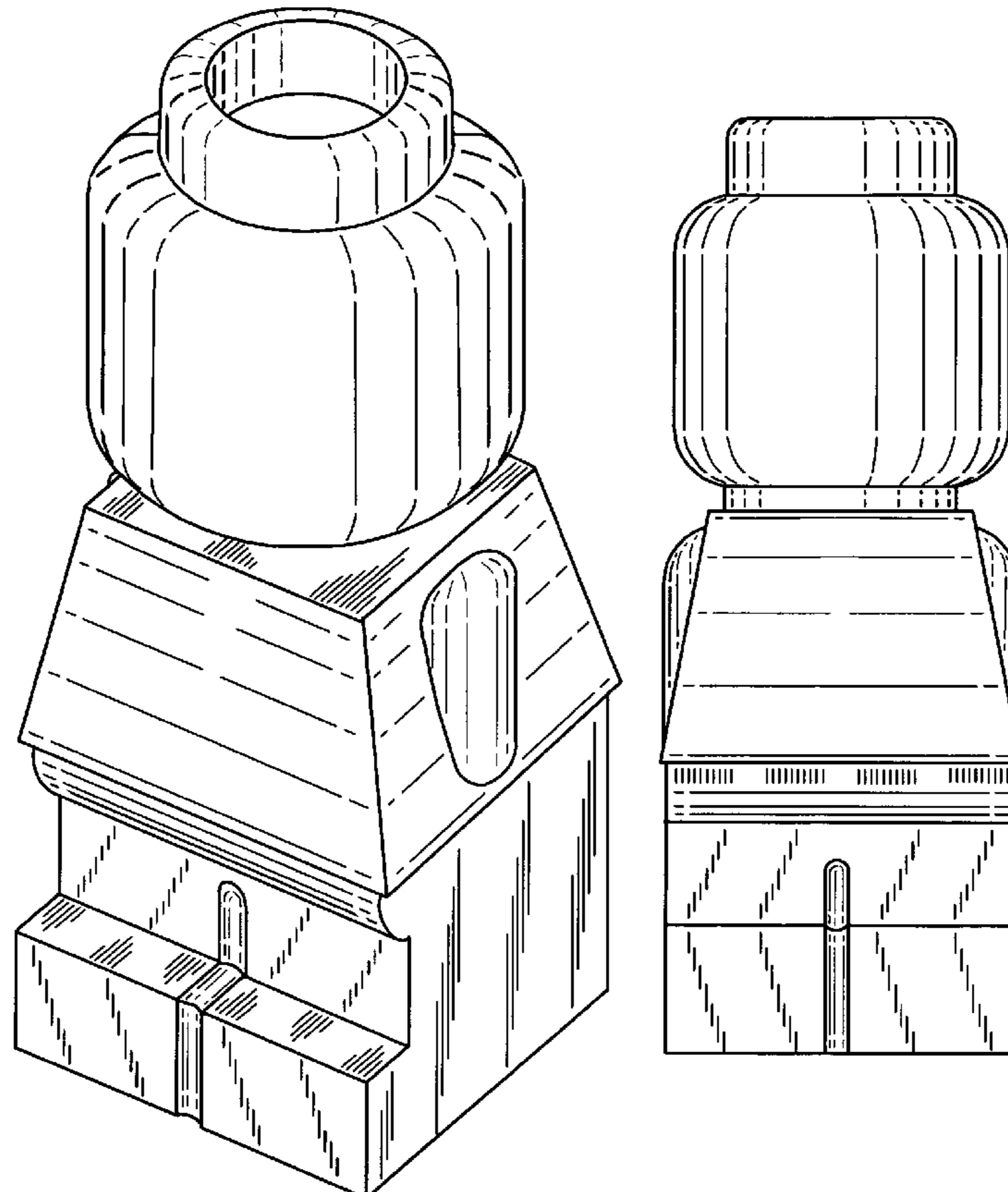
FIG. 5 is a right side view thereof;

FIG. 6 is a top plan view thereof; and,

FIG. 7 is a bottom plan view thereof.

The broken lines are for environmental purposes only and form no part of the claimed design.

1 Claim, 7 Drawing Sheets



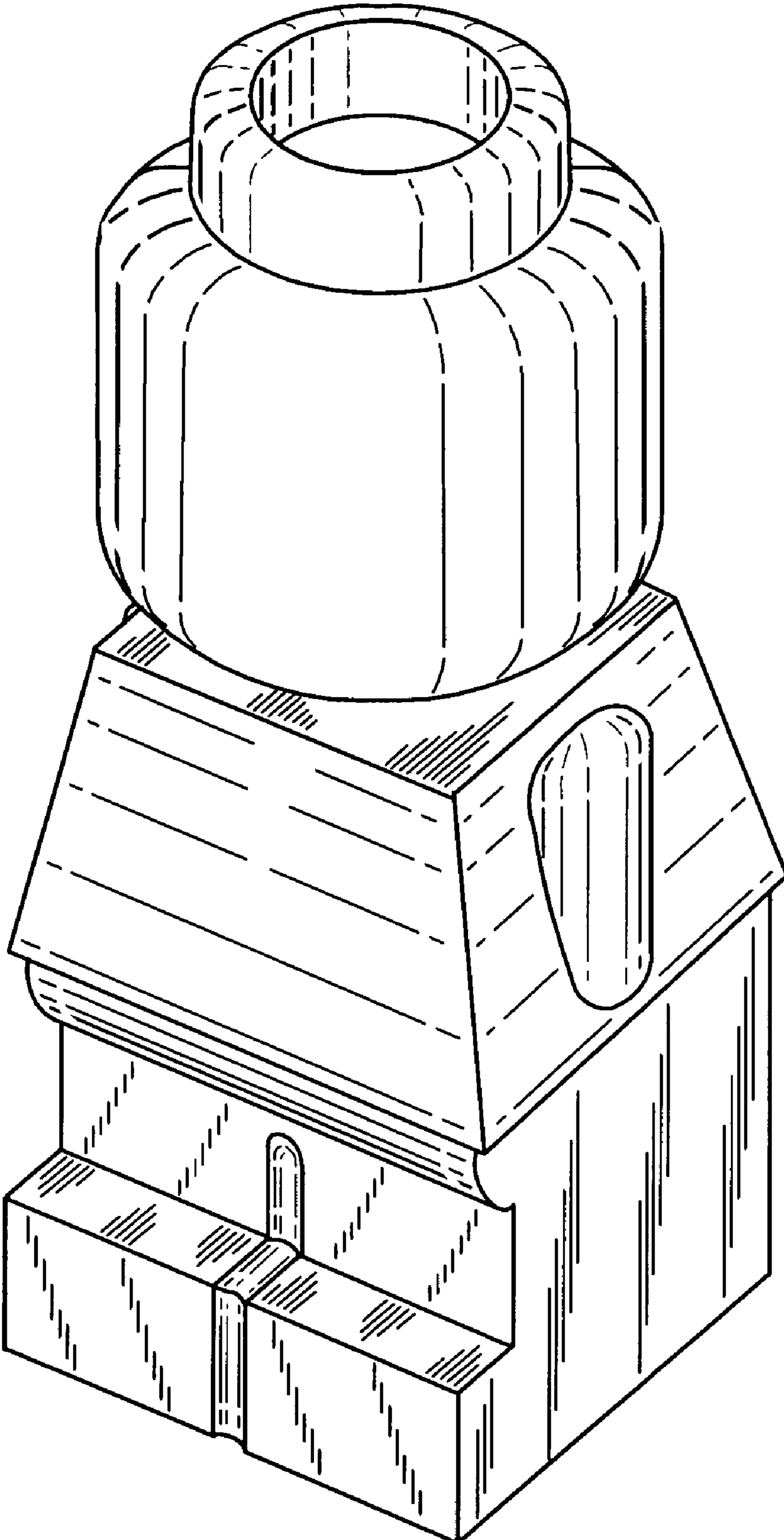


FIG. 1

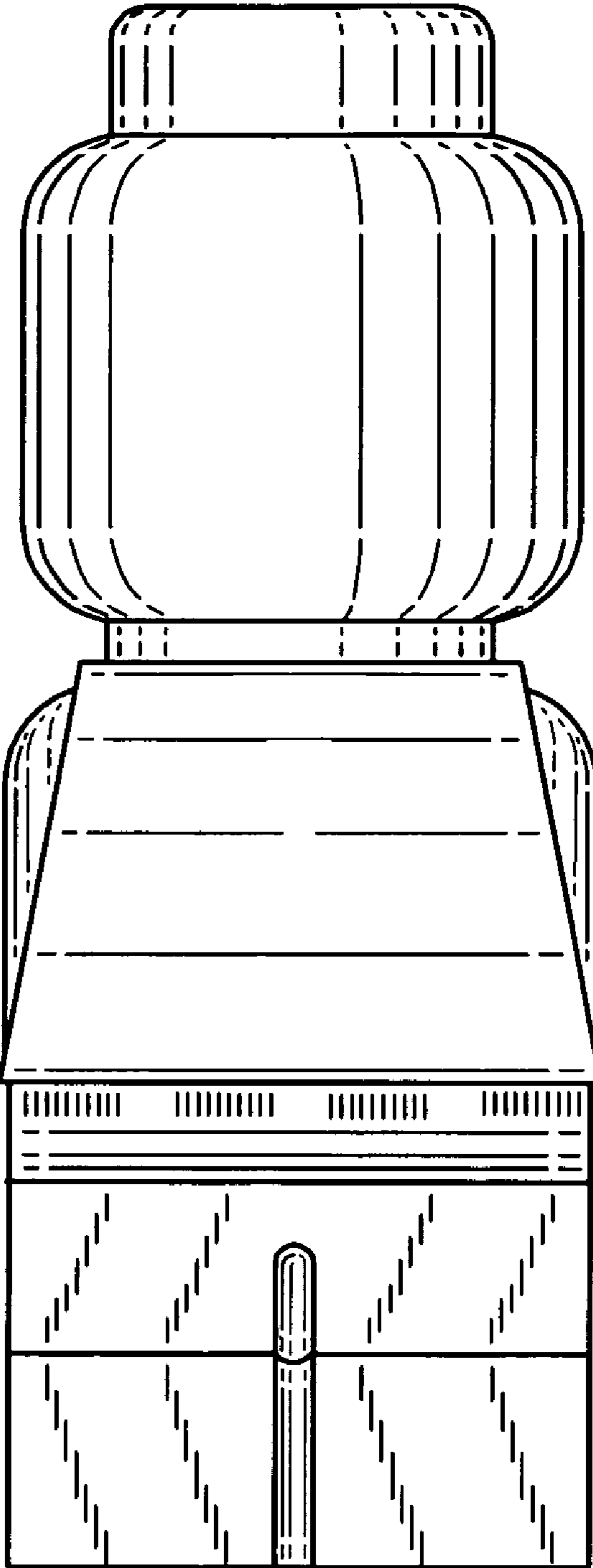


FIG. 2

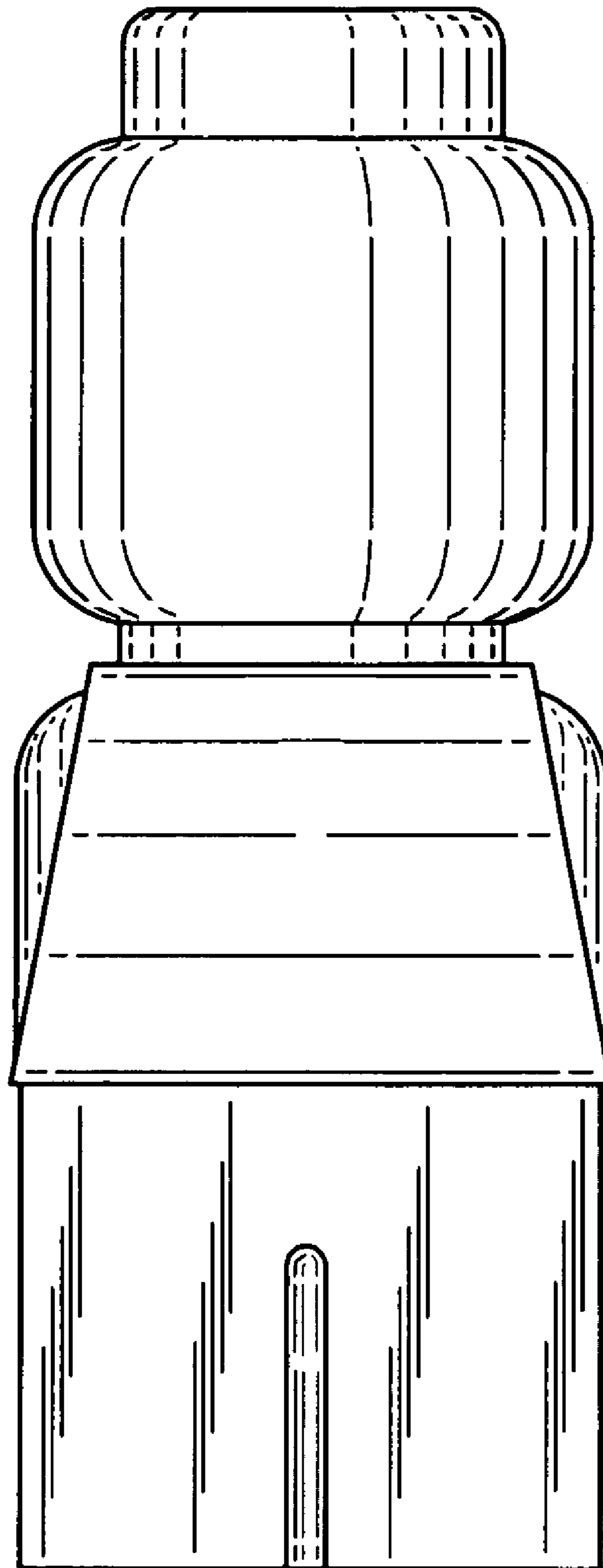


FIG. 3

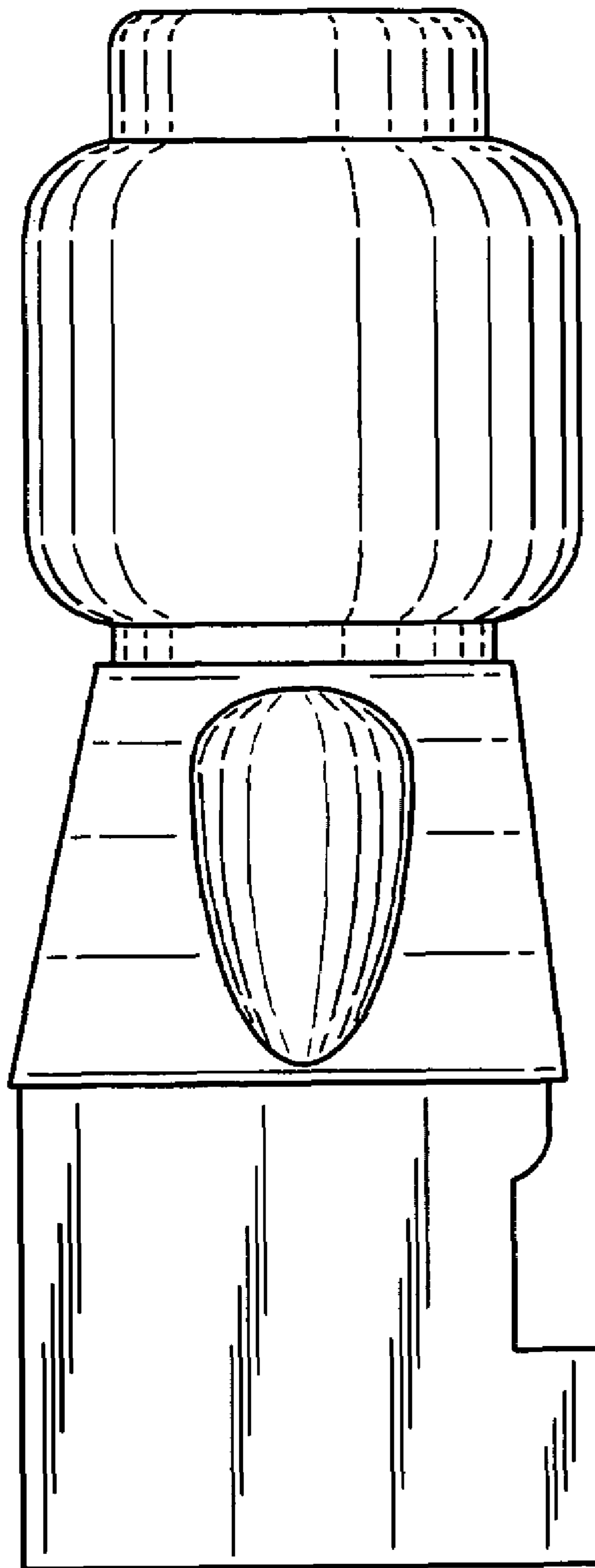


FIG. 4

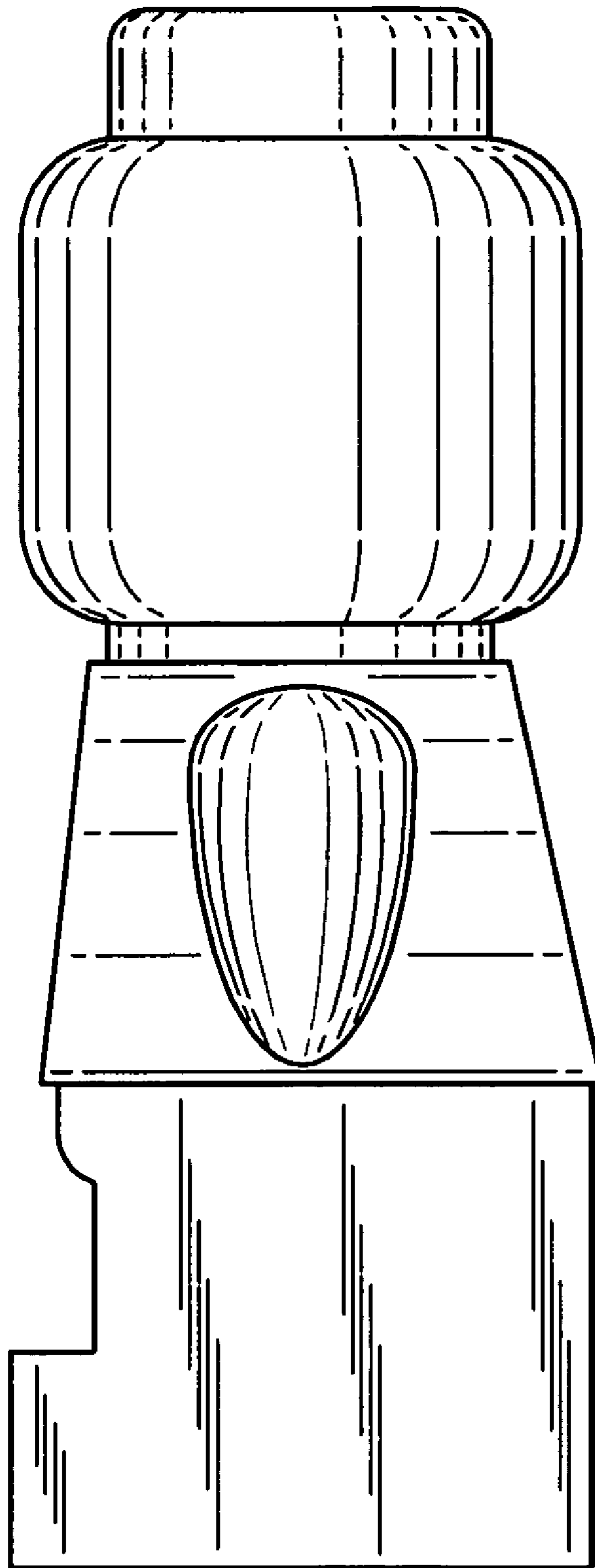


FIG. 5

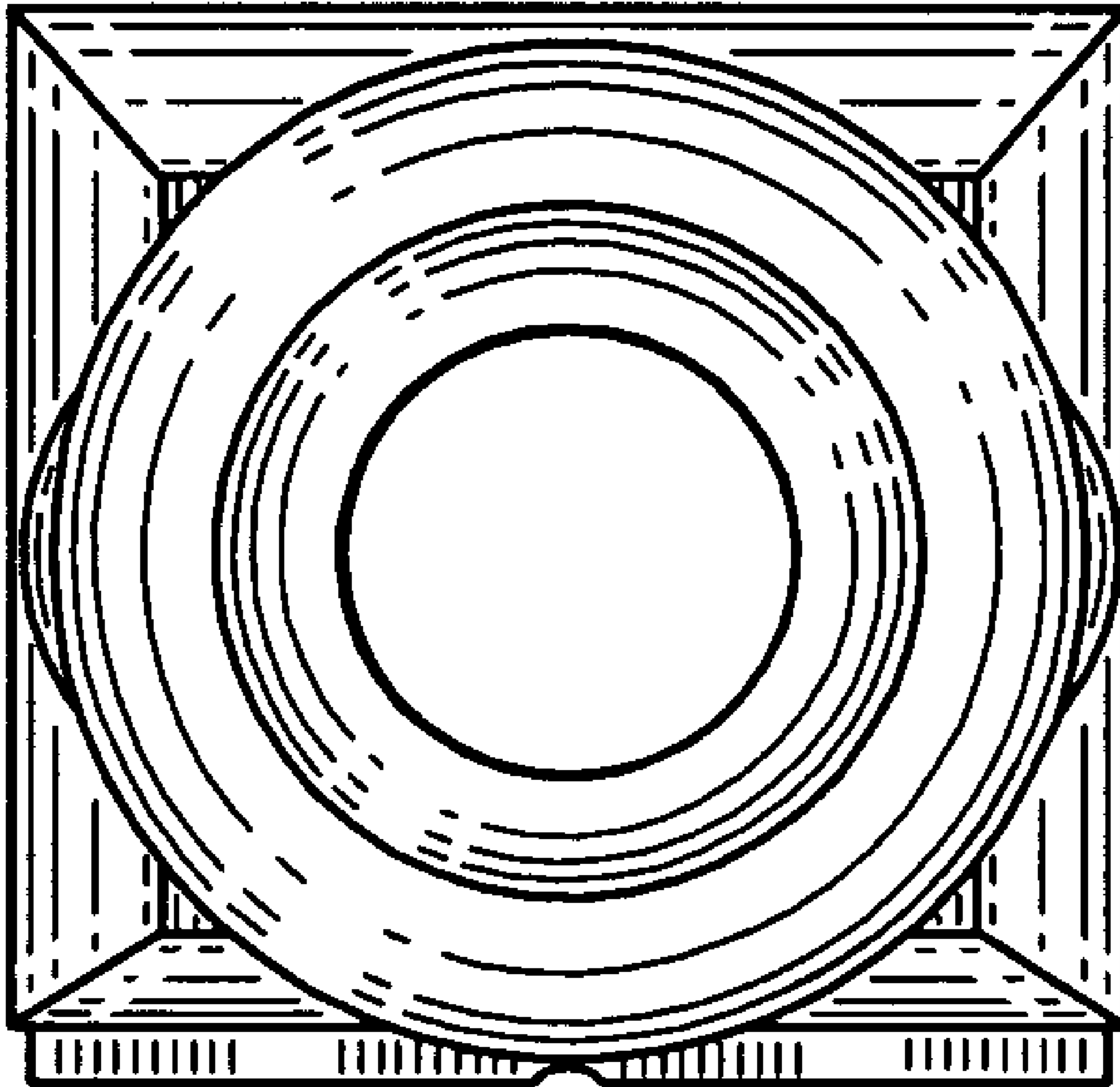


FIG. 6

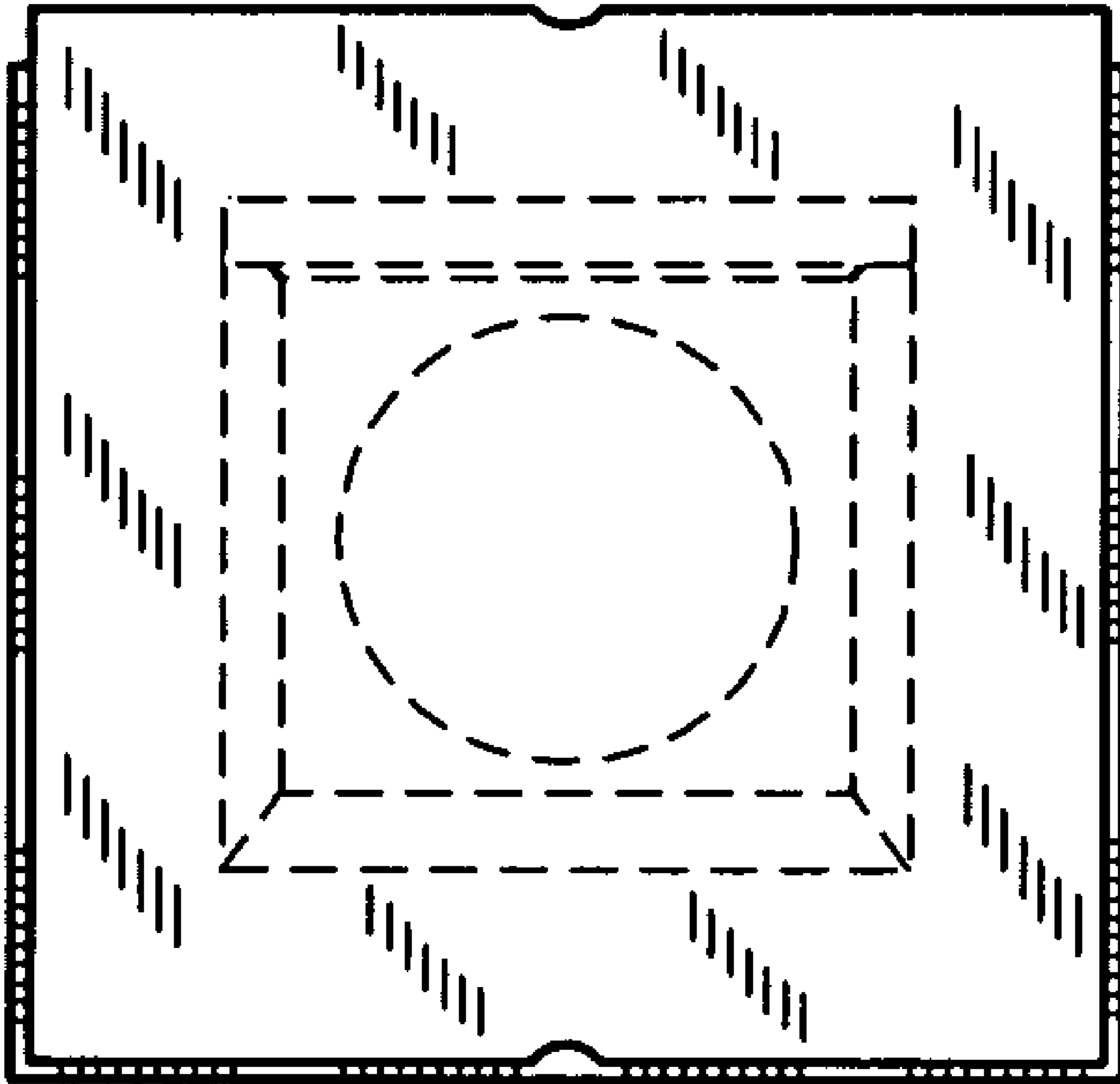


FIG. 7