



US00D611107S

(12) **United States Design Patent**
Schmidt

(10) **Patent No.:** **US D611,107 S**
(45) **Date of Patent:** **** Mar. 2, 2010**

(54) **ELEMENT FOR A BUILDING SET**
(75) Inventor: **Steen Schmidt**, Grindsted (DK)
(73) Assignee: **Lego A/S**, Billund (DK)
(**) Term: **14 Years**
(21) Appl. No.: **29/315,120**
(22) Filed: **May 27, 2009**

D528,608 S * 9/2006 Kossmann D21/486
D550,307 S * 9/2007 Glickman D21/484
D553,199 S * 10/2007 Glickman et al. D21/484
D561,846 S * 2/2008 Glickman et al. D21/500

* cited by examiner

Primary Examiner—Philip S Hyder
Assistant Examiner—Cynthia M Chin
(74) *Attorney, Agent, or Firm*—Day Pitney LLP

(30) **Foreign Application Priority Data**
Nov. 28, 2008 (EM) 001050645

(51) **LOC (9) Cl.** **21-01**
(52) **U.S. Cl.** **D21/484; D21/502; D21/503**
(58) **Field of Classification Search** D21/484–505;
D25/113–118; 273/153, 156; 446/69, 85,
446/102–128; 434/259
See application file for complete search history.

(57) **CLAIM**

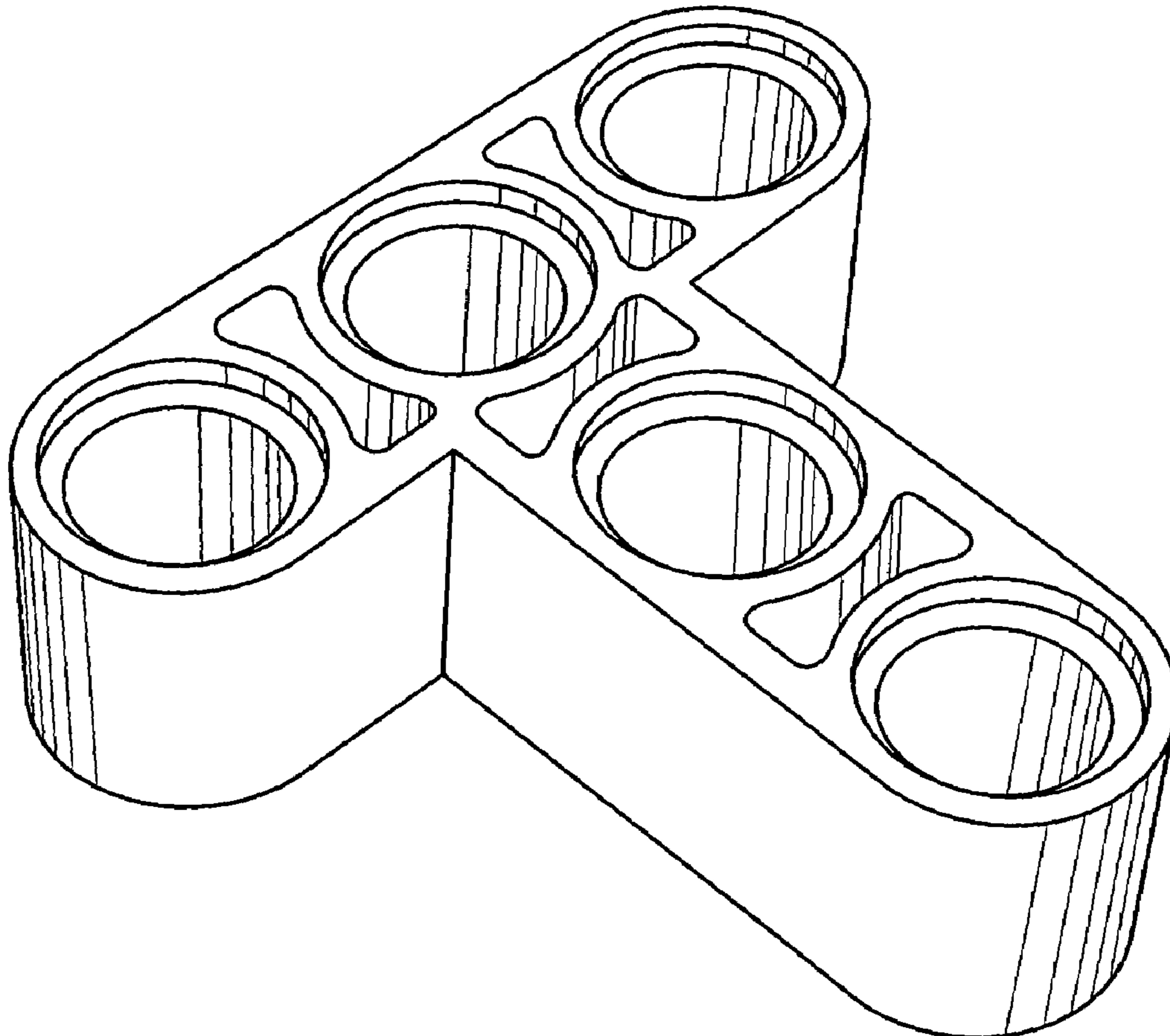
The ornamental design for an element for a building set, as shown and described.

DESCRIPTION

FIG. 1 is a perspective view of my design for an element for a building set in accordance with the present design;
FIG. 2 is a front view thereof;
FIG. 3 is a top view thereof;
FIG. 4 is a bottom view thereof;
FIG. 5 is a rear view thereof;
FIG. 6 is a right side view thereof; and,
FIG. 7 is a left side view thereof.

(56) **References Cited**
U.S. PATENT DOCUMENTS
D367,086 S * 2/1996 Chesler et al. D21/484
D406,611 S * 3/1999 Holm D21/503
D410,704 S * 6/1999 Krog D21/486

1 Claim, 7 Drawing Sheets



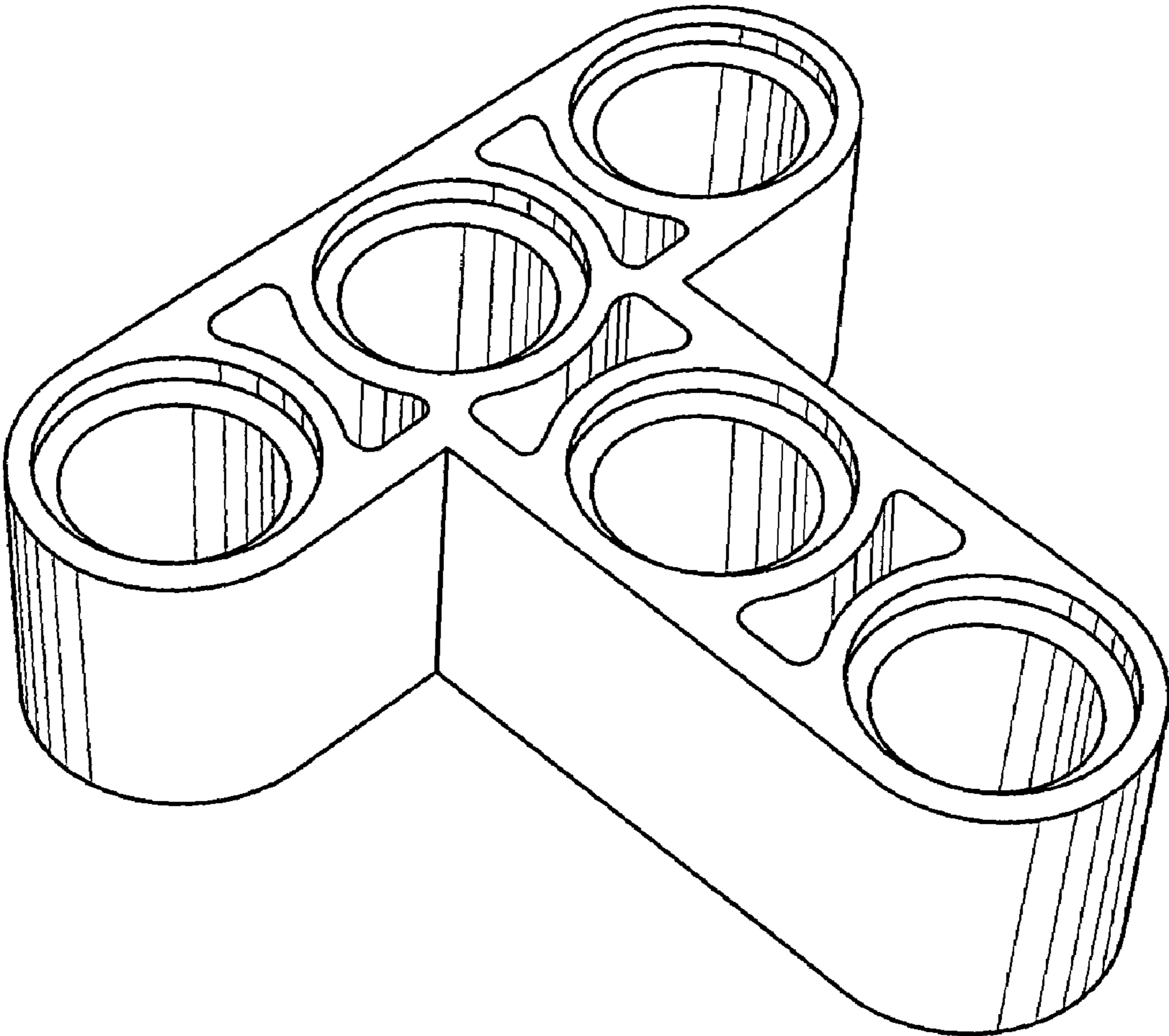


FIG. 1

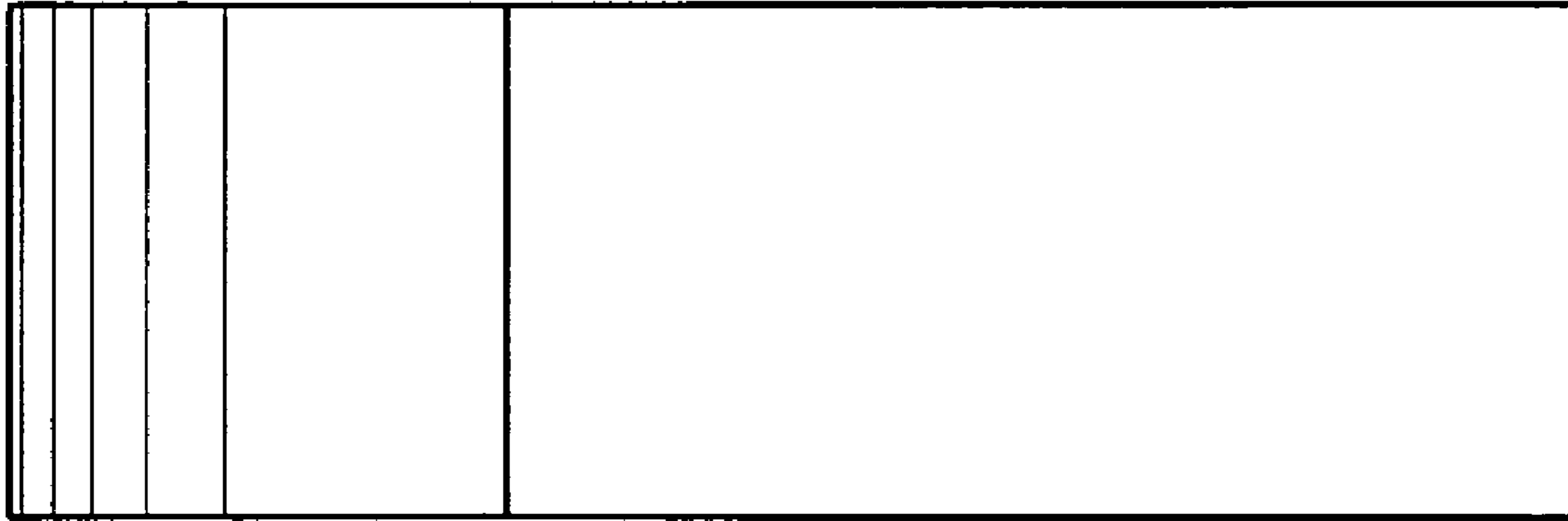


FIG. 2

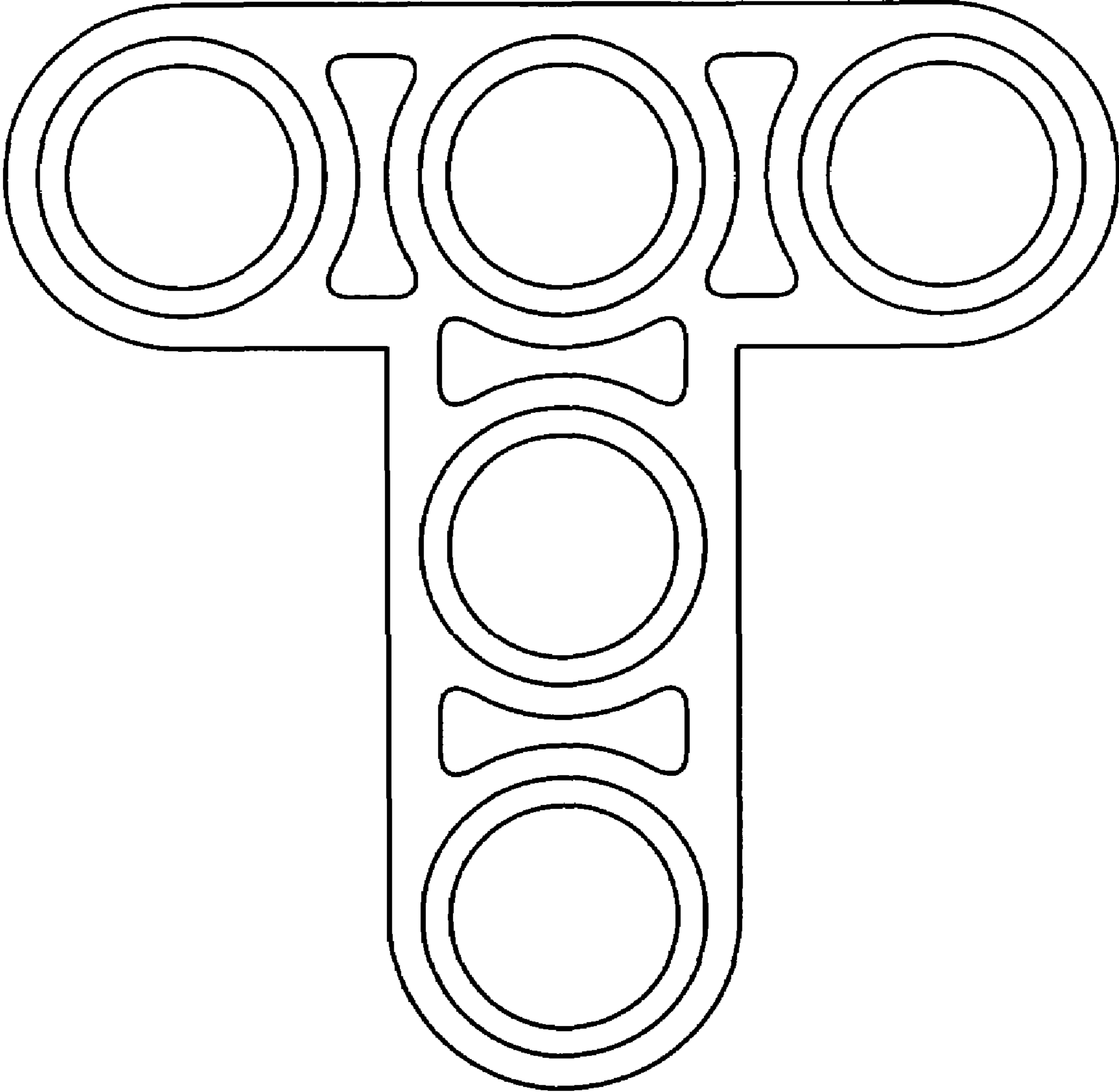


FIG. 3

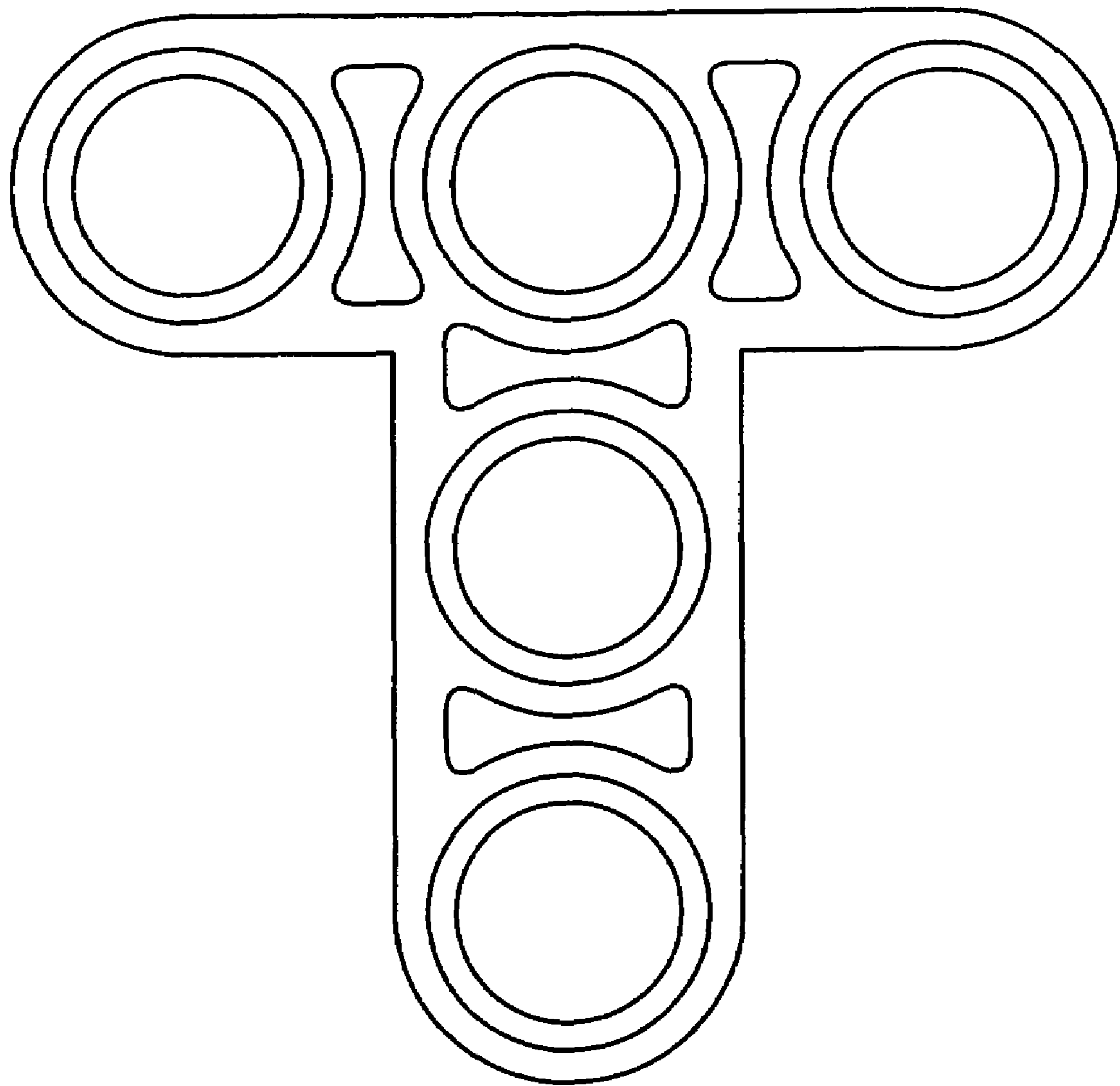


FIG. 4

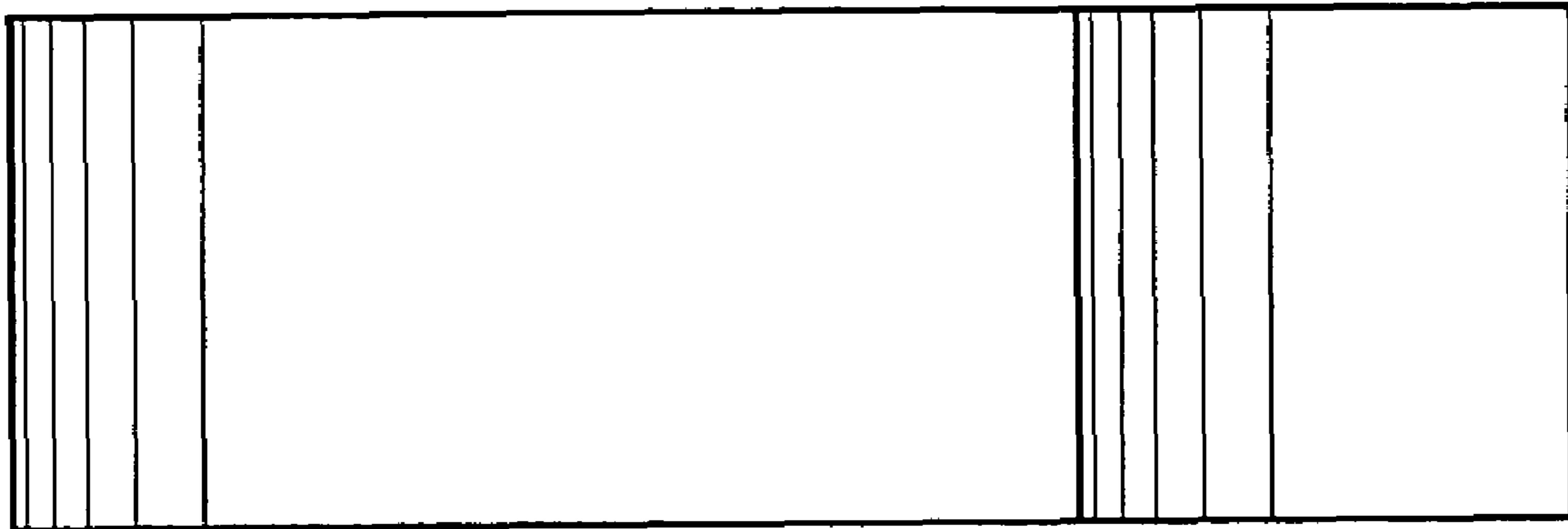


FIG. 5

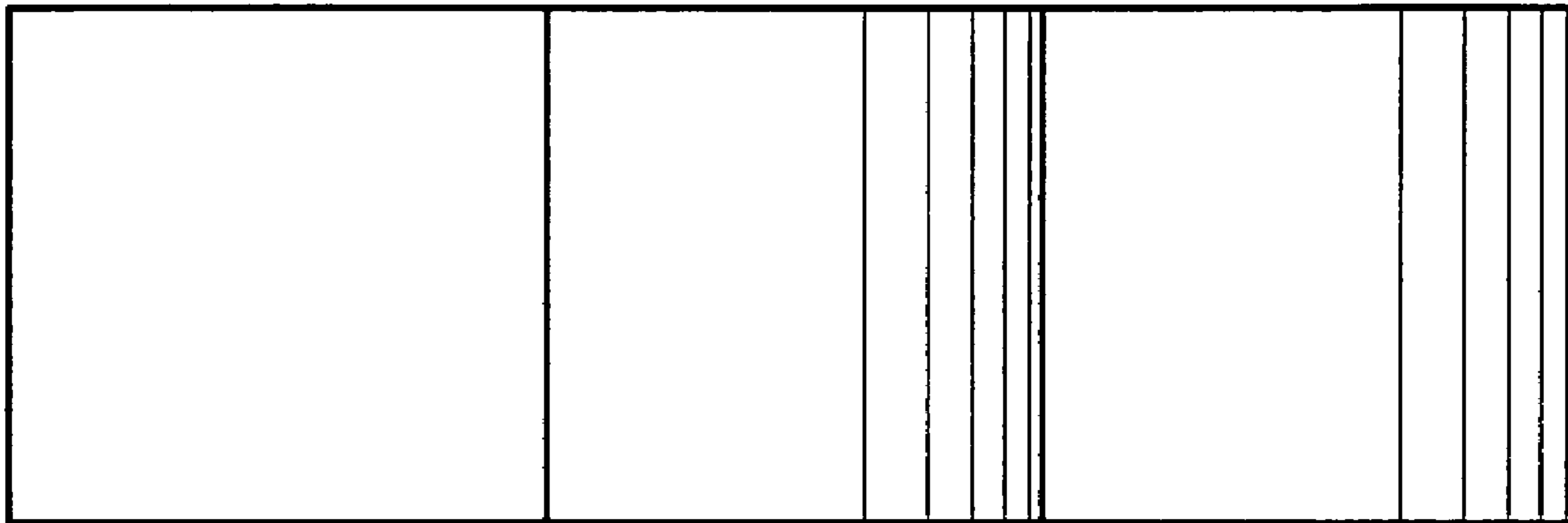


FIG. 6

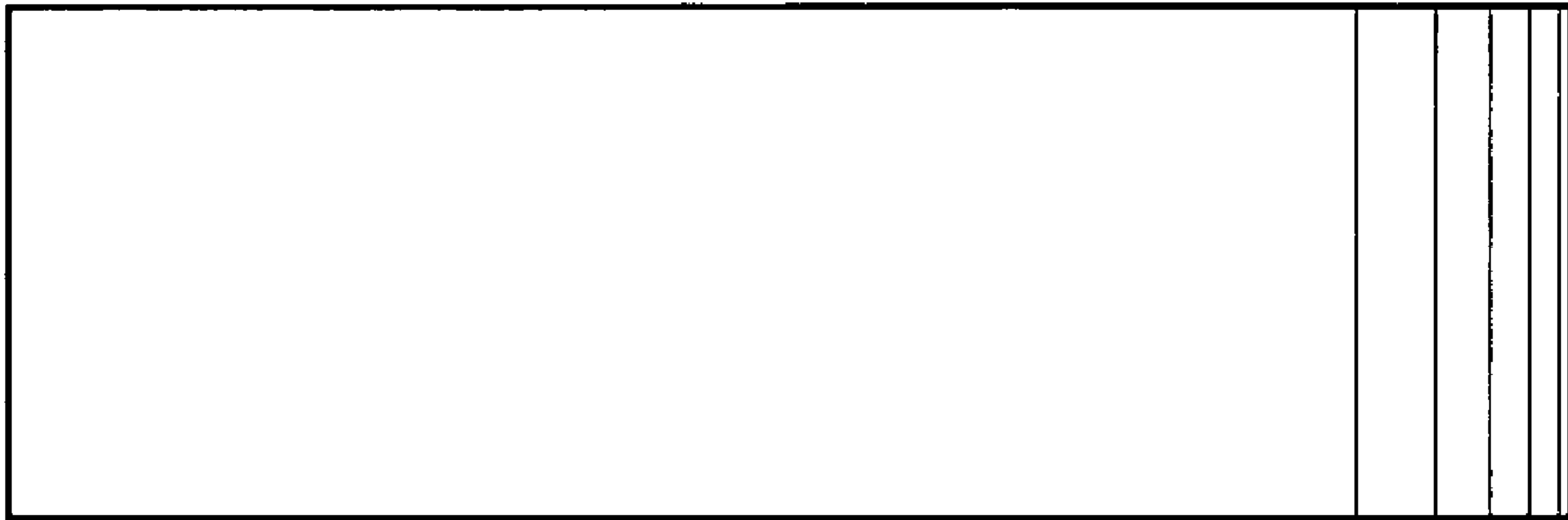


FIG. 7