



US00D611106S

(12) **United States Design Patent**
van Beek

(10) **Patent No.:** **US D611,106 S**
(45) **Date of Patent:** **** Mar. 2, 2010**

(54) **GO CART**

(75) Inventor: **Maas van Beek**, Stationsweg 119, 3771
VE Barneveld (NL)

(73) Assignee: **Maas van Beek** (NL)

(**) Term: **14 Years**

(21) Appl. No.: **29/328,947**

(22) Filed: **Dec. 4, 2008**

(30) **Foreign Application Priority Data**

Jun. 10, 2008 (EM) 000949094

(51) **LOC (9) Cl.** **21-01**

(52) **U.S. Cl.** **D21/424**

(58) **Field of Classification Search** D21/419,
D21/424-427, 433, 434, 533, 536, 548-551,
D21/562; D12/87-88, 108; 446/160, 447,
446/428, 456, 465, 470; 280/124.11, 124.135,
280/827, 828, 87.01, 87.021, 87.03, 93.507,
280/775, 259, 282; 180/11, 54.1, 56, 65.1,
180/89.1, 227, 311, 350, 357

See application file for complete search history.

(56) **References Cited**

U.S. PATENT DOCUMENTS

3,177,962 A * 4/1965 Bailey 180/11
3,799,283 A * 3/1974 Freber 180/56
4,205,860 A * 6/1980 Tsuchiya et al. 280/93.507
4,335,899 A * 6/1982 Hiscock 280/259
D280,916 S * 10/1985 Castle D21/426
4,629,023 A * 12/1986 Carpanelli et al. 180/357

4,896,899 A * 1/1990 Lawrence 280/775
5,265,690 A * 11/1993 Amundsen et al. 180/89.1
D368,743 S * 4/1996 Amburgey et al. D12/108
D410,258 S * 5/1999 Lerch D21/433
5,921,341 A * 7/1999 Atkins 180/350
5,961,135 A * 10/1999 Smock 280/124.11
D432,186 S * 10/2000 Kuo D21/433
D437,364 S * 2/2001 Jang D21/433
D469,819 S * 2/2003 Nicolle et al. D21/426
D471,936 S * 3/2003 Tilbor et al. D21/433
D488,194 S * 4/2004 Fox et al. D21/424
6,749,039 B1 * 6/2004 Uphaus 180/357
D503,952 S * 4/2005 Tung D21/433
D512,467 S * 12/2005 Hadley et al. D21/424
7,380,805 B1 * 6/2008 Turner 280/124.135
D582,992 S * 12/2008 Alais D21/426

* cited by examiner

Primary Examiner—Philip S Hyder

Assistant Examiner—Cynthia M Chin

(74) *Attorney, Agent, or Firm*—Altera Law Group, LLC

(57) **CLAIM**

The ornamental design for a go cart, as shown and described.

DESCRIPTION

FIG. 1 is a front perspective view of the go cart.

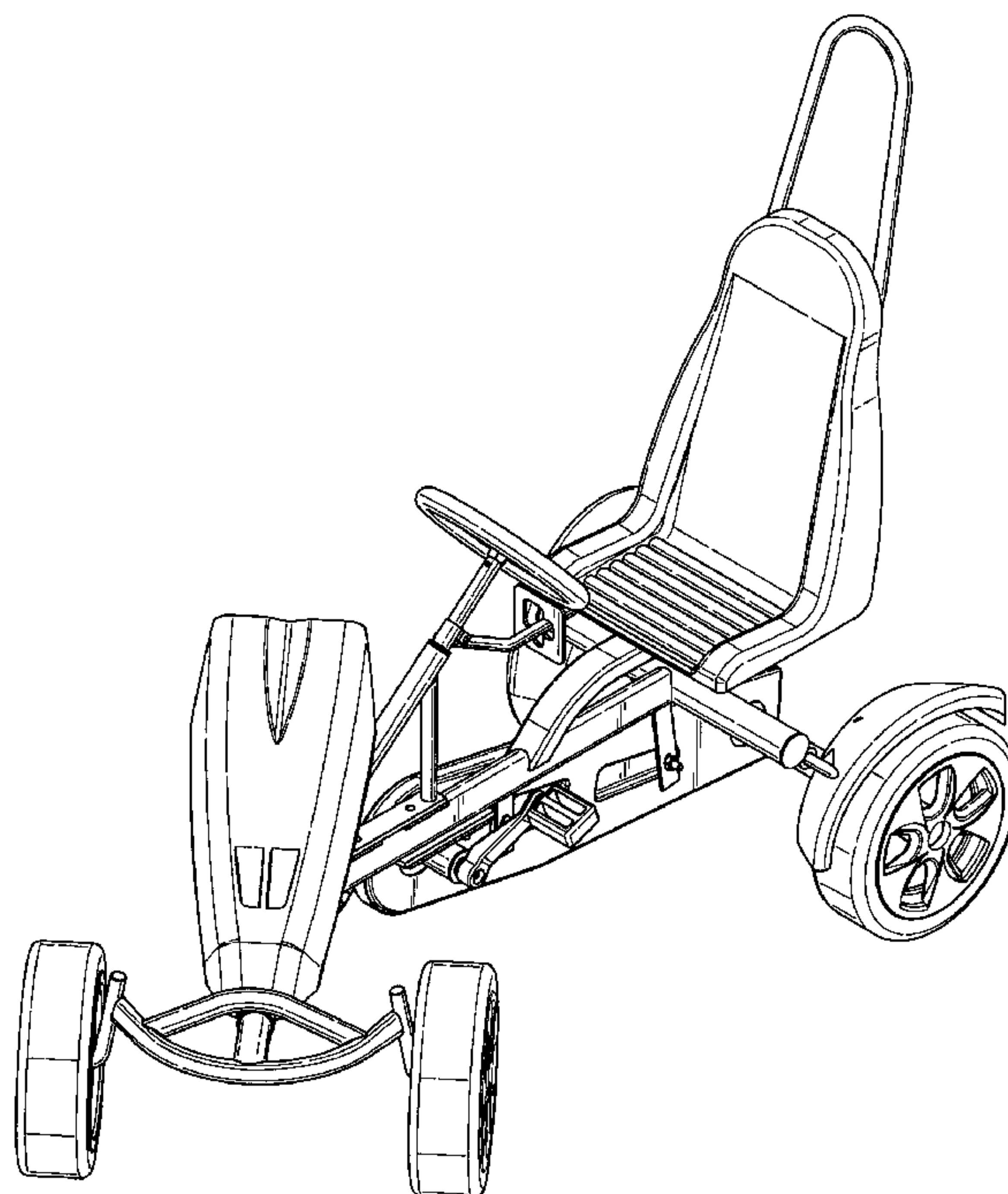
FIG. 2 is a side perspective thereof.

FIG. 3 is a front perspective view from above thereof; and,

FIG. 4 is a top plan view thereof.

The broken lines immediately adjacent the shaded areas represent the bounds of the claim which form no part of the claimed design.

1 Claim, 4 Drawing Sheets



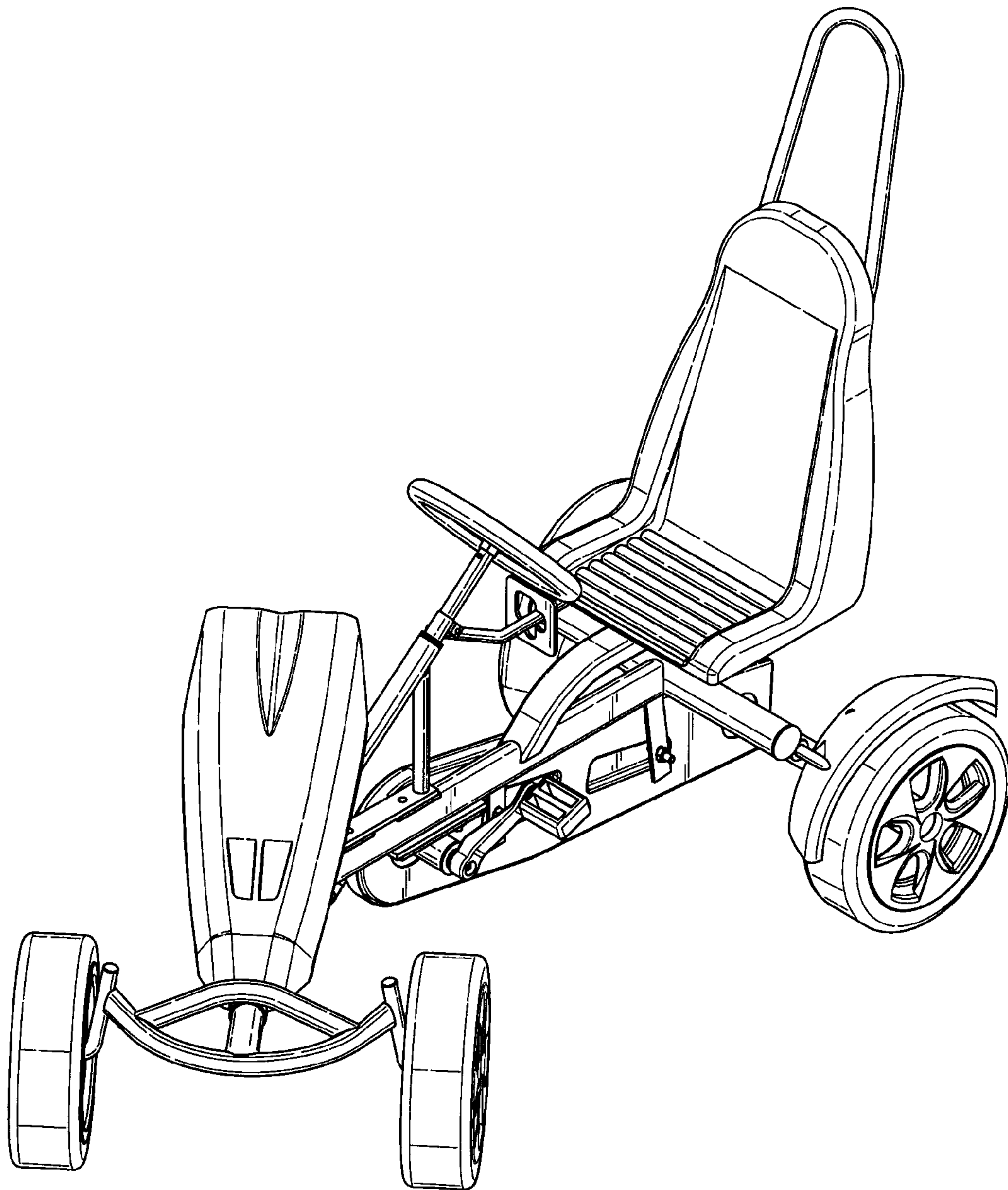


Fig. 1.

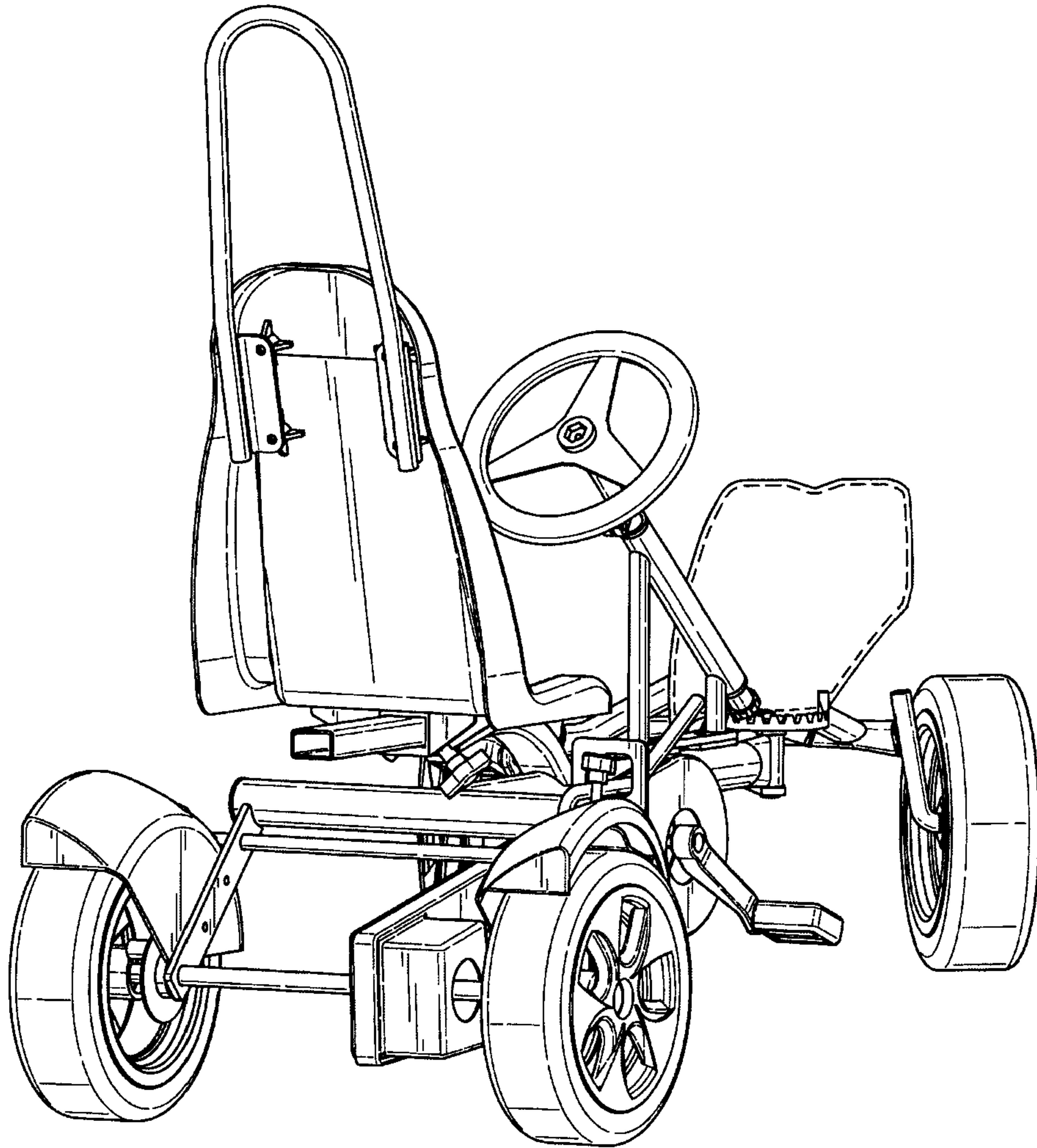


Fig.2.

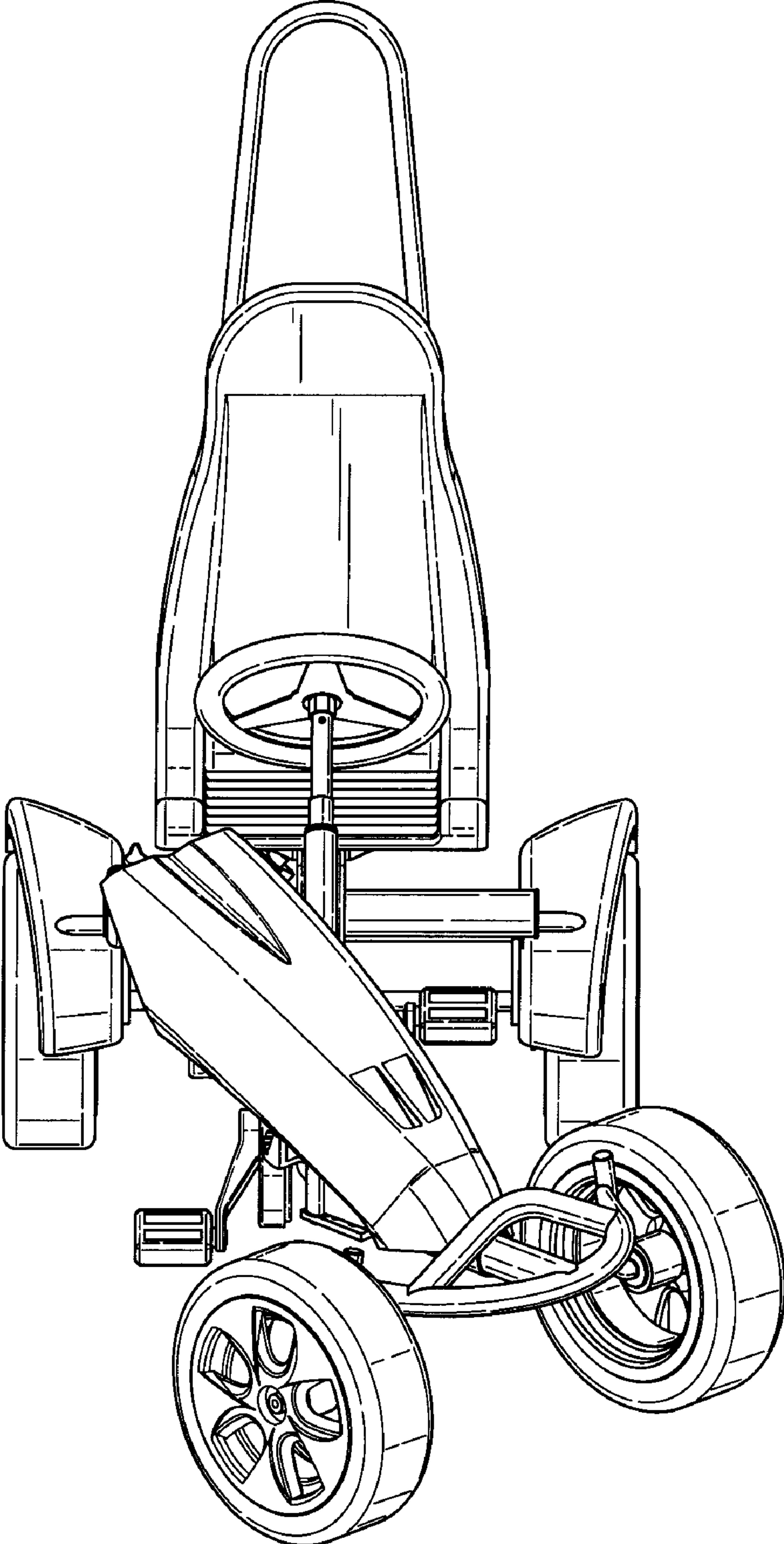


Fig.3.

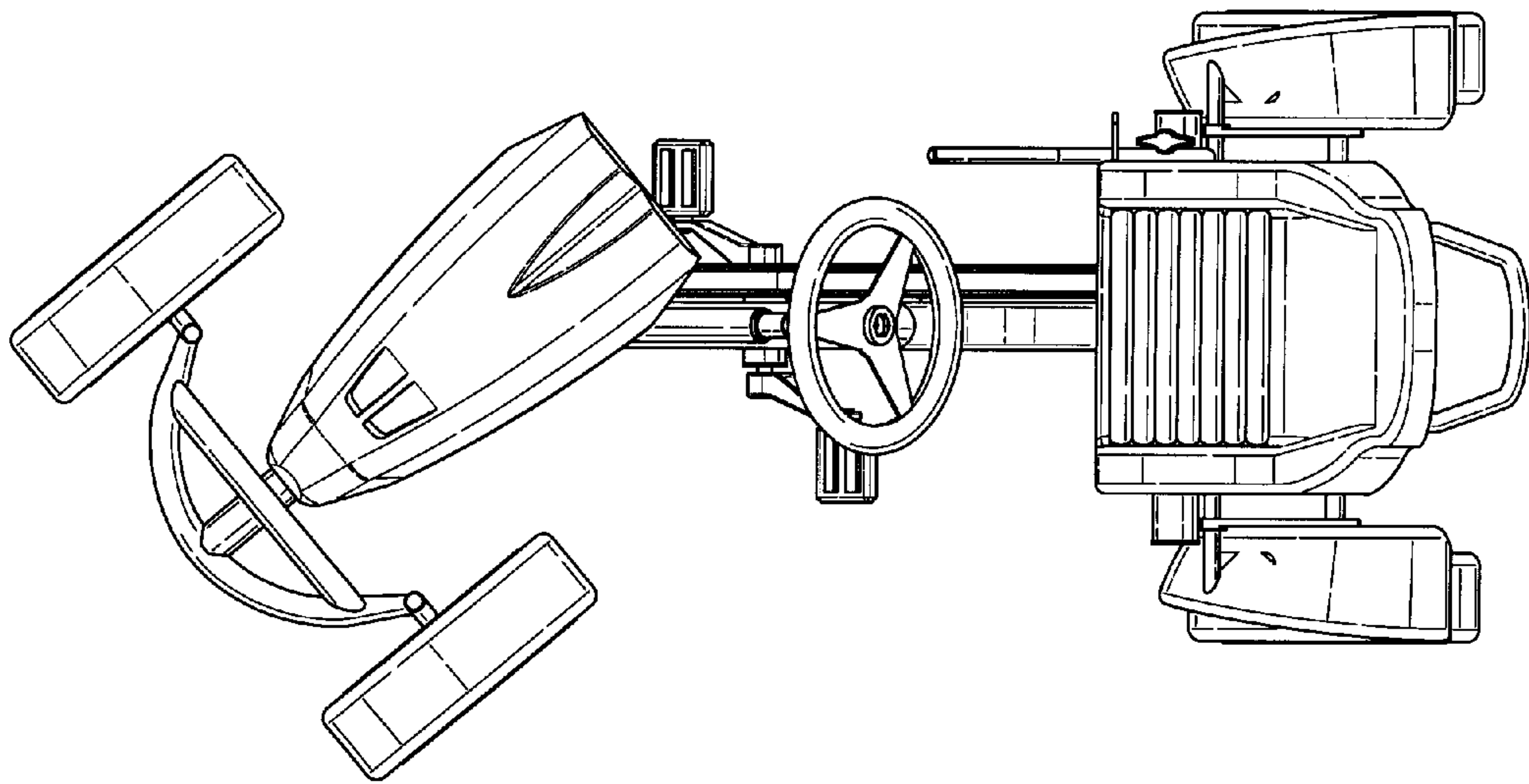


Fig.4.