



US00D611101S

(12) **United States Design Patent**  
**Narita et al.**

(10) **Patent No.:** **US D611,101 S**  
(45) **Date of Patent:** **\*\* \*Mar. 2, 2010**

(54) **CARTRIDGE REFILL FOR A CORRECTION TAPE/GLUE TAPE**

(75) Inventors: **Yasuo Narita**, Tokyo (JP); **Hiroyuki Ariga**, Tokyo (JP)

(73) Assignee: **PLUS Stationery Corporation**, Tokyo (JP)

(\*\*) Term: **14 Years**

(21) Appl. No.: **29/278,821**

(22) Filed: **Apr. 11, 2007**

(30) **Foreign Application Priority Data**

Oct. 30, 2006 (JP) ..... 2006-029567

(51) **LOC (9) Cl.** ..... **19-02**

(52) **U.S. Cl.** ..... **D19/69**

(58) **Field of Classification Search** ..... D19/66,  
D19/67, 68, 69, 70; 156/523, 257, 540, 577;  
206/411; 225/6, 25, 39, 77; 242/588, 588.1,  
242/588.2, 588.3, 588.6, 5

See application file for complete search history.

(56) **References Cited**

**U.S. PATENT DOCUMENTS**

- D418,165 S \* 12/1999 Katami ..... D19/69
- D466,554 S \* 12/2002 Yonezawa et al. .... D19/67
- D476,687 S \* 7/2003 Katami ..... D19/69
- 6,599,363 B2 \* 7/2003 Narita ..... 118/76
- D483,409 S \* 12/2003 Watanabe et al. .... D19/69

- D492,730 S \* 7/2004 Suzuki ..... D19/69
- D494,221 S \* 8/2004 Suzuki ..... D19/69
- D523,085 S \* 6/2006 Mitsui et al. .... D19/69
- D542,847 S \* 5/2007 Ono ..... D19/69
- D559,912 S \* 1/2008 Kai et al. .... D19/69
- D564,029 S \* 3/2008 Ono ..... D19/69

\* cited by examiner

*Primary Examiner*—Cathron C Brooks

*Assistant Examiner*—Austin Murphy

(74) *Attorney, Agent, or Firm*—Edwards Angell Palmer & Dodge LLP

(57) **CLAIM**

We claim the ornamental design for a cartridge refill for a correction tape/glue tape, as shown and described.

**DESCRIPTION**

FIG. 1 is a front view of the cartridge refill for a correction tape/glue tape;

FIG. 2 is a back view thereof;

FIG. 3 is a left side view thereof;

FIG. 4 is a right side view thereof;

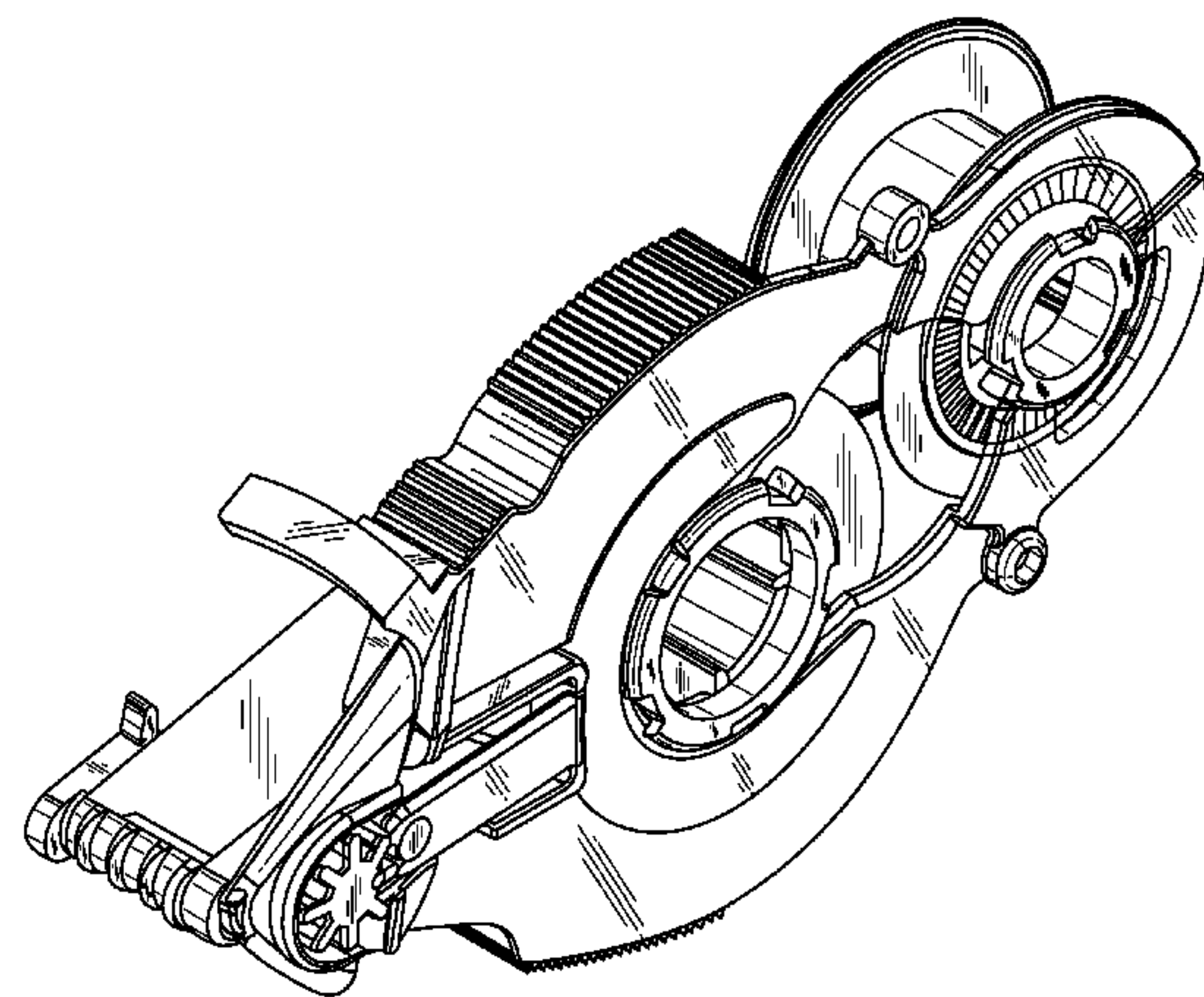
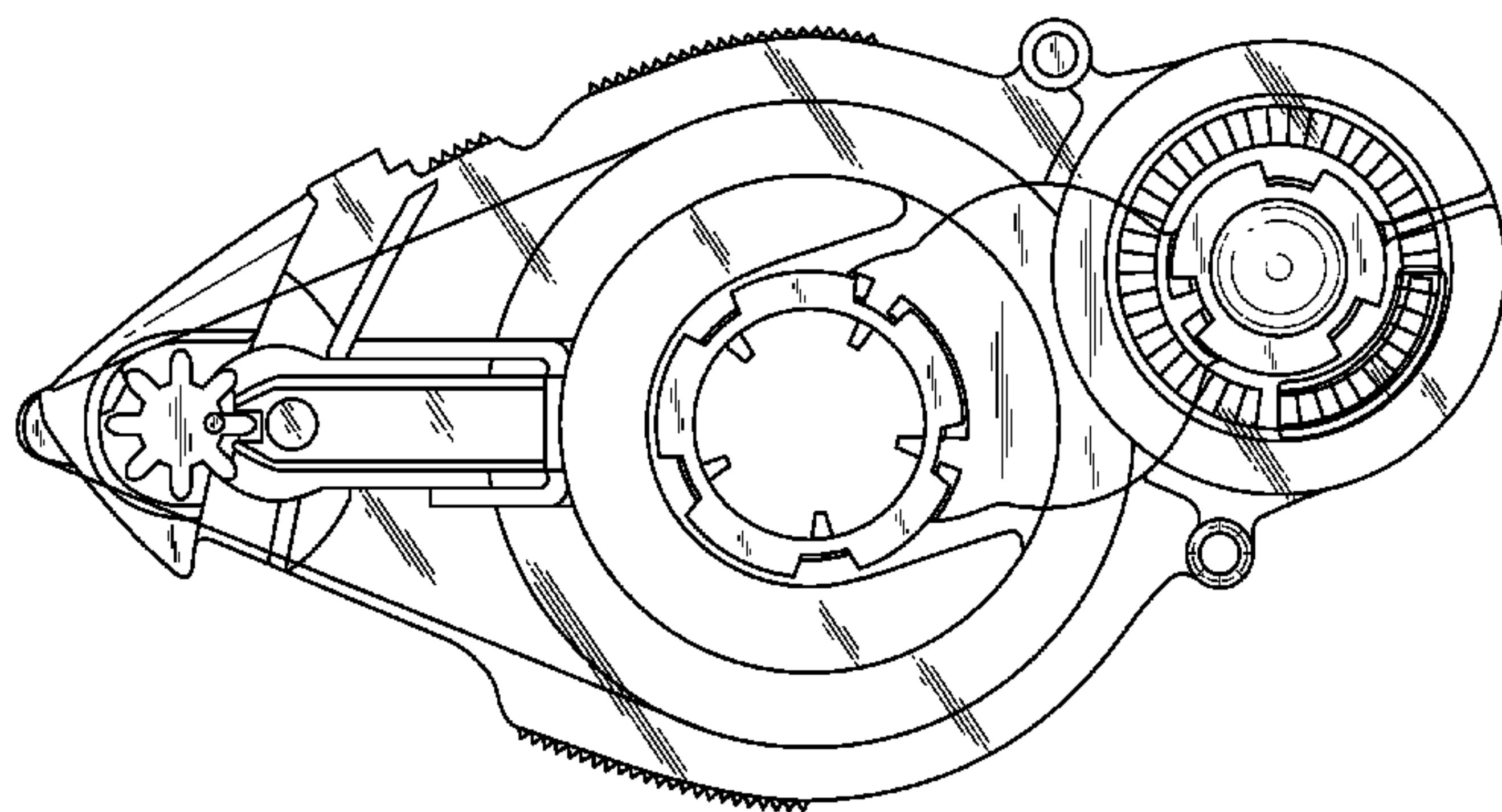
FIG. 5 is a top plan view thereof;

FIG. 6 is a bottom plan view thereof; and,

FIG. 7 is a top and right perspective view thereof.

The broken lines shown in the drawings represent unclaimed portions of the cartridge refill for a correction tape/glue tape and form no part of the claimed design.

**1 Claim, 7 Drawing Sheets**



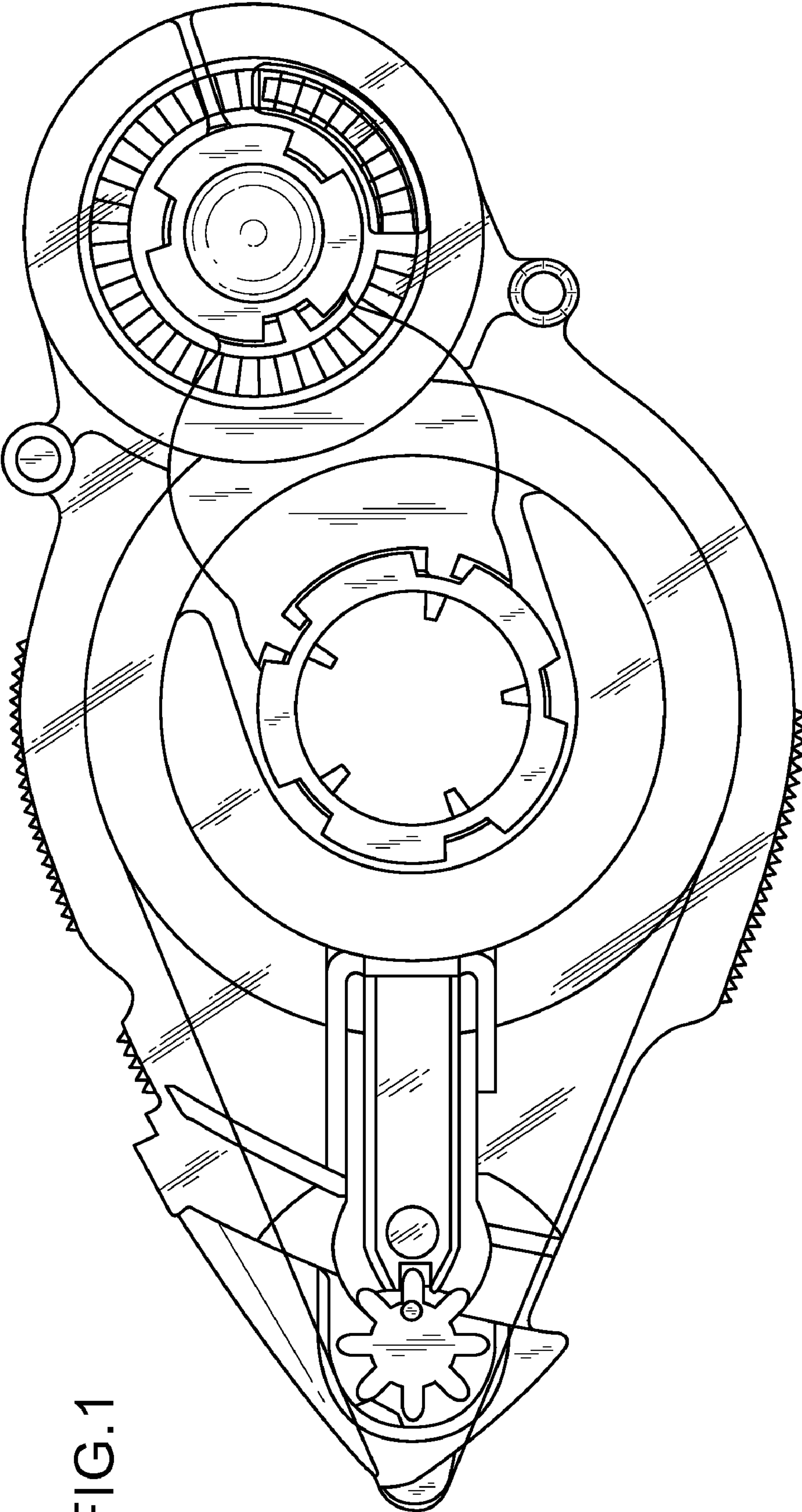


FIG.1

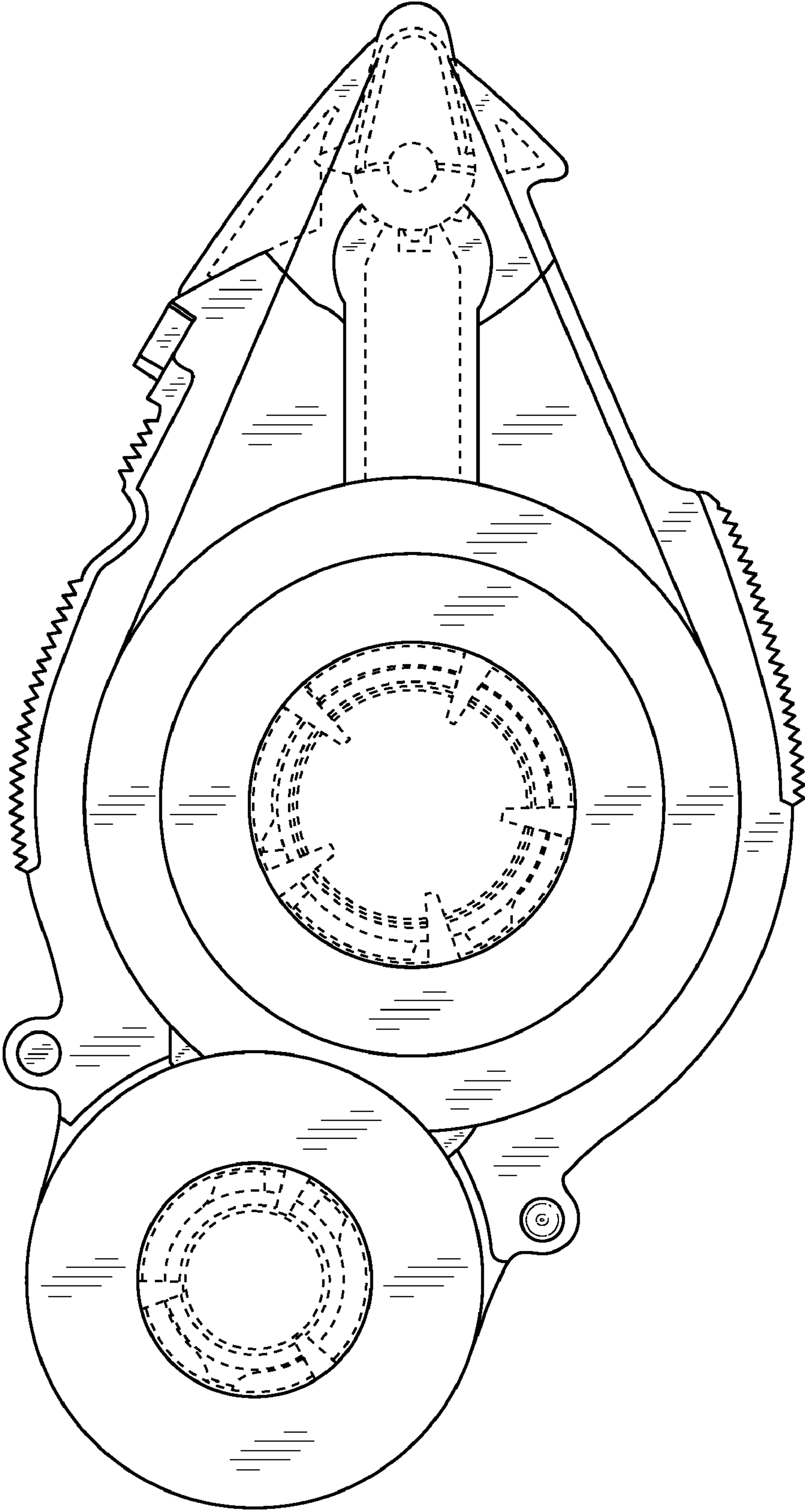


FIG.2

FIG. 3

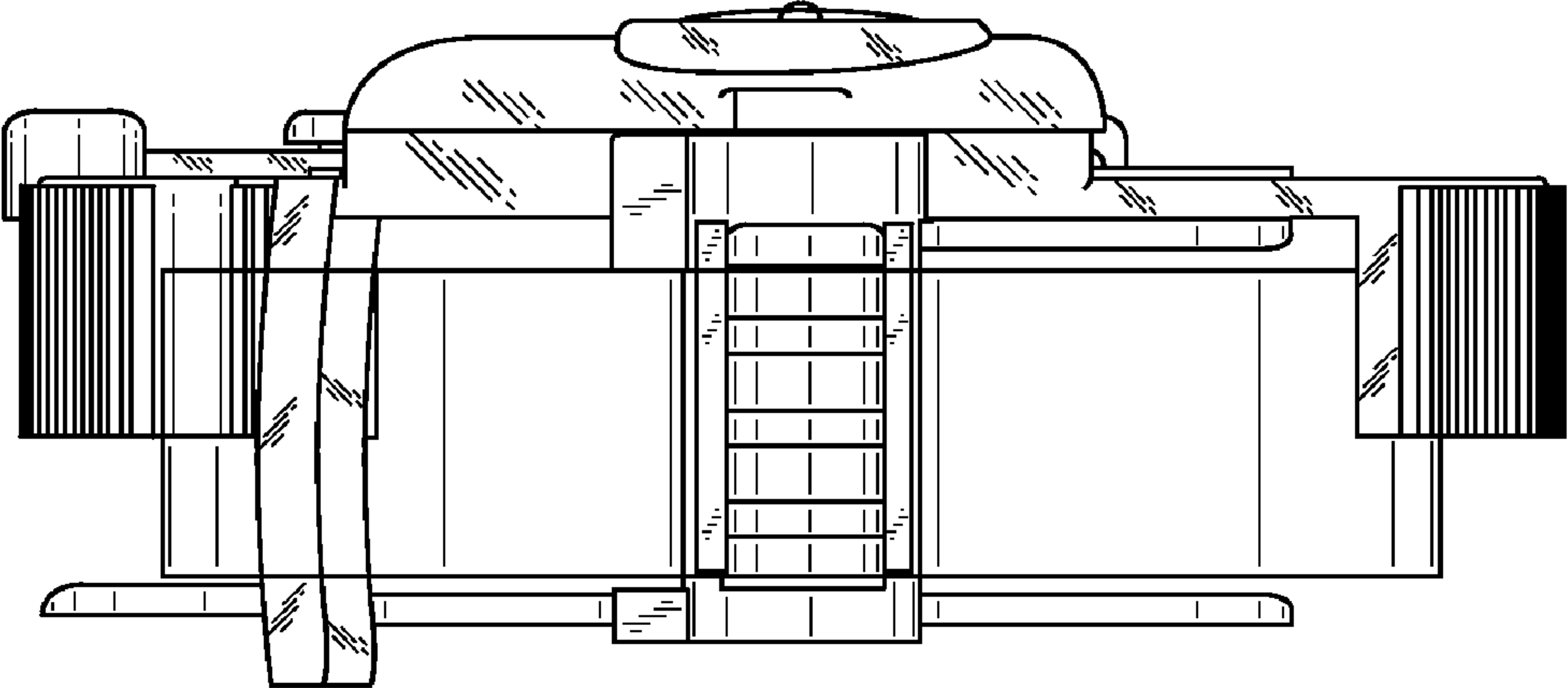
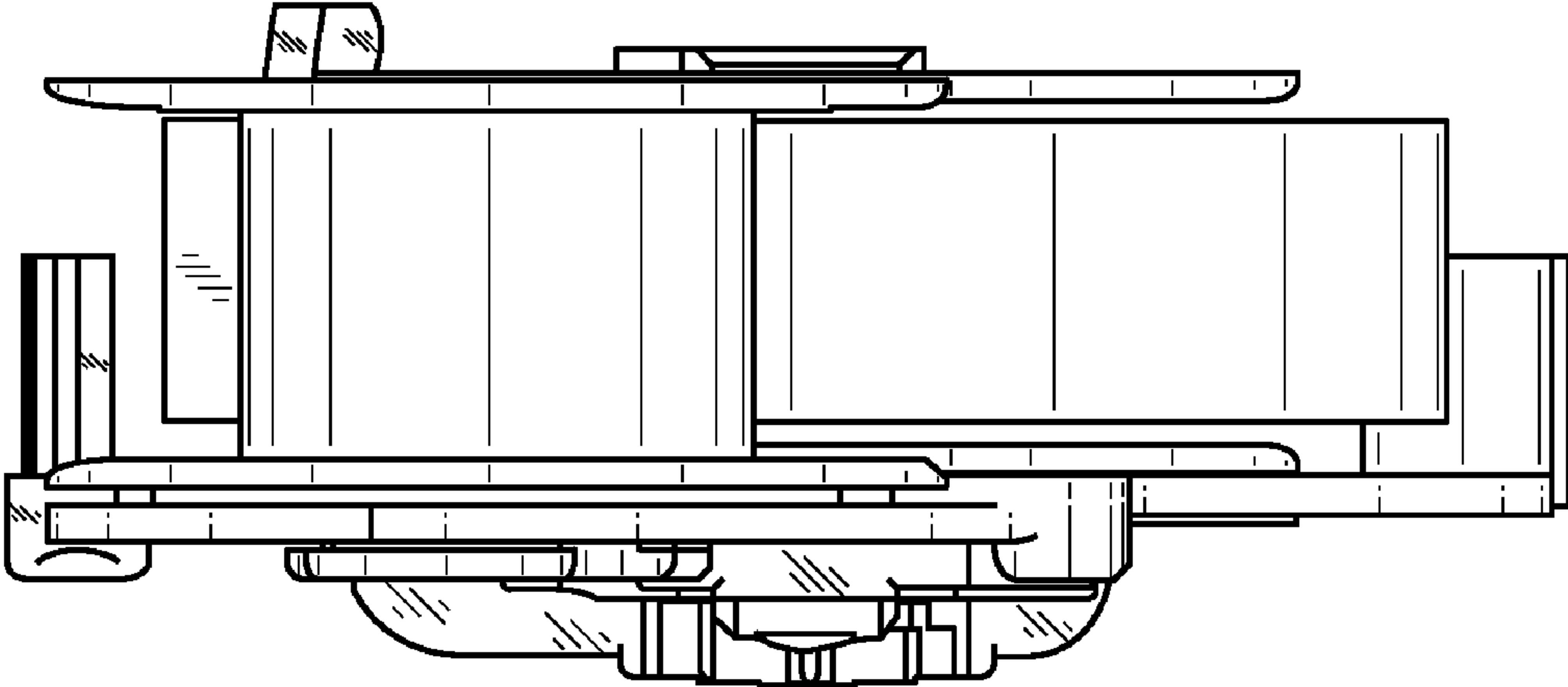




FIG.4



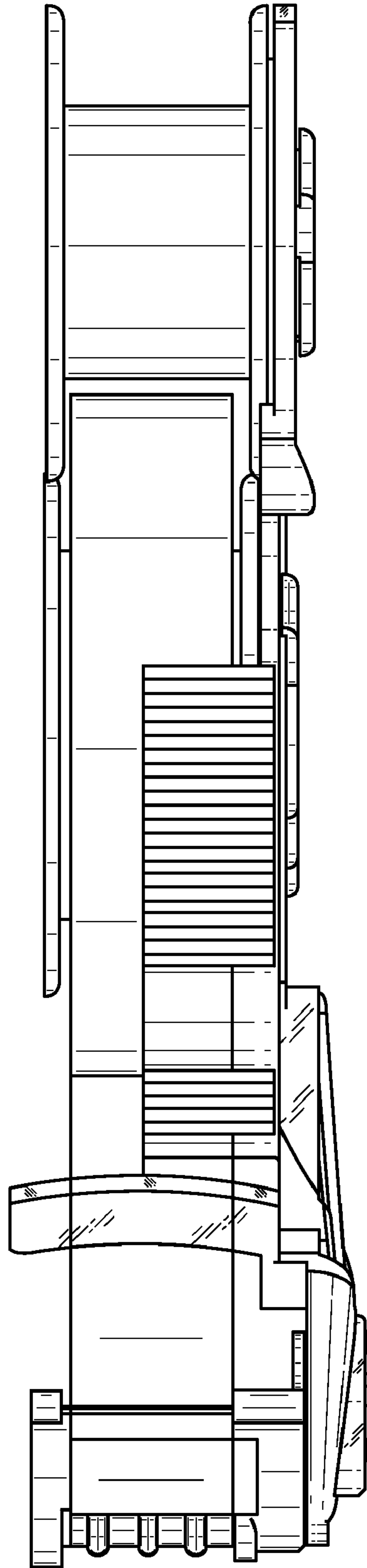


FIG.5

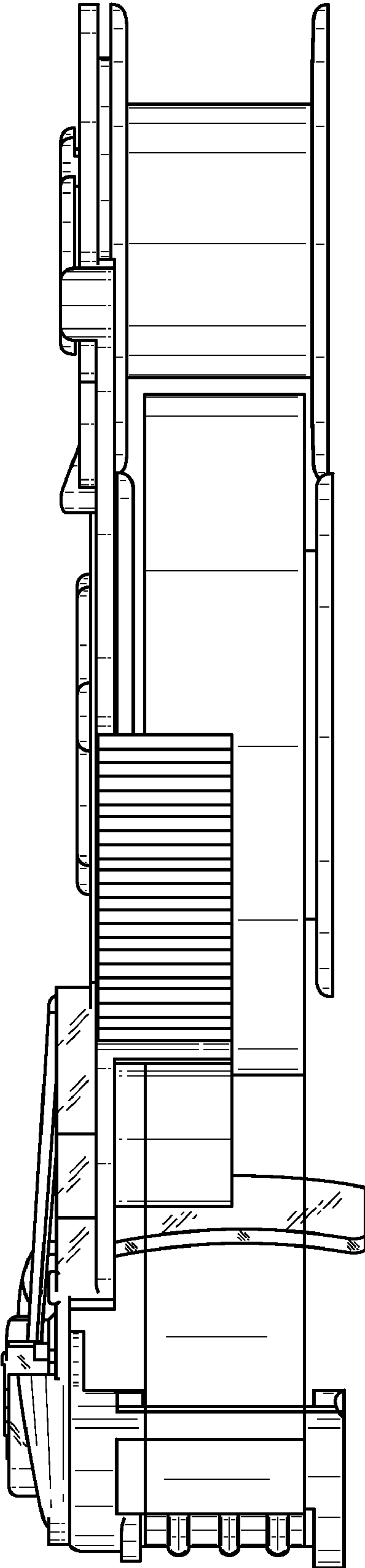


FIG.6

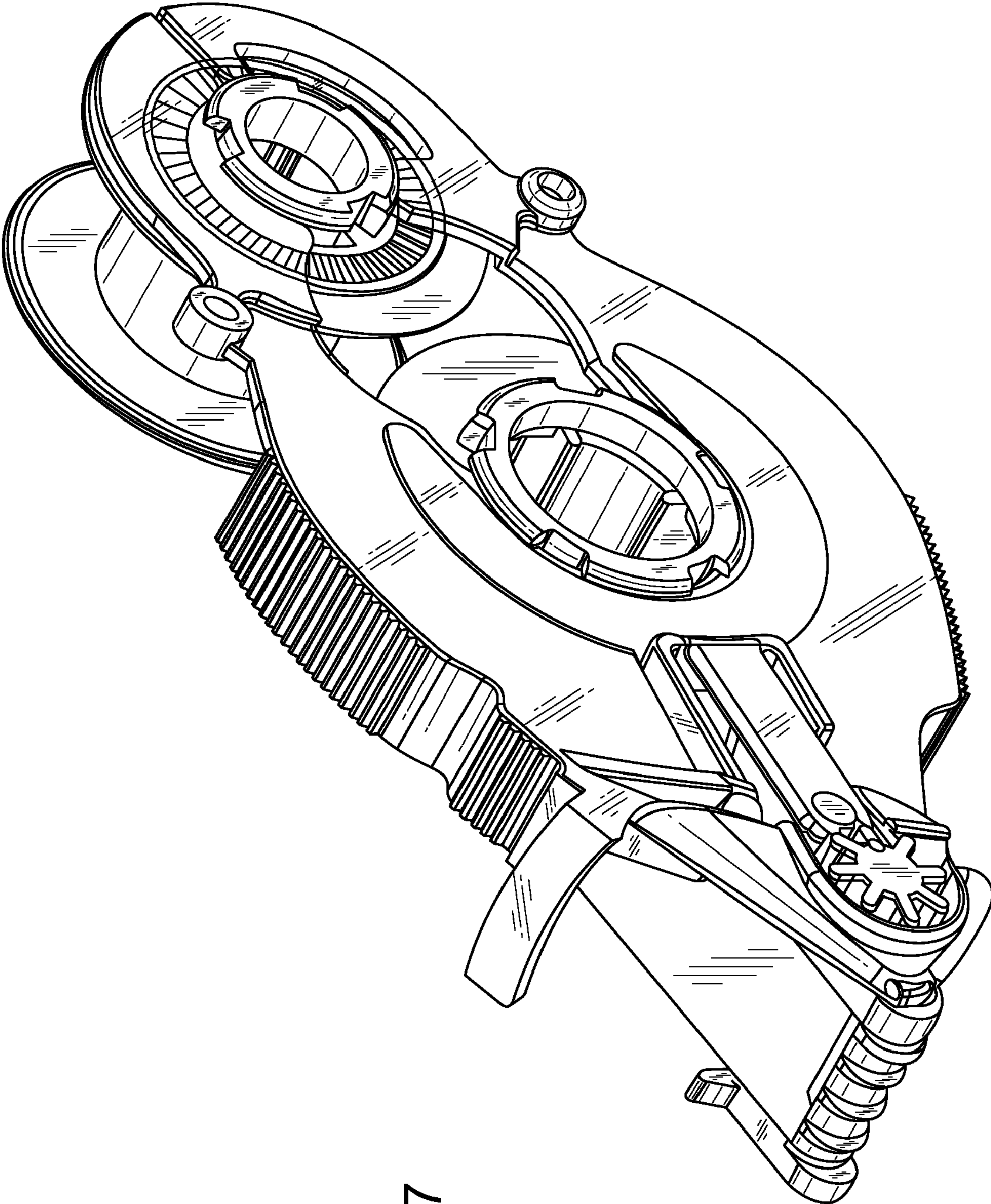


FIG. 7