



US00D611100S

(12) **United States Design Patent**
Narita et al.

(10) **Patent No.:** **US D611,100 S**
(45) **Date of Patent:** **** *Mar. 2, 2010**

(54) **TRANSPARENT CASE FOR A CORRECTION TAPE/GLUE TAPE (WITH NON-TRANSPARENT REFILL)**

D494,221 S *	8/2004	Suzuki	D19/69
D523,085 S *	6/2006	Mitsui et al.	D19/69
D542,847 S *	5/2007	Ono	D19/69
D559,912 S *	1/2008	Kai et al.	D19/69
D564,029 S *	3/2008	Ono	D19/69

(75) Inventors: **Yasuo Narita**, Tokyo (JP); **Hiroyuki Ariga**, Tokyo (JP)

* cited by examiner

(73) Assignee: **PLUS Stationery Corporation**, Tokyo (JP)

Primary Examiner—Cathron C Brooks

Assistant Examiner—Austin Murphy

(**) Term: **14 Years**

(74) *Attorney, Agent, or Firm*—Edwards Angell Palmer & Dodge LLP

(21) Appl. No.: **29/278,819**

(57) **CLAIM**

(22) Filed: **Apr. 11, 2007**

We claim the ornamental design for a transparent case for a correction tape/glue tape (with non-transparent refill), as shown and described.

(30) **Foreign Application Priority Data**

DESCRIPTION

Oct. 30, 2006 (JP) 2006-029565

(51) **LOC (9) Cl.** **19-02**

FIG. 1 is a front view of the transparent case for a correction tape/glue tape (with non-transparent refill);

(52) **U.S. Cl.** **D19/69**

FIG. 2 is a back view thereof;

(58) **Field of Classification Search** D19/66, D19/67, 68, 69, 70; 156/523, 257, 540, 577; 206/411; 225/6, 25, 39, 77; 242/588, 588.1, 242/588.2, 588.3, 588.6, 5

FIG. 3 is a left side view thereof;

See application file for complete search history.

FIG. 4 is a right side view thereof;

FIG. 5 is a top plan view thereof;

(56) **References Cited**

FIG. 6 is a bottom plan view thereof; and,

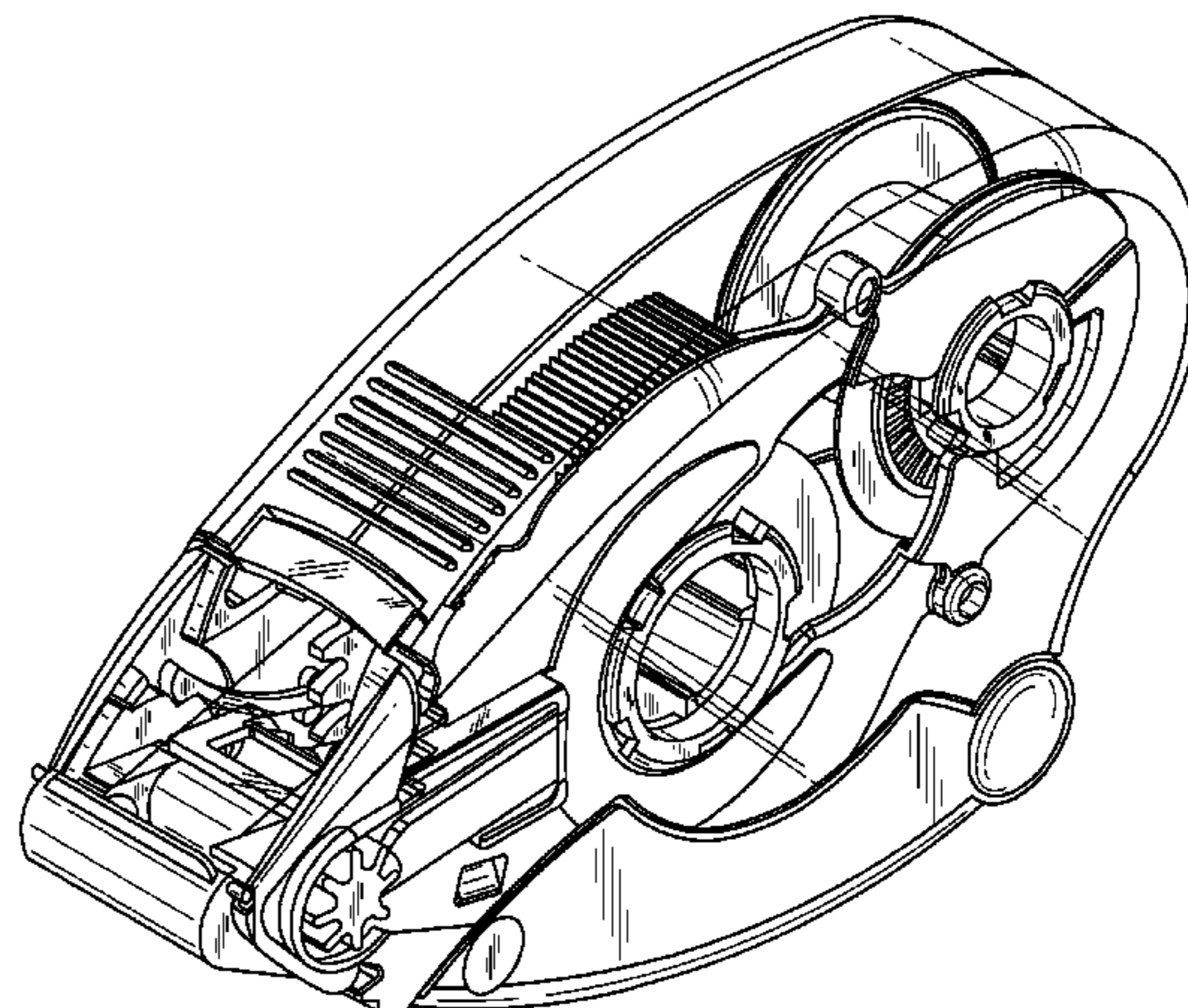
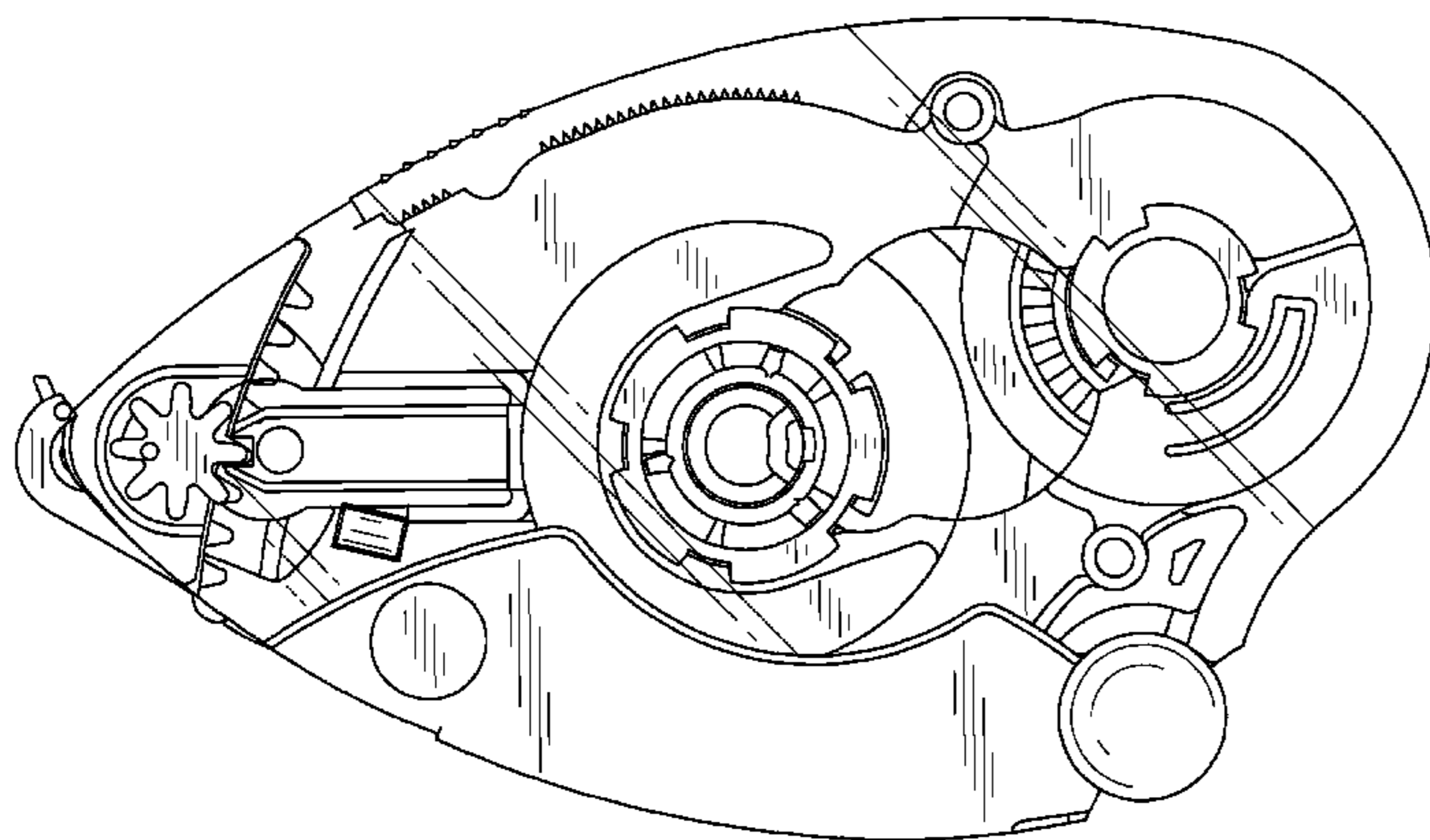
U.S. PATENT DOCUMENTS

FIG. 7 is a top and right perspective view thereof.

D418,165 S *	12/1999	Katami	D19/69
D466,554 S *	12/2002	Yonezawa et al.	D19/67
D476,687 S *	7/2003	Katami	D19/69
6,599,363 B2 *	7/2003	Narita	118/76
D483,409 S *	12/2003	Watanabe et al.	D19/69
D492,730 S *	7/2004	Suzuki	D19/69

The broken lines shown in the drawings represent unclaimed portions of the transparent case for a correction tape/glue tape (with non-transparent refill) and form no part of the claimed design.

1 Claim, 7 Drawing Sheets



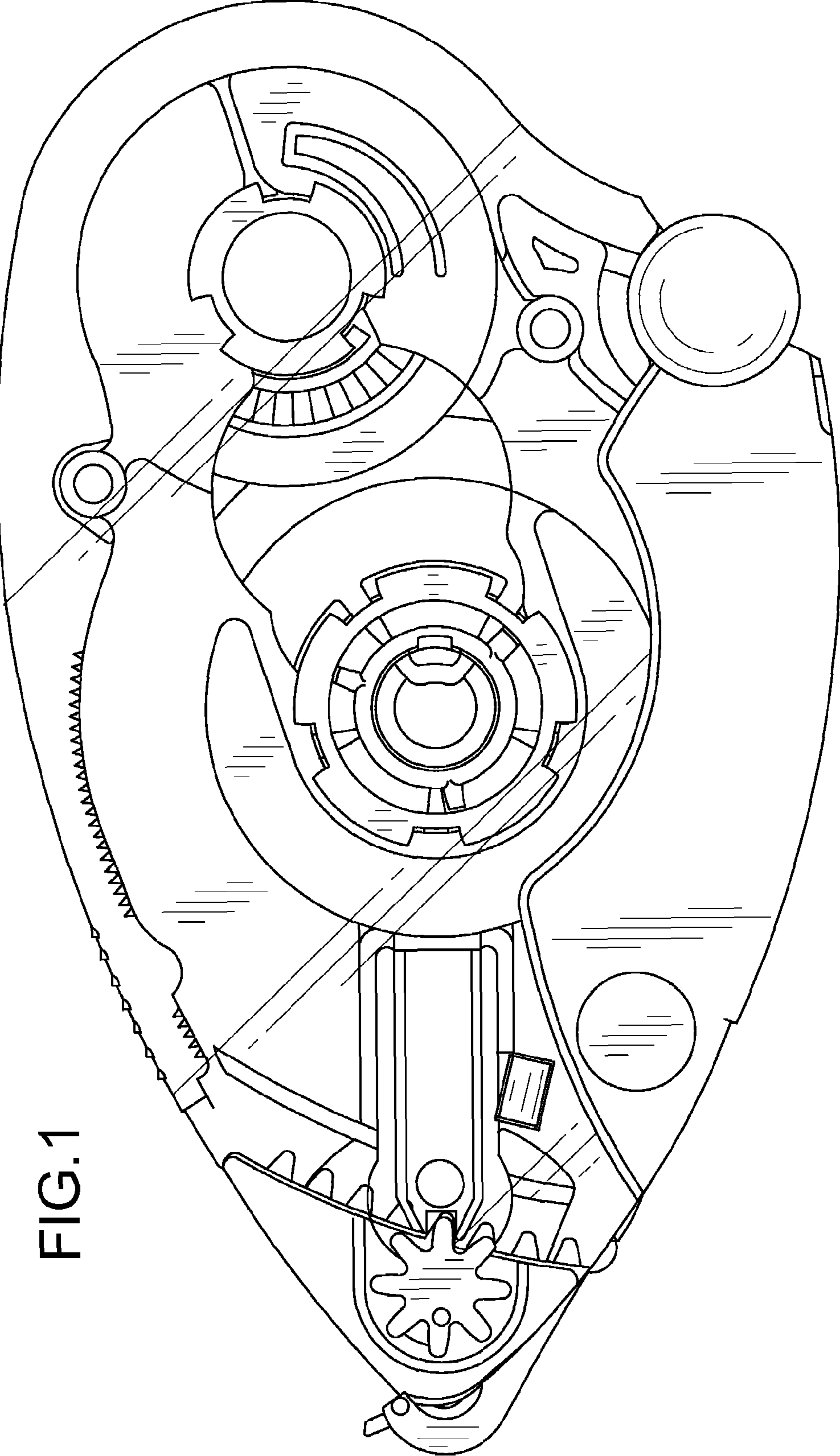


FIG. 1

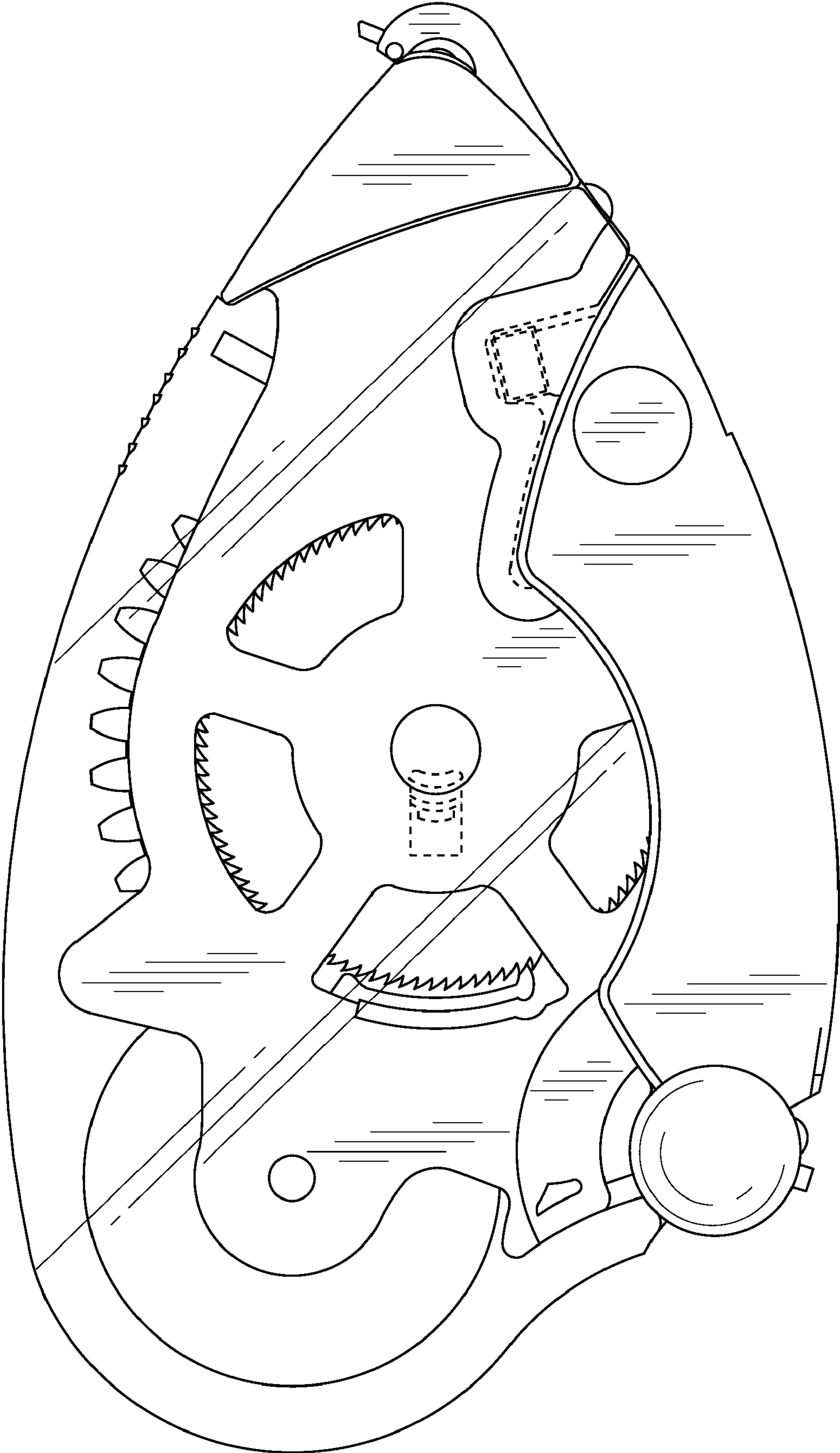


FIG. 2

FIG. 3

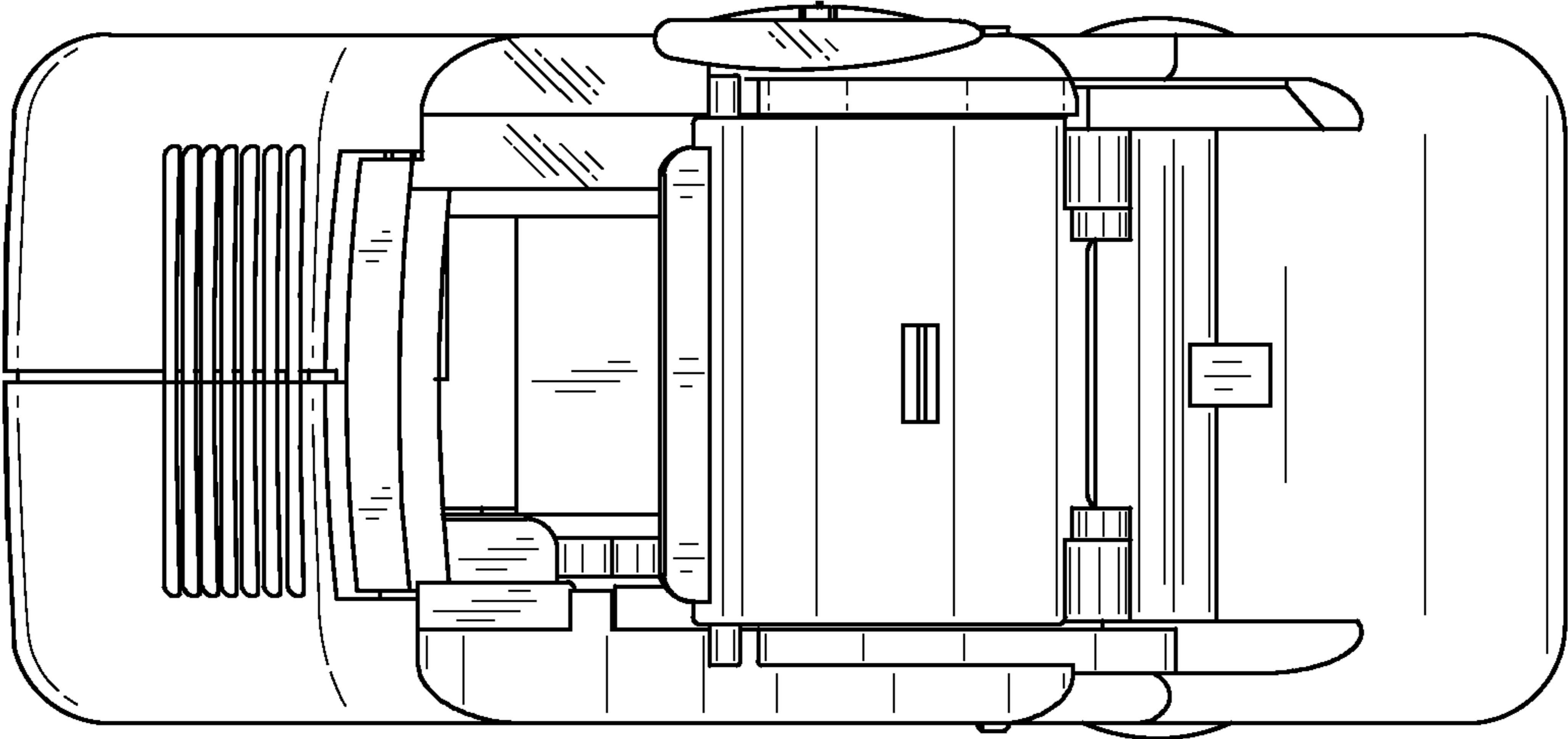


FIG.4

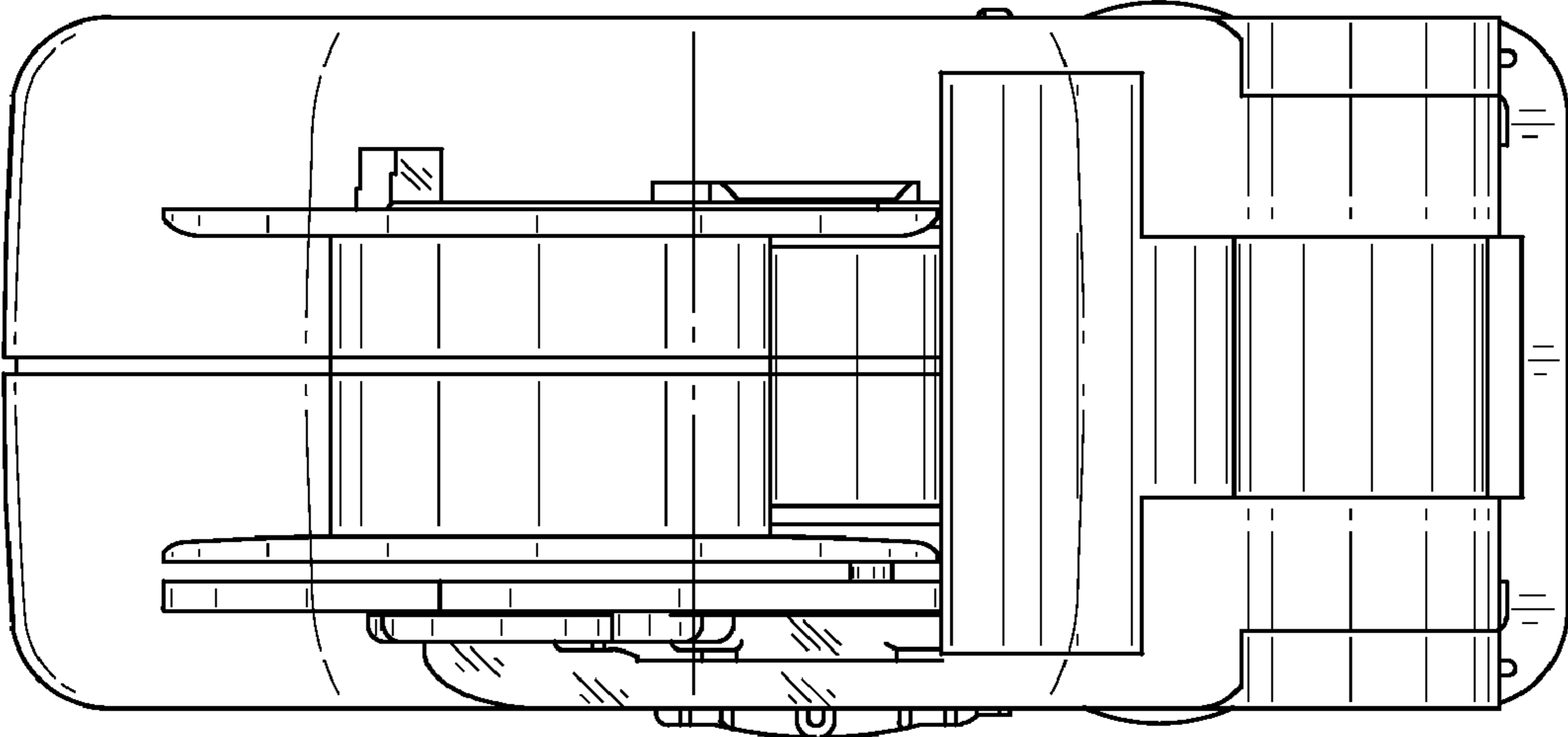
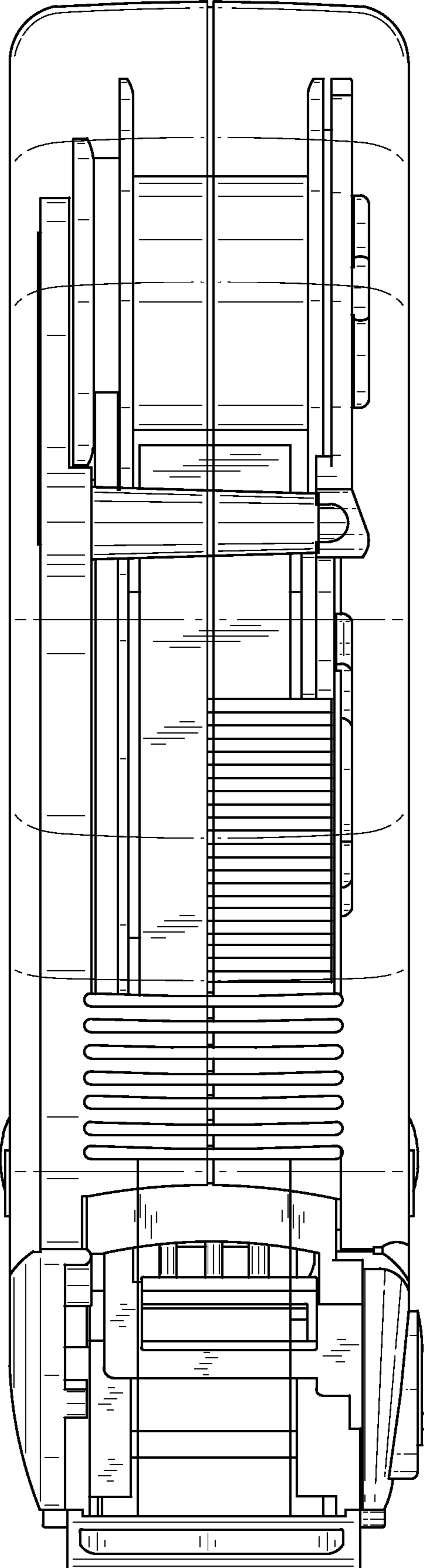


FIG. 5



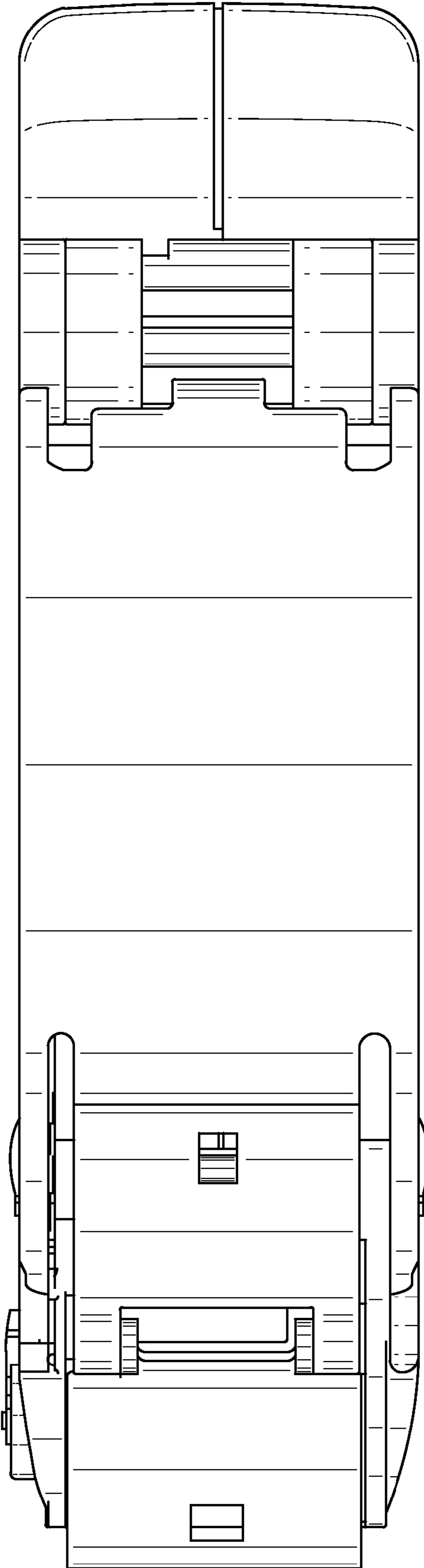


FIG. 6

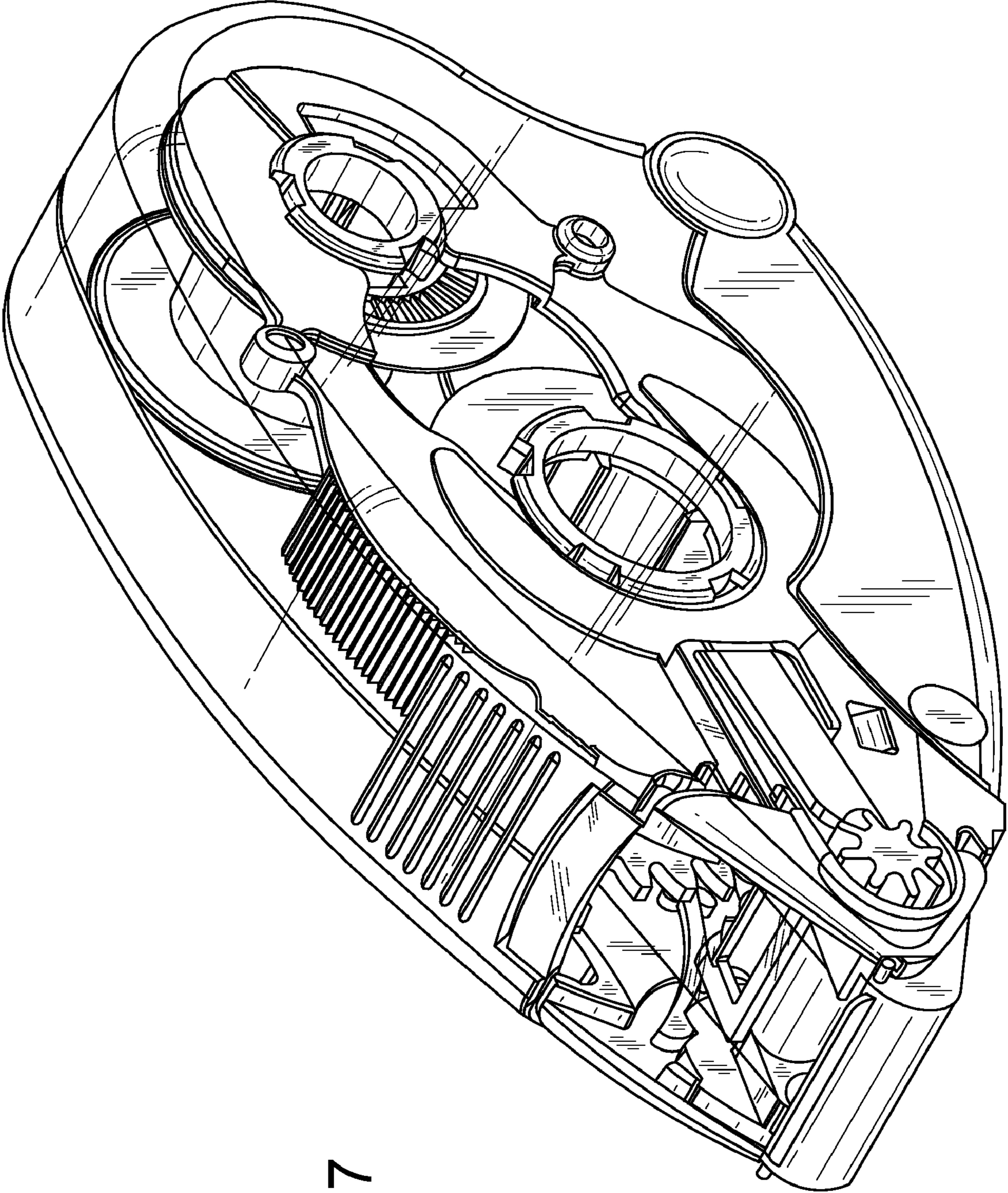


FIG.7