



US00D611098S

(12) **United States Design Patent**
Collin

(10) **Patent No.:** **US D611,098 S**
(45) **Date of Patent:** **** Mar. 2, 2010**

(54) **WRITING INSTRUMENT**

(75) Inventor: **Benoit Collin**, Nantes (FR)
(73) Assignee: **Waterman SAS**, Boulogne-Billancourt (FR)
(**) Term: **14 Years**
(21) Appl. No.: **29/346,174**
(22) Filed: **Oct. 28, 2009**

D392,316 S * 3/1998 Verhaeghe D19/49
D438,245 S * 2/2001 Hollington et al. D19/50
D438,246 S * 2/2001 Hollington et al. D19/51
D440,601 S * 4/2001 Sasaki D19/43
D459,393 S * 6/2002 Verhaeghe D19/43
D460,485 S * 7/2002 Keda D19/43
D467,970 S * 12/2002 Pellissa Beneyto D19/43
D490,850 S * 6/2004 Carls et al. D19/51
D495,742 S * 9/2004 Collin D19/43
D500,338 S * 12/2004 Kommer D19/43

Related U.S. Application Data

(62) Division of application No. 29/323,960, filed on Sep. 3, 2008.

Foreign Application Priority Data

Mar. 4, 2008 (EM) 000890793

(51) **LOC (9) Cl.** **19-06**
(52) **U.S. Cl.** **D19/49**
(58) **Field of Classification Search** D19/35,
D19/36, 41, 42, 43, 44, 45, 46, 47, 48, 49,
D19/50, 51, 54, 55, 56, 57; 24/11 F, 11 P,
24/11 R; 401/6, 52, 99, 100, 104, 105, 106,
401/107, 108, 109, 192, 195, 243, 244, 245,
401/246, 247; 362/118

See application file for complete search history.

References Cited

U.S. PATENT DOCUMENTS

D160,757 S * 10/1950 Weiss D19/36
D229,110 S * 11/1973 Corte D19/43
D258,217 S * 2/1981 Sakaoka D19/49
D280,737 S * 9/1985 Verhaegue D19/48
D284,773 S * 7/1986 Schwartz et al. D19/48
D288,335 S * 2/1987 Regnault D19/49
D294,599 S * 3/1988 Funahashi et al. D19/48
D323,673 S * 2/1992 Gomez D19/49
D329,252 S * 9/1992 Mackin D19/36
D330,217 S * 10/1992 Booker D19/48
D383,494 S * 9/1997 Polenber D19/48

(Continued)

Primary Examiner—Elizabeth A Albert
Assistant Examiner—Karen E Eldridge Powers
(74) *Attorney, Agent, or Firm*—Marshall, Gerstein & Borun LLP

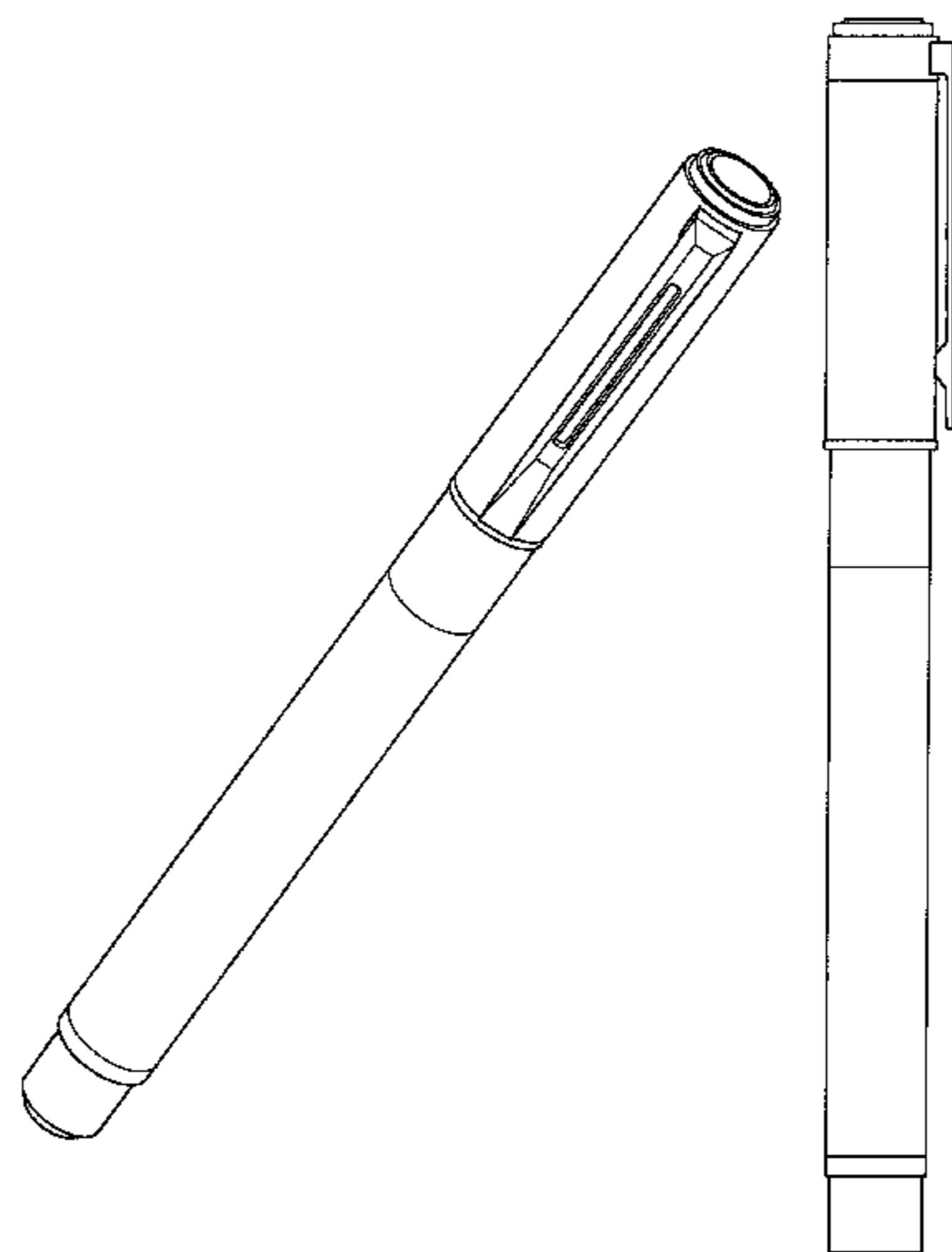
(57) **CLAIM**

The ornamental design for a writing instrument, as shown and described.

DESCRIPTION

FIG. 1 is a perspective view showing my new design for a writing instrument;
FIG. 2 is a left side view of the writing instrument of FIG. 1;
FIG. 3 is a front view of the writing instrument of FIG. 1;
FIG. 4 is a right side view of the writing instrument of FIG. 1;
FIG. 5 is a rear view of the writing instrument of FIG. 1;
FIG. 6 is a bottom plan view of the writing instrument of FIG. 1; and,
FIG. 7 is a top plan view of the writing instrument of FIG. 1.

1 Claim, 2 Drawing Sheets



US D611,098 S

Page 2

U.S. PATENT DOCUMENTS

| | | | | | | | |
|--------------|---------|---------------------|--------|-------------------|---------|------------------------|---------|
| D501,028 S * | 1/2005 | Carre | D19/43 | D575,818 S * | 8/2008 | Zhang | D19/49 |
| D501,506 S * | 2/2005 | Kommer | D19/51 | 7,461,991 B2 * | 12/2008 | Dalancourt et al. | 401/251 |
| D501,880 S * | 2/2005 | Collin | D19/43 | D585,937 S * | 2/2009 | Dhesse et al. | D19/48 |
| D504,152 S * | 4/2005 | Collin | D19/43 | D589,090 S * | 3/2009 | Dhesse et al. | D19/55 |
| D504,154 S * | 4/2005 | Collin | D19/49 | D591,347 S * | 4/2009 | Leon | D19/48 |
| D525,303 S * | 7/2006 | Andrews et al. | D19/51 | D592,247 S * | 5/2009 | Brown | D19/48 |
| D545,366 S * | 6/2007 | Ternovits | D19/51 | D593,605 S * | 6/2009 | Yu et al. | D19/49 |
| D553,189 S * | 10/2007 | Qiu | D19/47 | D597,600 S * | 8/2009 | Shimizu | D19/49 |
| D566,174 S * | 4/2008 | Silverstein | D19/43 | D598,496 S * | 8/2009 | Ikeda | D19/45 |
| D568,932 S * | 5/2008 | Qiu et al. | D19/43 | 2007/0248401 A1 * | 10/2007 | Noguchi | 401/225 |

* cited by examiner

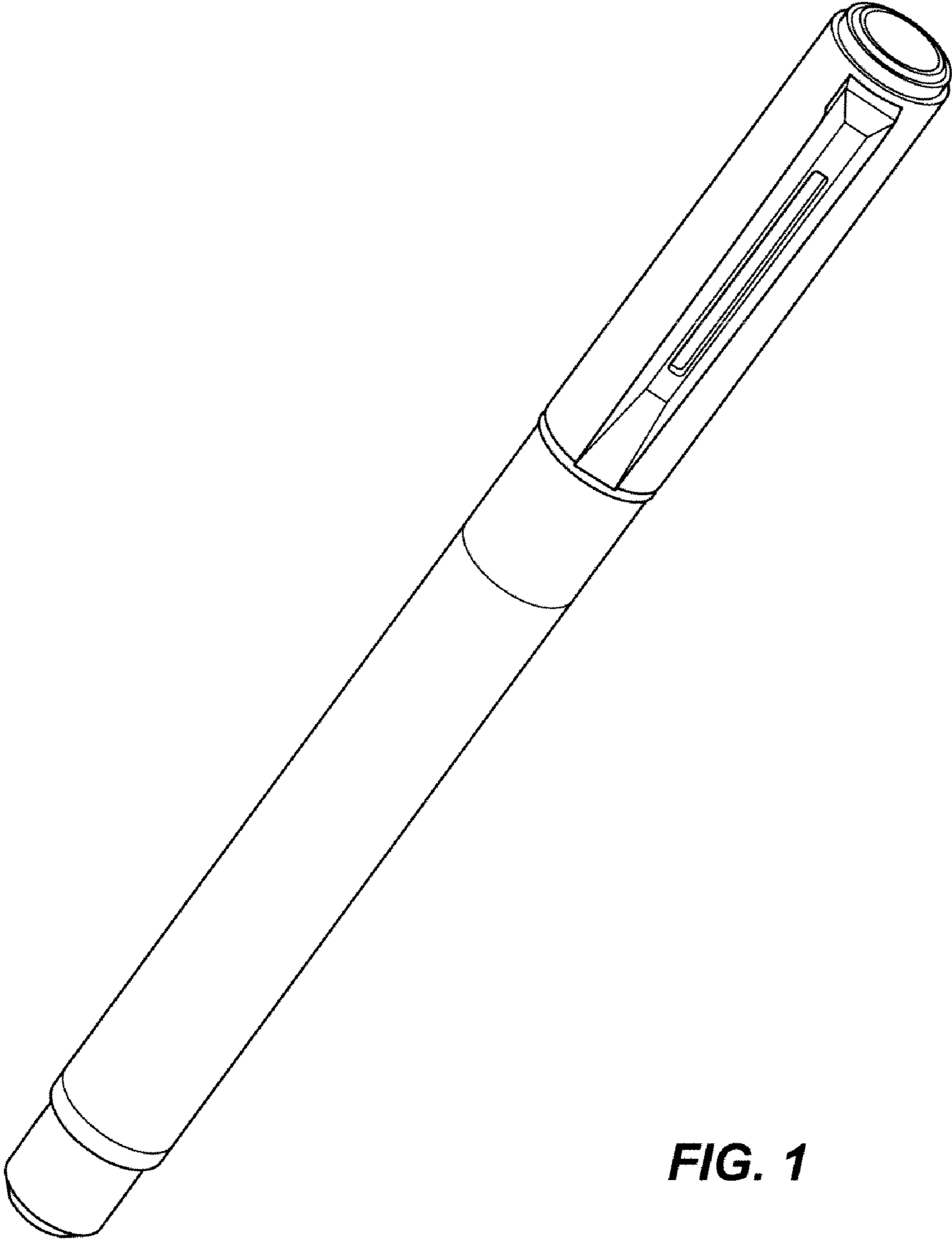


FIG. 1

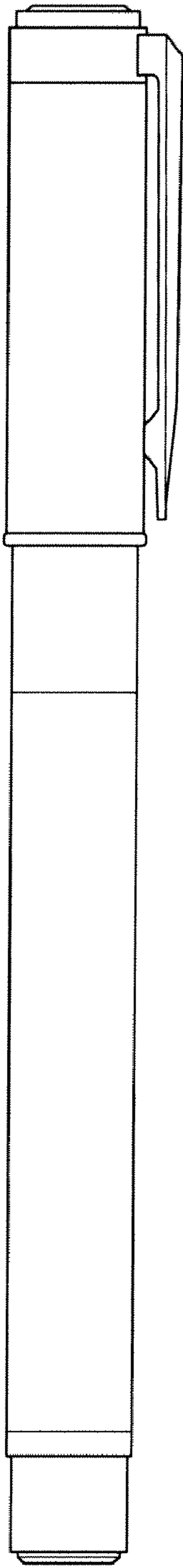


FIG. 2

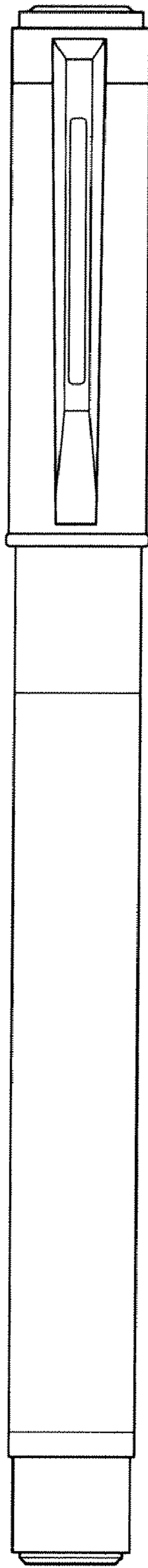


FIG. 3

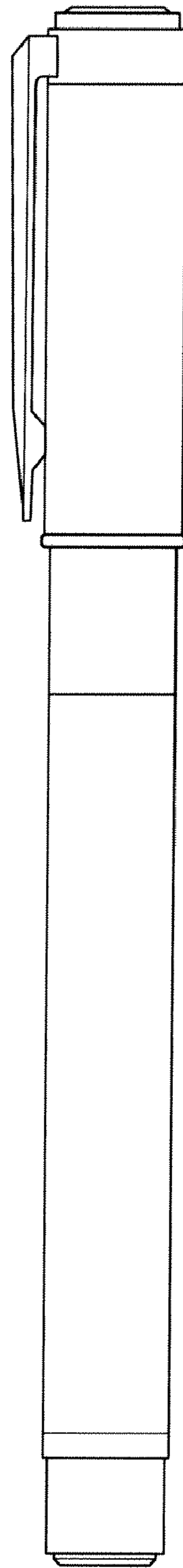


FIG. 4

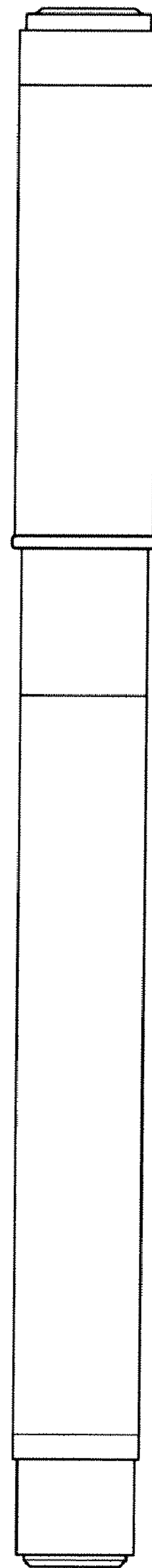


FIG. 5

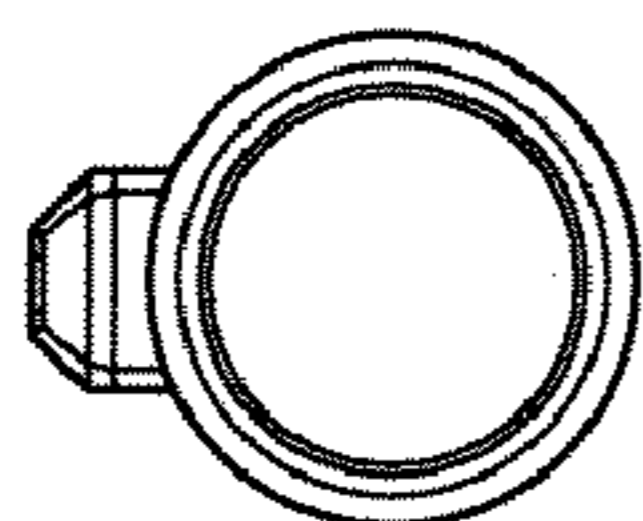


FIG. 6

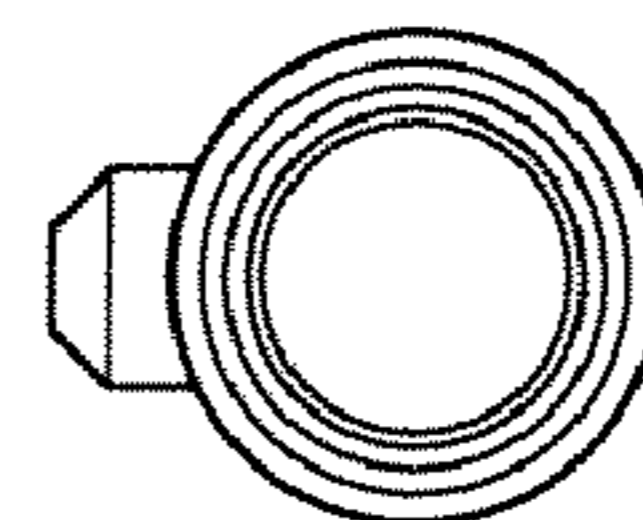


FIG. 7