



US00D611090S

(12) **United States Design Patent**  
**Hackney et al.**

(10) **Patent No.:** **US D611,090 S**

(45) **Date of Patent:** **\*\* Mar. 2, 2010**

(54) **PHOTOCONDUCTOR UNIT**

(75) Inventors: **Gary Neal Hackney**, Georgetown, KY (US); **Donald Thomas Kral**, Lexington, KY (US); **James John Molloy**, Lexington, KY (US); **Benjamin Keith Newman**, Lexington, KY (US)

(73) Assignee: **Lexmark International, Inc.**, Lexington, KY (US)

(\*\*) Term: **14 Years**

(21) Appl. No.: **29/248,052**

(22) Filed: **Jul. 27, 2006**

(51) **LOC (9) Cl.** ..... **16-03**

(52) **U.S. Cl.** ..... **D18/43**

(58) **Field of Classification Search** ..... D14/462,  
D14/469-471; D18/12, 46, 40, 43, 44, 56;  
222/DIG. 1; 347/197, 222; 399/24-28, 107-112,  
399/119, 121, 122, 222-224; 400/207, 208  
See application file for complete search history.

(56) **References Cited**

**U.S. PATENT DOCUMENTS**

D353,616 S \* 12/1994 Ishibashi et al. .... D18/43  
D362,677 S \* 9/1995 Ishibashi et al. .... D18/43  
5,557,382 A \* 9/1996 Tatsumi et al. .... 222/DIG. 1  
D445,822 S \* 7/2001 Tosa et al. .... D18/40

D458,300 S \* 6/2002 Kwon ..... D18/43  
2002/0051653 A1 \* 5/2002 Toba et al. .... 399/111

\* cited by examiner

*Primary Examiner*—Caron Veynar

*Assistant Examiner*—Garth Rademaker

(74) *Attorney, Agent, or Firm*—Grossman, Tucker, Perreault & Pflieger, PLLC

(57) **CLAIM**

The ornamental design for a photoconductor unit, as shown and described.

**DESCRIPTION**

FIG. 1 is a perspective view of a photoconductor unit showing the present invention;

FIG. 2 is a front elevation view thereof;

FIG. 3 is a rear elevation view thereof;

FIG. 4 is a left side elevation view thereof;

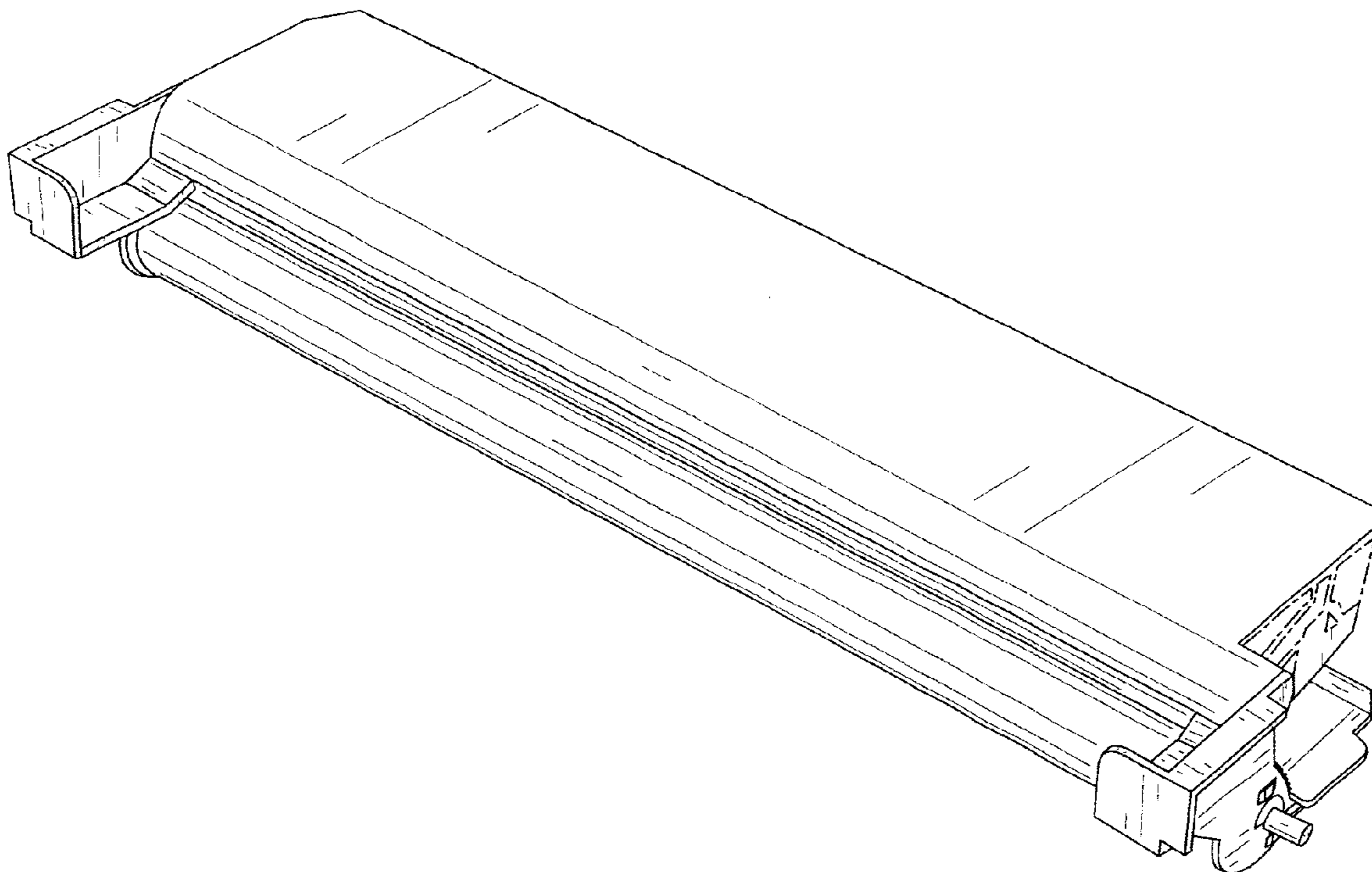
FIG. 5 is a right side elevation view thereof;

FIG. 6 is a top plan view thereof; and,

FIG. 7 is a bottom plan view thereof.

The broken lines shown in FIGS. 1, 4 and 5 are for the purpose of illustrating portions of the photoconductor unit and form no part of the claimed design.

**1 Claim, 6 Drawing Sheets**



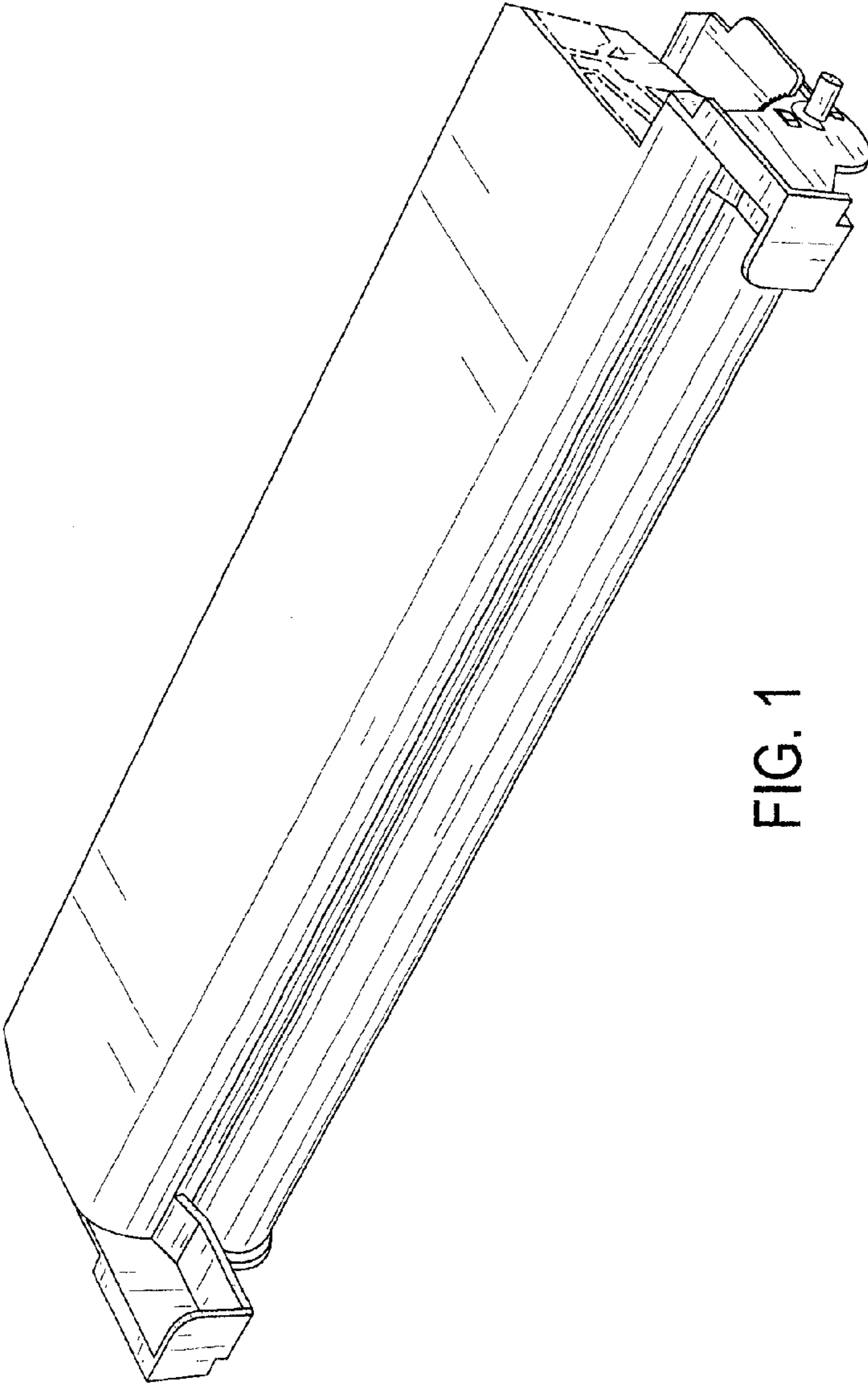


FIG. 1

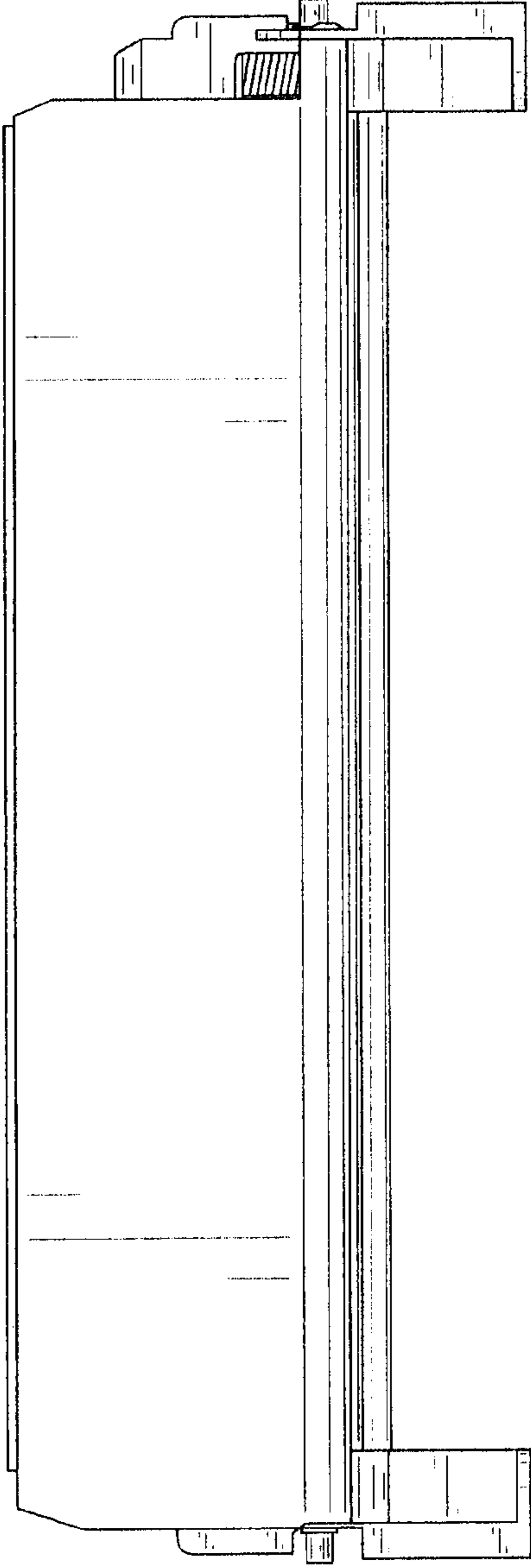


FIG. 2

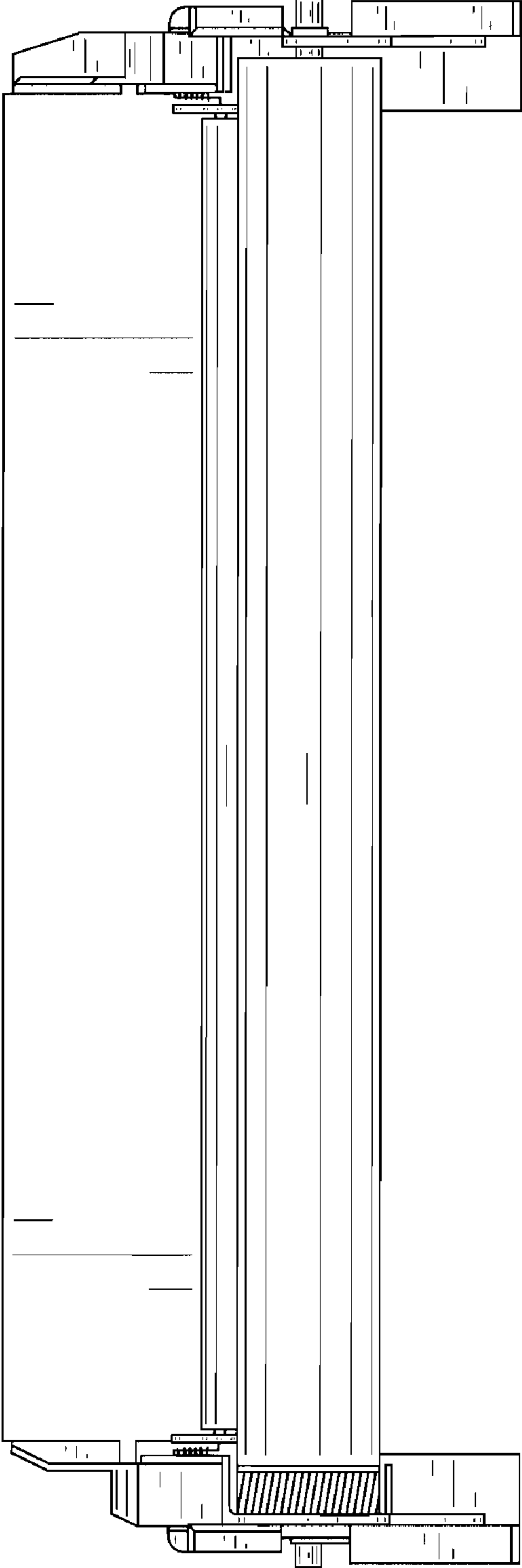


FIG. 3

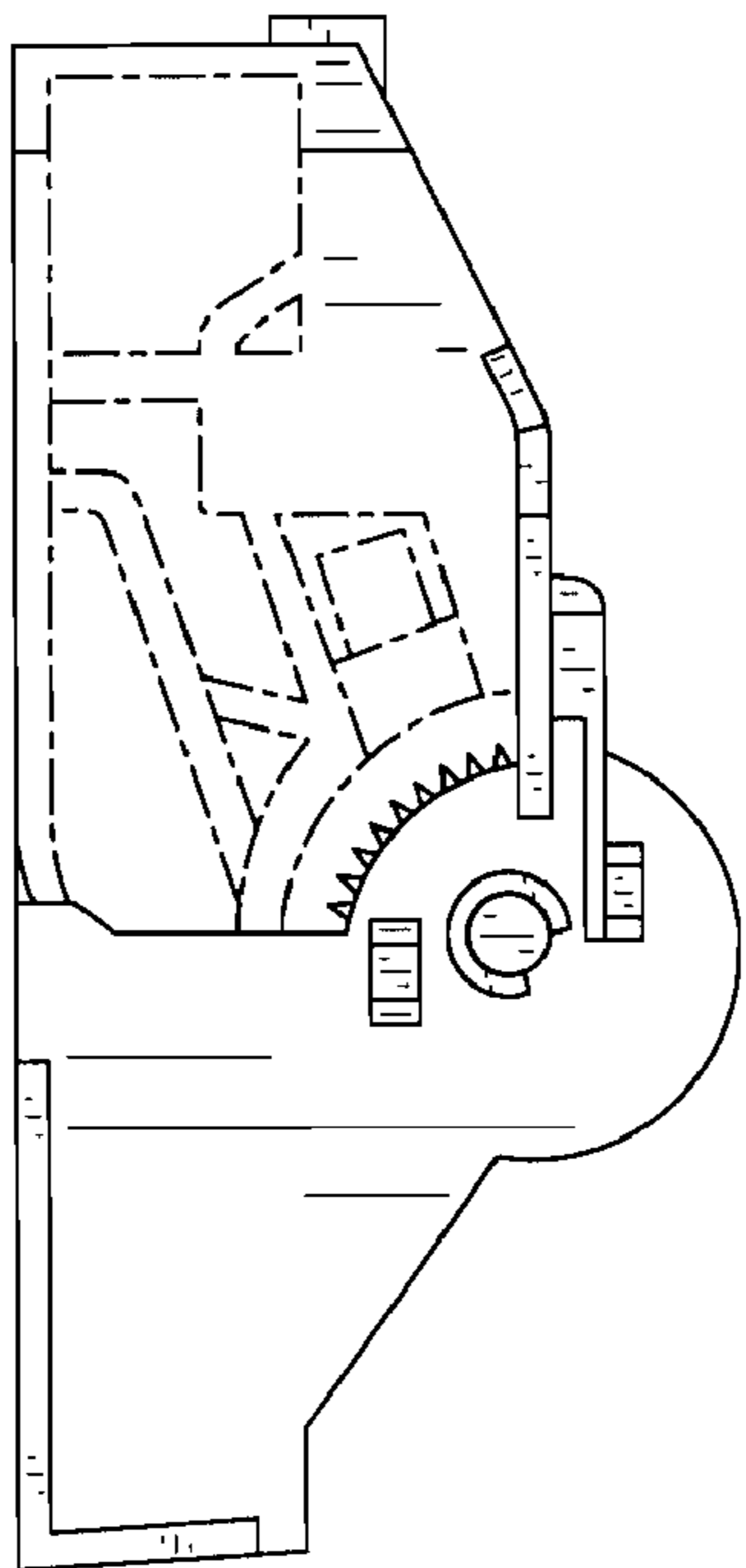


FIG. 5

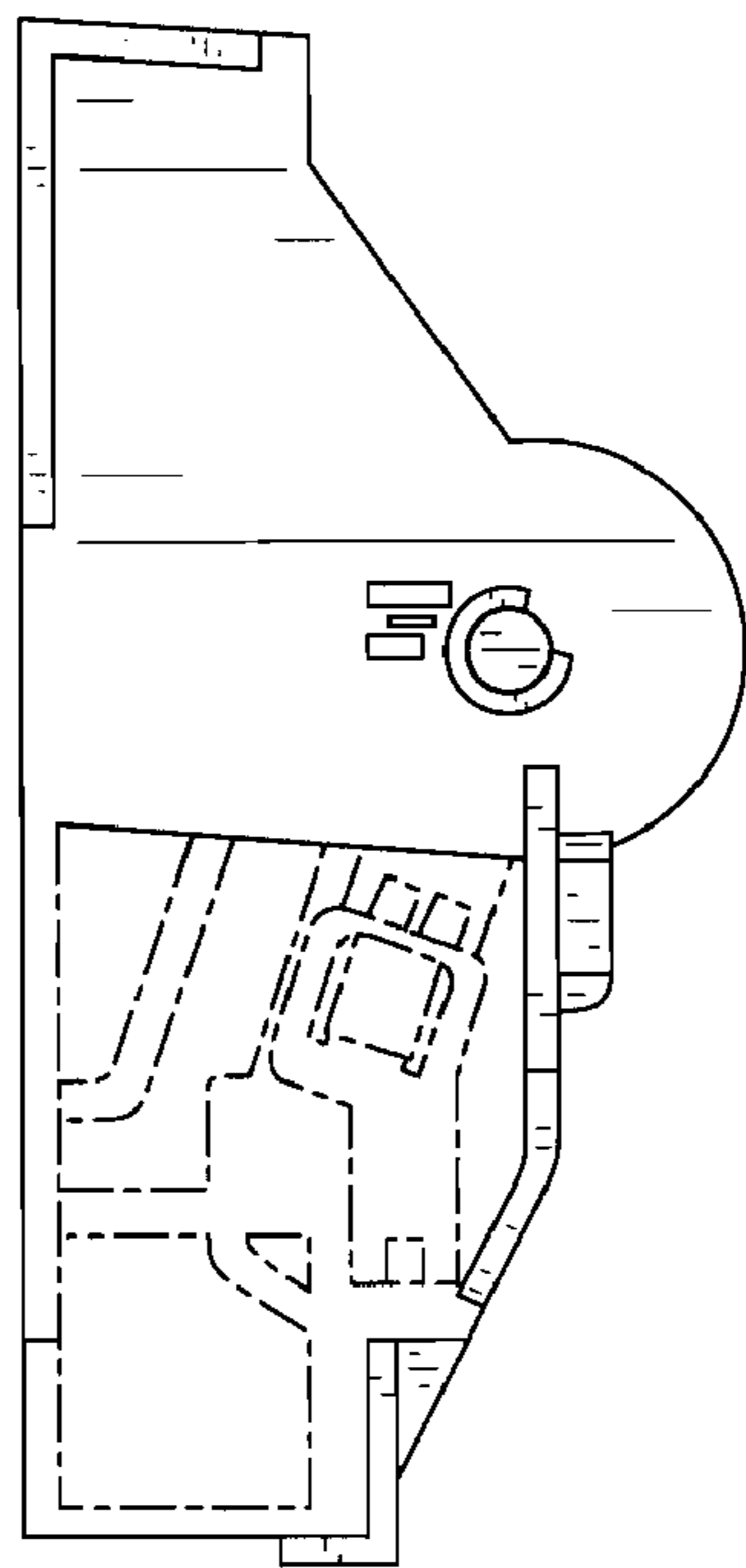


FIG. 4

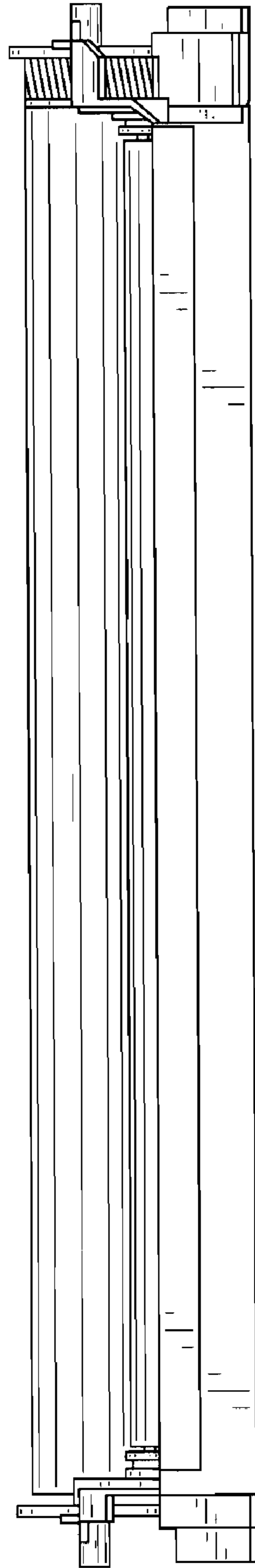


FIG. 6

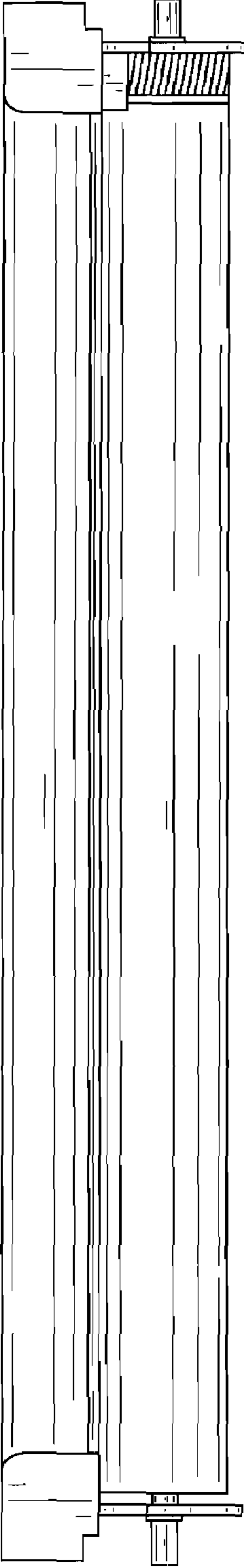


FIG. 7