



US00D611082S

(12) **United States Design Patent**
Tajima

(10) **Patent No.:** **US D611,082 S**
(45) **Date of Patent:** **** Mar. 2, 2010**

(54) **DIGITAL CAMERA**

(75) Inventor: **Kenji Tajima**, Hachioji (JP)

(73) Assignee: **Olympus Imaging Corp.**, Tokyo (JP)

(**) Term: **14 Years**

(21) Appl. No.: **29/332,281**

(22) Filed: **Feb. 12, 2009**

(30) **Foreign Application Priority Data**

Dec. 26, 2008 (JP) 2008-033273

(51) **LOC (9) Cl.** **16-05**

(52) **U.S. Cl.** **D16/219**

(58) **Field of Classification Search** D16/200–204,
D16/208, 218, 219; 348/373–376; 358/909.1;
396/535–541

See application file for complete search history.

(56) **References Cited**

U.S. PATENT DOCUMENTS

D518,499 S *	4/2006	Iue	D16/219
D561,228 S *	2/2008	Imai	D16/219
D570,889 S *	6/2008	Nakajima	D16/202
D571,389 S *	6/2008	Naito	D16/219
D573,626 S *	7/2008	Nakajima	D16/219
D582,465 S *	12/2008	Nakajima	D16/219
7,507,041 B2 *	3/2009	Ueda et al.	348/375

OTHER PUBLICATIONS

Related U.S. Appl. No. 29/332,277, filed Feb. 12, 2009.

* cited by examiner

Primary Examiner—Adir Aronovich

(74) *Attorney, Agent, or Firm*—Frishauf, Holtz, Goodman & Chick, P.C.

(57) **CLAIM**

The ornamental design for a digital camera, as shown and described.

DESCRIPTION

FIG. 1 is a front, top and right side perspective view of a digital camera showing my new design;

FIG. 2 is front elevational view thereof;

FIG. 3 is rear elevational view thereof;

FIG. 4 is a top plan view thereof;

FIG. 5 is a bottom plan view thereof;

FIG. 6 is right side elevational view thereof; and,

FIG. 7 is left side elevational view thereof.

The portions of the digital camera in broken lines are shown for illustrative purposes only and form no part of the claimed design.

1 Claim, 4 Drawing Sheets

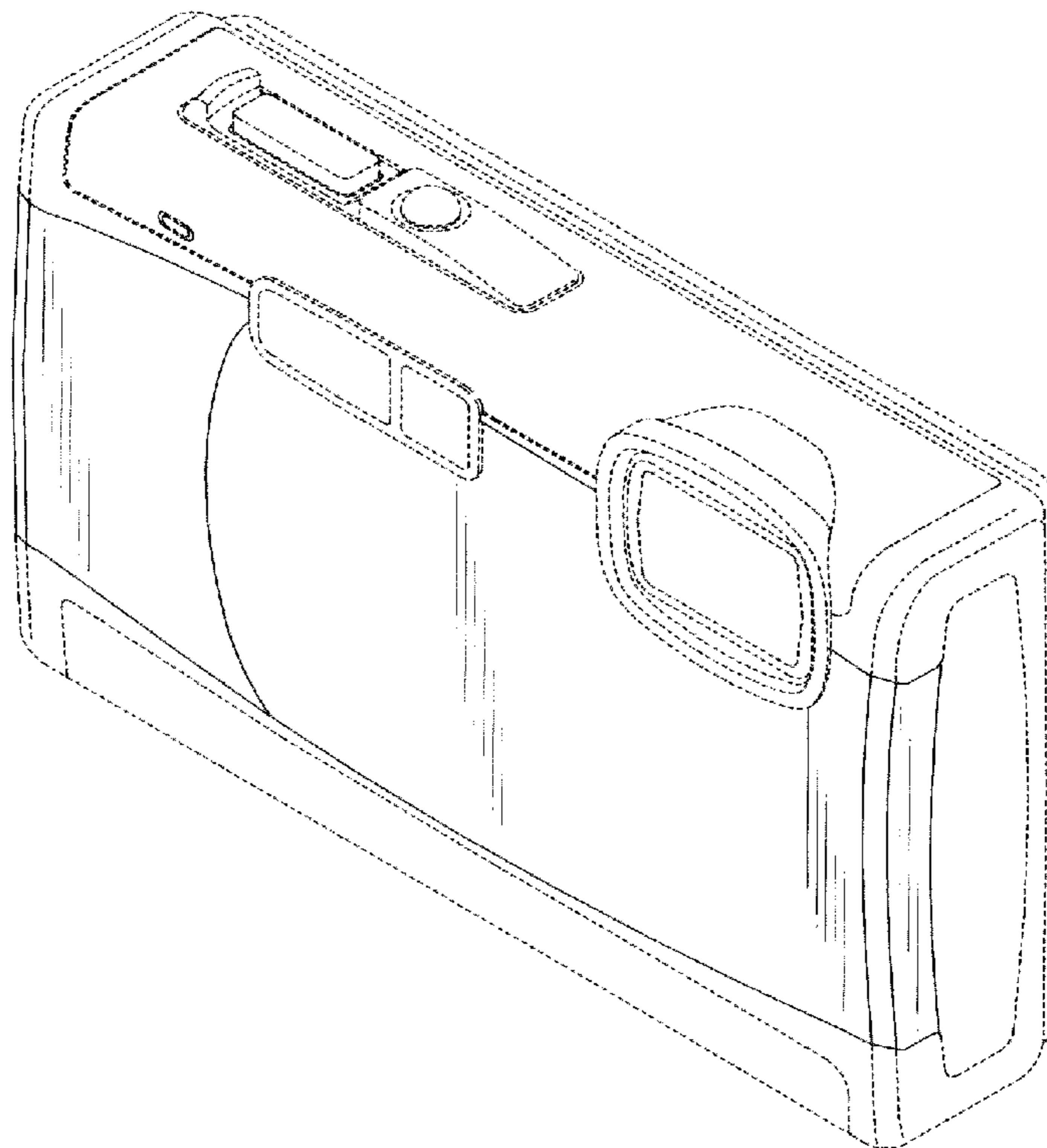


FIG. 1

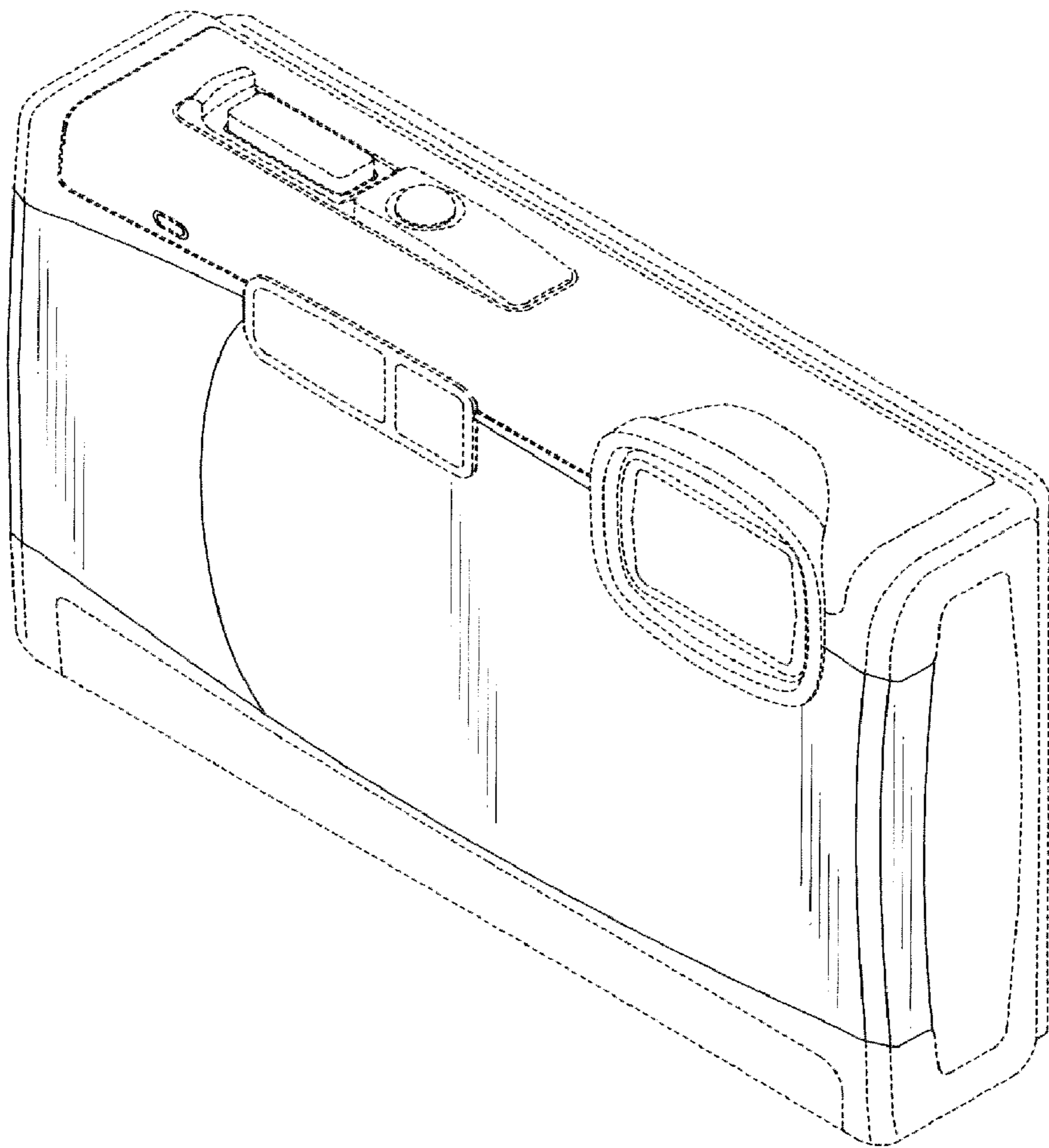


FIG.2

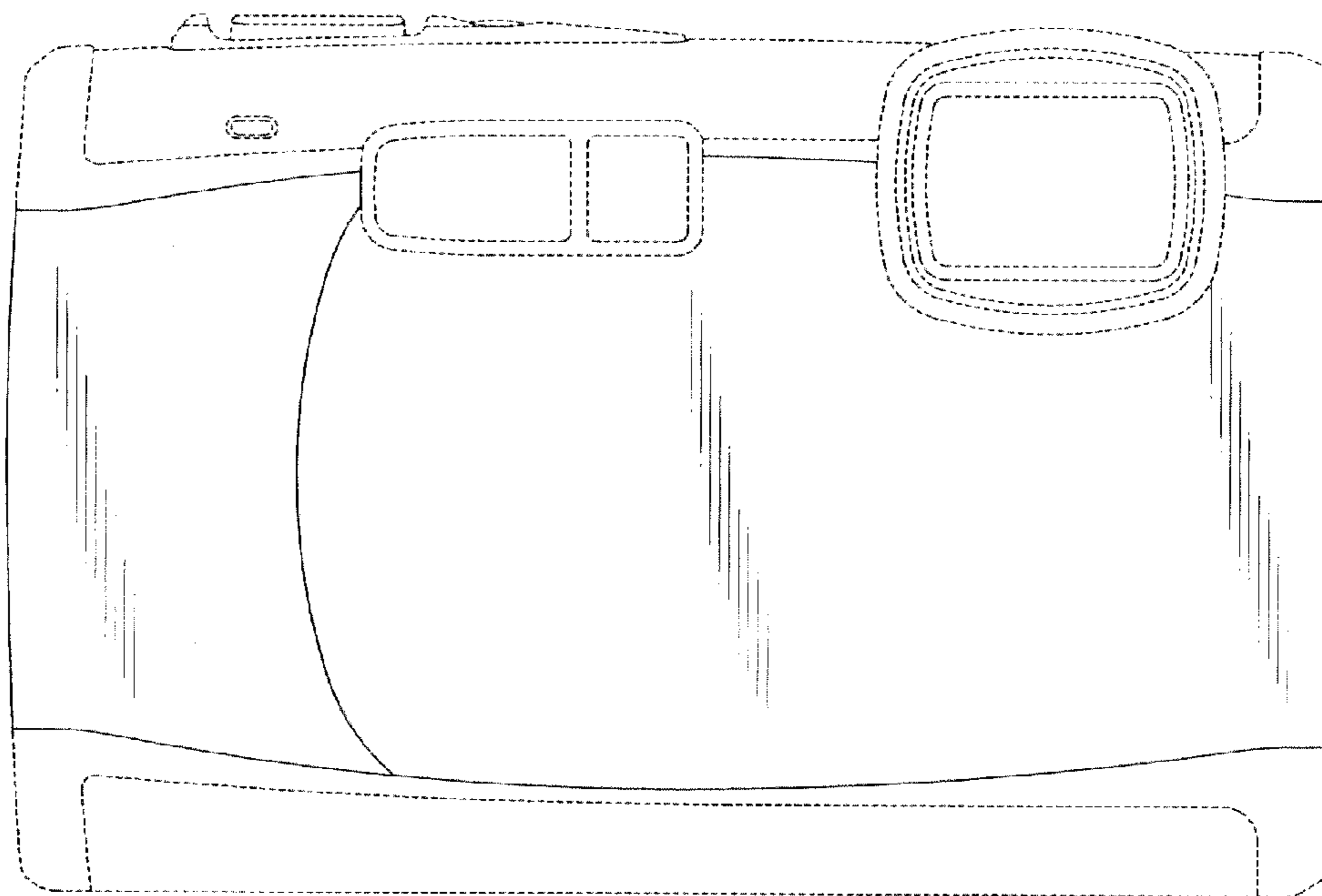


FIG.3

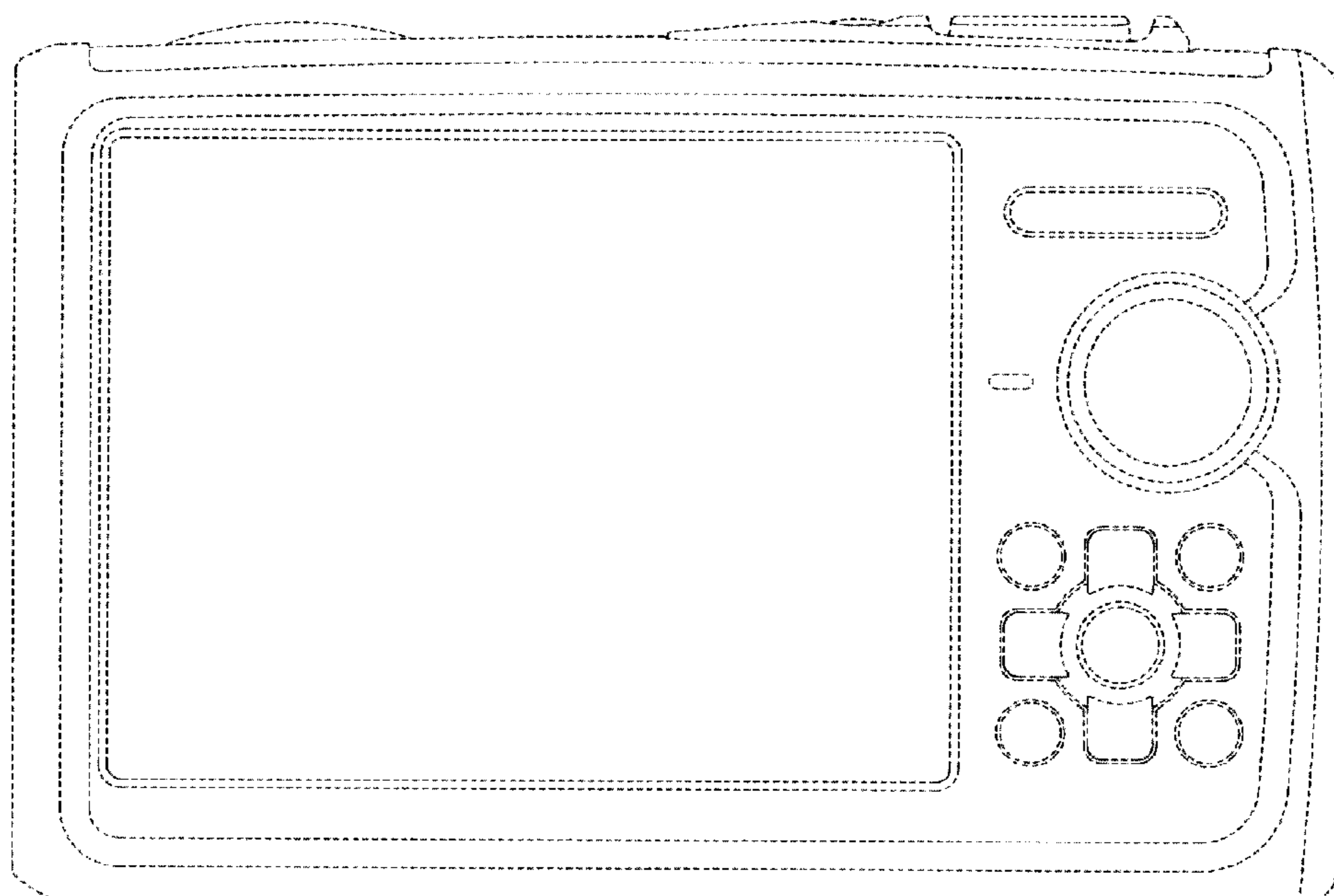


FIG.4

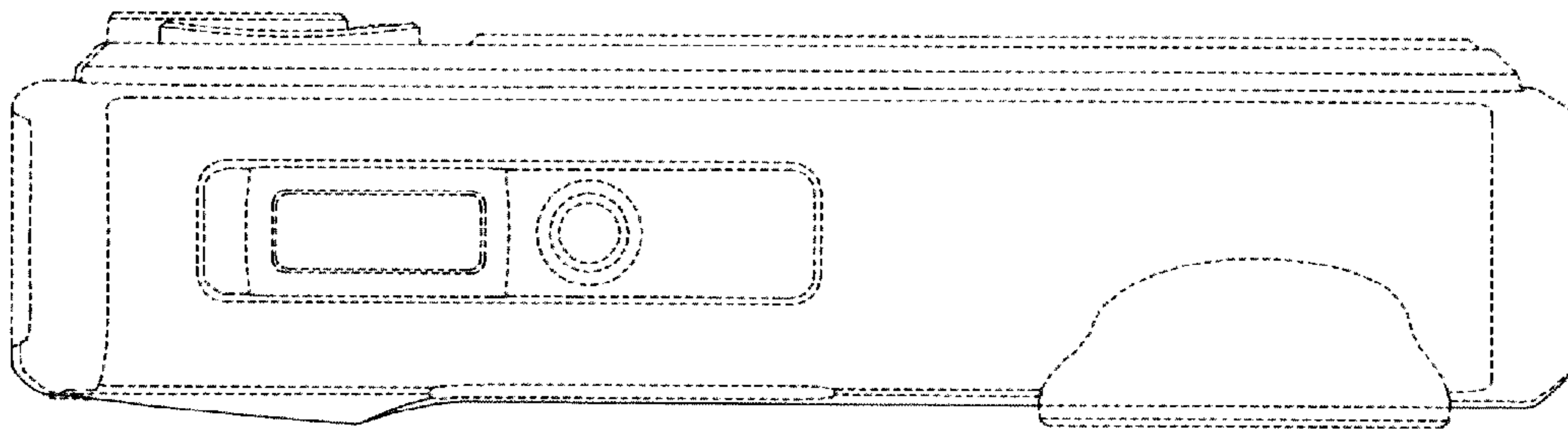


FIG.5

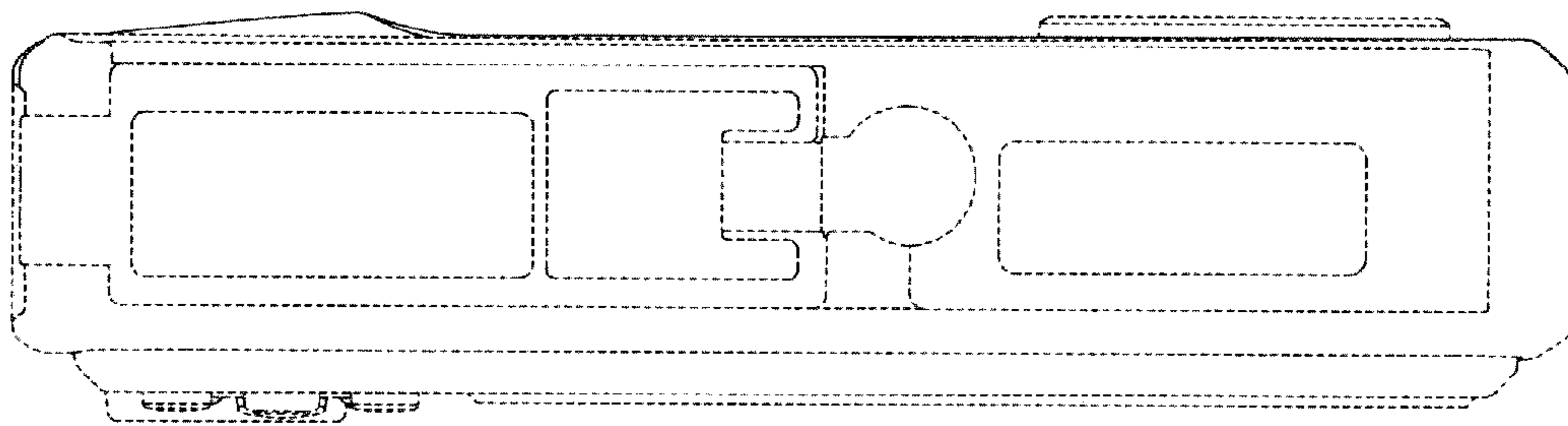


FIG.6

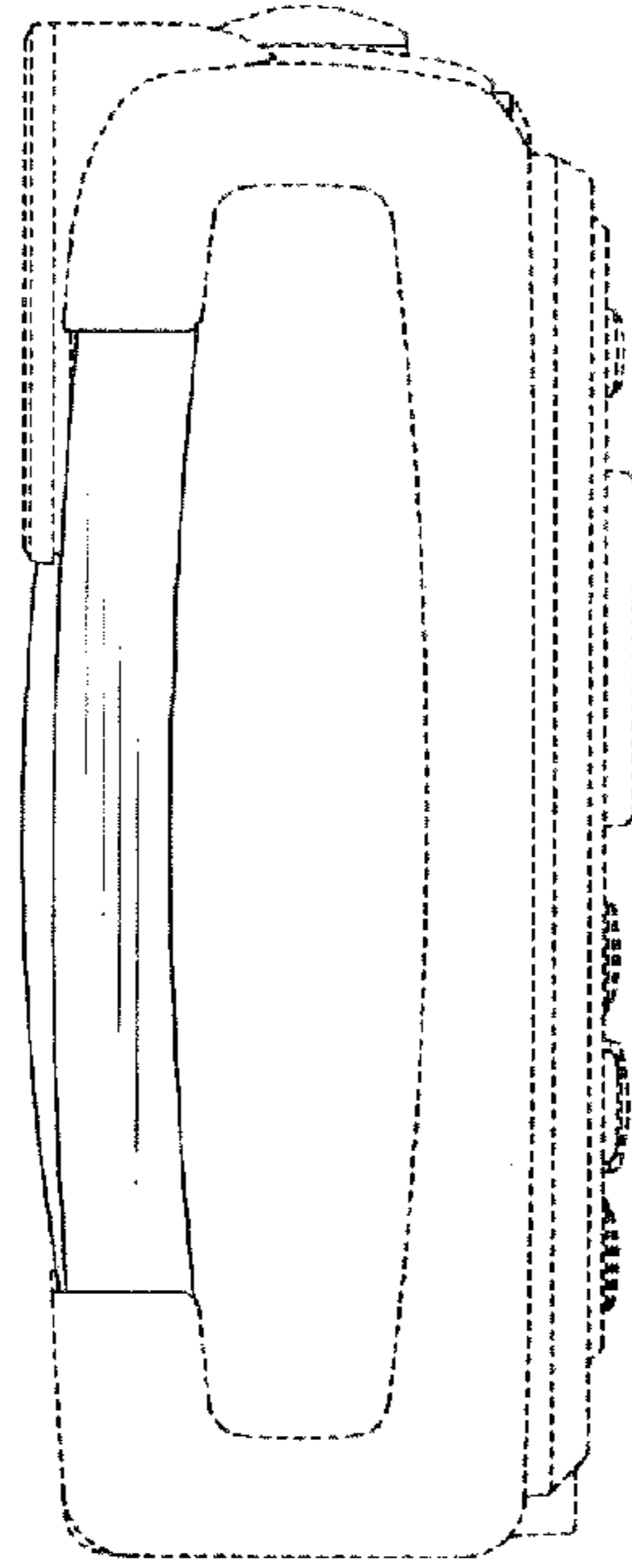


FIG.7

