



US00D611081S

(12) **United States Design Patent**
Kobayashi et al.

(10) **Patent No.:** **US D611,081 S**

(45) **Date of Patent:** **** Mar. 2, 2010**

(54) **INFRARED CAMERA**

(75) Inventors: **Tadashi Kobayashi**, Tokyo (JP); **Toru Yoshiizumi**, Tendo (JP)

(73) Assignees: **Chino Corporation**, Tokyo (JP);
Yamagata Chino Corporation, Yamagata (JP)

(**) Term: **14 Years**

(21) Appl. No.: **29/311,633**

(22) Filed: **May 11, 2009**

(51) **LOC (9) Cl.** **16-01**

(52) **U.S. Cl.** **D16/203; D16/218**

(58) **Field of Classification Search** D16/200–205,
D16/208, 218; 348/164, 373–376; 358/906;
396/535–541

See application file for complete search history.

(56) **References Cited**

U.S. PATENT DOCUMENTS

4,825,302 A * 4/1989 Tezuka et al. 358/906
D441,386 S * 5/2001 Yamazaki D16/203
D490,455 S * 5/2004 Chen D16/202
D496,062 S * 9/2004 Yamakami et al. D16/218

D510,376 S * 10/2005 Yamakami D16/218
D531,157 S * 10/2006 Lheem D14/138 AB
D532,808 S * 11/2006 Vallese et al. D16/202
7,330,649 B2 * 2/2008 Finizio et al. 348/374
2007/0285562 A1 * 12/2007 Raynor 348/373

* cited by examiner

Primary Examiner—Adir Aronovich

(74) *Attorney, Agent, or Firm*—Manabu Kanesaka

(57) **CLAIM**

The ornamental design for an infrared camera, as shown and described.

DESCRIPTION

FIG. 1 is a front elevational view of an infrared camera showing our new design;

FIG. 2 is a rear elevational view thereof;

FIG. 3 is a top plan view thereof;

FIG. 4 is a bottom plan view thereof;

FIG. 5 is a right side elevational view thereof, an undisclosed left side view being a mirror image thereof; and,

FIG. 6 is a sectional view thereof taken along line 6—6 in FIG. 1.

1 Claim, 6 Drawing Sheets

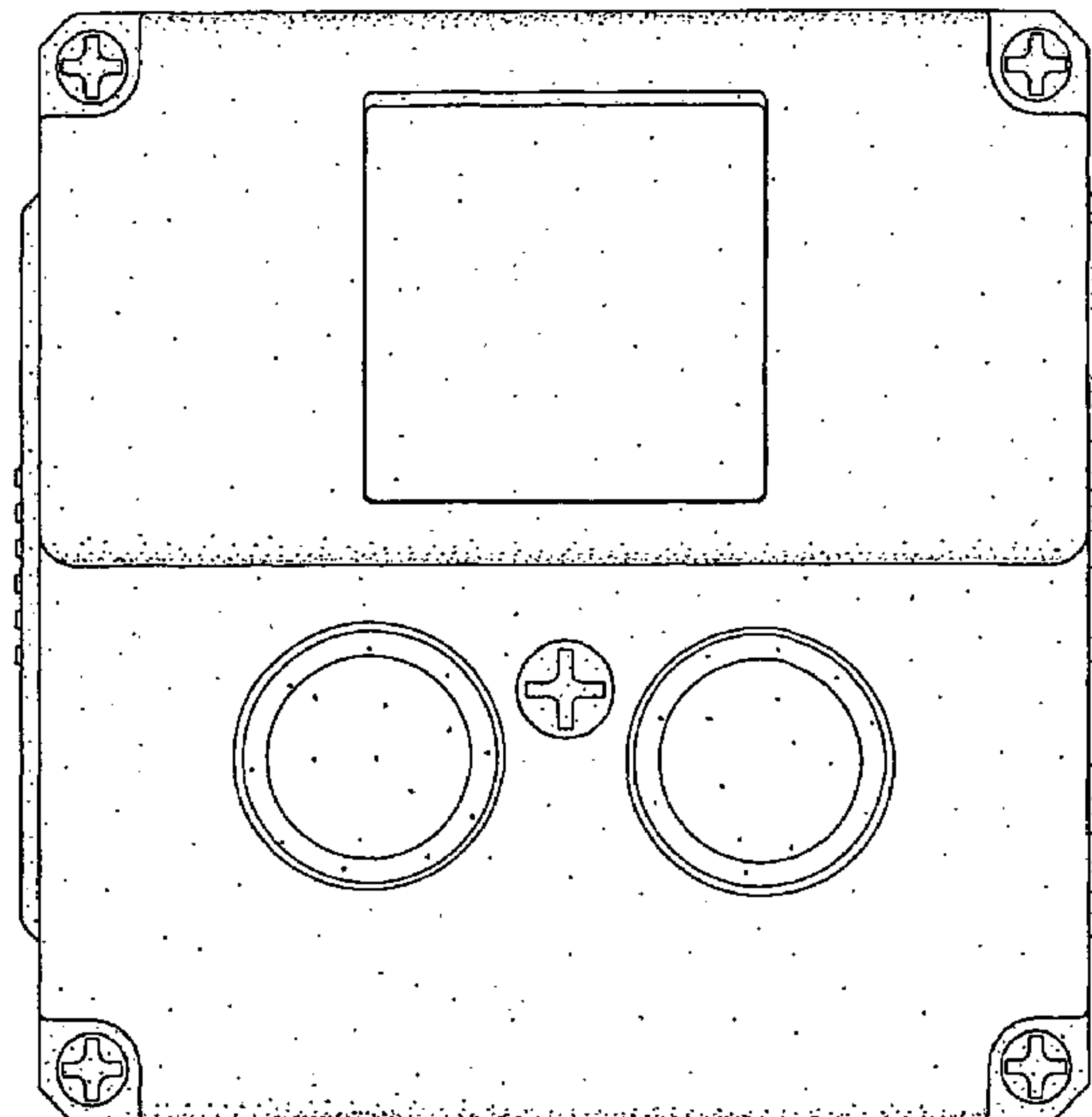
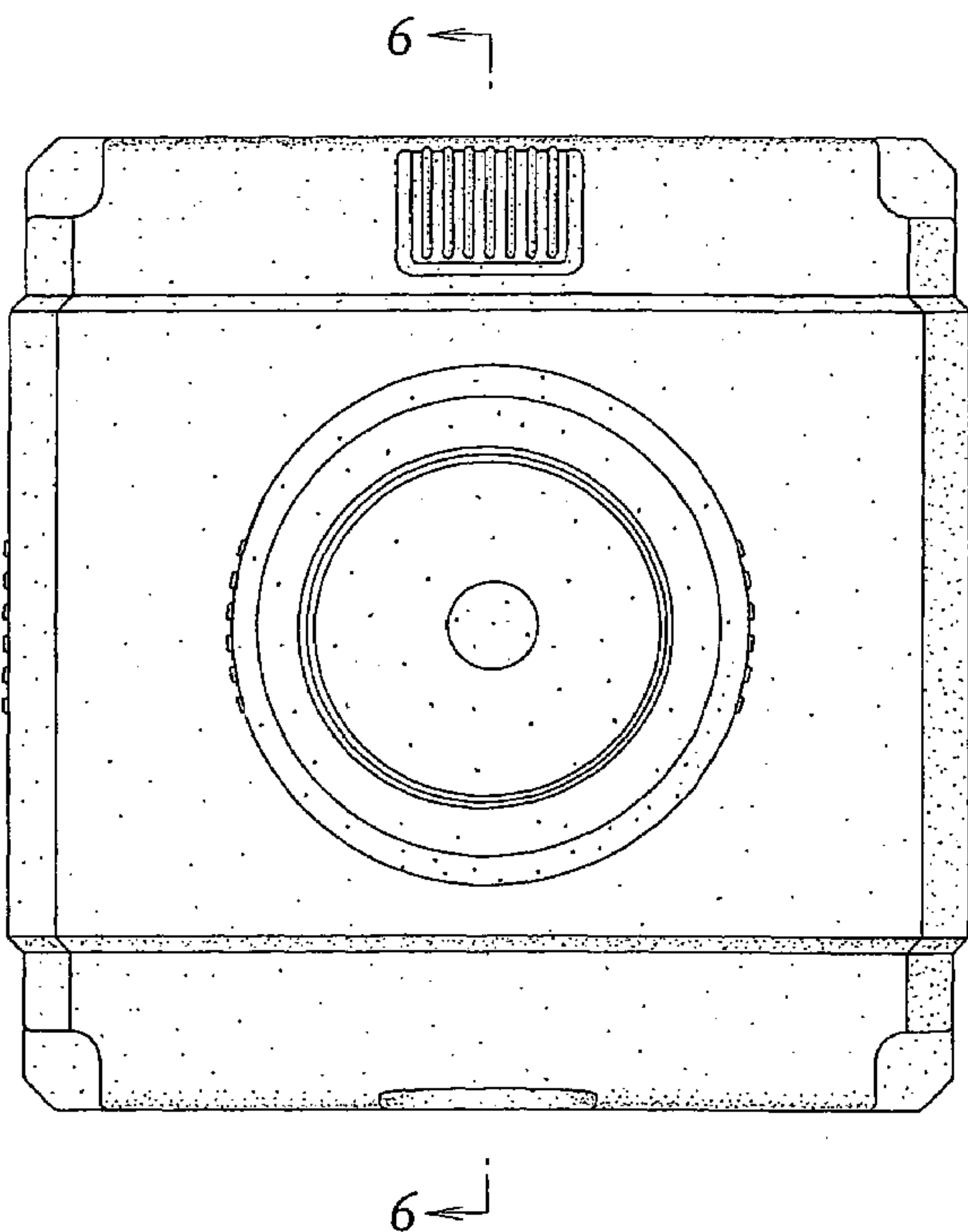


Fig. 1

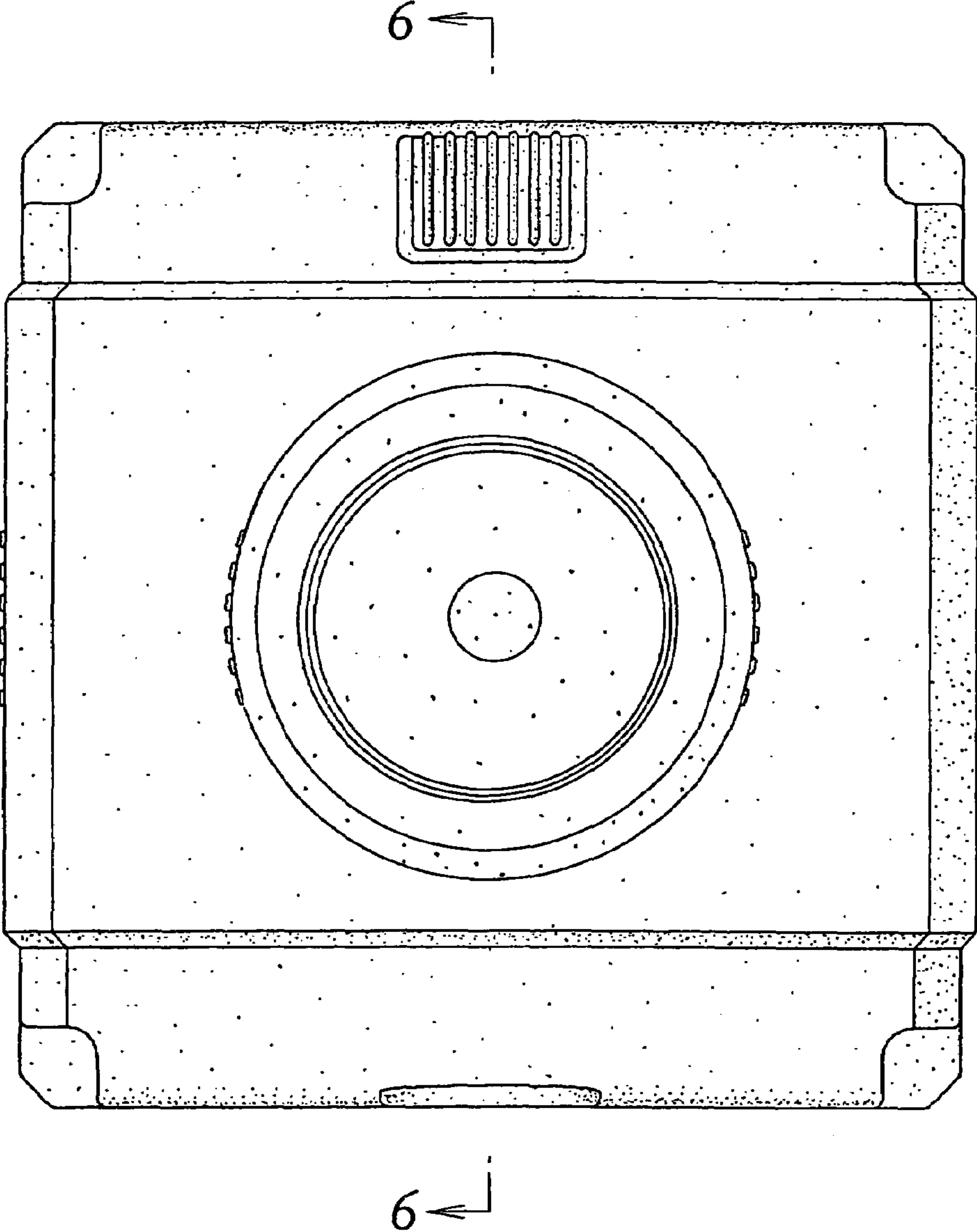


Fig. 2

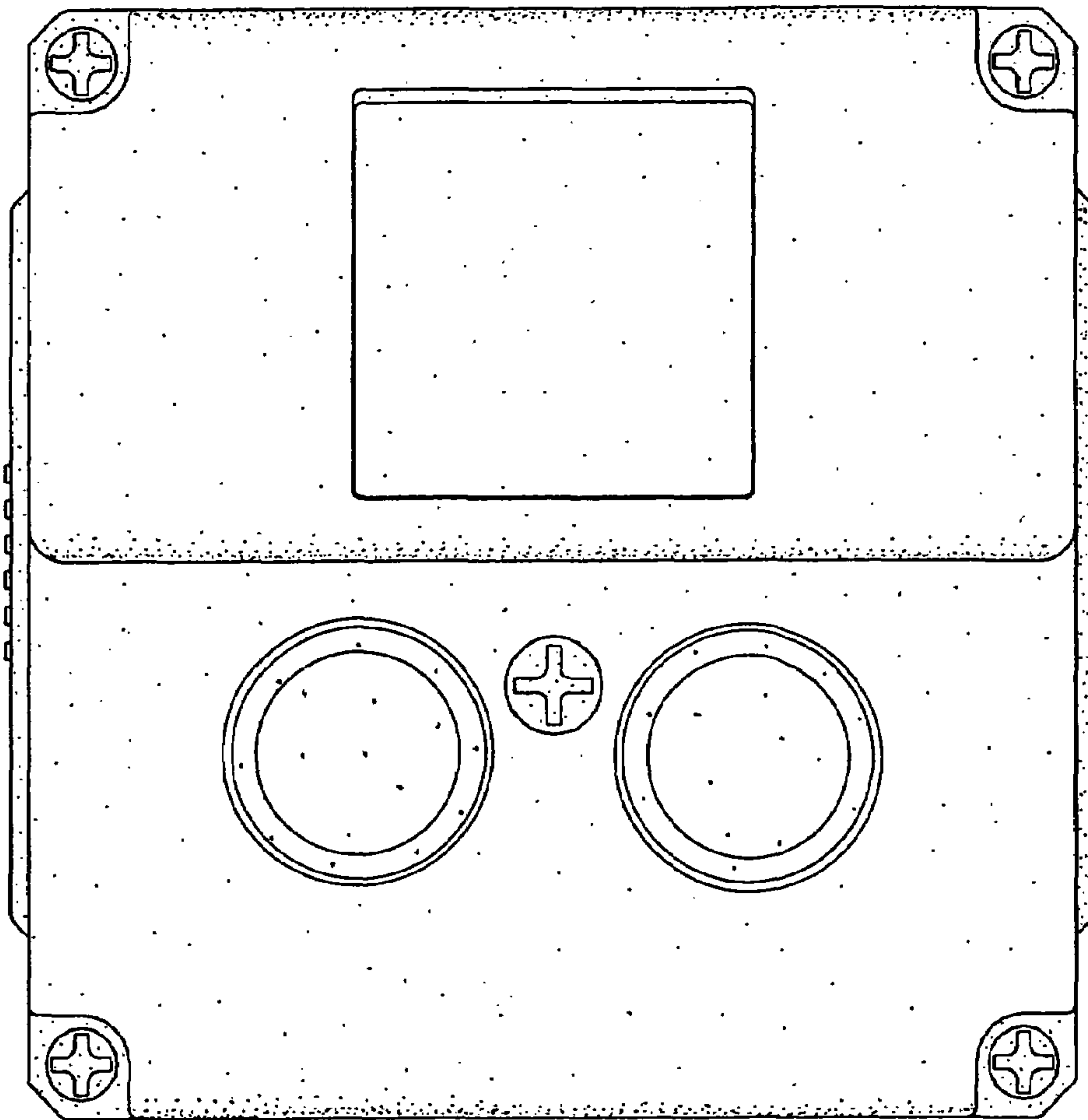


Fig. 3

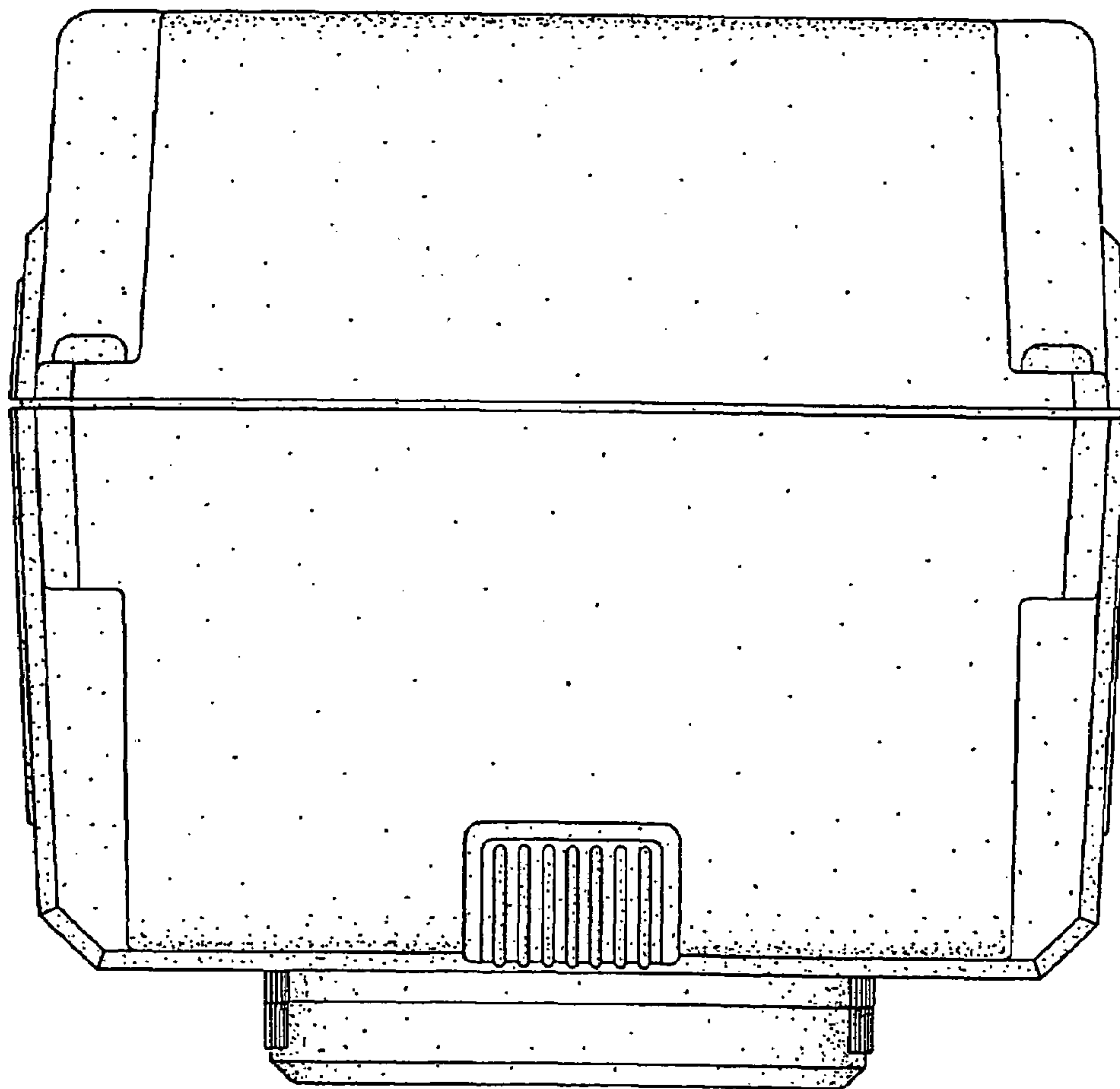


Fig. 4

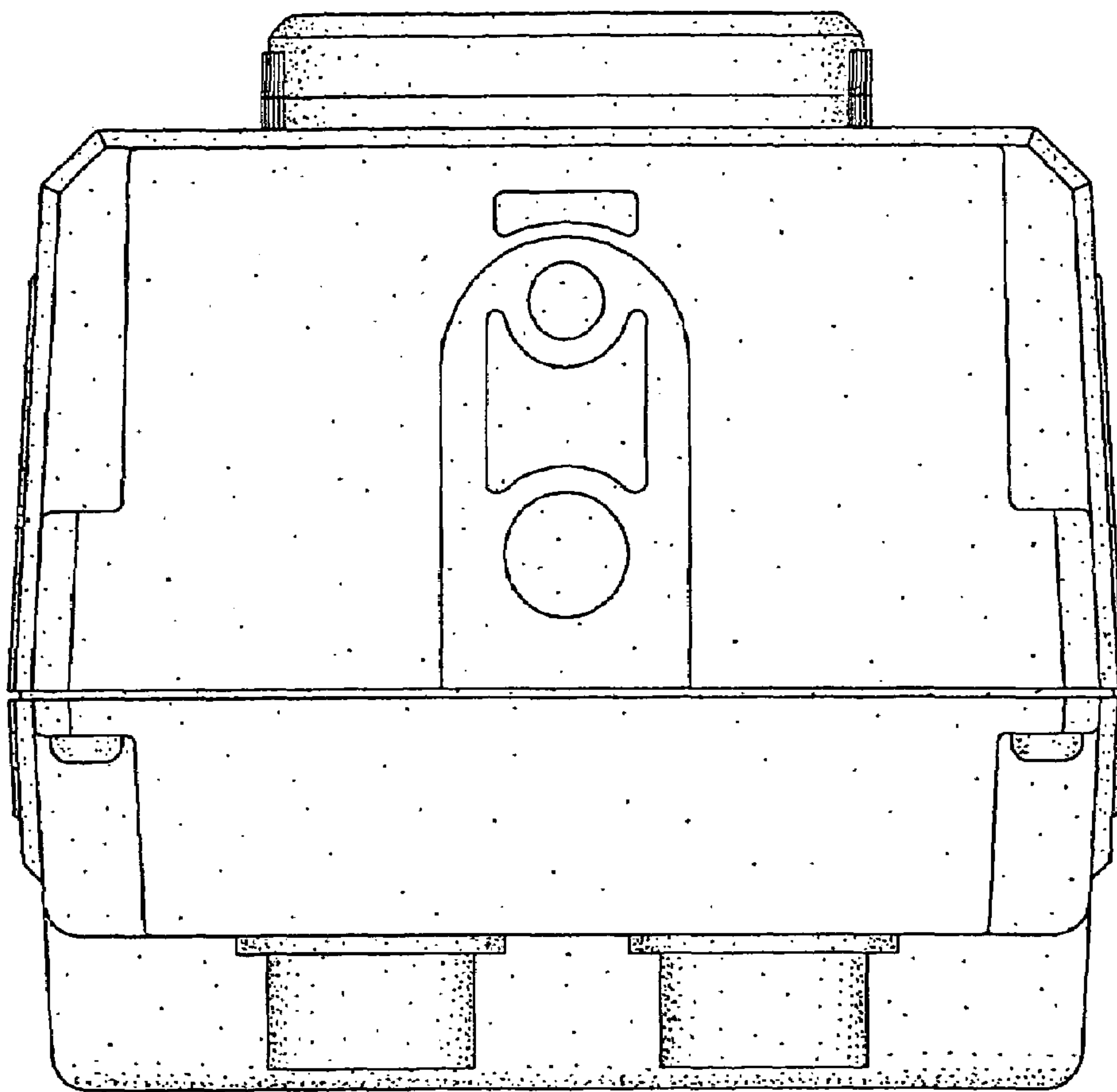


Fig. 5

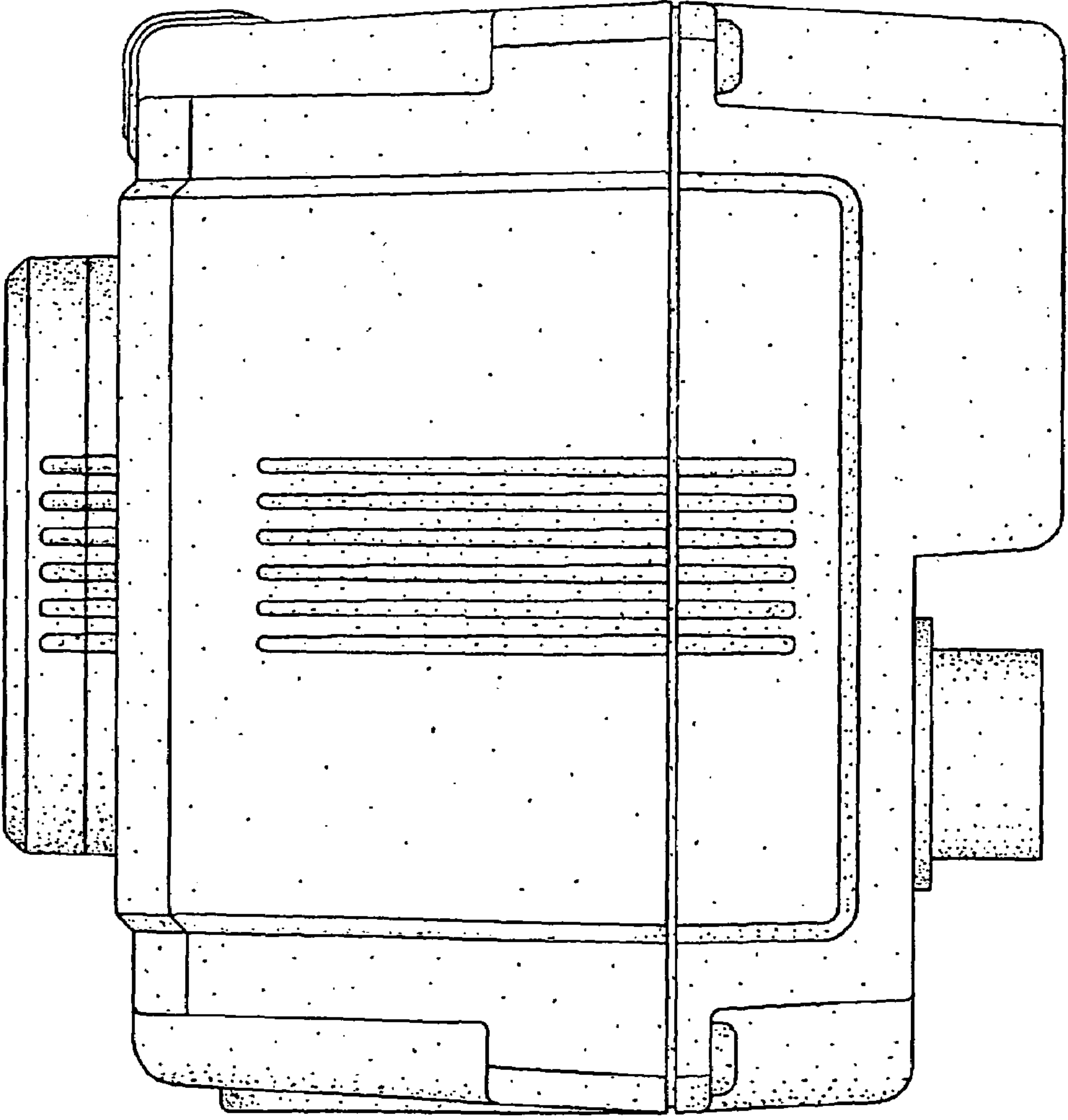


Fig. 6

