



US00D611076S

(12) **United States Design Patent**  
**Yoshida**

(10) **Patent No.:** **US D611,076 S**  
(45) **Date of Patent:** **\*\* Mar. 2, 2010**

(54) **APPARATUS FOR REPAIRING PUNCTURED TIRES**

2004/0221439 A1\* 11/2004 Villarreal ..... 29/407.08  
2008/0029181 A1\* 2/2008 Marini ..... 141/38

(75) Inventor: **Masaki Yoshida**, Tokyo (JP)

(73) Assignee: **Bridgestone Corporation**, Tokyo (JP)

(\*\*) Term: **14 Years**

(21) Appl. No.: **29/336,843**

(22) Filed: **May 11, 2009**

**Related U.S. Application Data**

(63) Continuation-in-part of application No. 29/324,075, filed on Sep. 5, 2008.

**Foreign Application Priority Data**

(30) Mar. 6, 2008 (JP) ..... 2008-005619

(51) **LOC (9) Cl.** ..... **15-99**

(52) **U.S. Cl.** ..... **D15/199**

(58) **Field of Classification Search** ..... D8/105,  
D8/499; D15/199; 141/38, 67, 100; 152/415  
See application file for complete search history.

(56) **References Cited**

**U.S. PATENT DOCUMENTS**

4,284,451	A *	8/1981	Conley	.....	156/97
6,283,172	B1 *	9/2001	Thurner	.....	141/38
6,345,650	B1 *	2/2002	Paasch et al.	.....	141/5
6,789,581	B2 *	9/2004	Cowan et al.	.....	141/38
D509,838	S *	9/2005	Wong	.....	D15/199
D544,895	S *	6/2007	Izumoto et al.	.....	D15/199
D557,299	S *	12/2007	Marini et al.	.....	D15/199
D574,866	S *	8/2008	Yoshida	.....	D15/199
2004/0159365	A1 *	8/2004	Cowan et al.	.....	141/38

**FOREIGN PATENT DOCUMENTS**

EM	000998869-0001	9/2008
JP	D1292474 S	1/2007
JP	D1292475 S	1/2007
JP	D1292476 S	1/2007
JP	D1292615 S	1/2007
JP	D1317632 S	12/2007
JP	D1317640 S	12/2007

\* cited by examiner

*Primary Examiner*—Sandra Snapp

*Assistant Examiner*—Patricia Palasik

(74) *Attorney, Agent, or Firm*—Sughrue Mion, PLLC

(57) **CLAIM**

The ornamental design for an apparatus for repairing punctured tires, as shown and described.

**DESCRIPTION**

FIG. 1 is a front perspective view of an apparatus for repairing punctured tires.

FIG. 2 is a rear perspective view thereof.

FIG. 3 is a front elevation view thereof.

FIG. 4 is a rear elevation view thereof.

FIG. 5 is a top plan view thereof.

FIG. 6 is a bottom plan view thereof.

FIG. 7 is a left side elevation view thereof; and,

FIG. 8 is a right side elevation view thereof.

The broken lines in the drawings depict unclaimed environmental subject matter.

**1 Claim, 8 Drawing Sheets**

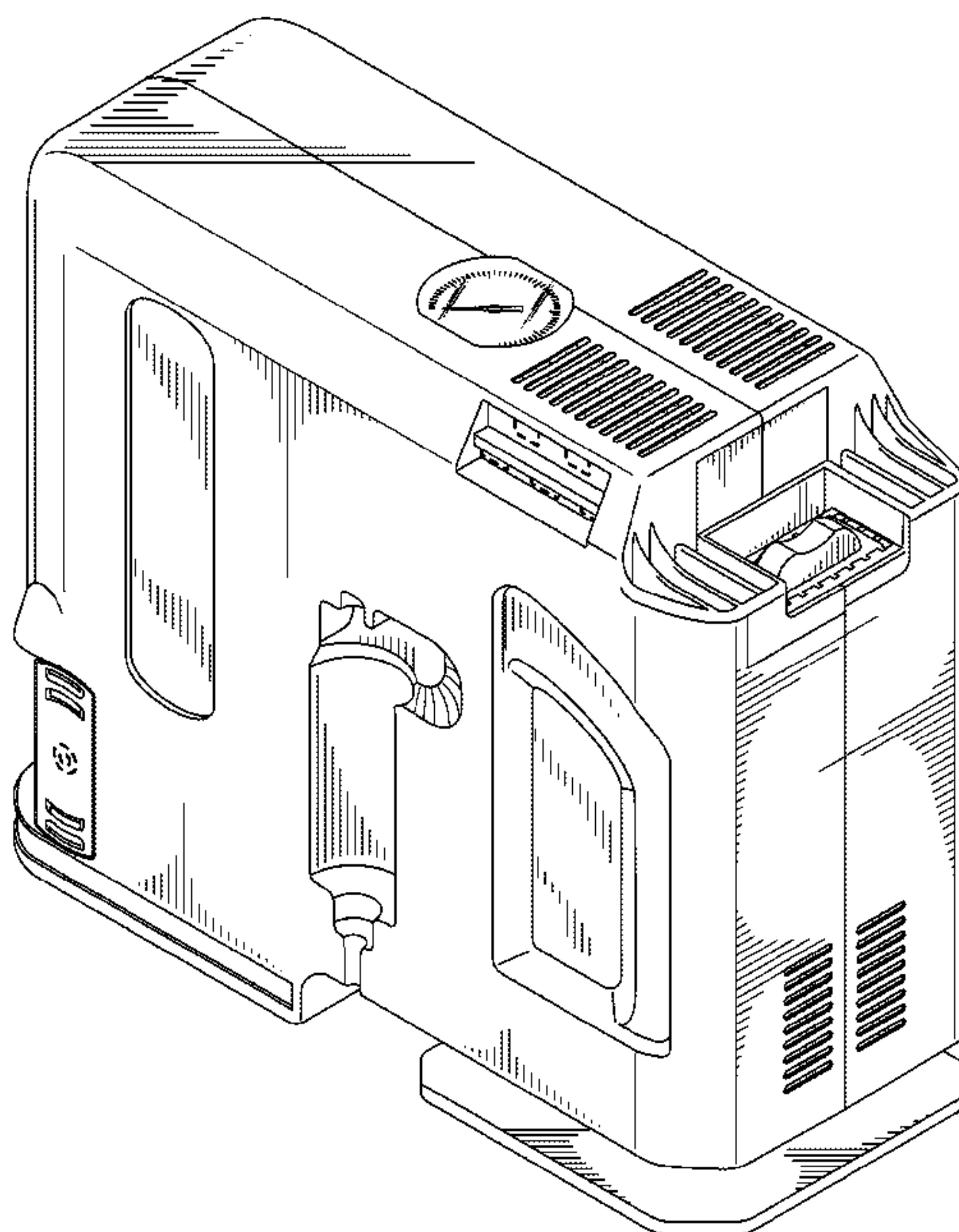


FIG. 1

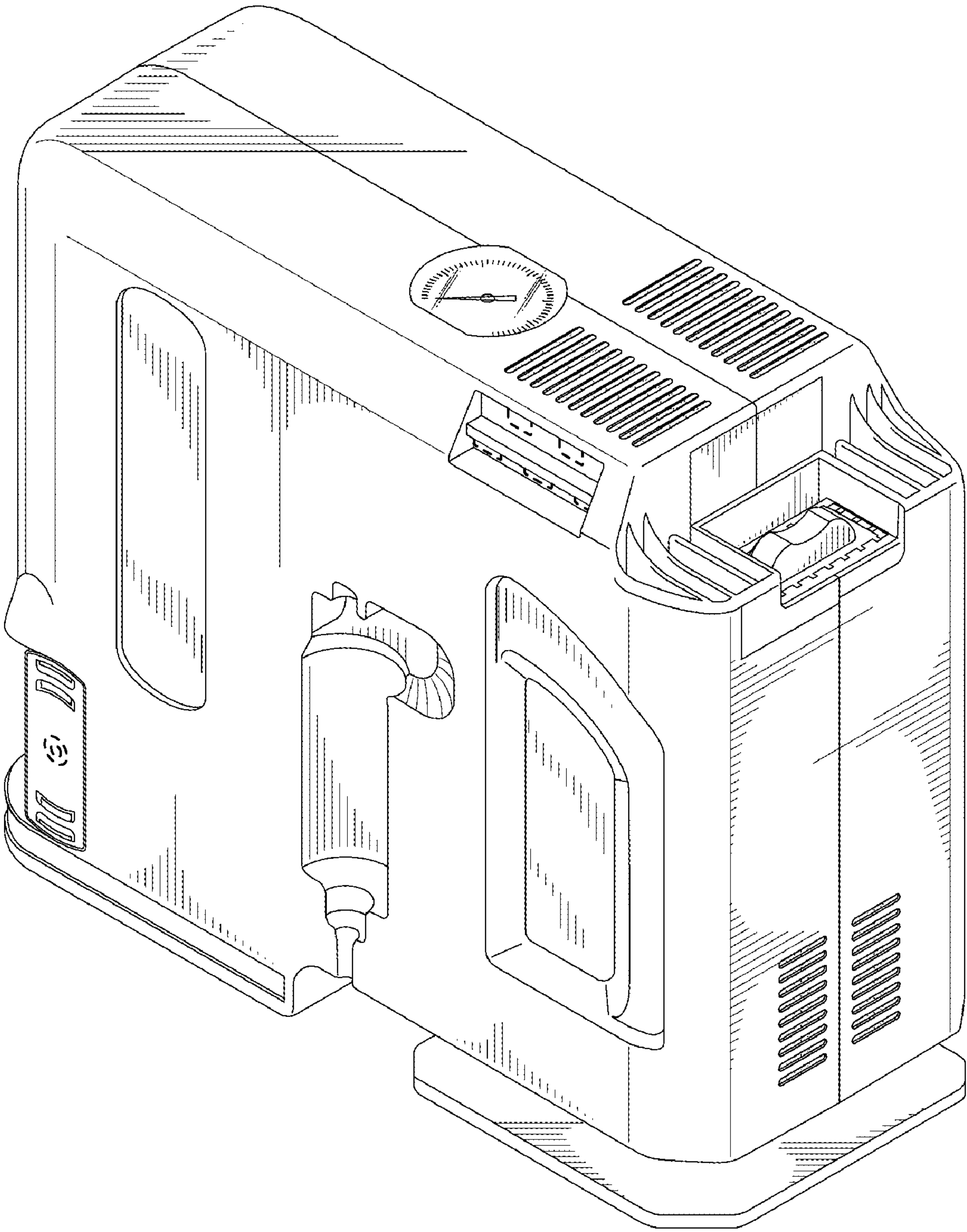


FIG. 2

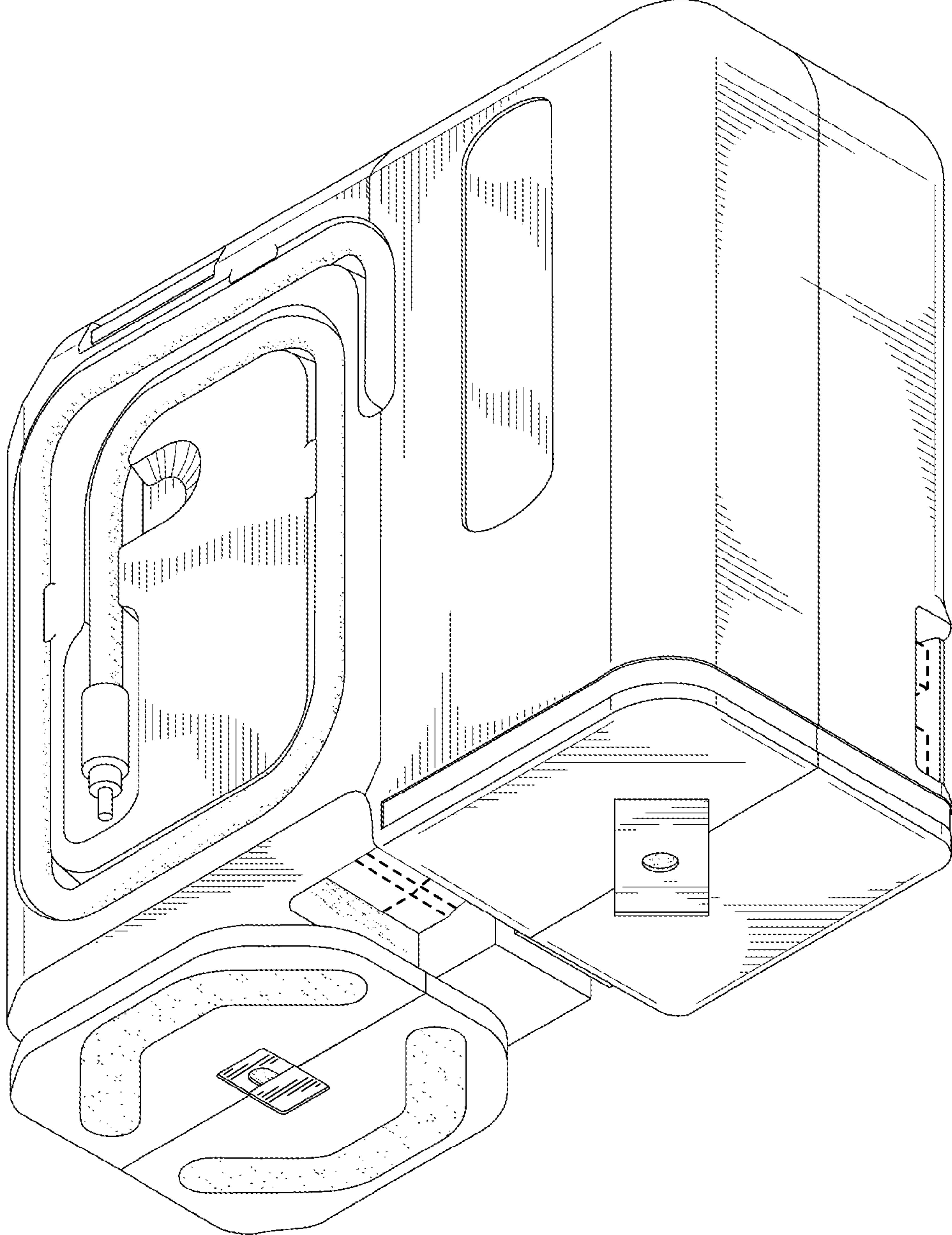




FIG. 3

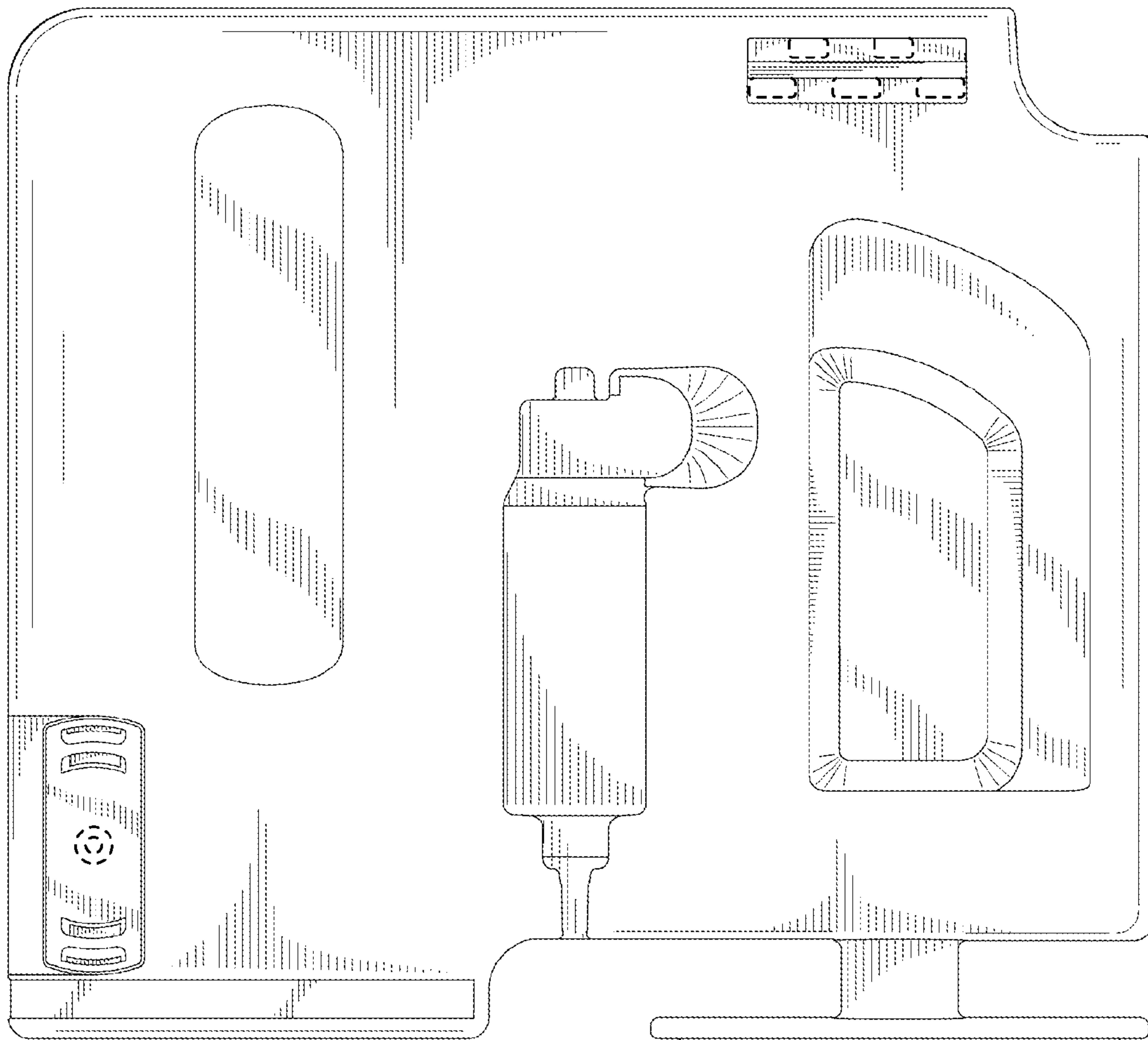


FIG. 4

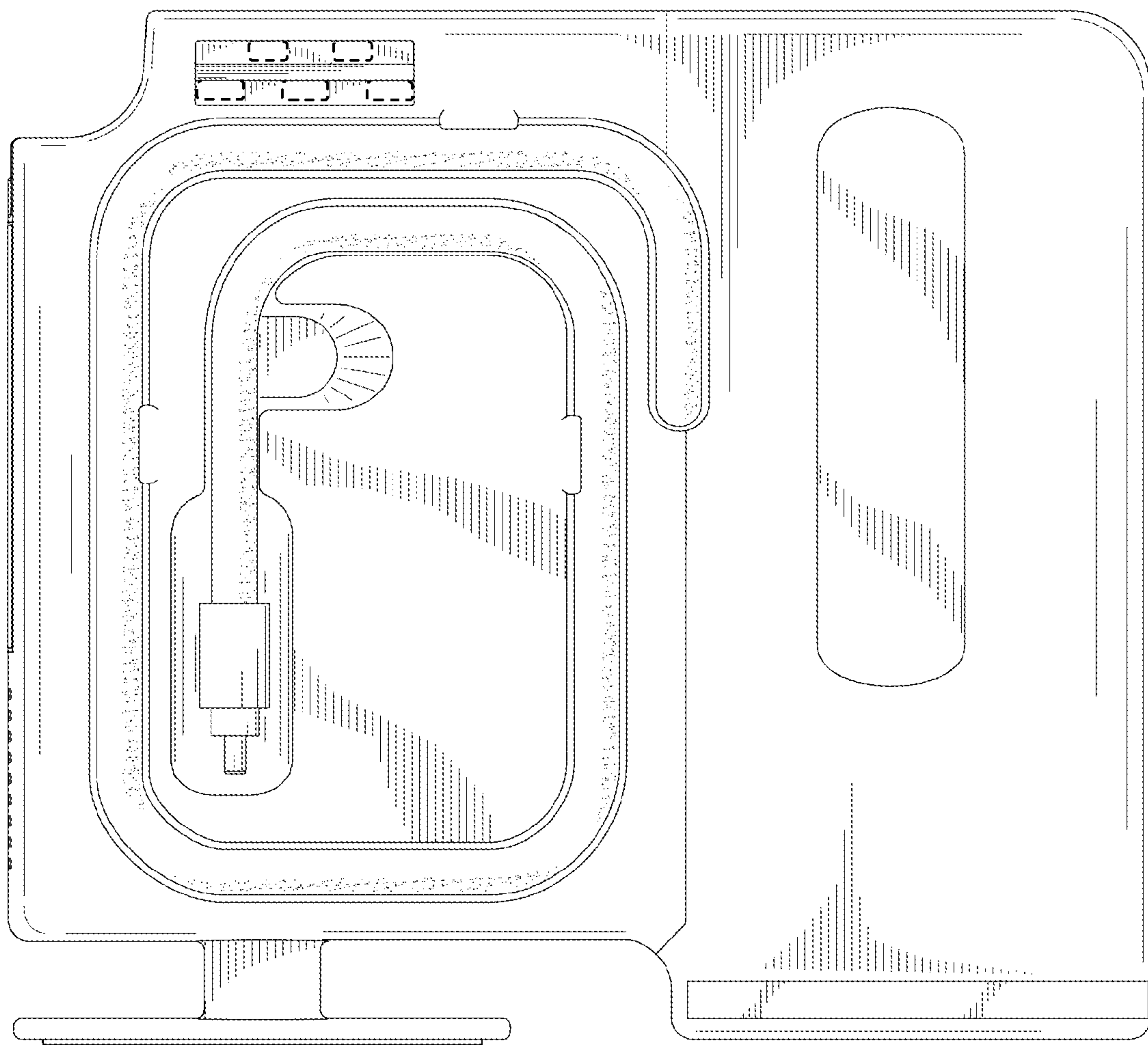


FIG. 5

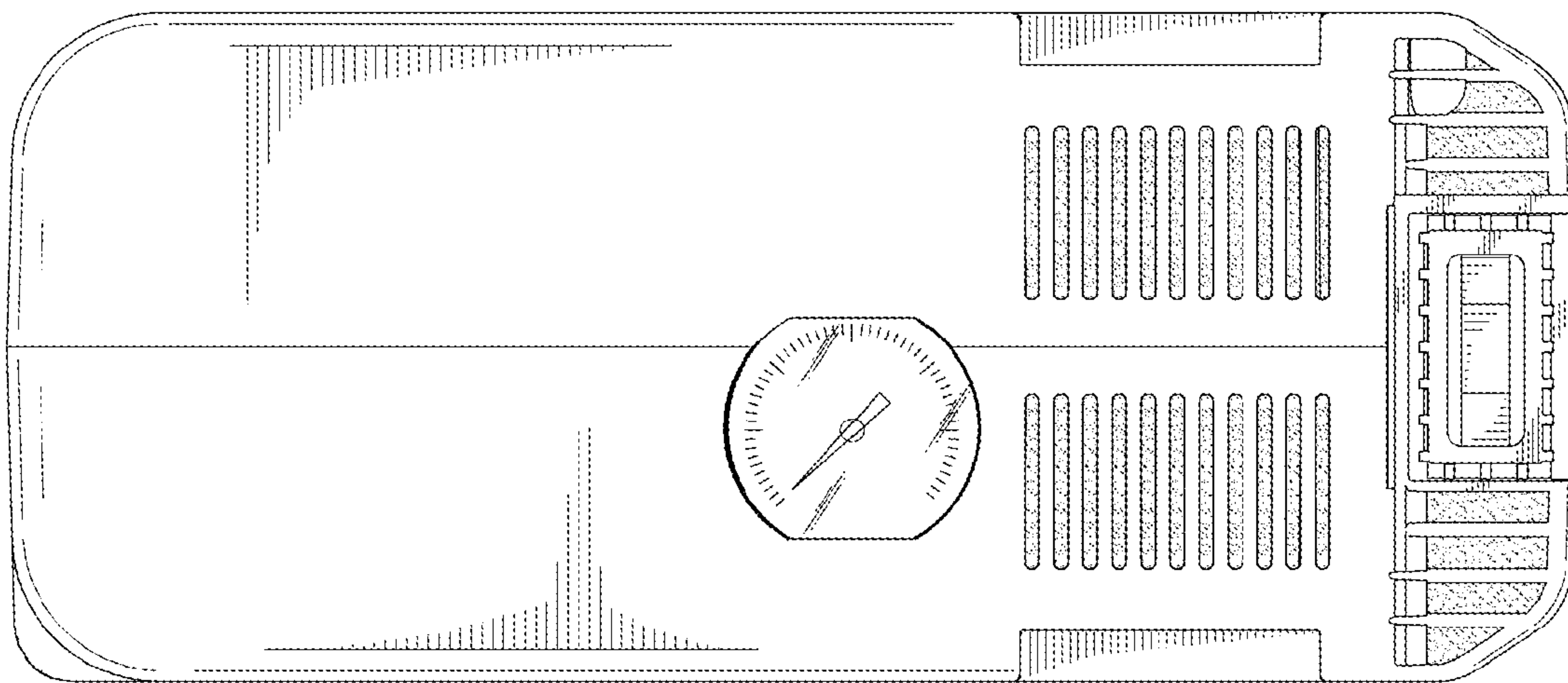


FIG. 6

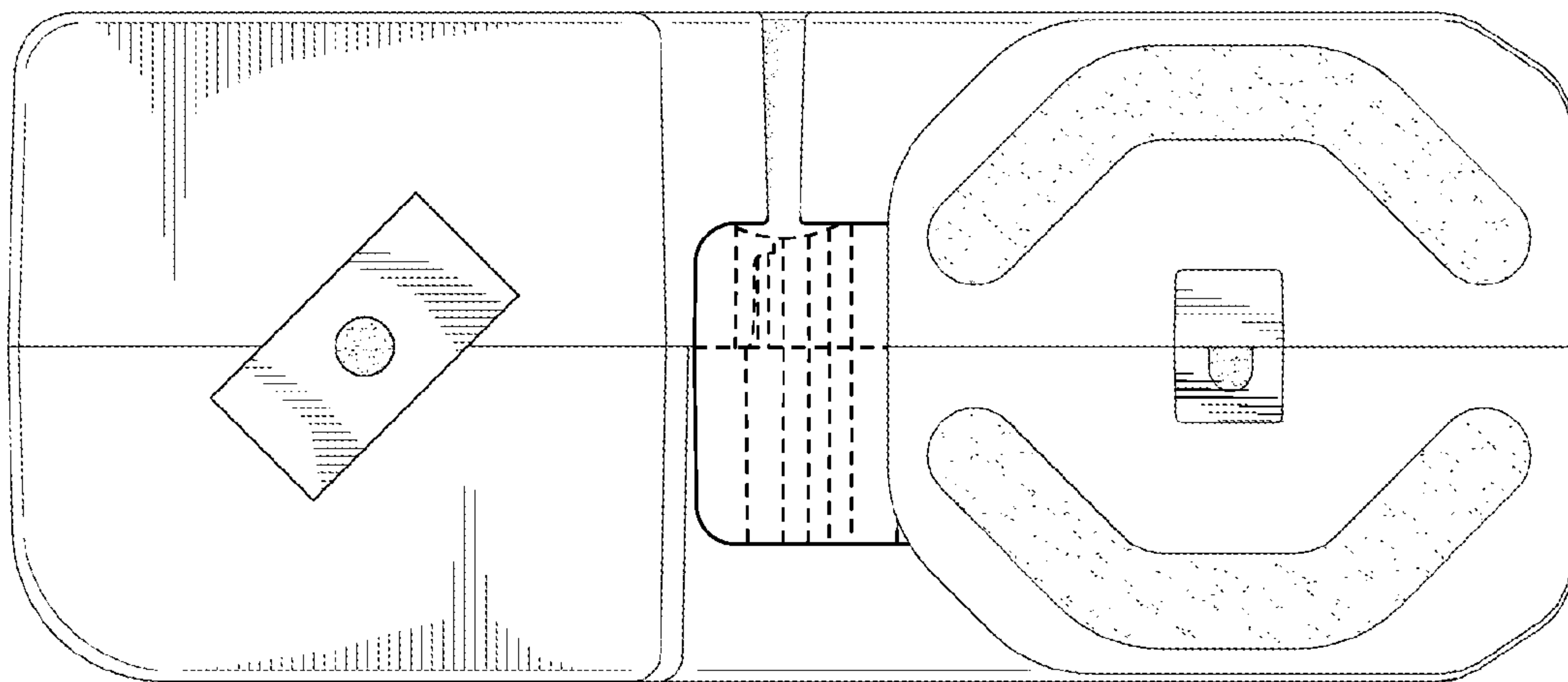


FIG. 7

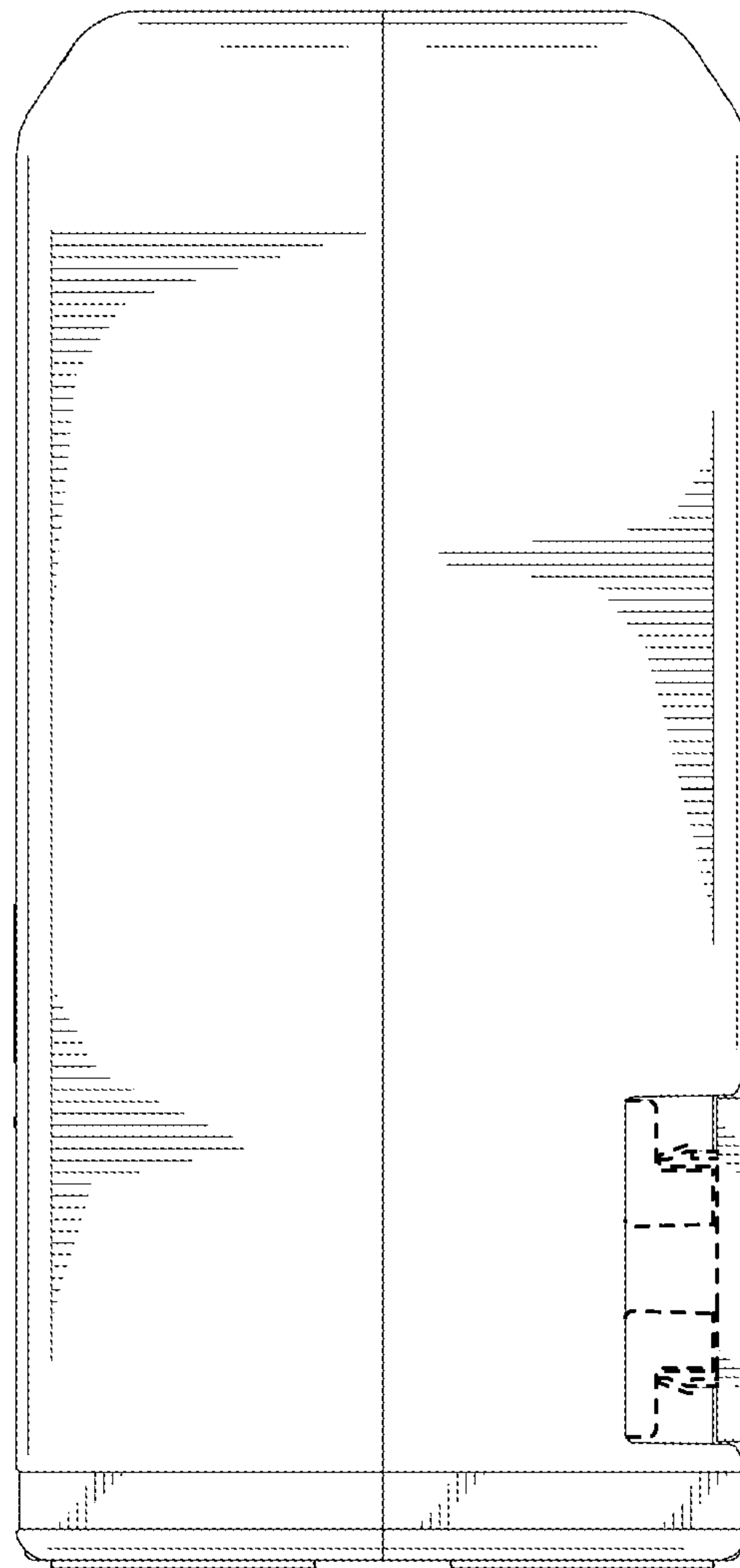




FIG. 8

