



US00D611074S

(12) **United States Design Patent**
Bashore et al.

(10) **Patent No.:** **US D611,074 S**
(45) **Date of Patent:** **** Mar. 2, 2010**

(54) **PORTABLE BATTERY POWERED WELDER**

(75) Inventors: **Brian S. Bashore**, Tipp City, OH (US);
Darrell L. Sickels, Troy, OH (US);
Bernard J. Vogel, Troy, OH (US); **Caleb R. Krisher**, Appleton, WI (US)

(73) Assignee: **Illinois Tool Works Inc.**, Glenview, IL (US)

(**) Term: **14 Years**

(21) Appl. No.: **29/284,167**

(22) Filed: **Aug. 31, 2007**

(51) **LOC (9) Cl.** **15-09**

(52) **U.S. Cl.** **D15/144**

(58) **Field of Classification Search** D3/272,
D3/273, 276, 279, 281, 282, 295, 905; D15/144,
D15/144.1, 144.2; 174/50.56, 50.59; 219/130,
219/131, 132, 133; 290/1 A; 336/182, 195,
336/212, 214; 361/220

See application file for complete search history.

(56) **References Cited**

U.S. PATENT DOCUMENTS

- D148,188 S * 12/1947 Robert D3/272
- 4,465,920 A * 8/1984 Hoyt et al. 219/133
- D294,080 S * 2/1988 Golia et al. D3/272
- 4,815,596 A * 3/1989 Reid 206/719
- D333,484 S * 2/1993 Neumeister D18/52
- D337,657 S * 7/1993 March et al. D3/272
- D342,159 S * 12/1993 Daouk D3/272
- D357,263 S * 4/1995 Soderholm D15/144.2
- D386,148 S * 11/1997 Katooka et al. D13/110
- 5,734,148 A * 3/1998 Latvis et al. 219/133
- D415,614 S * 10/1999 Akaike et al. D3/276
- D416,030 S * 11/1999 Weller et al. D15/144.1
- 6,225,596 B1 5/2001 Chandler et al.
- D454,578 S * 3/2002 Armbruster et al. D15/144
- D462,519 S * 9/2002 Gaydos et al. D3/276
- D467,257 S * 12/2002 Andersson et al. D15/144
- D467,425 S * 12/2002 Hardigg et al. D3/279
- D472,384 S * 4/2003 Richardson D3/273

- 6,888,099 B1 5/2005 Schneider
- D520,237 S * 5/2006 Cheng D3/276
- D523,242 S * 6/2006 Hardigg et al. D3/276
- 2005/0212299 A1* 9/2005 Wang 290/1 A
- 2006/0027547 A1* 2/2006 Silvestro 219/133
- 2006/0076335 A1 4/2006 Reynolds et al.
- 2007/0108174 A1 5/2007 Narayanan et al.
- 2008/0047522 A1* 2/2008 Leisner et al. 123/198 D
- 2009/0057285 A1 3/2009 Bashore et al.

OTHER PUBLICATIONS

- www.millerwelds.com/pdf/MMMBG.pdf Millermatic Passport. p. 16 2007.*
- Miller Electric Mfg Co.; Millermatic 140; www.MillerWelds.com; Issued Sep. 2006, Index No. DC/12.43.
- Miller Electric Mfg Co.; SuitCase 8RC and 12RC; www.MillerWelds.com; Issued Jan. 2007, Index No. M/6.5.
- Miller Electric Mfg Co.; Millermatic Passport; www.MillerWelds.com; Issued Feb. 2007, Index No. DC/12.53.
- Glenn R “Broco Inc.’s GOWELDO; Portable Mig Welder” Jul. 1, 2003. Internet document downloaded from http://www.off-road.com/ on Sep. 23, 2008. Paragraph 4, Photographs 1, 2, 3.
- Millermatic Passport and M-10 Gun; Owner’s Manual; OM-1328 220 073U; Miller.
- Millermatic Passport and M-10 Gun; Owner’s Manual; OM-1328 220 073L; Miller.

* cited by examiner

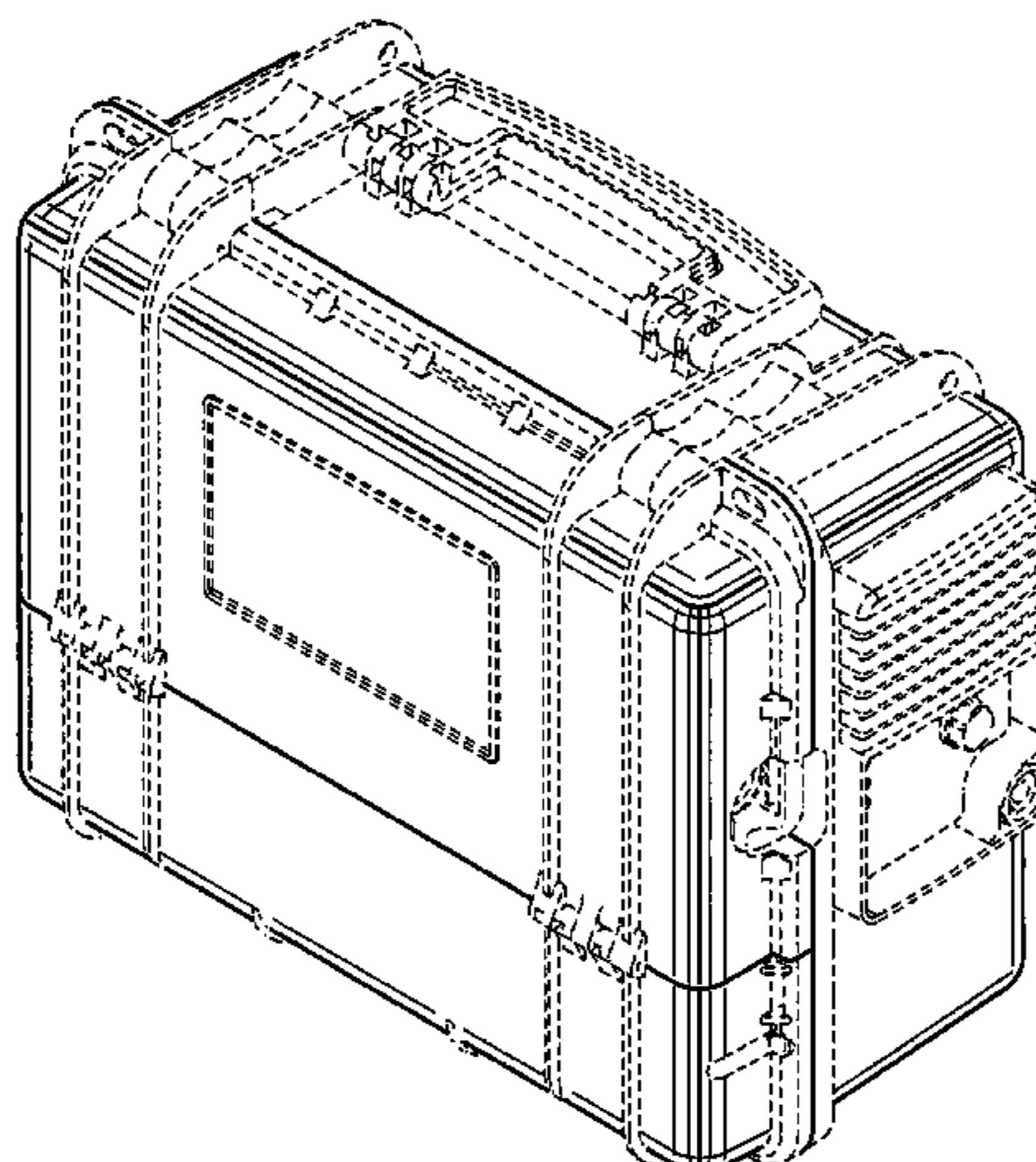
Primary Examiner—Sandra Snapp
Assistant Examiner—Patricia Palasik
(74) *Attorney, Agent, or Firm*—Fletcher Yoder

(57) **CLAIM**

The ornamental design for a portable battery powered welder, as shown and described.

DESCRIPTION

FIG. 1 is a perspective view of the design for the portable battery powered welder illustrating a removable door and a detachable cover coupled to a body of the portable battery powered welder, wherein broken lines illustrate environmental features including a carry handle, a pair of hinges and a pair of latches coupling the removable door to the body, a



fastening system coupling the detachable cover to the body, a control panel, a front louver, support ridges, and a wire feed outlet;

FIG. 2 is a front elevational view of the design for the portable battery powered welder as illustrated in FIG. 1;

FIG. 3 is a right side elevational view of the design for the portable battery powered welder as illustrated in FIG. 1;

FIG. 4 is a left side elevational view of the design for the portable battery powered welder as illustrated in FIG. 1, wherein broken lines illustrate environmental features including a rear louver, a power switch, and an electrical plug interface;

FIG. 5 is a top plan view of the design for the portable battery powered welder as illustrated in FIG. 1;

FIG. 6 is a bottom plan view of the design for the portable battery powered welder as illustrated in FIG. 1;

FIG. 7 is a rear elevational view of the design for the portable battery powered welder as illustrated in FIG. 1;

FIG. 8 is a perspective view of the design for the portable battery powered welder as illustrated in FIG. 1, illustrating the removable door rotated away from the body to an open position to reveal an internal compartment having a wire feeder region in the body, wherein broken lines illustrate

environmental features including a wire feeder mechanism and a wire spool mount disposed in the wire feeder region;

FIG. 9 is a front elevational view of the design for the portable battery powered welder as illustrated in FIG. 8;

FIG. 10 is a right side elevational view of the design for the portable battery powered welder as illustrated in FIG. 8;

FIG. 11 is a top plan view of the design for the portable battery powered welder as illustrated in FIG. 8; and,

FIG. 12 is a perspective view of the design for the portable battery powered welder as illustrated in FIGS. 1 and 8, wherein the removable door is removed and not shown for clarity, and the detachable cover is removed from the body to reveal another internal compartment including a battery storage region, and broken lines illustrate environmental features including a first battery and a second battery disposed in the battery storage region.

In these drawings, the solid lines illustrate the claimed ornamental design, whereas the broken lines illustrate environmental features that form no part of the claimed ornamental design.

1 Claim, 12 Drawing Sheets

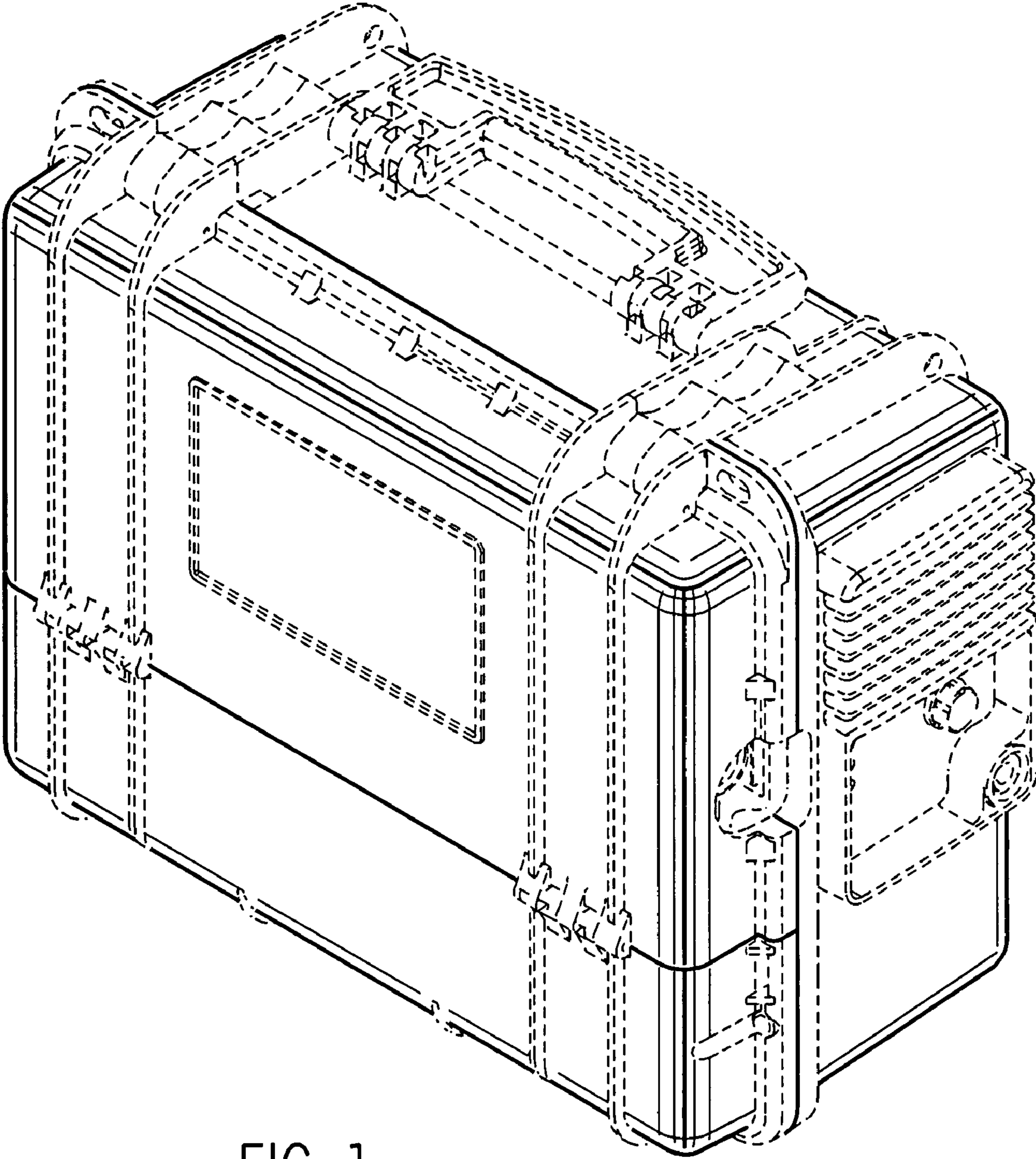


FIG. 1

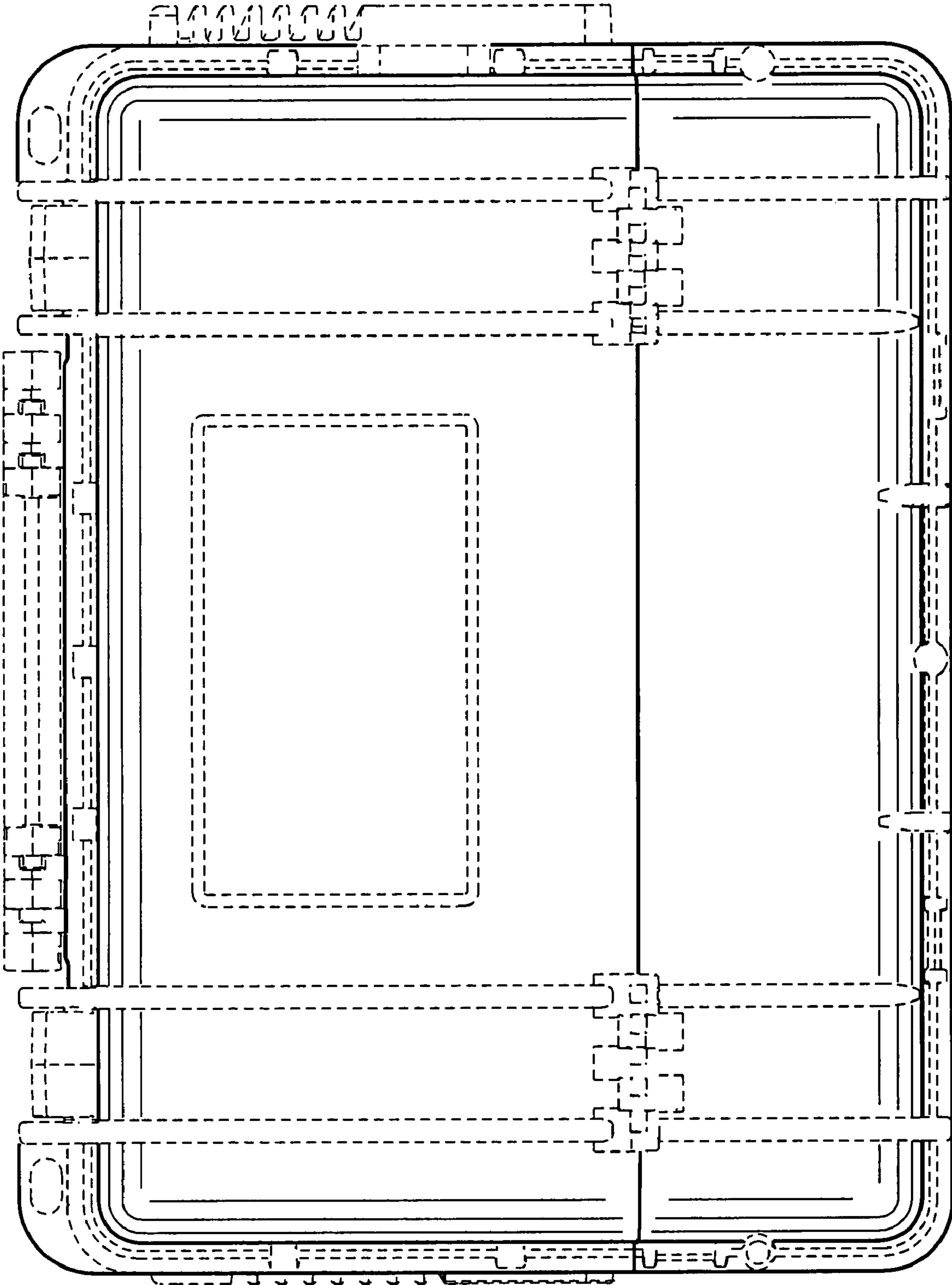


FIG. 2

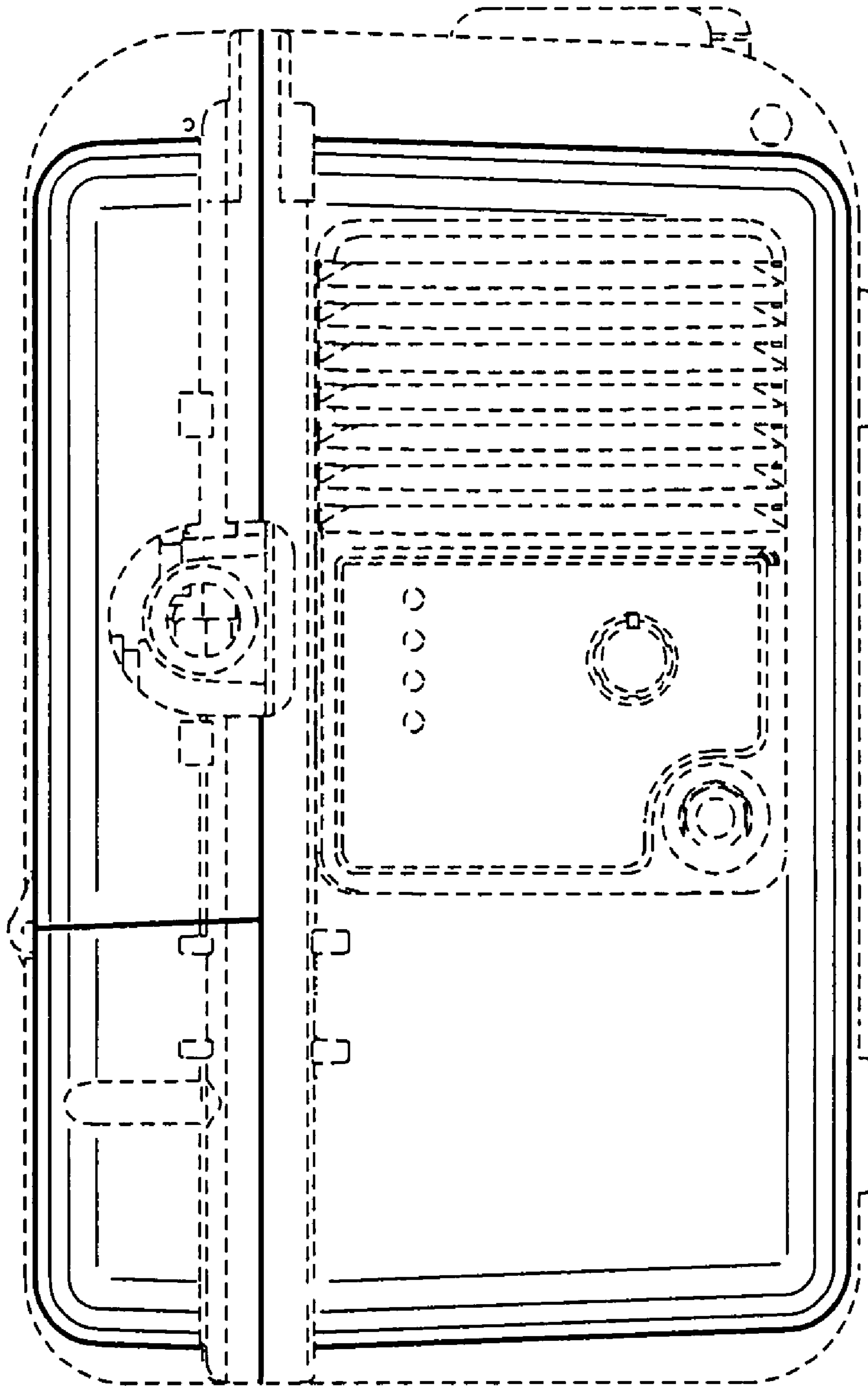


FIG. 3

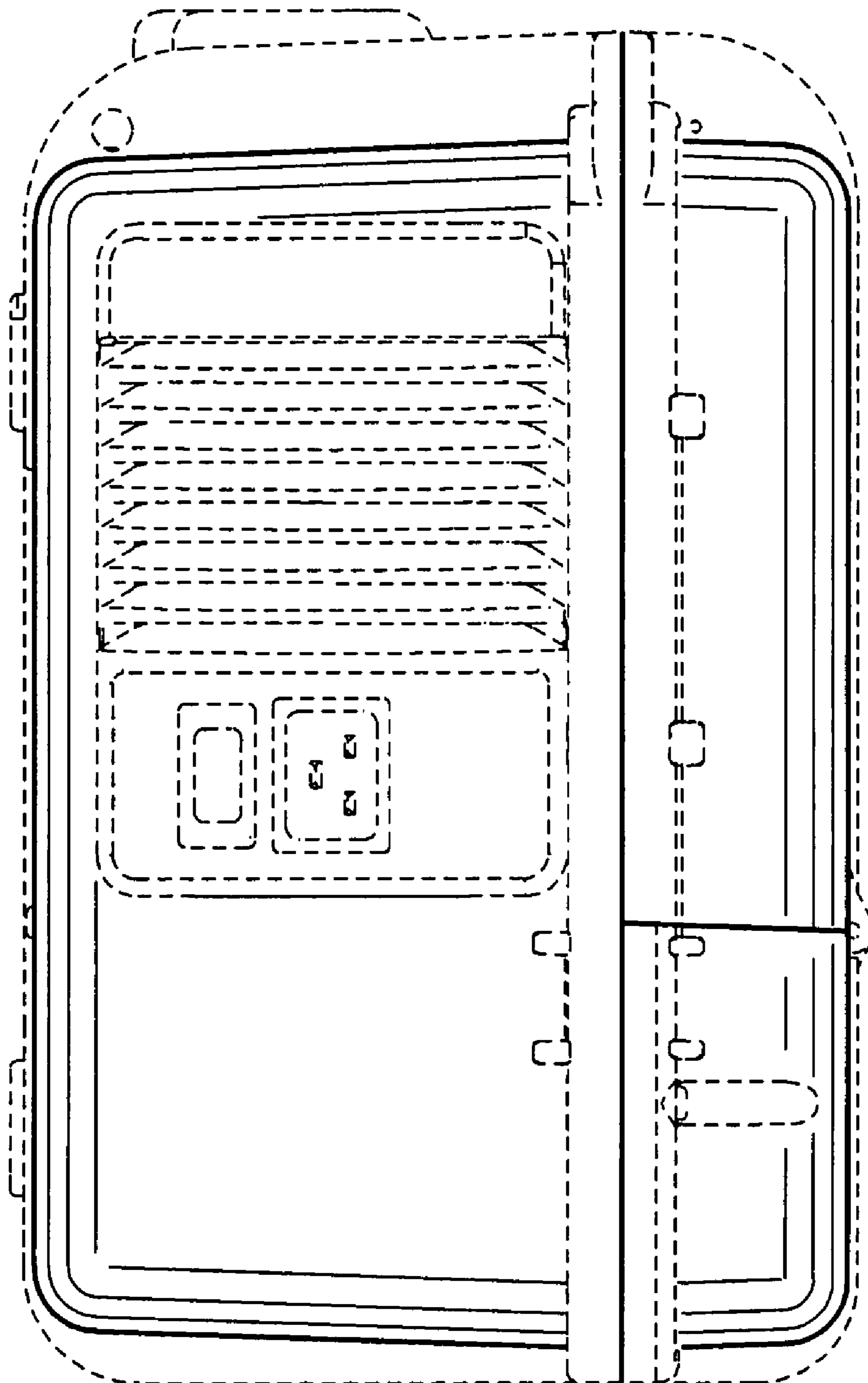


FIG. 4

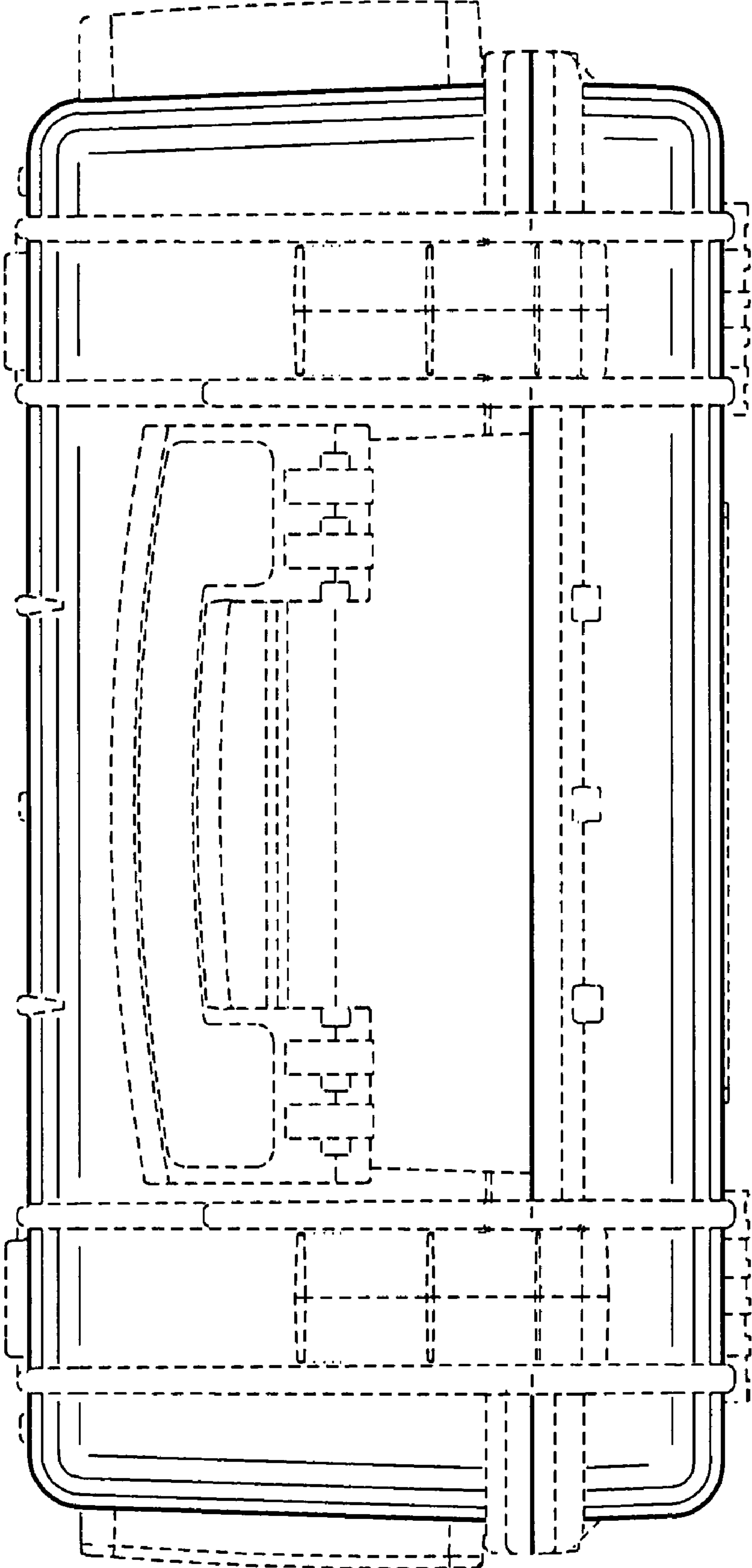


FIG. 5

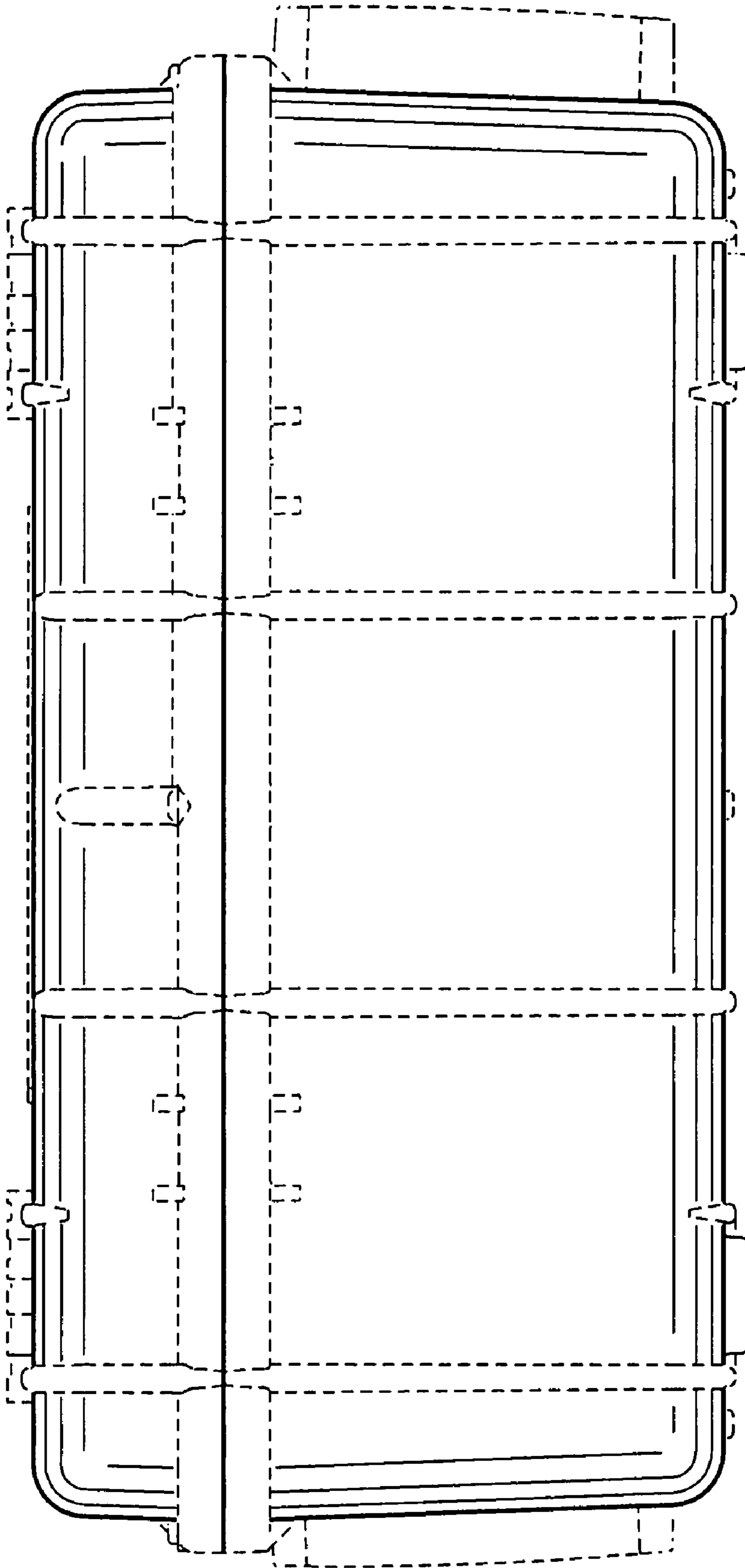
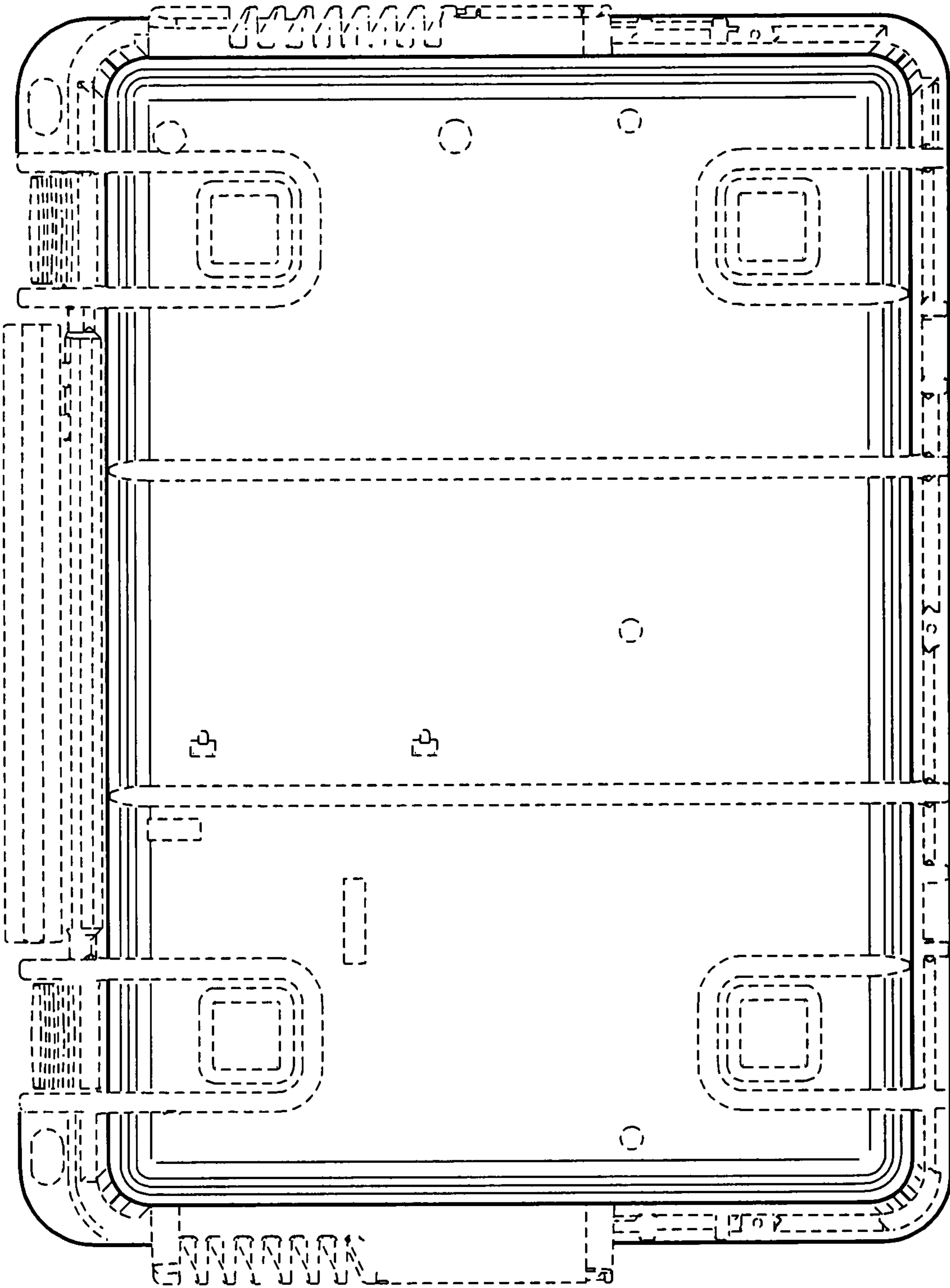


FIG. 6

FIG. 7



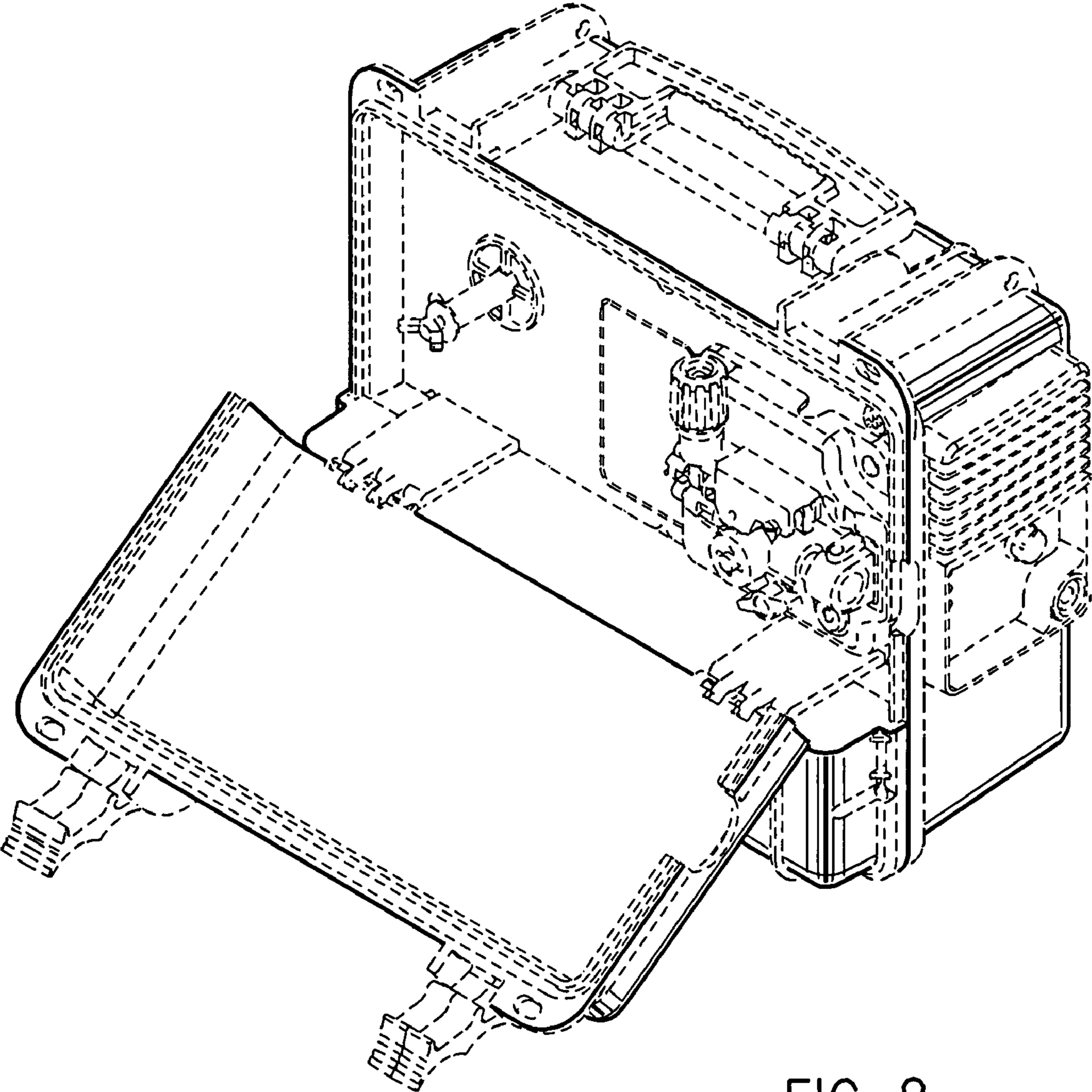
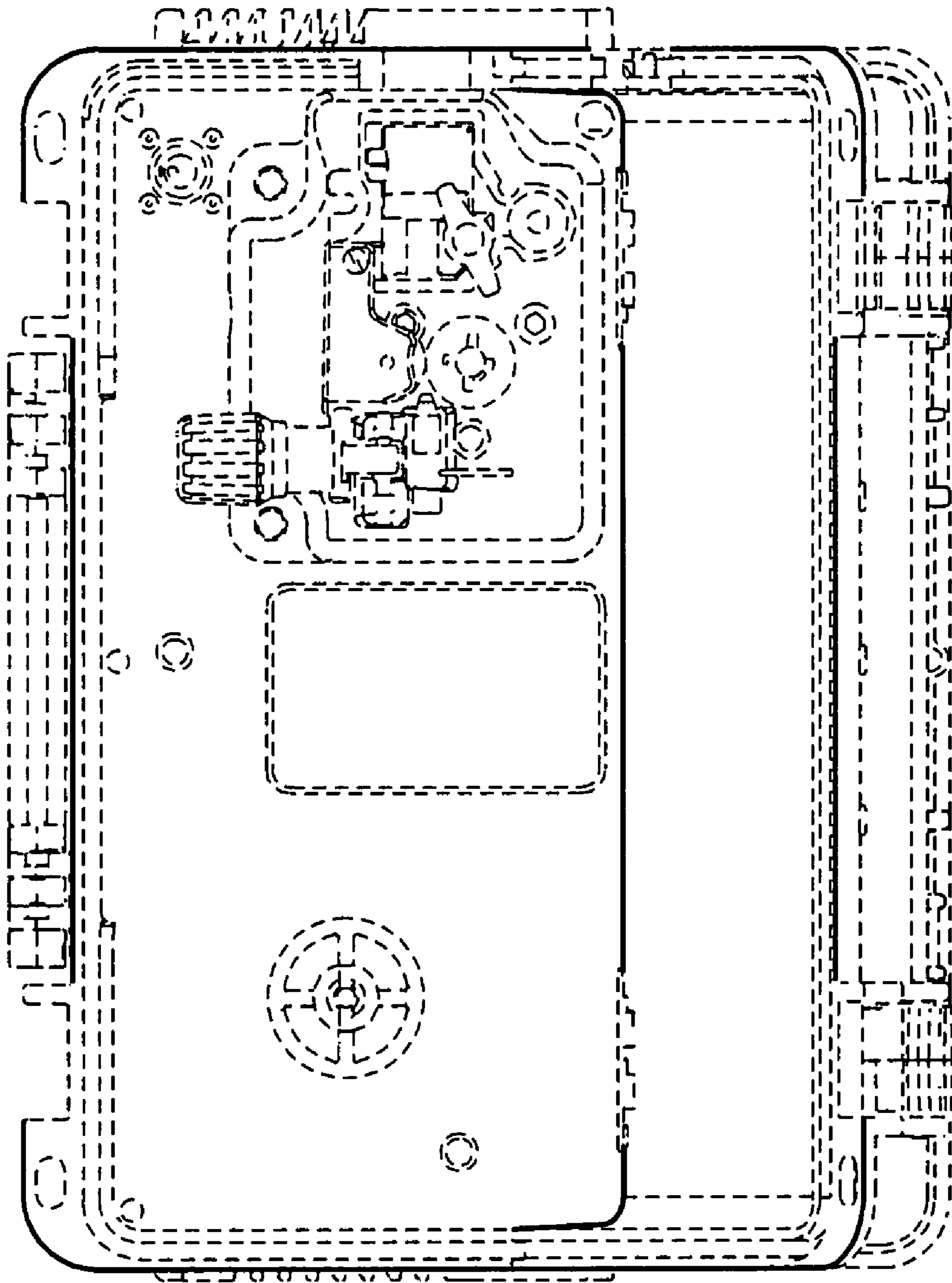


FIG. 8

FIG. 9



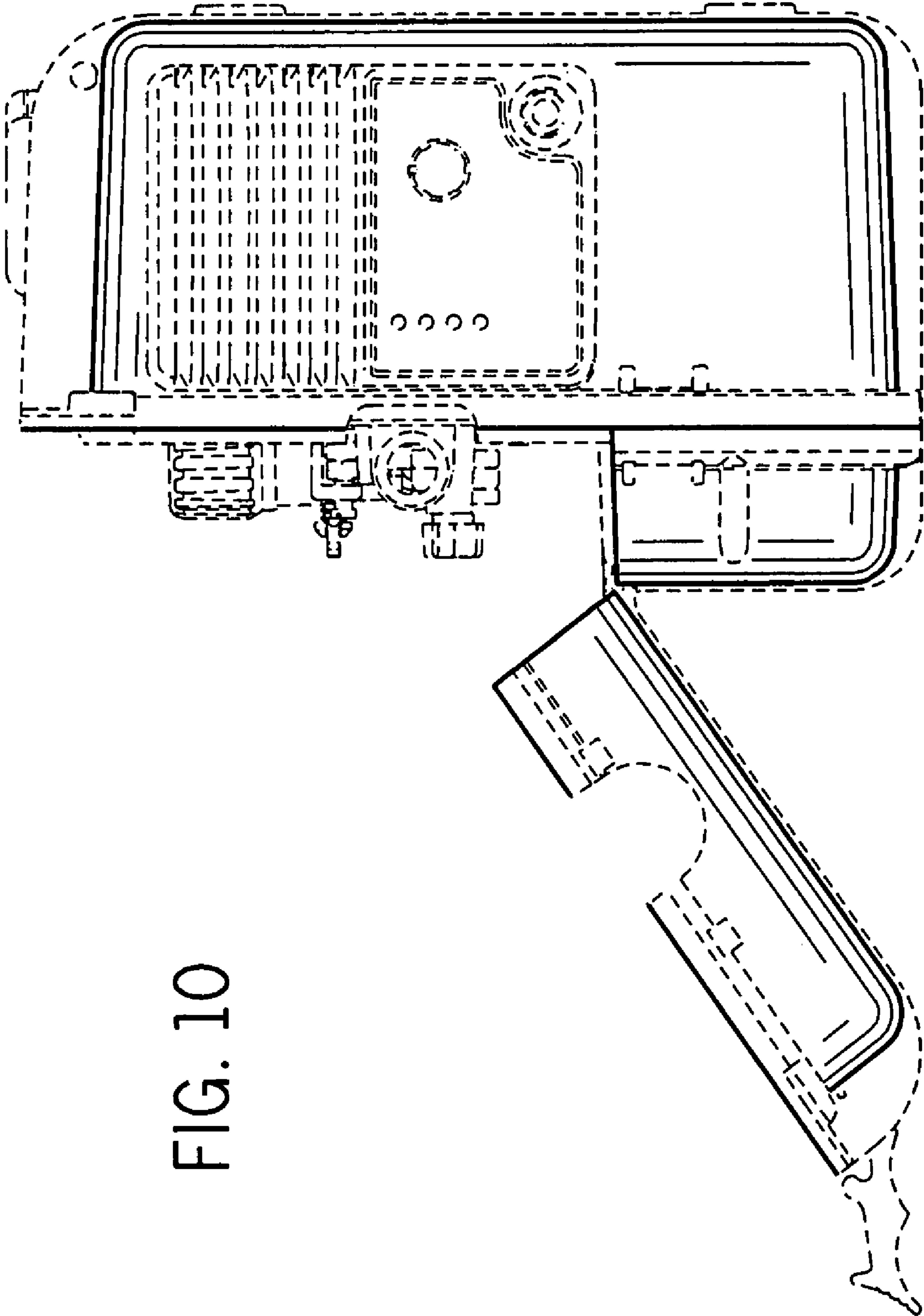


FIG. 10

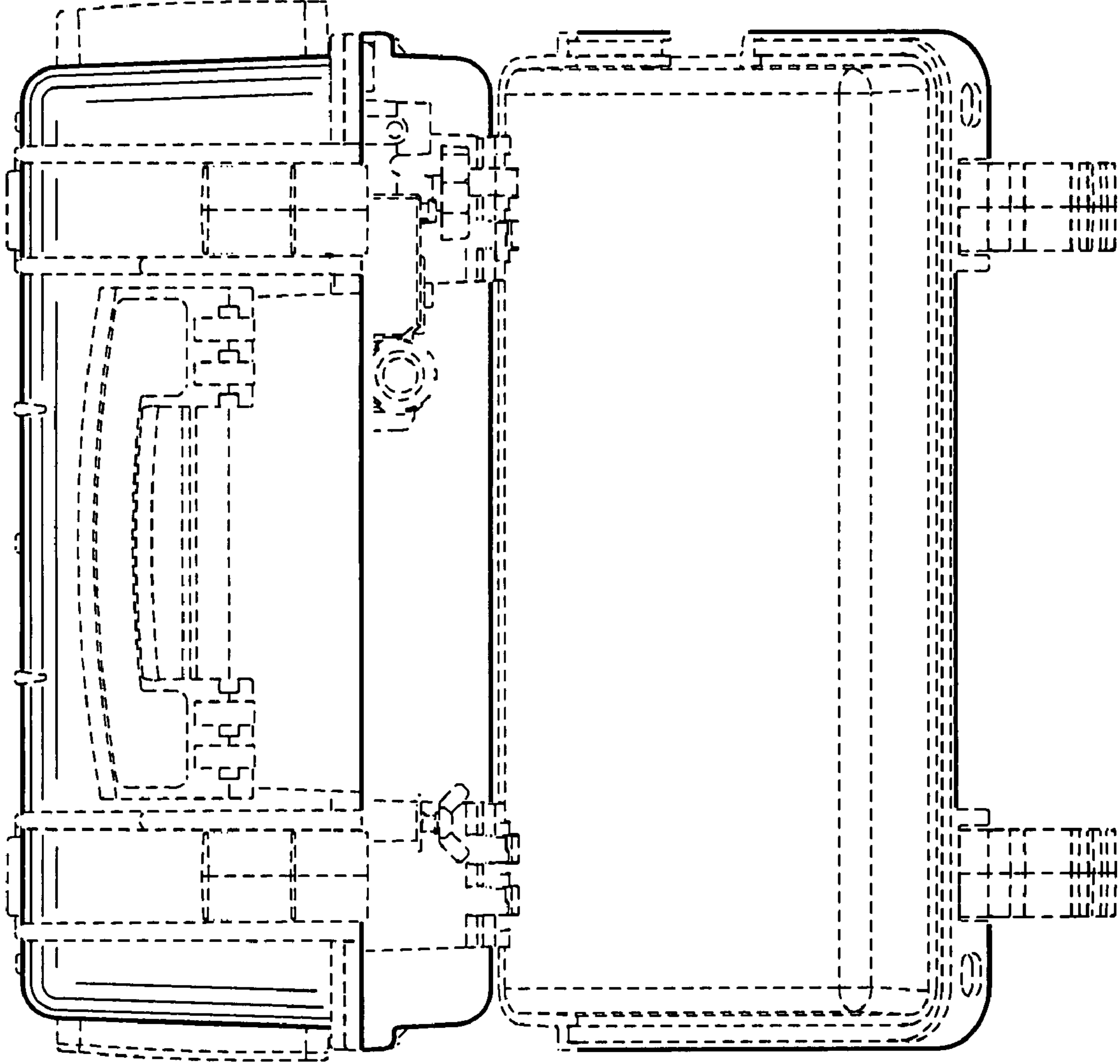


FIG. 11

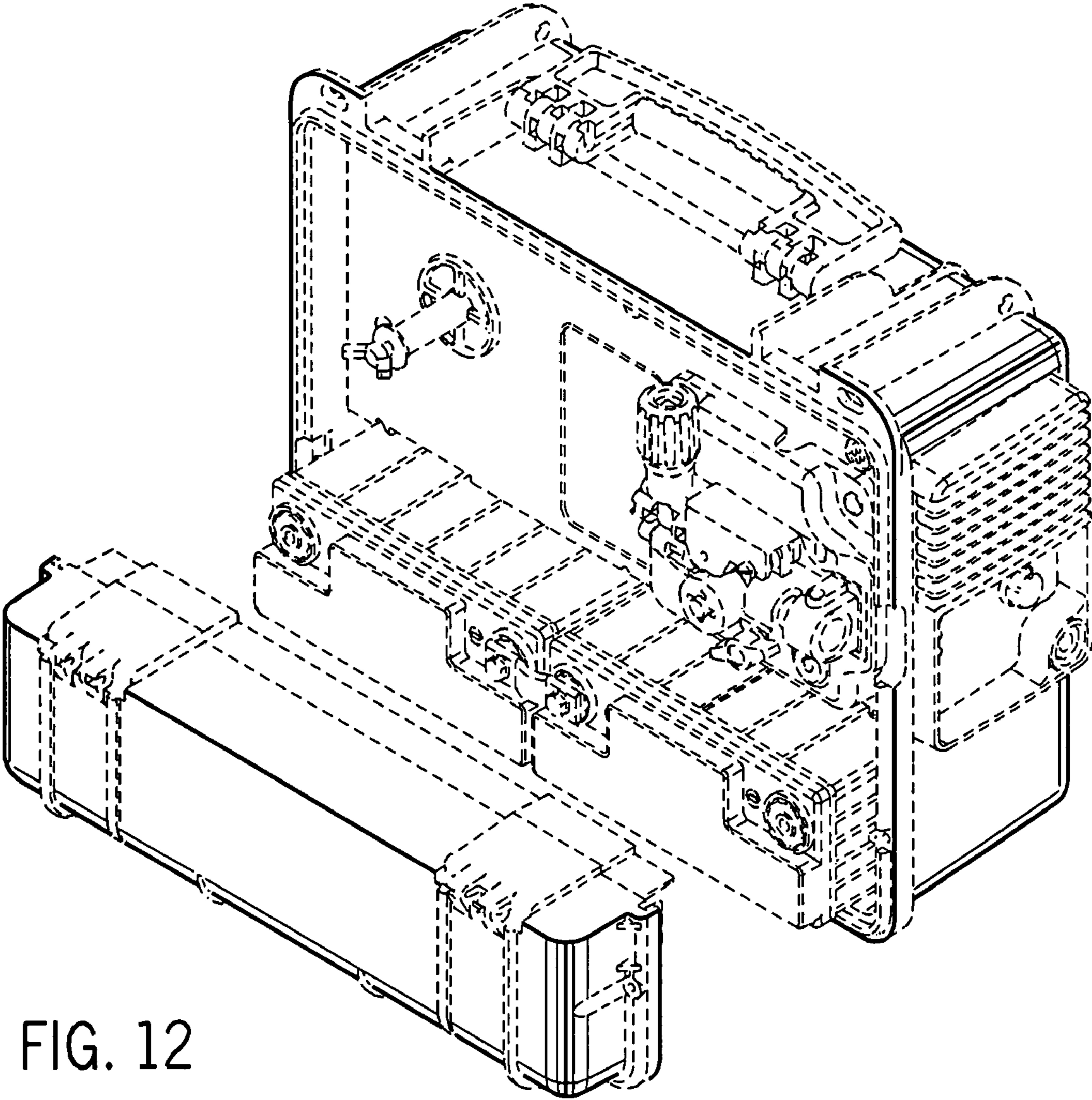


FIG. 12