



US00D611072S

(12) **United States Design Patent**  
**Shimirak et al.**

(10) **Patent No.:** **US D611,072 S**  
(45) **Date of Patent:** **\*\* \*Mar. 2, 2010**

(54) **OVAL SEALING GLAND FOR COMMUNICATION HOUSINGS**

D574,785 S \* 8/2008 Victor ..... D13/154  
D593,954 S \* 6/2009 Lee et al. .... D13/154

(75) Inventors: **Gerald L. Shimirak**, Sedalia, CO (US);  
**Derec Sheals**, Dartford (GB)

FOREIGN PATENT DOCUMENTS

GB 2273398 6/1994

(73) Assignee: **Channell Commercial Corporation**,  
Temecula, CA (US)

\* cited by examiner

(\*\*) Term: **14 Years**

*Primary Examiner*—Sandra Snapp

*Assistant Examiner*—Patricia Palasik

(21) Appl. No.: **29/319,236**

(74) *Attorney, Agent, or Firm*—Buchanan Ingersoll &  
Rooney PC

(22) Filed: **Jun. 5, 2008**

(57) **CLAIM**

(51) **LOC (9) Cl.** ..... **15-09**

The ornamental design for an oval sealing gland for communication housings, as shown and described.

(52) **U.S. Cl.** ..... **D15/138**; D13/147

(58) **Field of Classification Search** ..... D13/146,  
D13/147, 154, 156; D15/145, 146, 199;  
277/184; 385/135; 439/272, 489, 502, 505,  
439/578, 623, 680, 686

**DESCRIPTION**

See application file for complete search history.

FIG. 1 is a perspective view of an oval sealing gland for communication housings.

FIG. 2 is a first side view of the oval sealing gland for communication housings of FIG. 1.

(56) **References Cited**

U.S. PATENT DOCUMENTS

1,840,127 A \* 1/1932 Penney ..... 384/132  
2,612,393 A \* 9/1952 Dahlgren ..... 277/585  
3,158,379 A \* 11/1964 Nava et al. .... 277/615  
3,891,330 A \* 6/1975 Vasas ..... 401/122  
4,961,599 A \* 10/1990 Delery et al. .... 285/230  
5,155,303 A 10/1992 Bensel et al.  
5,301,959 A \* 4/1994 Gould ..... 277/606  
5,389,005 A \* 2/1995 Kodama ..... 439/272  
6,051,792 A 4/2000 Damm et al.  
6,248,953 B1 6/2001 Miller  
D461,452 S \* 8/2002 Yeh ..... D13/147  
D513,409 S \* 1/2006 Suckle ..... D13/156  
D543,156 S \* 5/2007 Suckle ..... D13/154  
D563,872 S \* 3/2008 Lee et al. .... D13/133

FIG. 3 is a second side view of the oval sealing gland for communication housings of FIG. 1.

FIG. 4 is a third side view of the oval sealing gland for communication housings of FIG. 1.

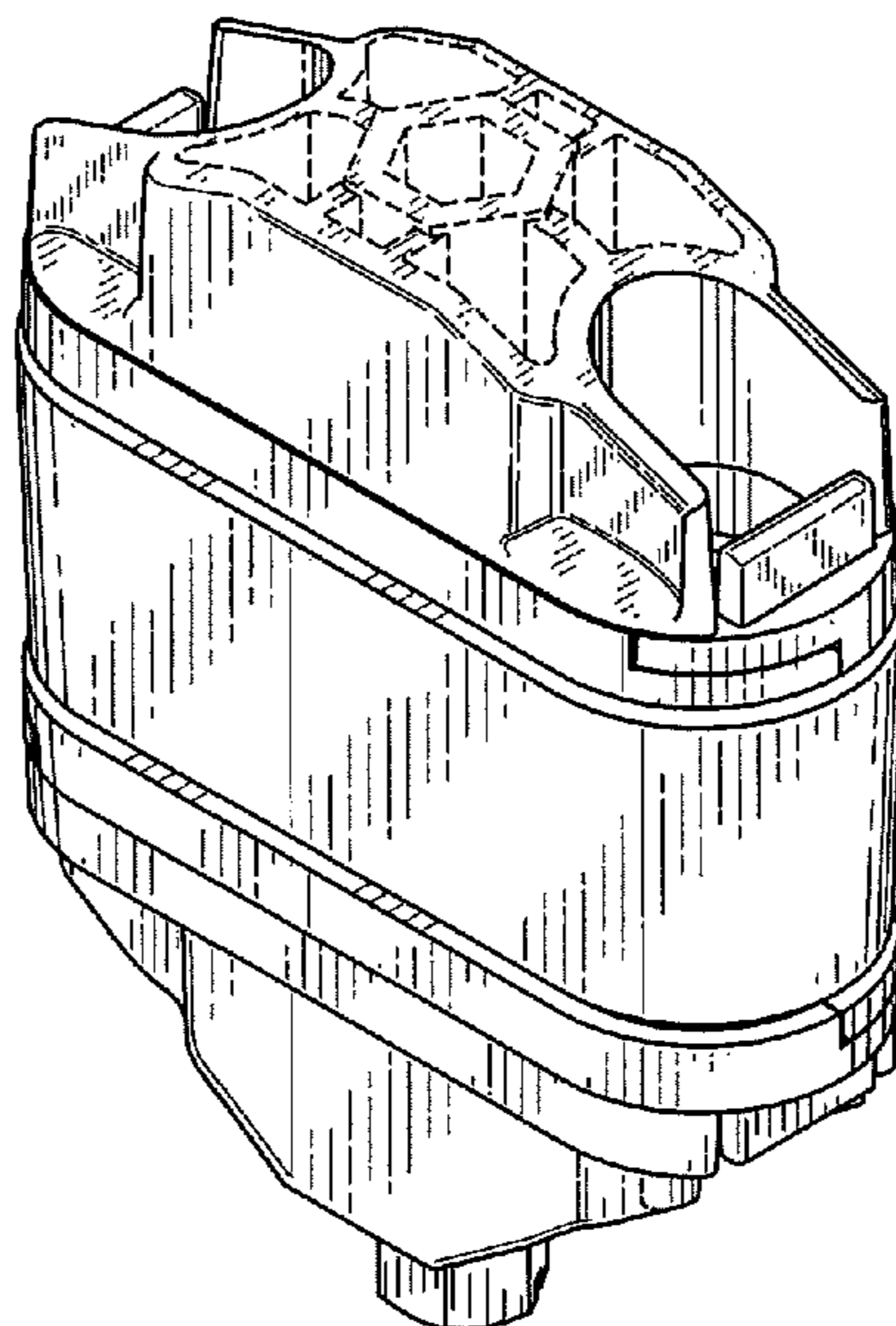
FIG. 5 is a fourth side view of the oval sealing gland for communication housings of FIG. 1.

FIG. 6 is a top view of the oval sealing gland for communication housings of FIG. 1; and,

FIG. 7 is a bottom view of the oval sealing gland for communication housings of FIG. 1.

The broken lines in the drawings depict unclaimed environmental subject matter.

**1 Claim, 4 Drawing Sheets**



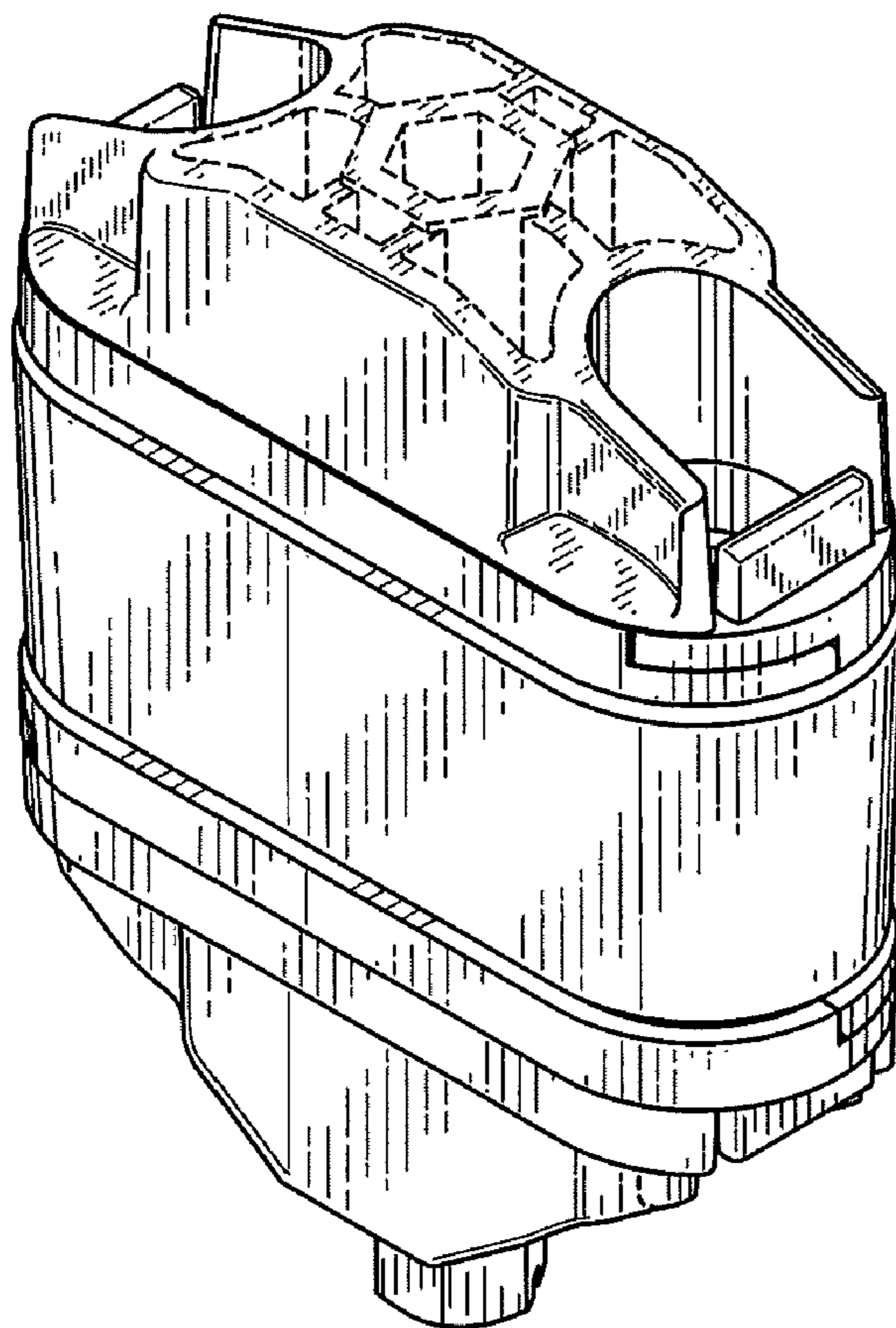


FIG. 1

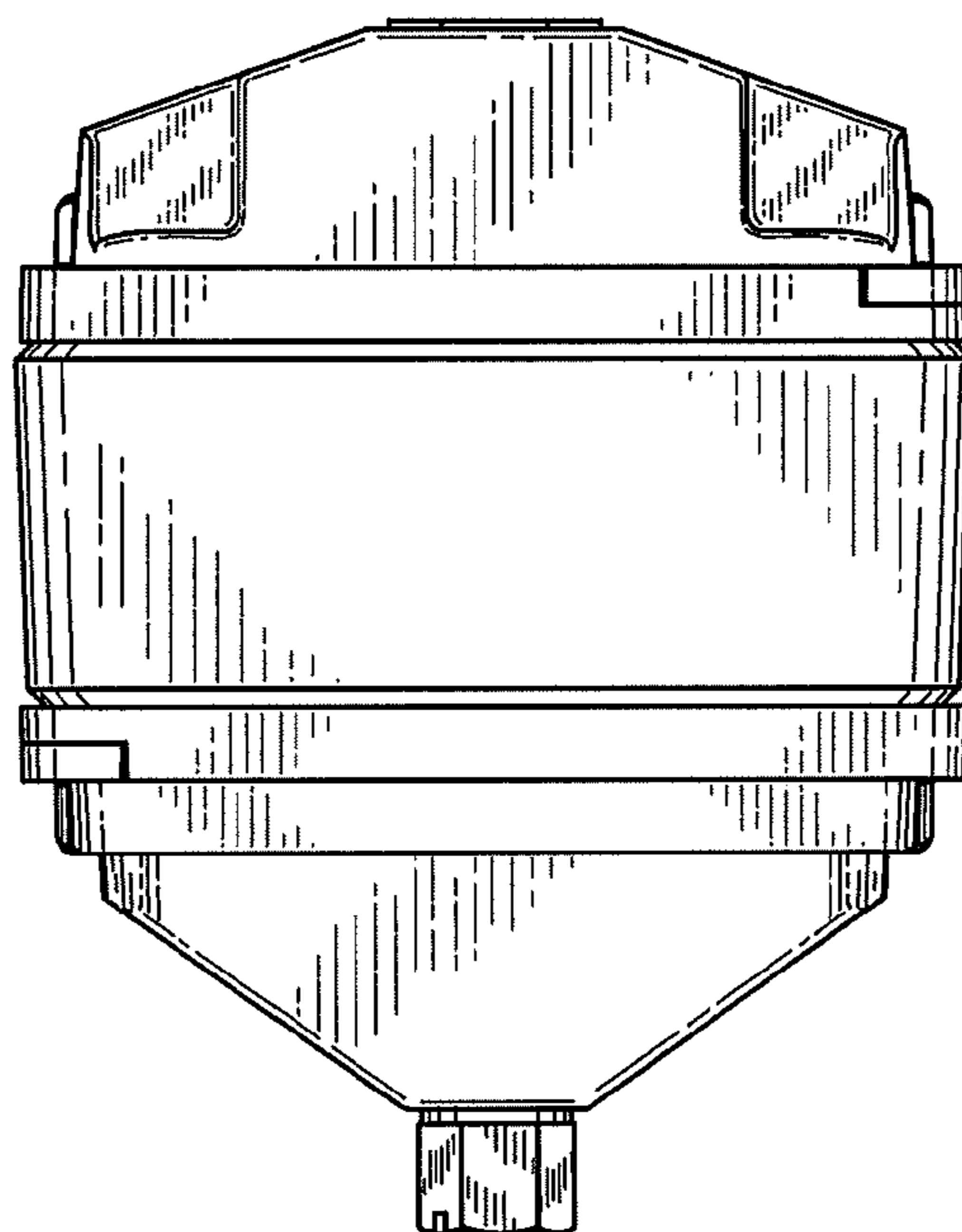


FIG. 2

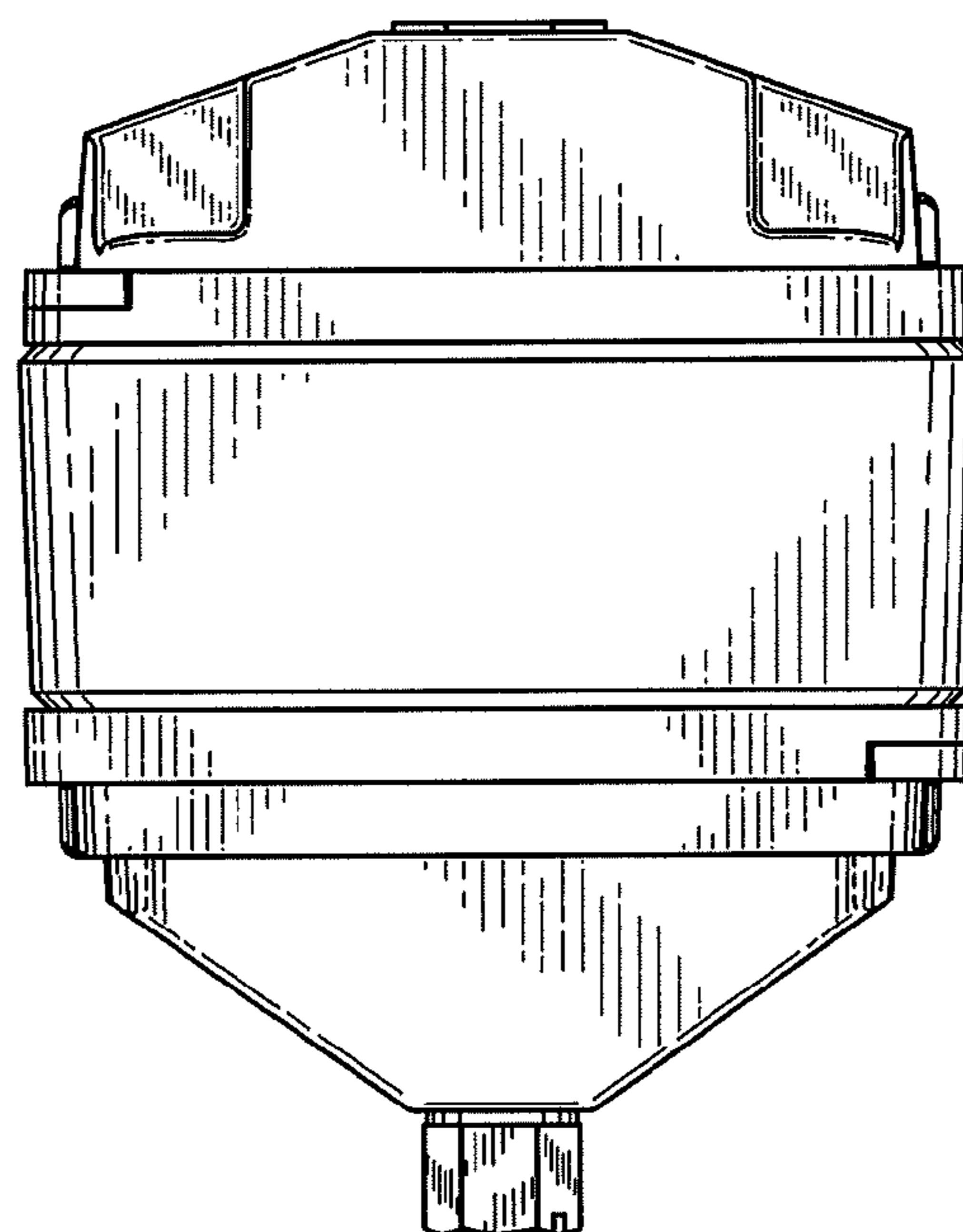


FIG. 3

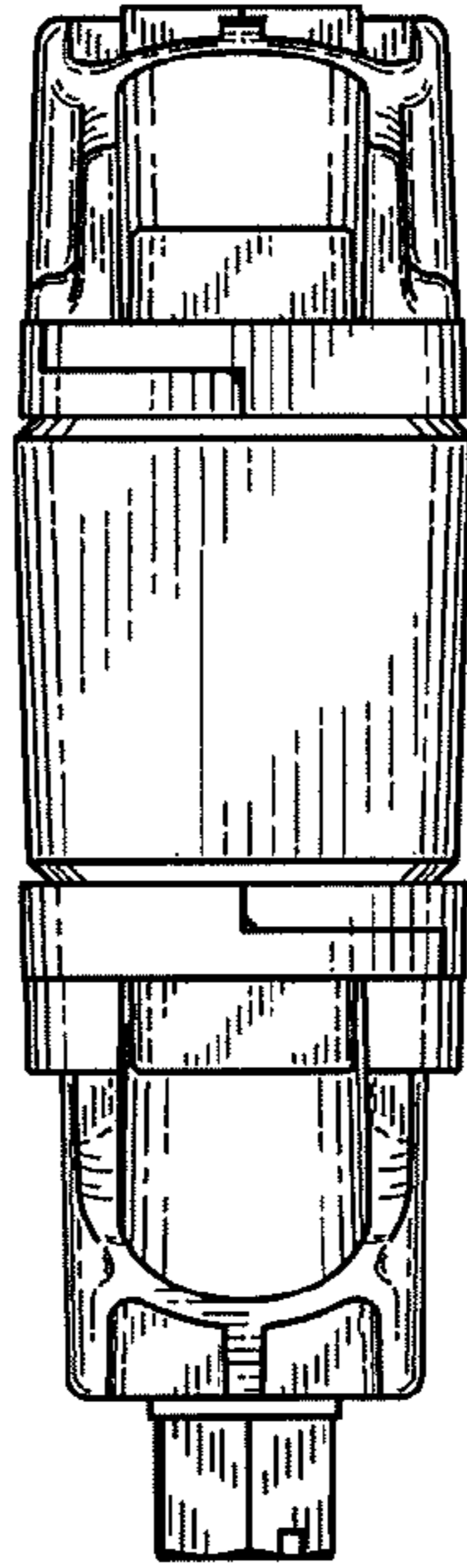


FIG. 4

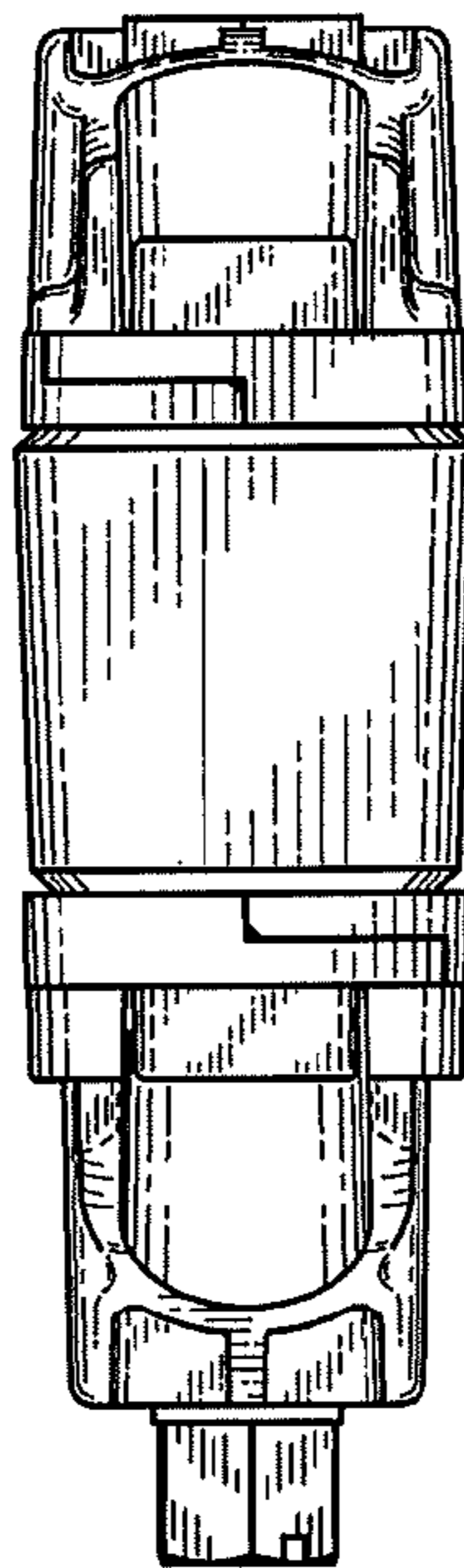


FIG. 5

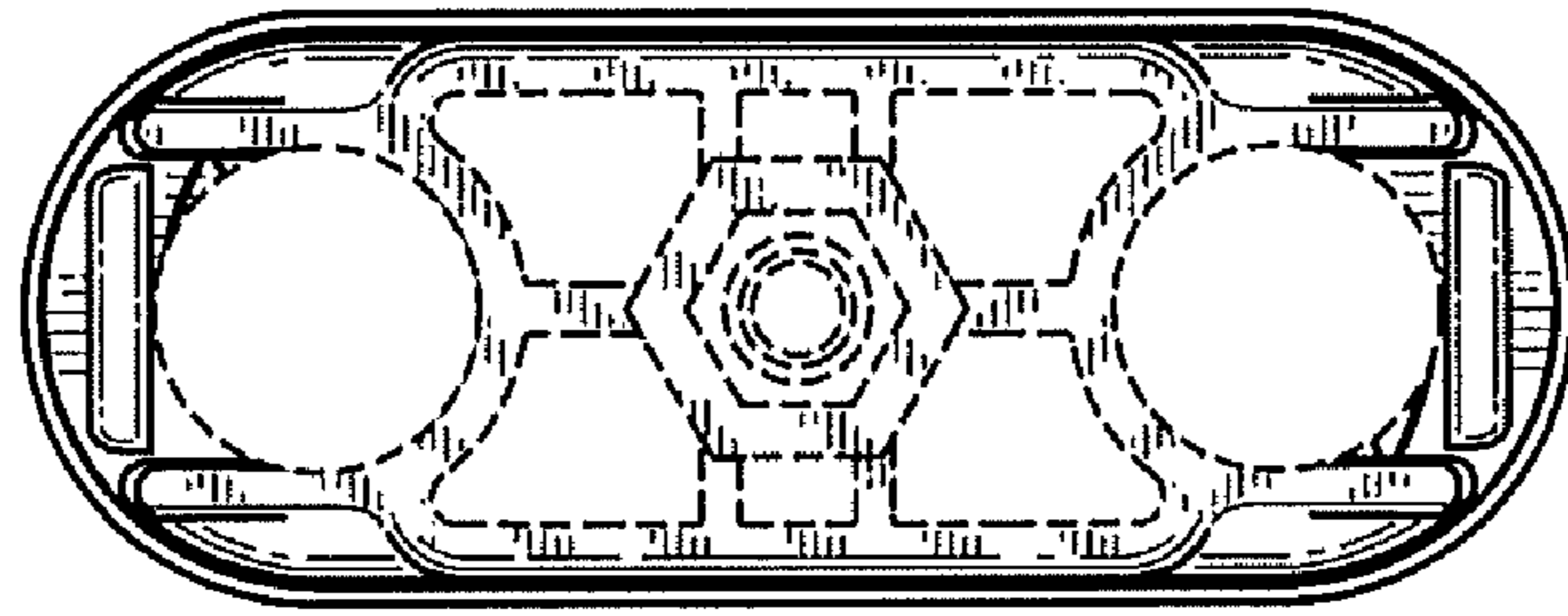


FIG. 6

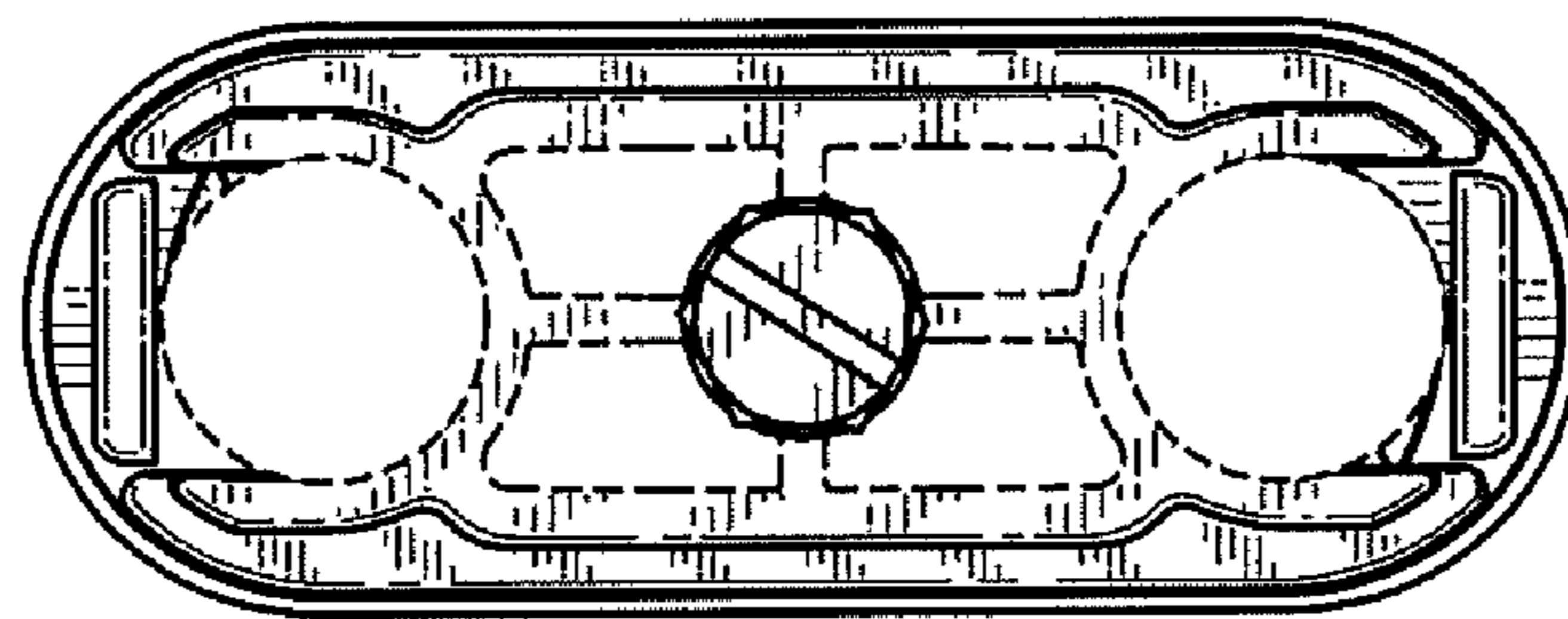


FIG. 7