



US00D611071S

(12) **United States Design Patent**  
**Salieri**

(10) **Patent No.:** **US D611,071 S**

(45) **Date of Patent:** **\*\* \*Mar. 2, 2010**

(54) **PRESS FOR CERAMIC TILES**

(75) Inventor: **Marco Salieri**, Bologna (IT)

(73) Assignee: **Sacmi Cooperativa Meccanici Imola Societa' Cooperativa**, Bologna (IT)

(\*\*) Term: **14 Years**

(21) Appl. No.: **29/310,244**

(22) Filed: **Aug. 5, 2008**

**Related U.S. Application Data**

(63) Continuation-in-part of application No. 29/285,182, filed on Mar. 23, 2007, now abandoned.

(51) **LOC (9) Cl.** ..... **15-09**

(52) **U.S. Cl.** ..... **D15/135**

(58) **Field of Classification Search** ..... D15/122,  
D15/123, 128, 135, 199; 72/453.04, 454;  
100/269.08; 174/DIG. 13, DIG. 31; 425/149,  
425/167, 344, 419, 420, 457, 521  
See application file for complete search history.

(56) **References Cited**

**U.S. PATENT DOCUMENTS**

3,380,117 A \* 4/1968 Gluck ..... 425/167  
3,535,754 A \* 10/1970 Walchhutter ..... 425/411  
3,579,757 A \* 5/1971 Mingotti ..... 425/150

3,830,615 A \* 8/1974 Walchuetter ..... 425/344  
4,363,612 A \* 12/1982 Walchhutter ..... 425/167  
6,332,768 B1 \* 12/2001 Raio et al. .... 425/152  
D553,653 S \* 10/2007 Kai ..... D15/122

\* cited by examiner

*Primary Examiner*—Sandra Snapp

*Assistant Examiner*—Patricia Palasik

(74) *Attorney, Agent, or Firm*—Collard & Roe, P.C.

(57) **CLAIM**

The ornamental design for a press for ceramic tiles, as shown and described.

**DESCRIPTION**

FIG. 1 shows a front view of my design for a press for ceramic tiles;

FIG. 2 shows a back view thereof;

FIG. 3 shows a left side view thereof;

FIG. 4 shows a right side view thereof;

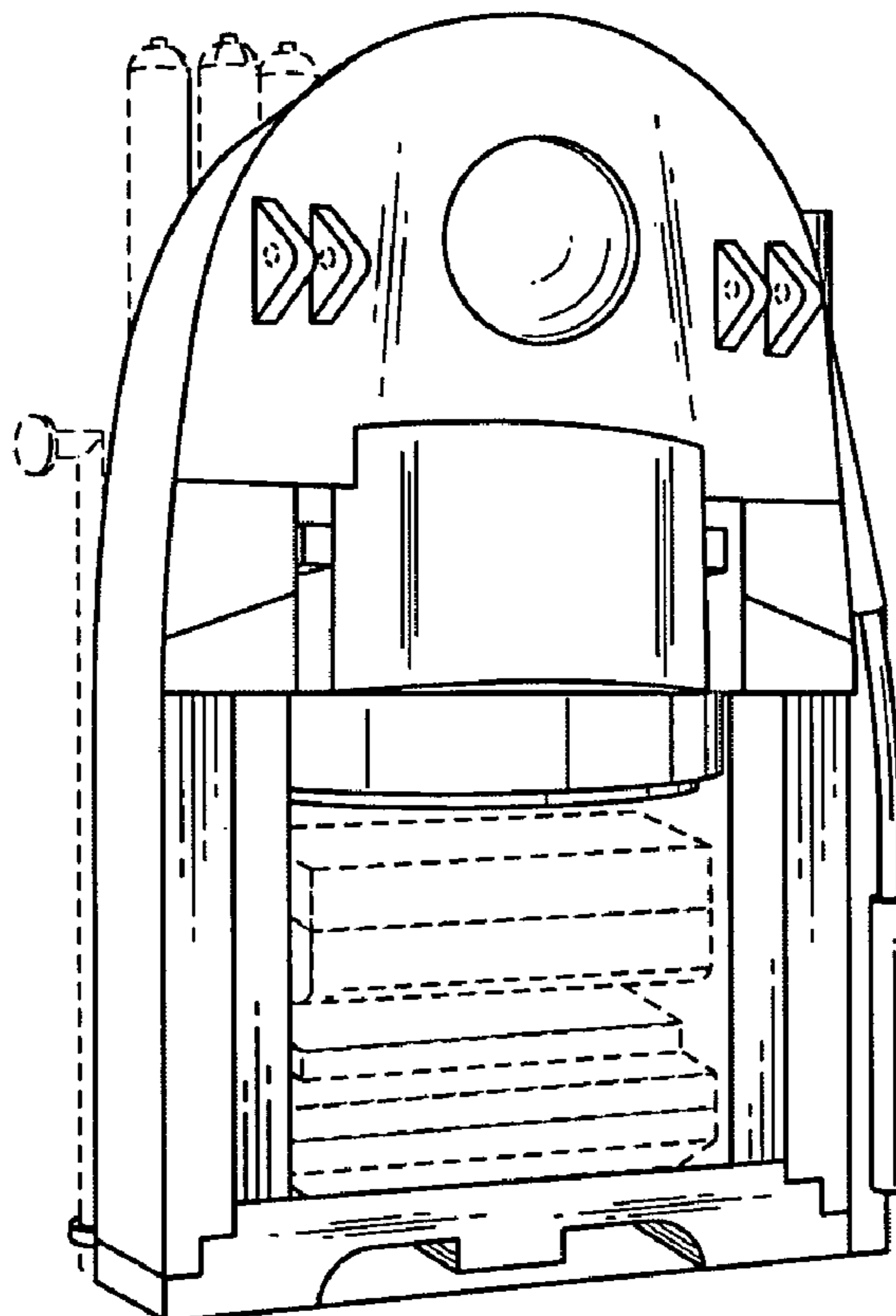
FIG. 5 shows a top view thereof;

FIG. 6 shows a bottom view thereof; and,

FIG. 7 shows a front perspective view thereof.

The areas shown in broken lines form no part of the claimed invention.

**1 Claim, 4 Drawing Sheets**



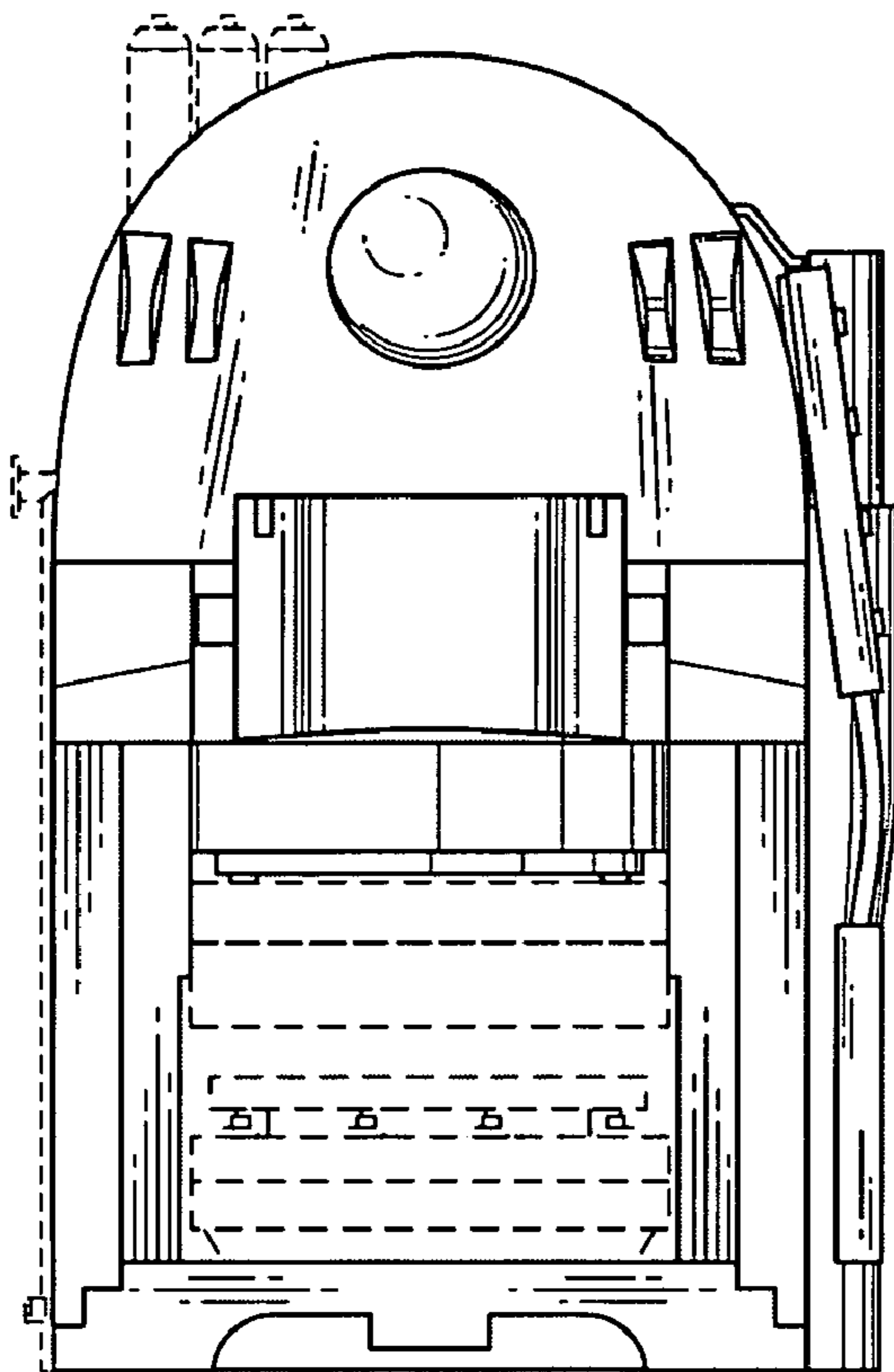


FIG. 1

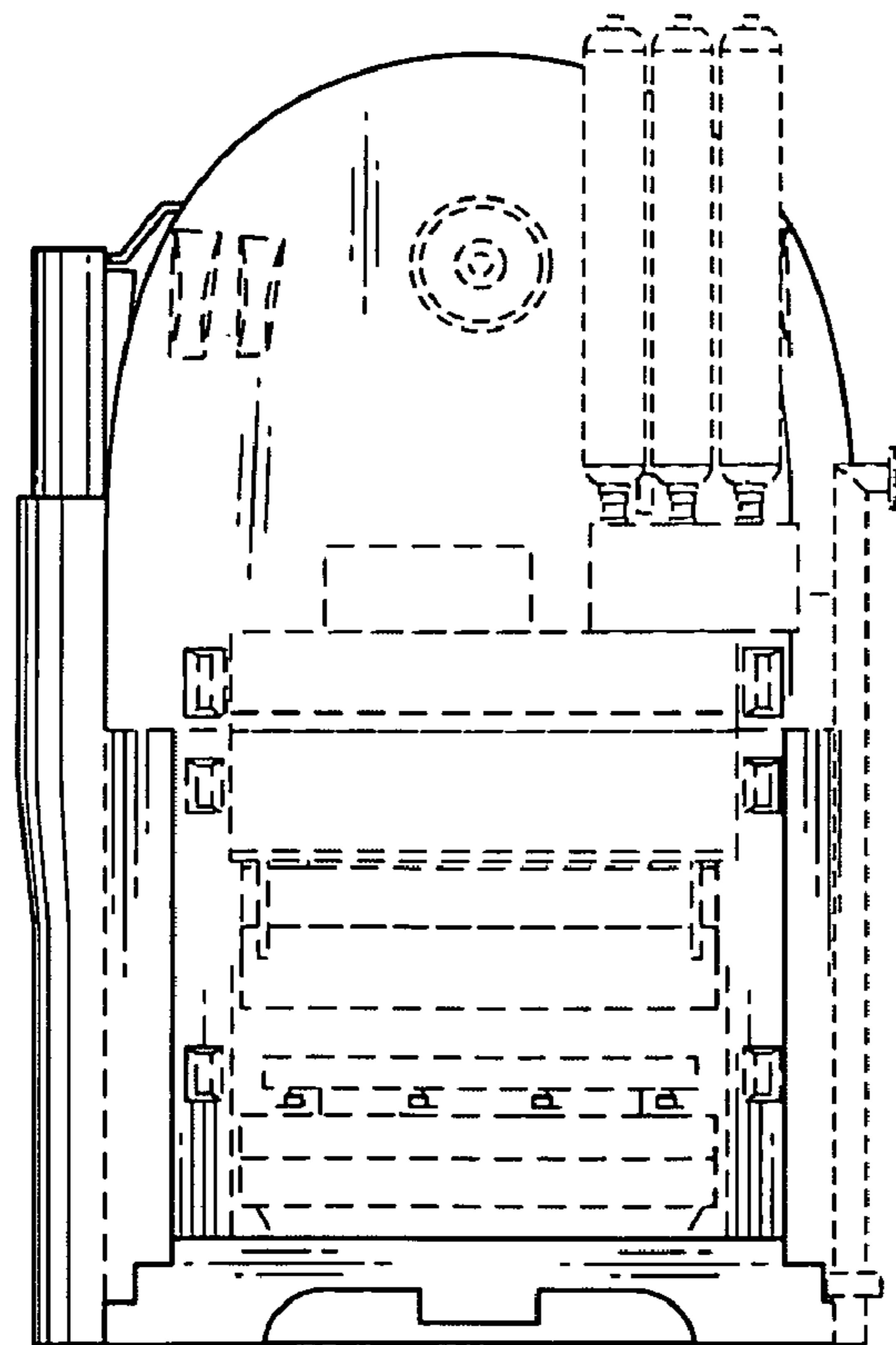


FIG. 2

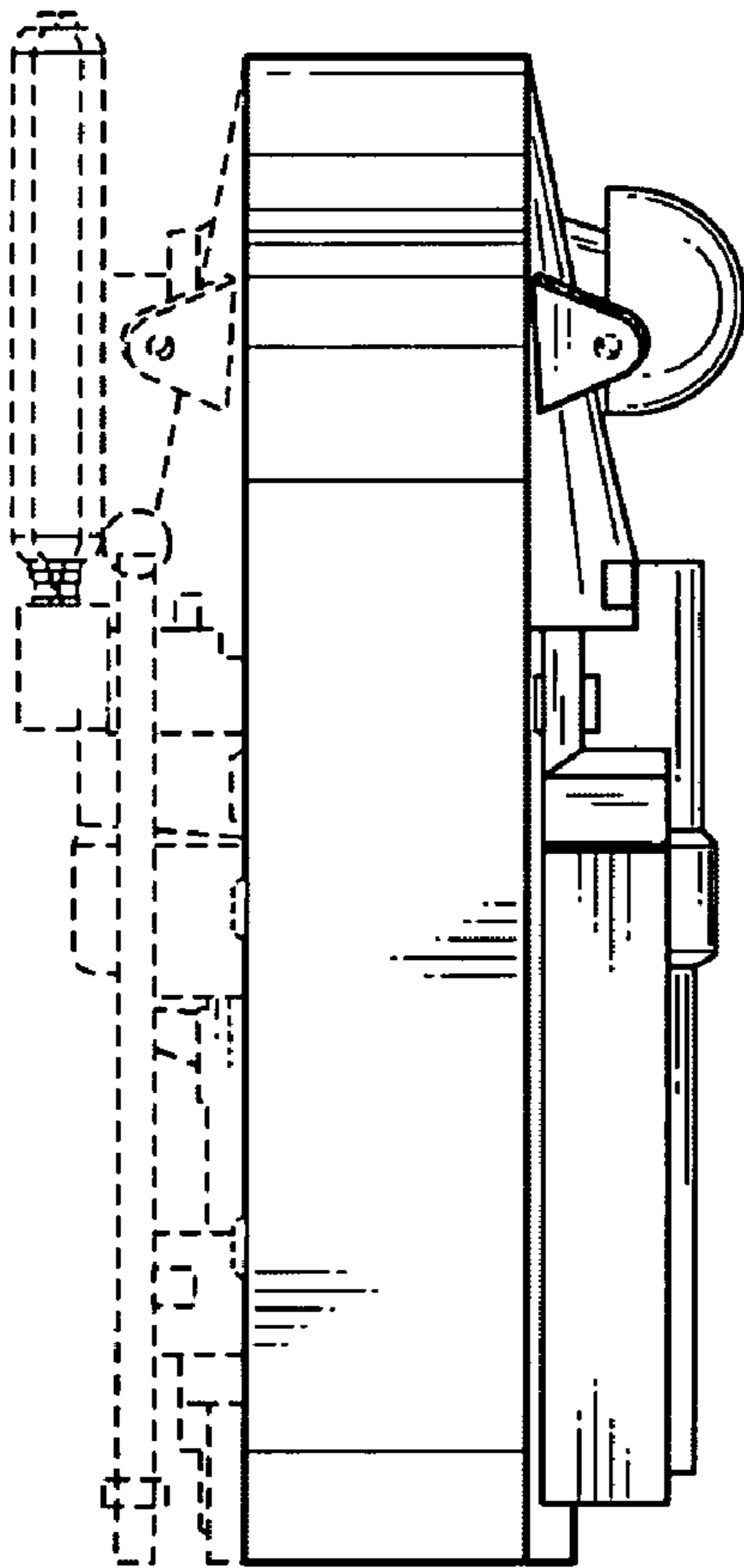


FIG. 3

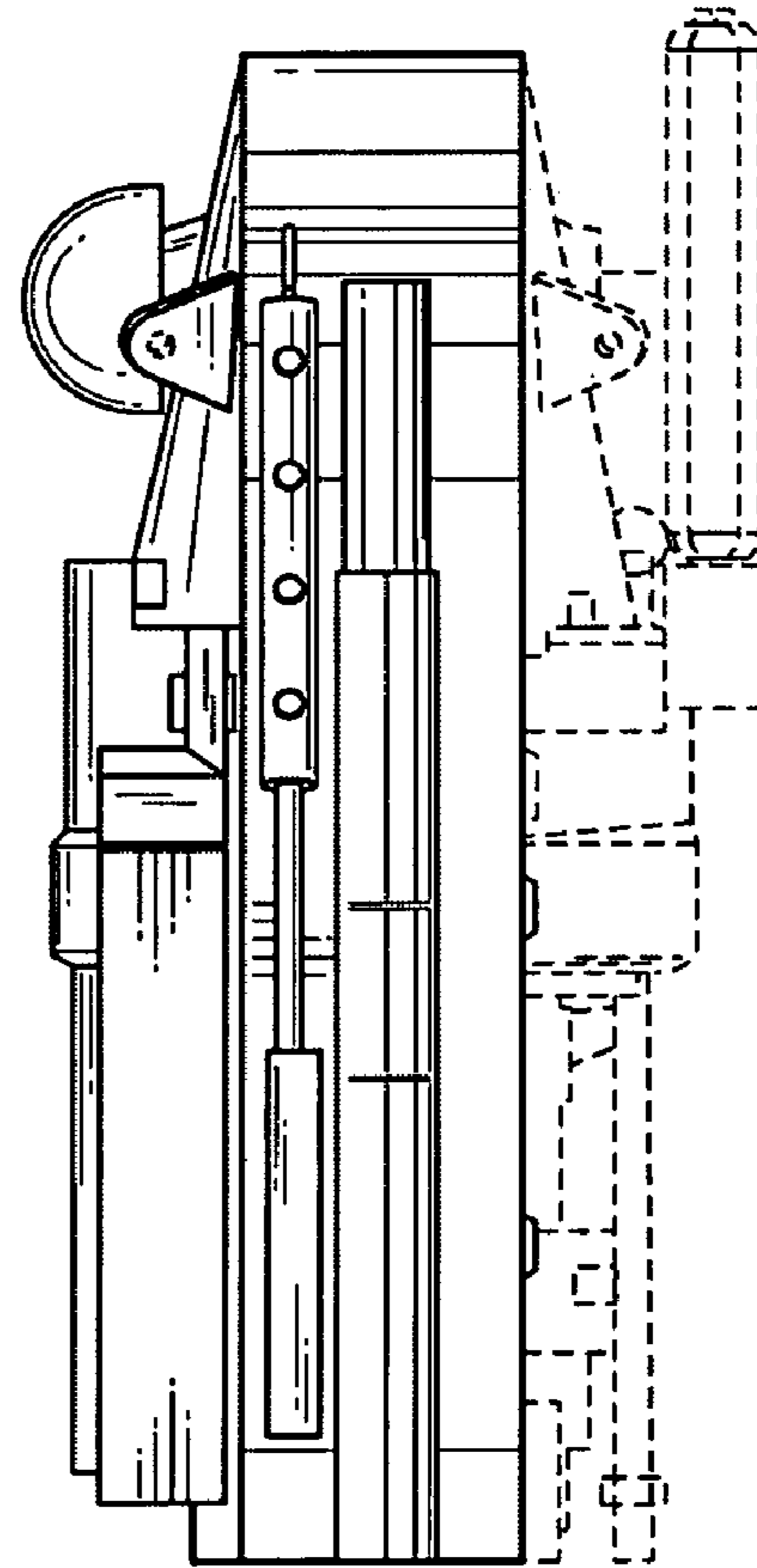


FIG. 4

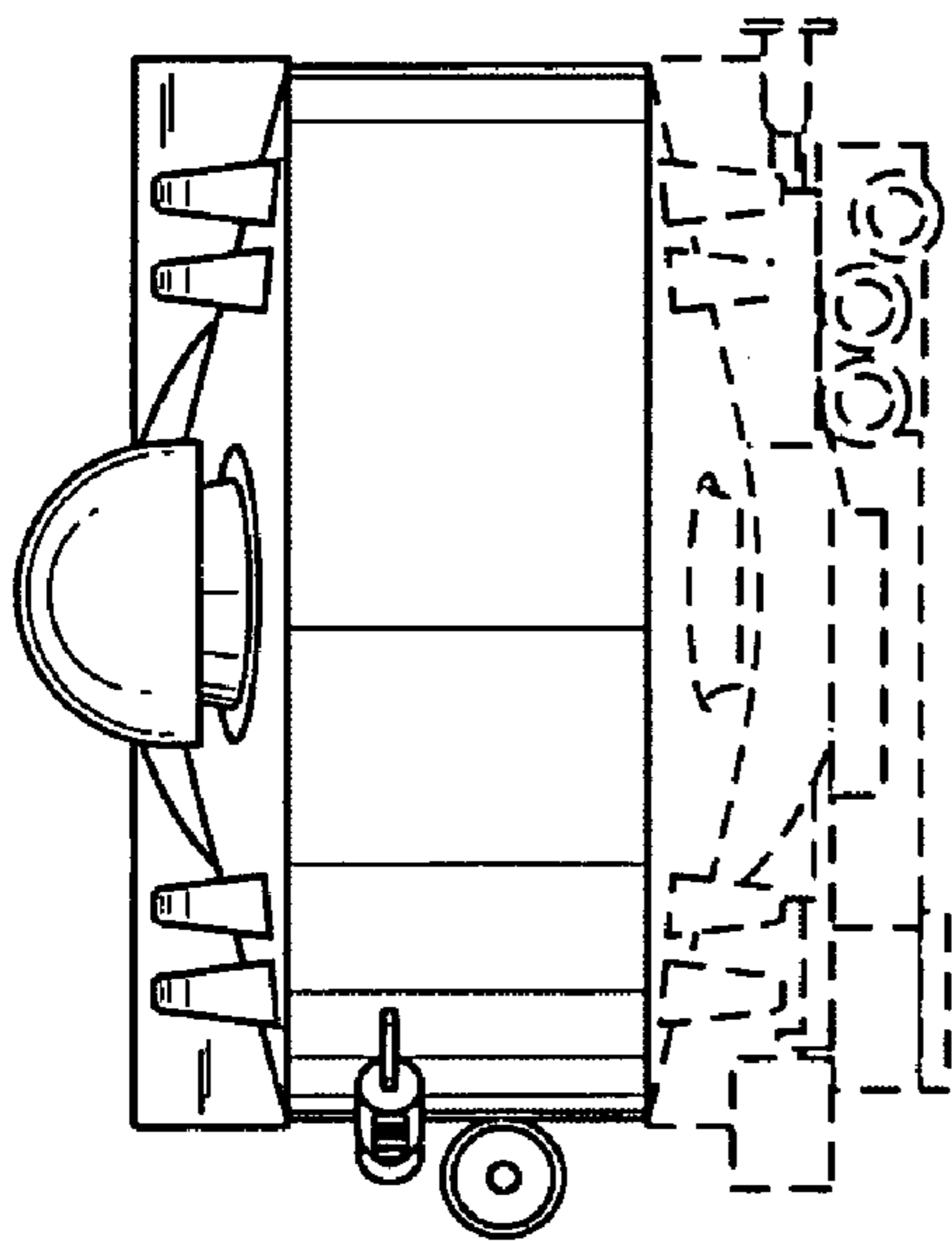


FIG. 5

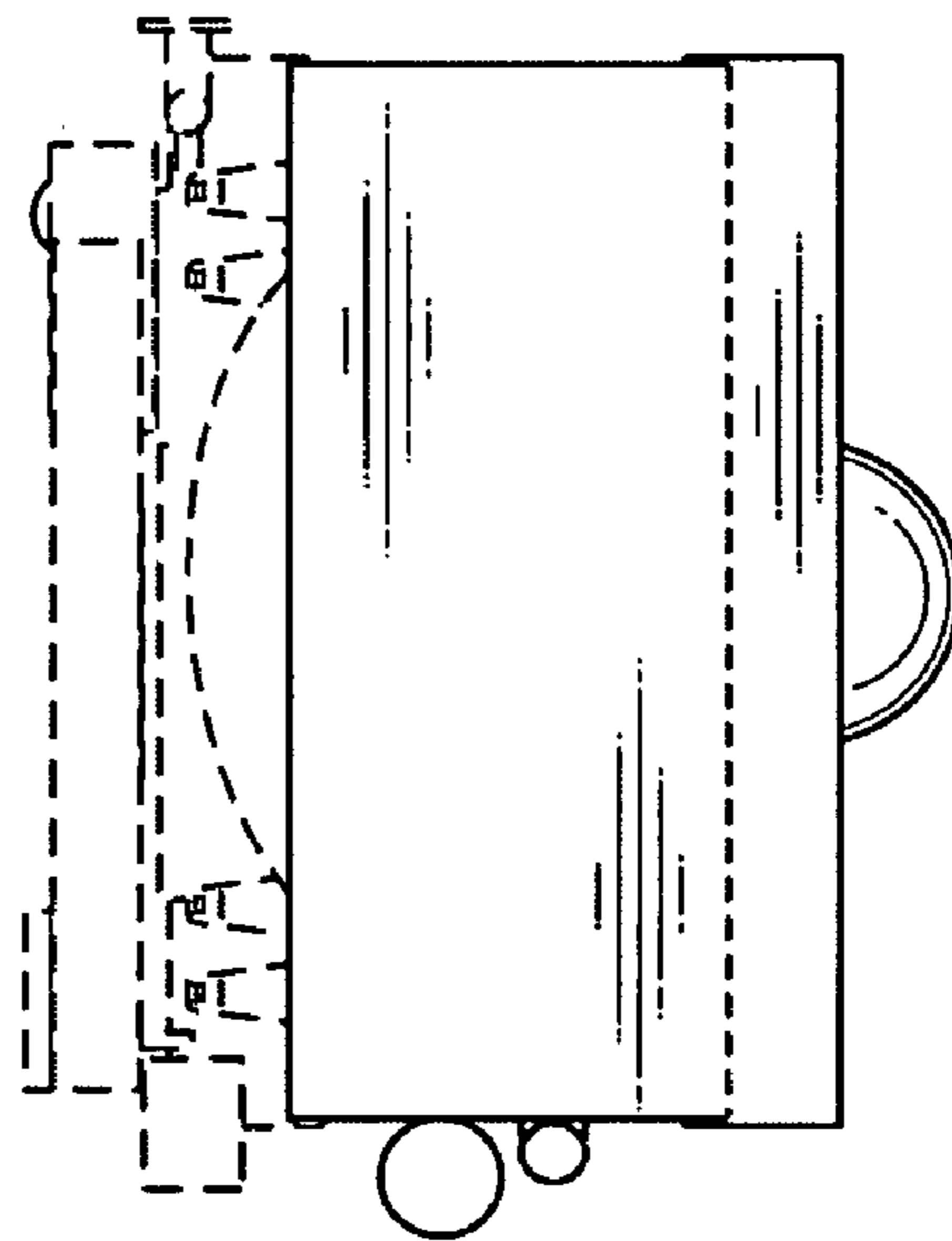


FIG. 6

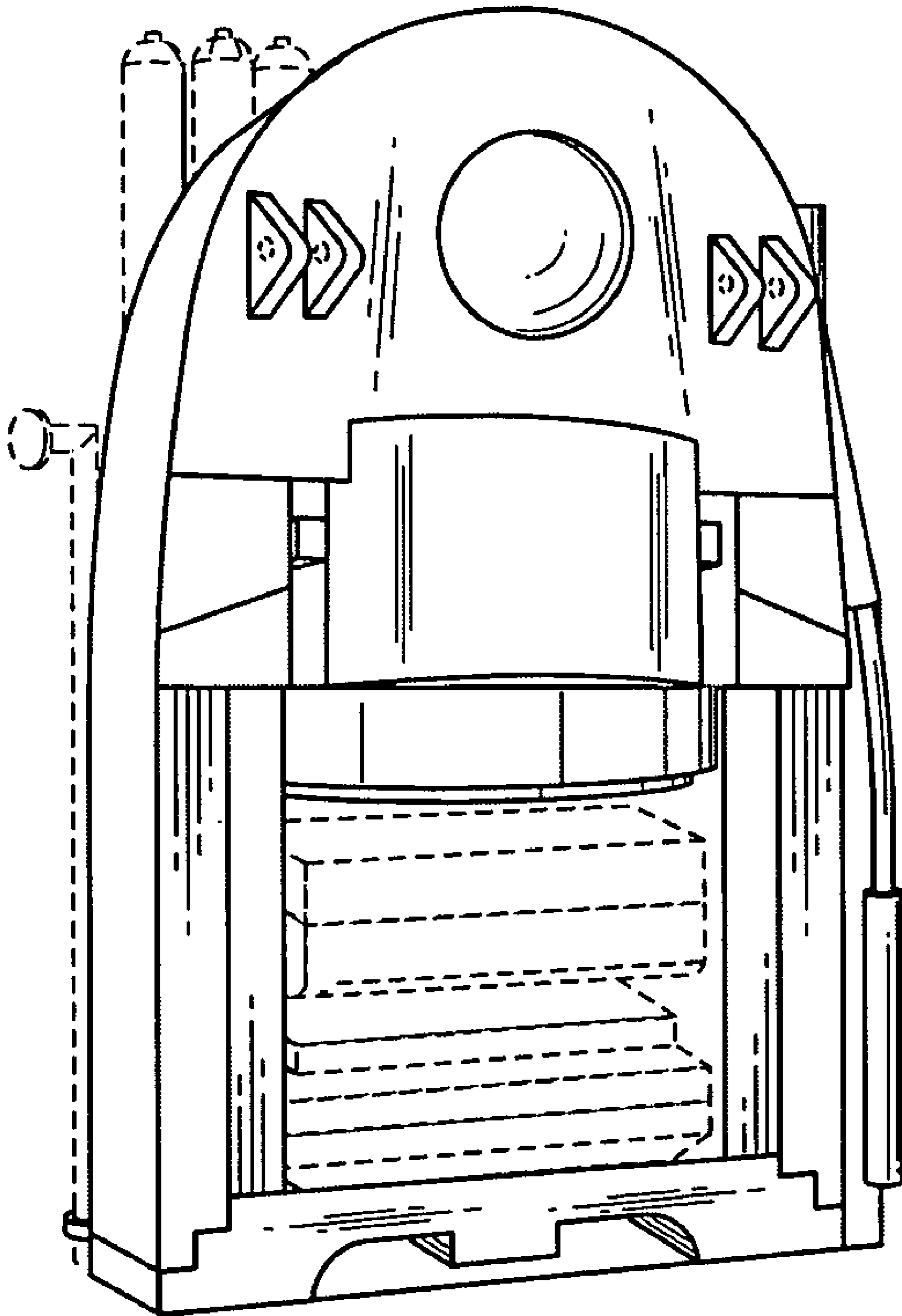


FIG. 7

UNITED STATES PATENT AND TRADEMARK OFFICE  
**CERTIFICATE OF CORRECTION**

PATENT NO. : Des. 611,071 S  
APPLICATION NO. : 29/310244  
DATED : March 2, 2010  
INVENTOR(S) : Salieri

Page 1 of 1

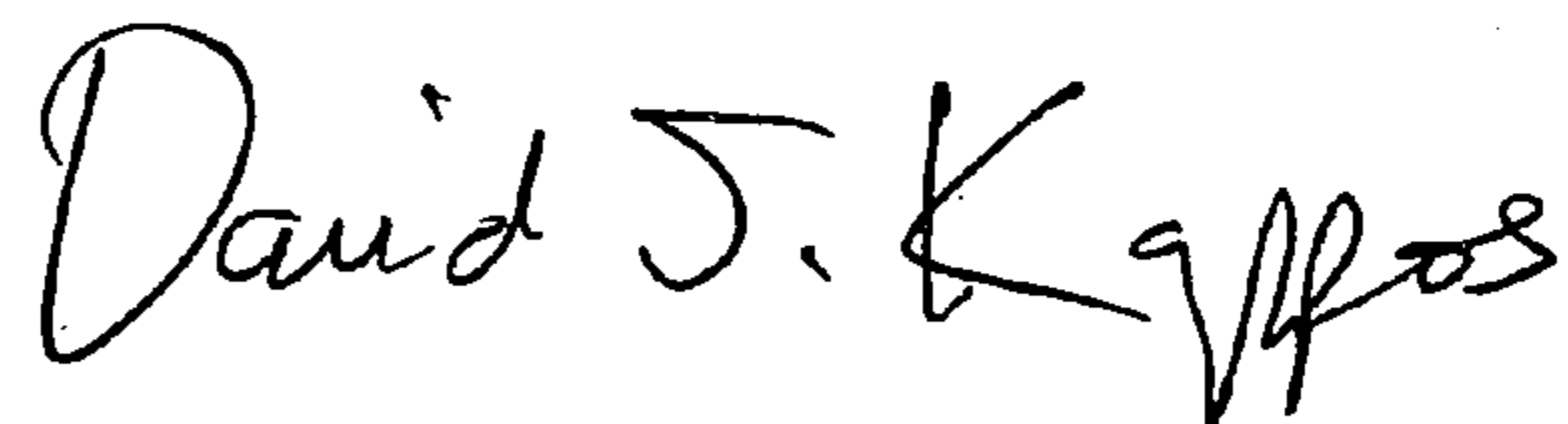
It is certified that error appears in the above-identified patent and that said Letters Patent is hereby corrected as shown below:

On the Title Page, item [30], please add the Claim of Priority of the Foreign Application  
Priority data as follows:

-- Sept. 27, 2006 (IT) ..... MO2006O000010 --.

Signed and Sealed this

Sixteenth Day of November, 2010



David J. Kappos  
*Director of the United States Patent and Trademark Office*