



US00D611070S

(12) **United States Design Patent**
Firth

(10) **Patent No.:** **US D611,070 S**
(45) **Date of Patent:** **** Mar. 2, 2010**

(54) **SAW POWER TOOL**

(75) Inventor: **Robert Firth**, York (GB)

(73) Assignee: **Power Box AG**, Zug (CH)

(**) Term: **14 Years**

(21) Appl. No.: **29/317,329**

(22) Filed: **Apr. 28, 2008**

(30) **Foreign Application Priority Data**

Nov. 6, 2007 (GB) 4005178

(51) **LOC (9) Cl.** **15-09**

(52) **U.S. Cl.** **D15/133**

(58) **Field of Classification Search** D8/64,
D8/66, 67, 69, 70; D15/127, 133, 134; 30/377,
30/378, 388-391, 517-525; 83/471.2, 471.3,
83/472, 477.1, 477.2, 581

See application file for complete search history.

(56) **References Cited**

U.S. PATENT DOCUMENTS

4,350,066 A * 9/1982 Volk 83/763
4,817,581 A * 4/1989 Trentadue 125/14
D331,762 S * 12/1992 Matt D15/127
5,842,400 A * 12/1998 McIntosh 83/477.2
D418,846 S * 1/2000 Chen D15/127
6,672,188 B2 * 1/2004 Lee 83/168
D486,165 S * 2/2004 Wright et al. D15/133

D508,928 S * 8/2005 Chen D15/133
D559,873 S * 1/2008 Wright et al. D15/133
2005/0257657 A1 * 11/2005 Lee 83/581
2007/0245872 A1 * 10/2007 Kelly 83/581
2008/0245205 A1 * 10/2008 Waddell 83/471.2
2008/0276773 A1 * 11/2008 Togare 83/34

* cited by examiner

Primary Examiner—Sandra Snapp

Assistant Examiner—Patricia Palasik

(74) *Attorney, Agent, or Firm*—Woodard, Emhardt, Moriarty,
McNett & Henry LLP

(57) **CLAIM**

The ornamental design for a saw power tool, as shown and described.

DESCRIPTION

FIG. 1 is a perspective view of a saw power tool showing my new design;

FIG. 2 is a top view thereof;

FIG. 3 is an enlarged right end view thereof of FIG. 1;

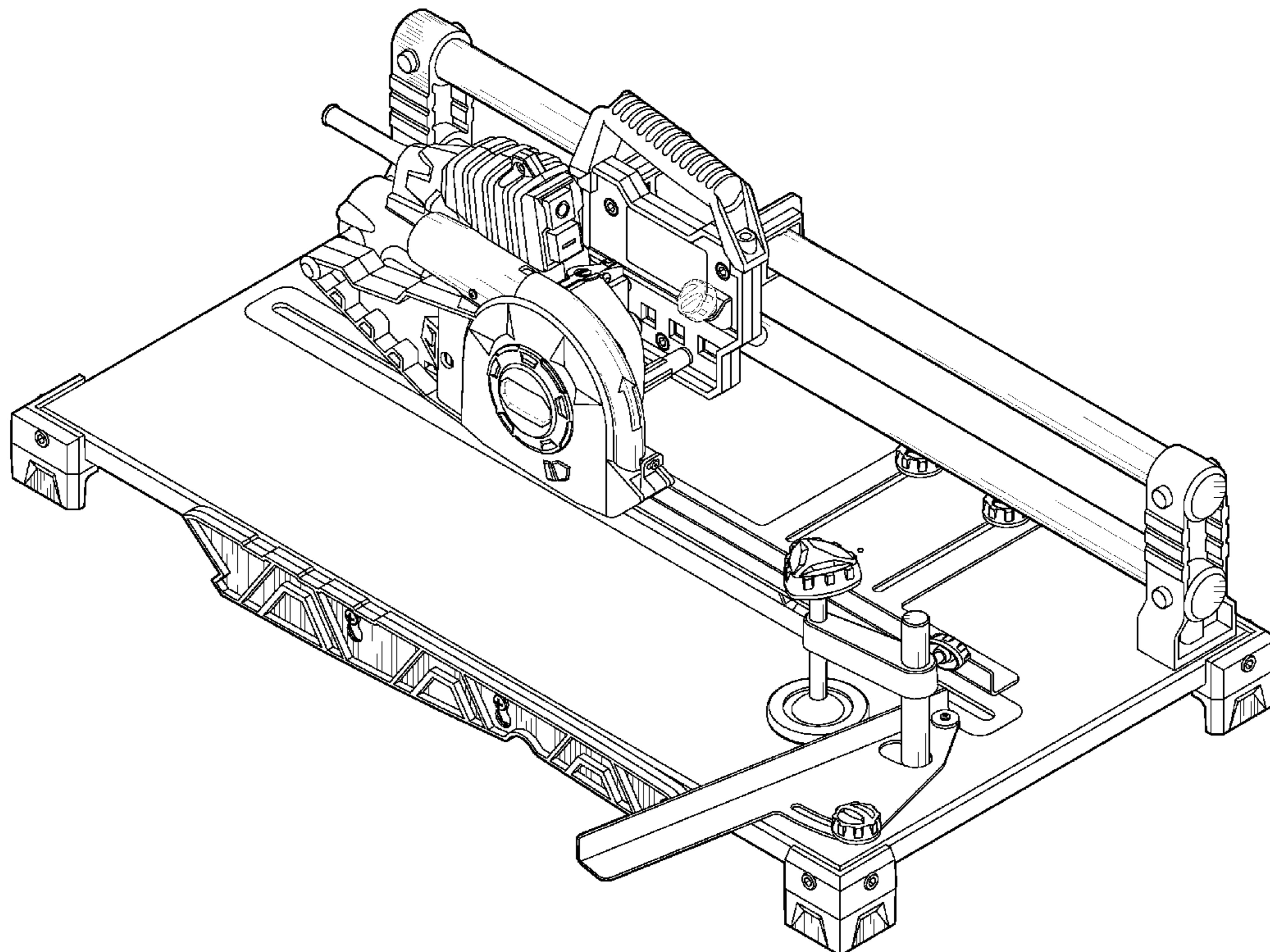
FIG. 4 is an enlarged left end view thereof;

FIG. 5 is a front view thereof; and,

FIG. 6 is a rear view thereof.

The broken lines in the drawings depict unclaimed environmental subject matter.

1 Claim, 6 Drawing Sheets



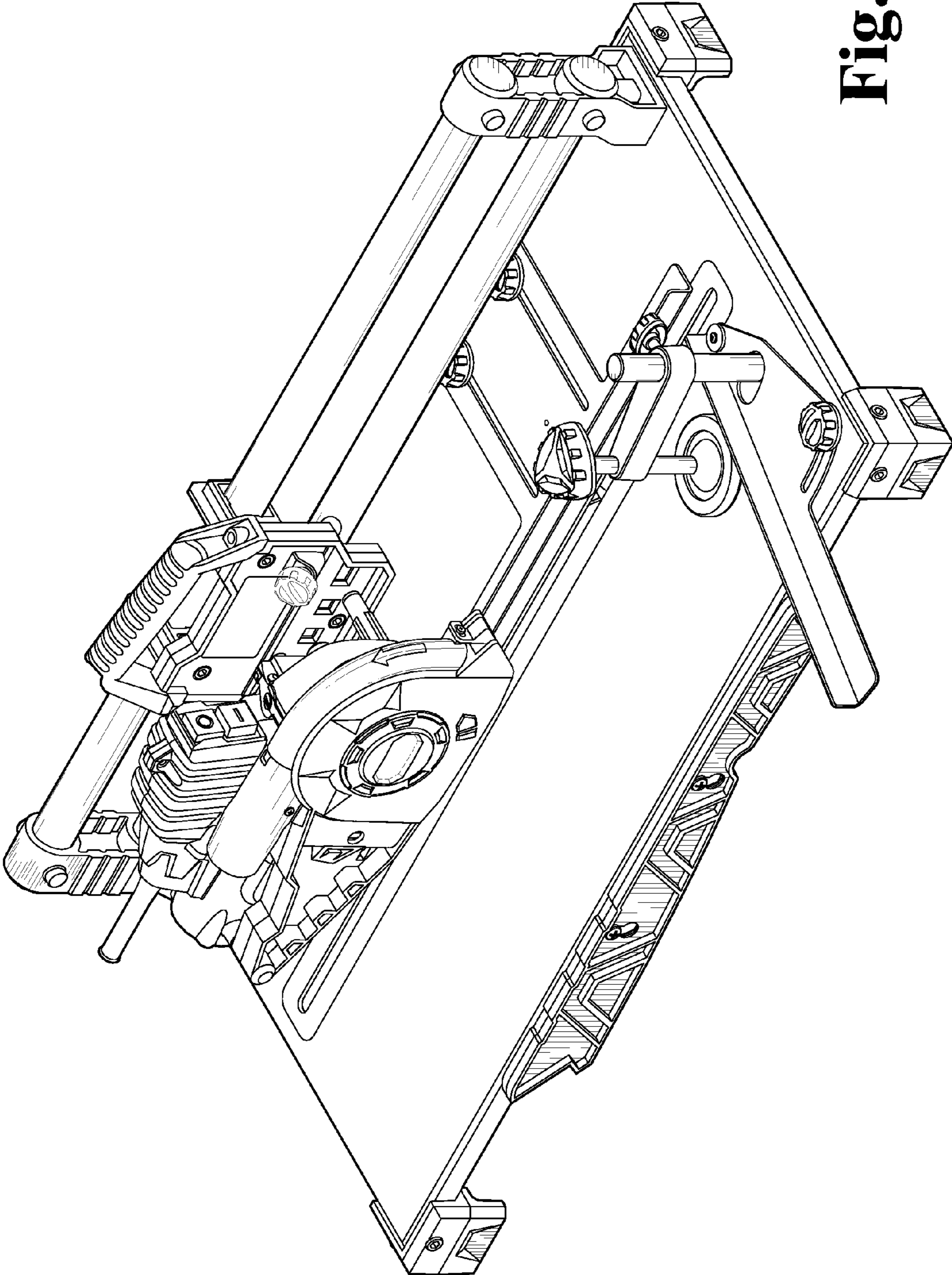


Fig. 1

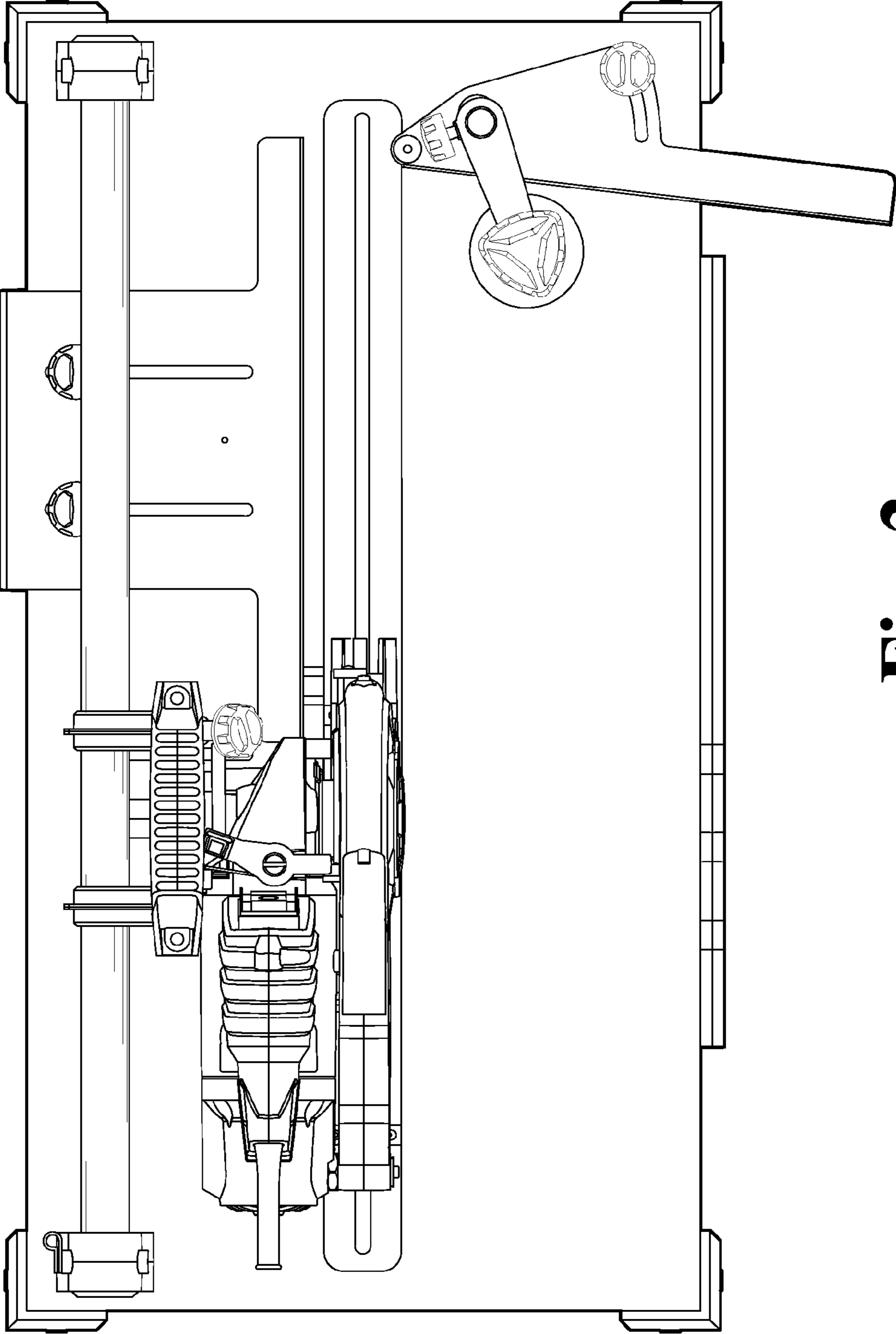


Fig. 2

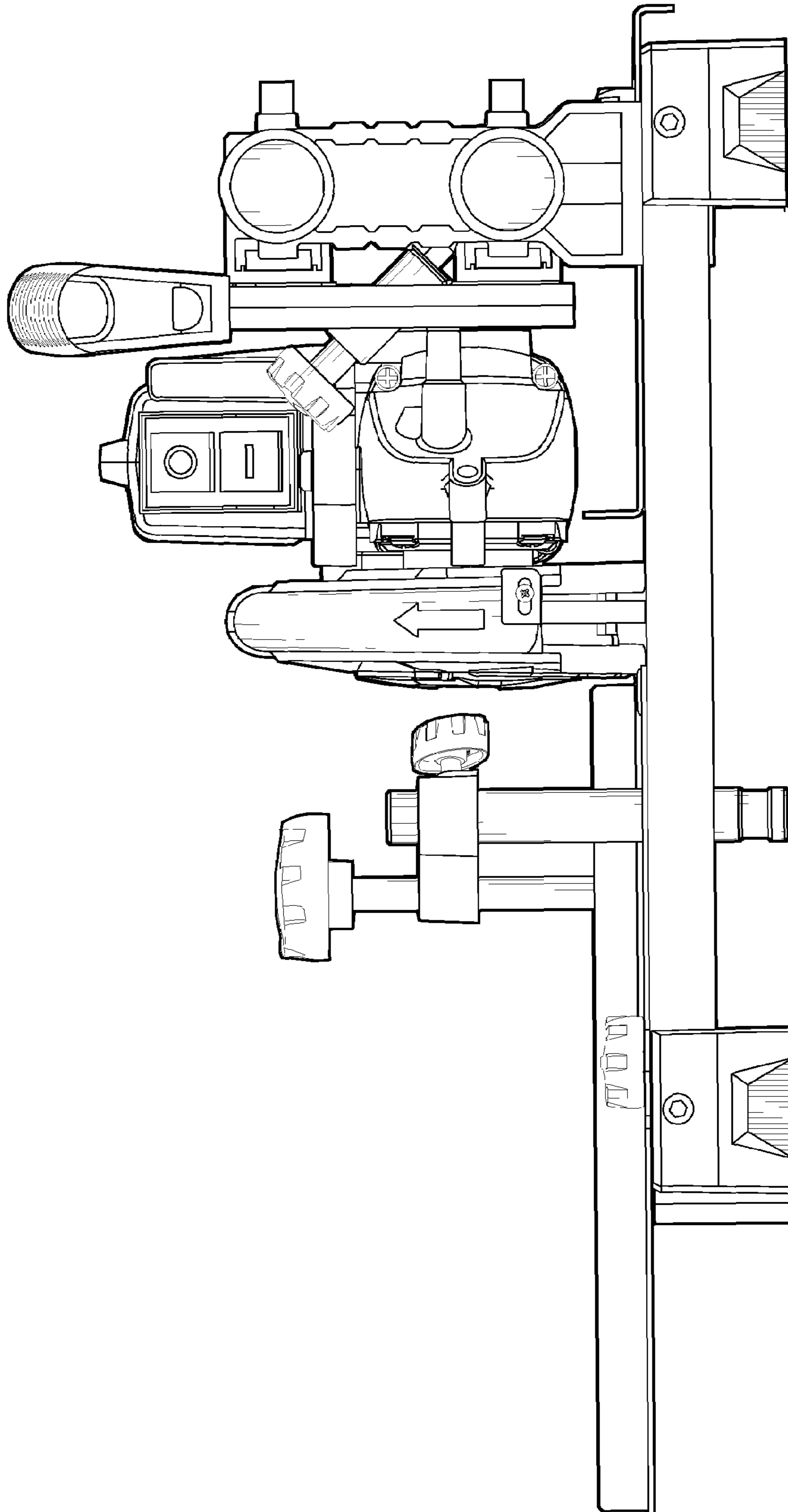


Fig. 3

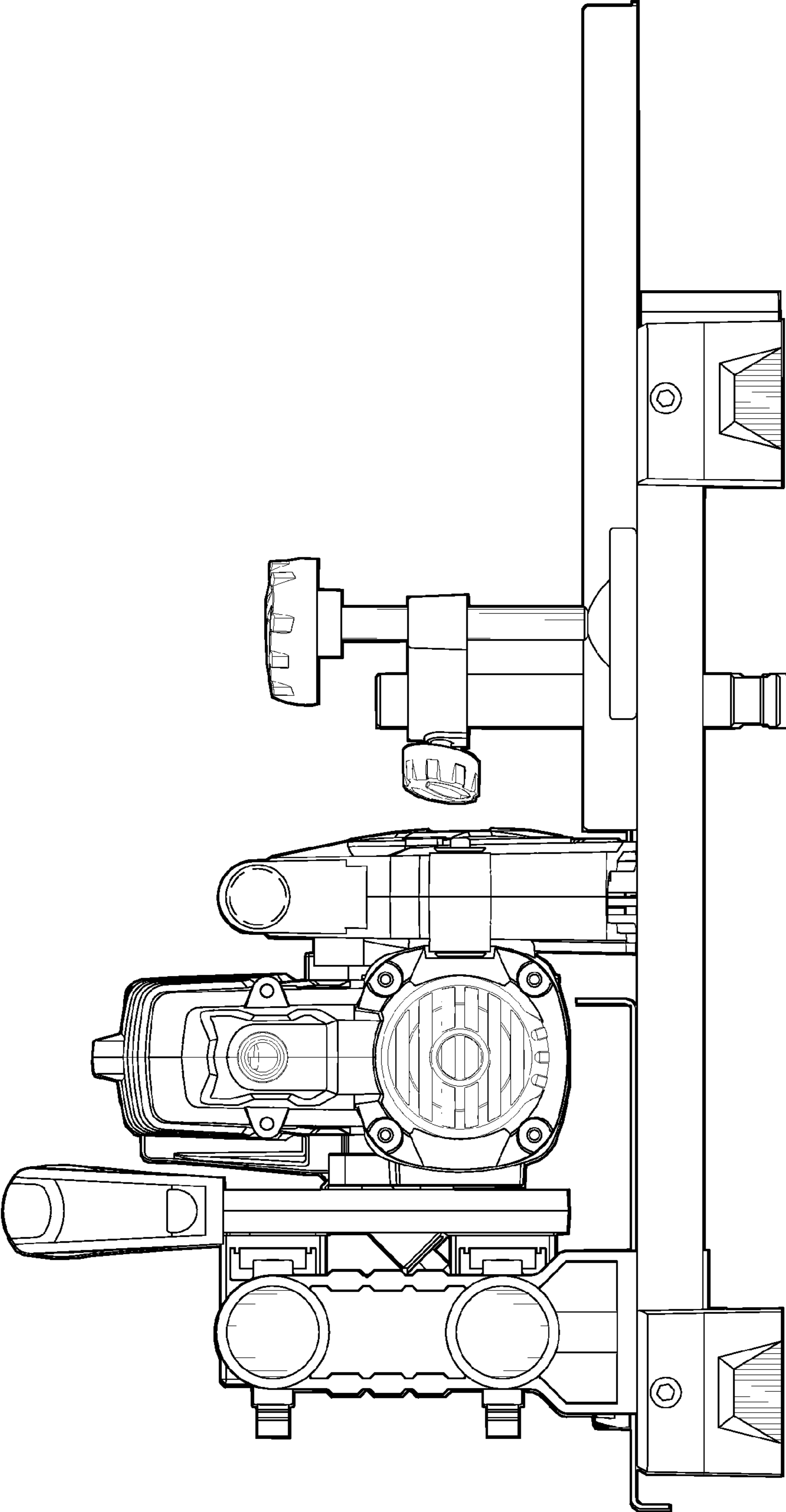


Fig. 4

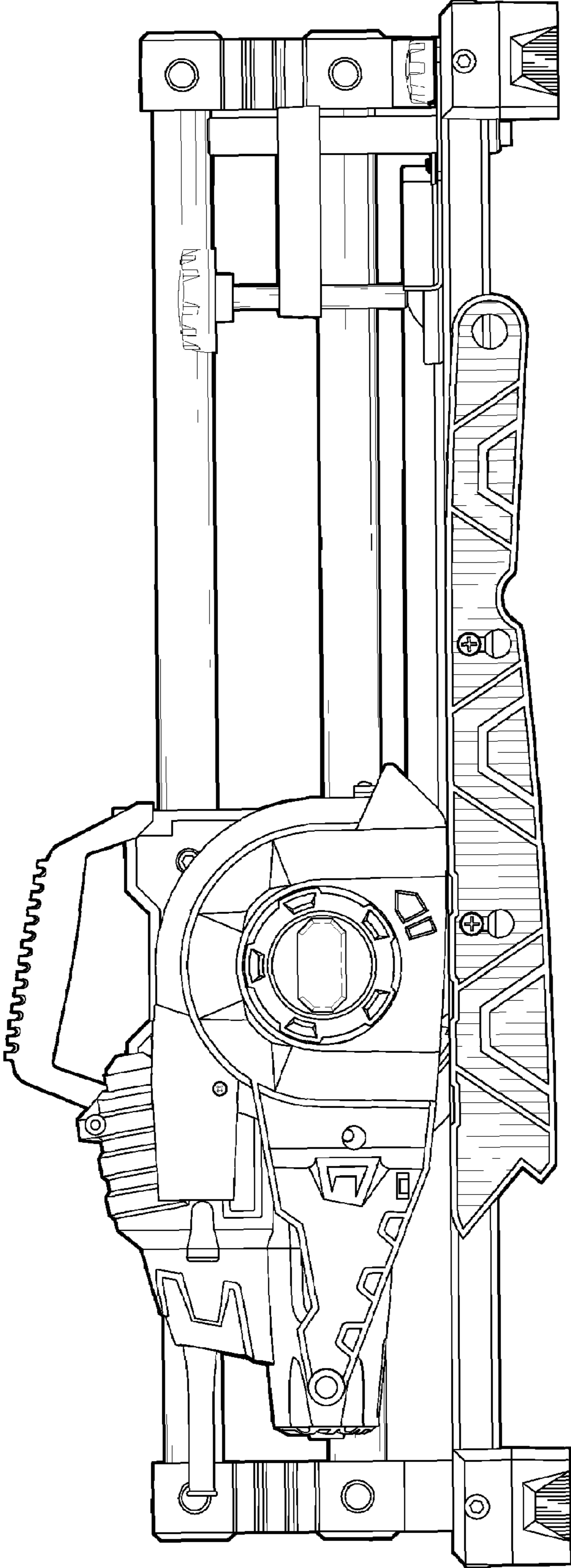


Fig. 5

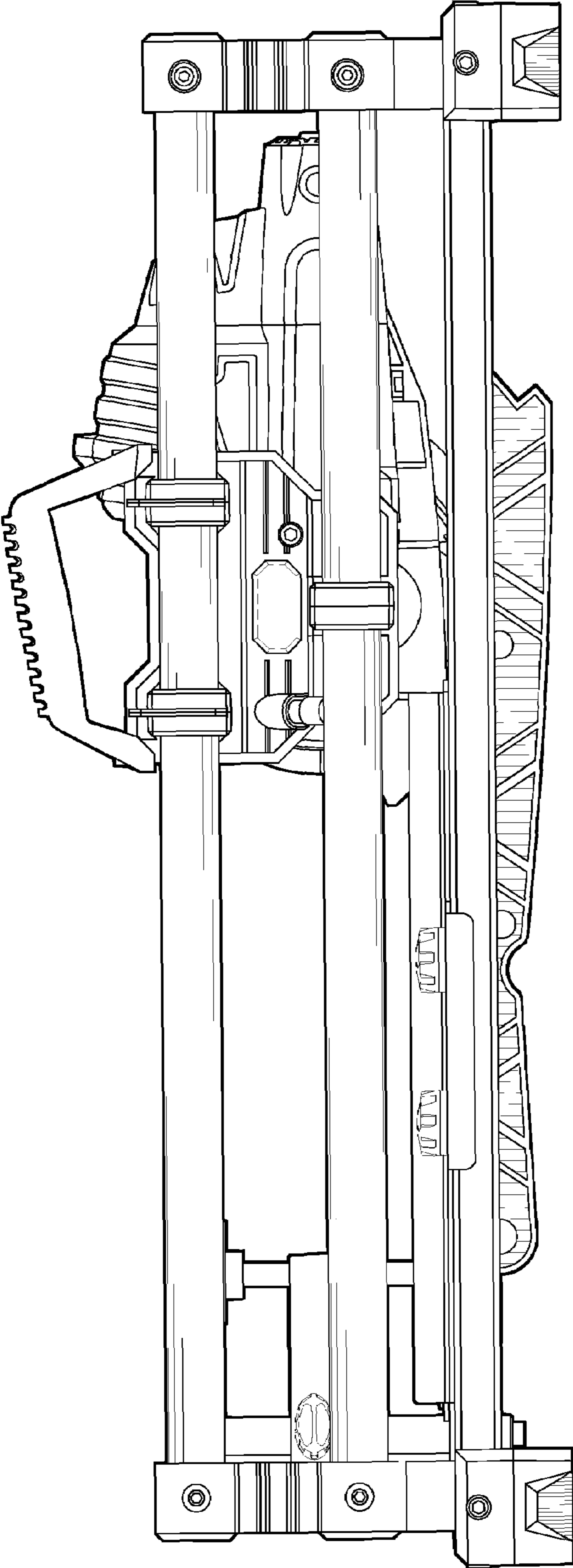


Fig. 6