



US00D611068S

(12) **United States Design Patent**
Currie et al.

(10) **Patent No.:** **US D611,068 S**
(45) **Date of Patent:** **** Mar. 2, 2010**

(54) **BALE FEEDER**

(75) Inventors: **Stephen Henry Currie**, Hastings (NZ);
James Robert Currie, Hastings (NZ)

(73) Assignees: **Denise Marjorie Currie**, Hastings (NZ);
Valerie Kathryn Currie, Hastings (NZ)

(**) Term: **14 Years**

(21) Appl. No.: **29/292,022**

(22) Filed: **Sep. 24, 2007**

(51) **LOC (9) Cl.** **15-03**

(52) **U.S. Cl.** **D15/10**

(58) **Field of Classification Search** D15/10,
D15/28; 414/111, 24.6, 757, 546, 24.5, 25,
414/911; 198/813; 241/101.742, 30

See application file for complete search history.

(56) **References Cited**

U.S. PATENT DOCUMENTS

4,034,920	A *	7/1977	Bradley	241/101.76
4,044,967	A *	8/1977	Guichon	414/24.6
4,078,733	A *	3/1978	Popiolek	241/200
4,088,272	A *	5/1978	Grillot	241/30
4,195,958	A *	4/1980	Vahlkamp et al.	414/24.6
4,266,899	A *	5/1981	Skeem	414/24.6
4,376,607	A *	3/1983	Gibson	414/24.6
4,428,707	A *	1/1984	Cockle et al.	414/24.6

4,443,146	A *	4/1984	Duncan	414/24.6
4,498,830	A *	2/1985	Seymour et al.	414/24.6
4,545,716	A *	10/1985	Pearce	414/24.6
4,741,656	A *	5/1988	Bishop	414/24.6
5,203,658	A *	4/1993	Henderson	414/24.6
D450,062	S *	11/2001	Spiers	D15/10
6,533,520	B2 *	3/2003	Currie et al.	414/24.5
7,341,415	B2 *	3/2008	Roosma	414/24.6
2002/0018702	A1 *	2/2002	Stredwick et al.	414/111
2002/0154969	A1 *	10/2002	Currie et al.	414/24.6
2005/0220572	A1 *	10/2005	Roosma	414/24.6

* cited by examiner

Primary Examiner—Ian Simmons

Assistant Examiner—Mark A Goodwin

(74) *Attorney, Agent, or Firm*—Blakely, Sokoloff, Taylor & Zafman

(57) **CLAIM**

The ornamental design for a bale feeder, as shown and described.

DESCRIPTION

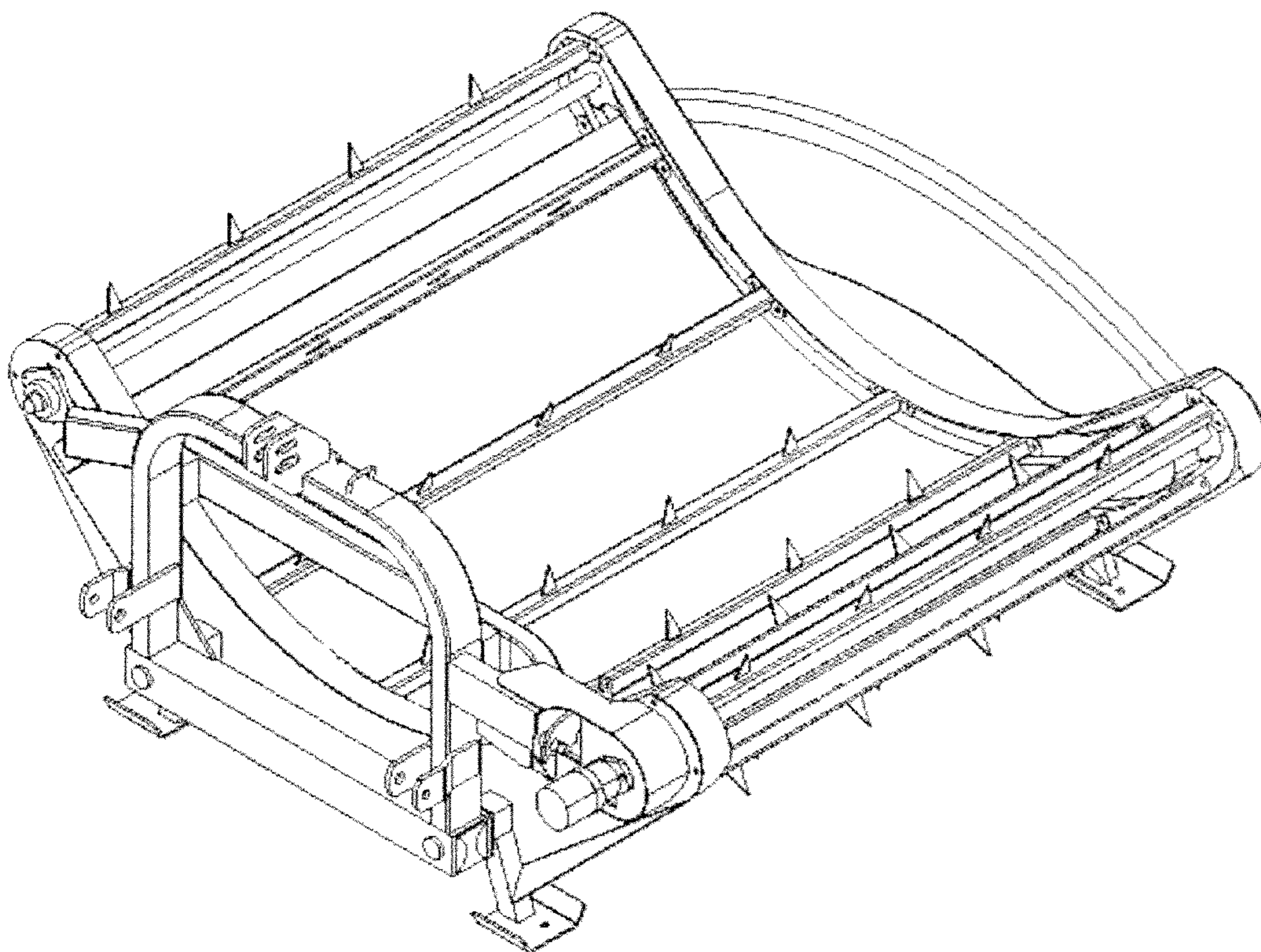
FIG. 1 is a front left top perspective view of a bale feeder showing our new design;

FIG. 2 is a top plan view thereof;

FIG. 3 is a left side elevation view thereof; and,

FIG. 4 is a rear elevation view thereof.

1 Claim, 4 Drawing Sheets



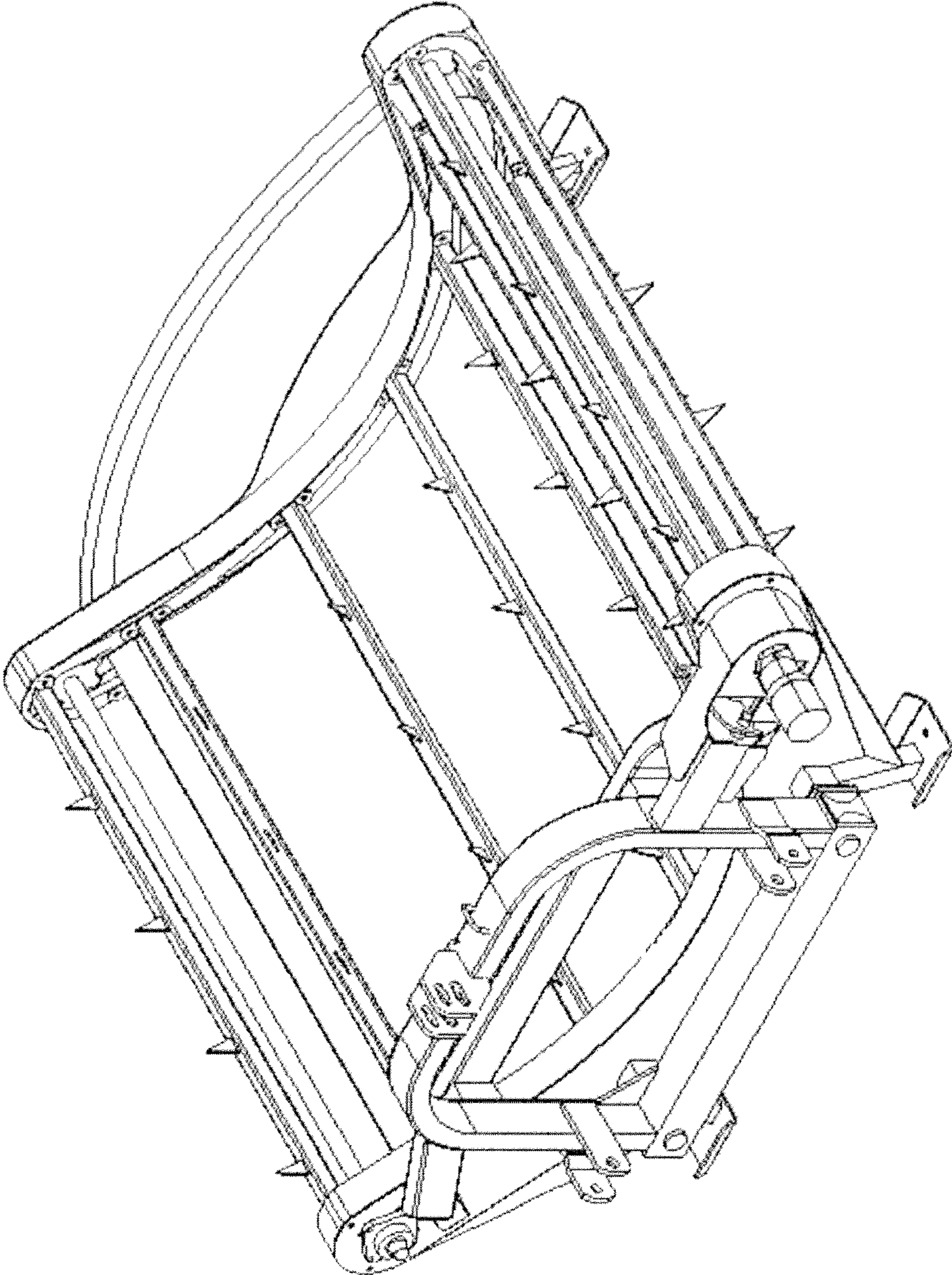


FIGURE 1

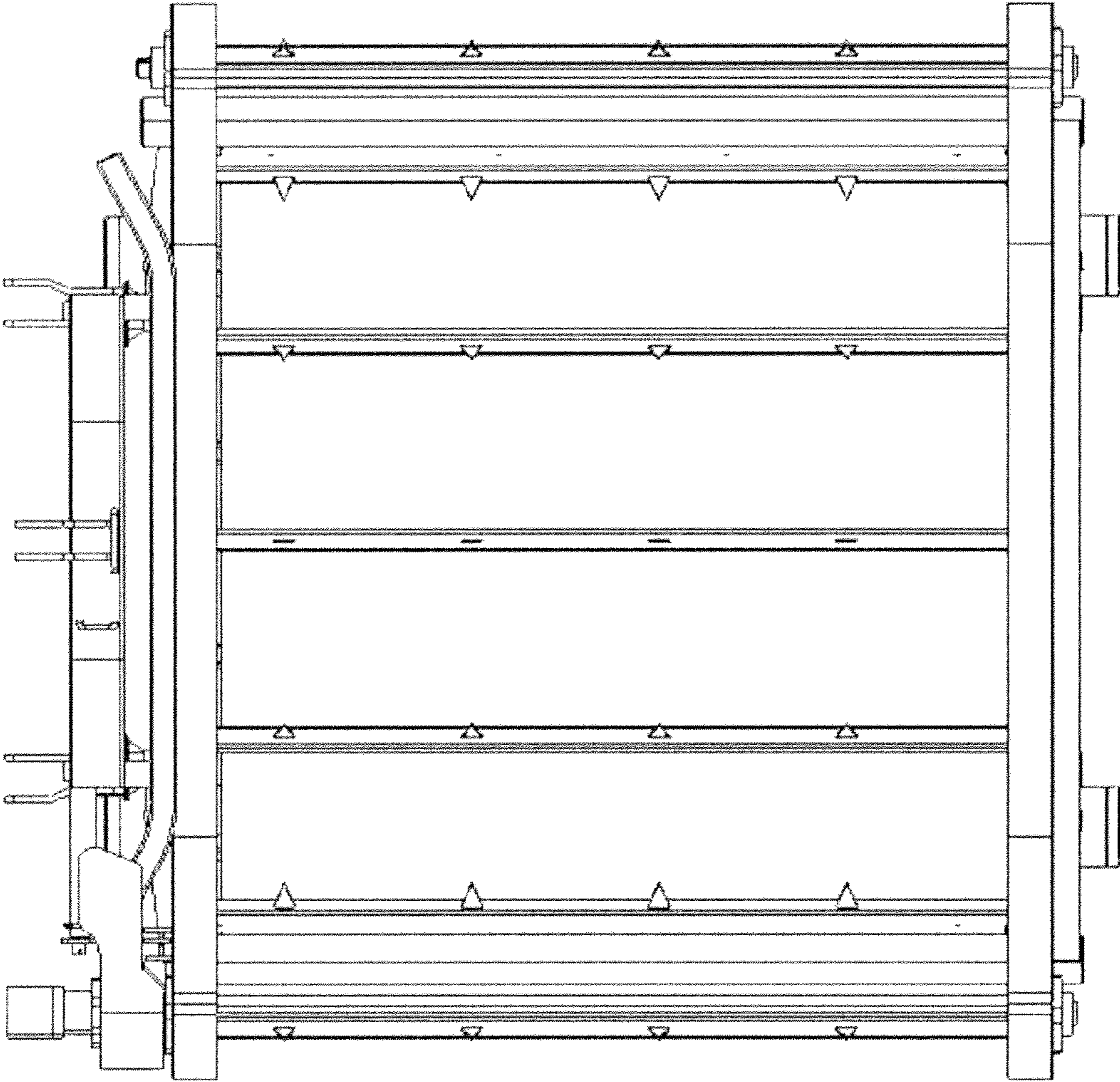


FIGURE 2

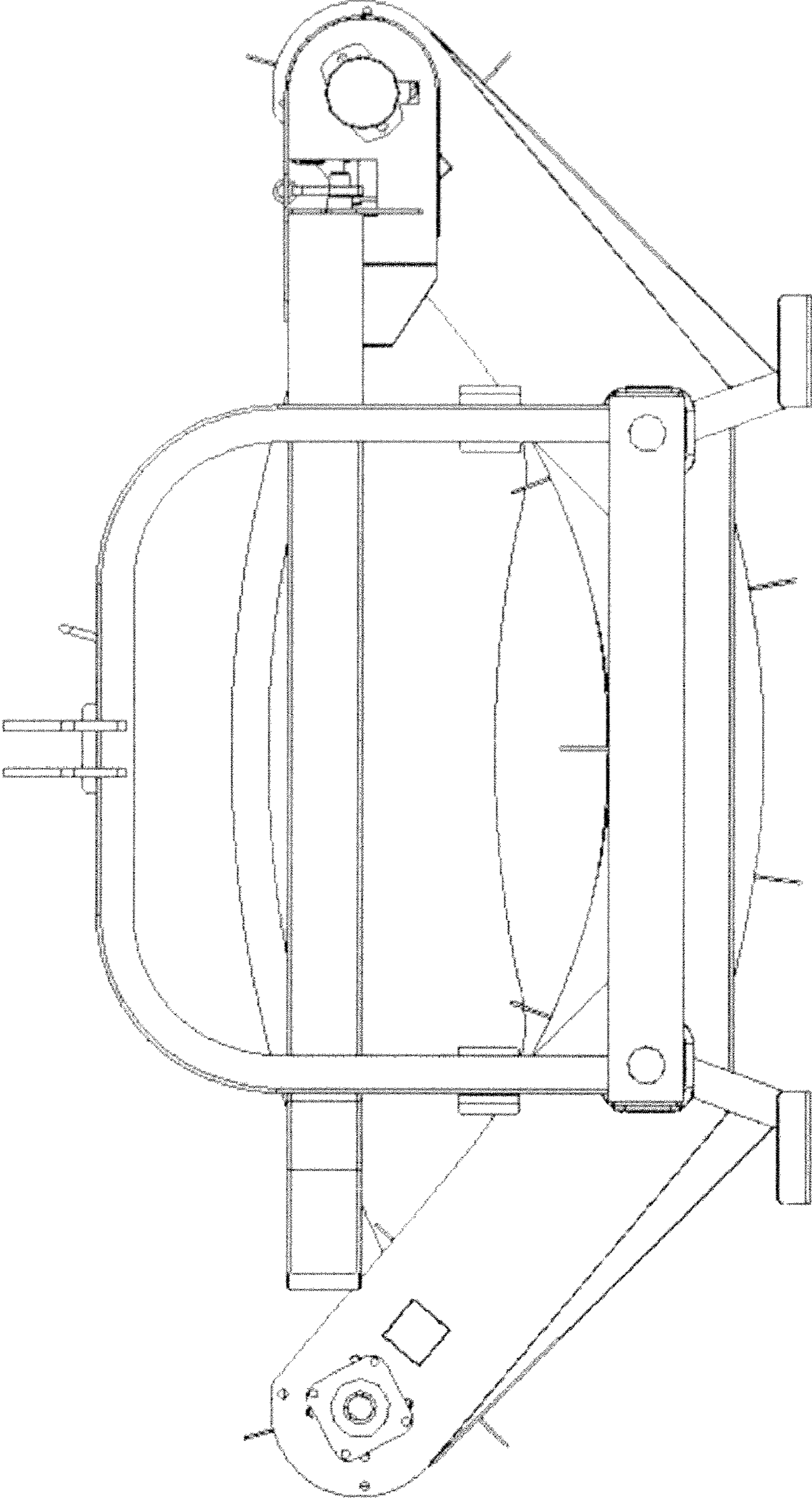


FIGURE 3

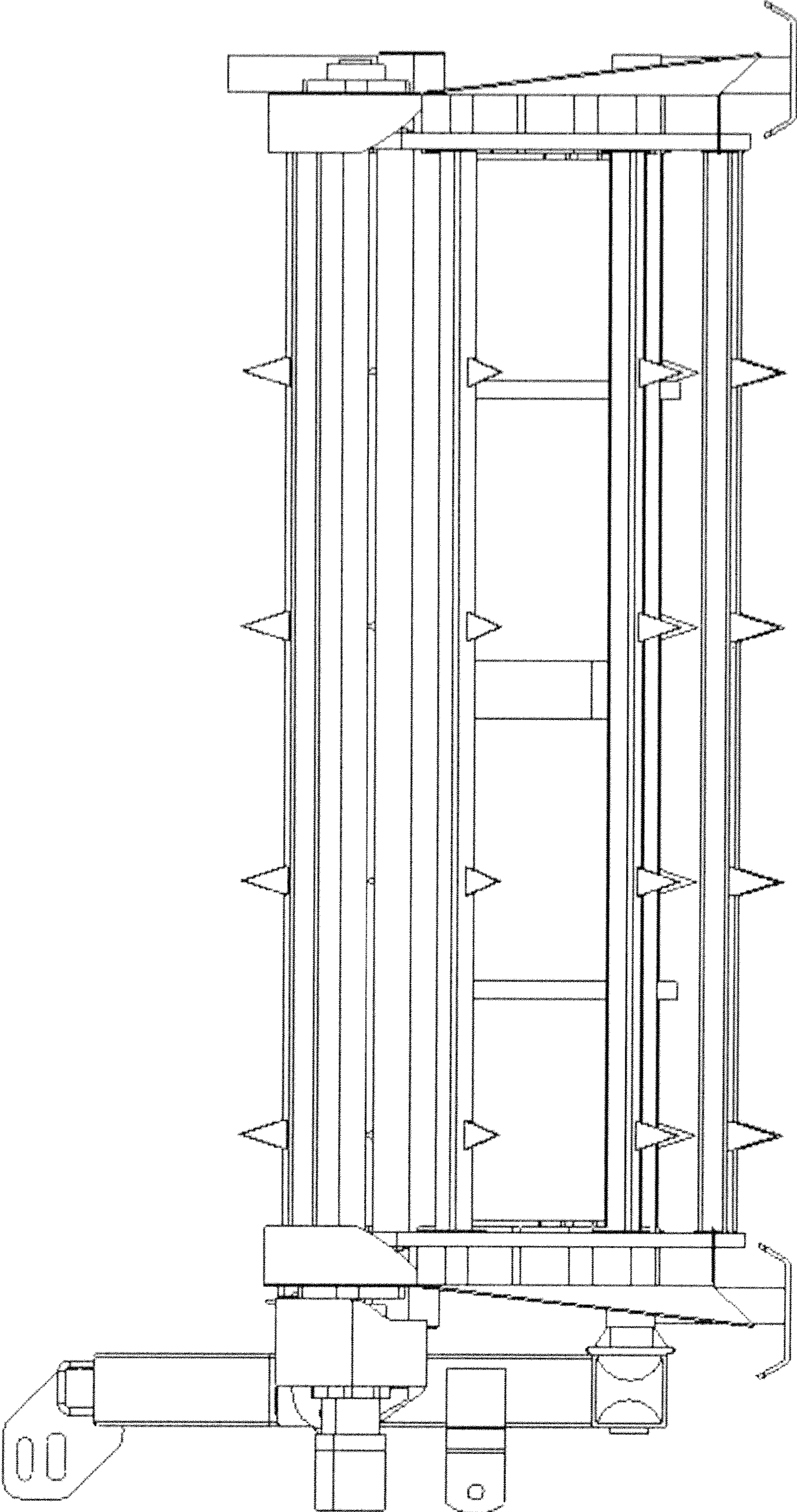


FIGURE 4