



US00D611067S

(12) **United States Design Patent**
Sweningson

(10) **Patent No.:** **US D611,067 S**
(45) **Date of Patent:** **** Mar. 2, 2010**

(54) **PORTABLE LEVEE SYSTEM**

(75) Inventor: **Roger Sweningson**, 34064 Highway 47
NW., Cambridge, MN (US) 55008

(73) Assignee: **Roger Sweningson**, Cambridge, MN
(US)

(**) Term: **14 Years**

(21) Appl. No.: **29/273,425**

(22) Filed: **Mar. 5, 2007**

3,636,863 A	1/1972	Woyden	
3,908,538 A	9/1975	Boyd	
4,424,740 A	1/1984	Gwathney et al.	
4,484,606 A	11/1984	Kosters	
4,819,701 A *	4/1989	Thornton	141/231
5,046,304 A *	9/1991	Alameda et al.	53/570
D320,800 S *	10/1991	Johnson et al.	D15/27
5,142,846 A *	9/1992	Alameda	53/506

(Continued)

FOREIGN PATENT DOCUMENTS

DE	3135885	3/1983
----	---------	--------

(Continued)

Related U.S. Application Data

(63) Continuation of application No. 10/837,897, filed on
May 3, 2004, now abandoned.

(51) **LOC (9) Cl.** **15-03**

(52) **U.S. Cl.** **D15/10; D15/27**

(58) **Field of Classification Search** D15/10,
D15/19, 21, 27; 405/52, 80, 107, 116, 117,
405/124; 141/10-12, 360, 313, 231-233,
141/311 R, 314, 331-333, 317, 94, 73, 67,
141/68, 71; 222/160, 608, 642; 280/845;
298/24, 25, 8 H

See application file for complete search history.

Primary Examiner—Ian Simmons
Assistant Examiner—Mark A Goodwin
(74) *Attorney, Agent, or Firm*—Patterson, Thunte, Skaar &
Christensen, PA

(57) **CLAIM**

I claim the ornamental design for portable levee system, as
shown and described.

(56) **References Cited**

U.S. PATENT DOCUMENTS

2,130,005 A	9/1938	Gay	
2,299,702 A *	10/1942	Mosel	220/553
2,811,178 A	10/1957	Cunningham	
3,093,271 A	6/1963	Douglas	
3,140,735 A	7/1964	Windle	
3,211,193 A	10/1965	Anderson	
3,253,537 A	5/1966	Porter et al.	
3,481,268 A	12/1969	Price et al.	
3,541,949 A	11/1970	Clar	
3,563,168 A	2/1971	Doninger	
3,604,345 A	9/1971	Boje	
3,608,346 A	9/1971	Price et al.	
3,611,673 A	10/1971	Carkhuff	
3,613,588 A	10/1971	Math	

DESCRIPTION

FIG. 1 is a side view of a portable levee system in accordance
with the present invention.

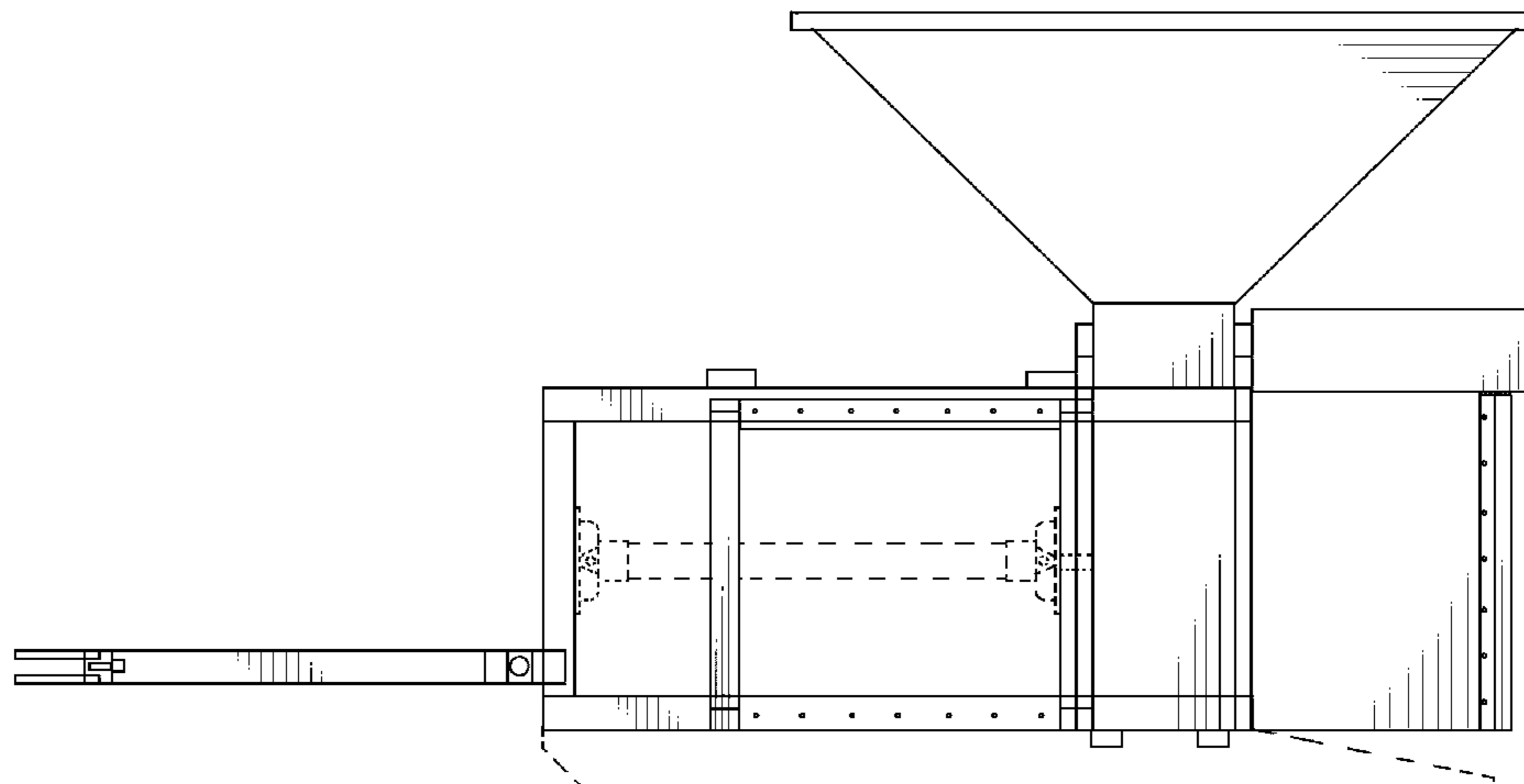
FIG. 2 is a top view of a portable levee system of the present
invention.

FIG. 3 is a rear perspective view of a portable levee system of
the present invention; and,

FIG. 4 is a front view of a portable levee system of the present
invention.

The portions of the figures shown in broken lines are for
illustrative purposes and form no part of the claimed design.

1 Claim, 3 Drawing Sheets



US D611,067 S

Page 2

U.S. PATENT DOCUMENTS

5,425,403 A * 6/1995 Herrmann 141/314
D366,266 S * 1/1996 Blair et al. D15/27
5,724,793 A 3/1998 Inman et al.
5,740,950 A * 4/1998 Kanzler et al. 222/238
5,894,871 A 4/1999 Greer
5,901,762 A 5/1999 Rollins
6,112,956 A * 9/2000 Malone 222/642
6,119,740 A * 9/2000 Wilham et al. 141/391
6,145,709 A * 11/2000 Hogan et al. 222/278
6,390,154 B1 * 5/2002 Hall 141/314
6,431,407 B1 * 8/2002 Hogan et al. 222/278
6,598,374 B1 * 7/2003 Ensor 53/455
6,598,629 B2 * 7/2003 Malone et al. 141/231

6,637,474 B2 * 10/2003 Hall 141/231
6,776,198 B1 * 8/2004 Haines et al. 141/10
6,866,073 B1 3/2005 Meixelsperger et al.
2003/0140983 A1 * 7/2003 Ensor 141/314
2004/0112461 A1 * 6/2004 Floore et al. 141/231
2004/0261890 A1 * 12/2004 Sweningson 141/10

FOREIGN PATENT DOCUMENTS

GB 2028222 3/1980
GB 2083777 3/1982
JP 53-38174 4/1978
JP 4-311402 11/1992

* cited by examiner

Fig. 1

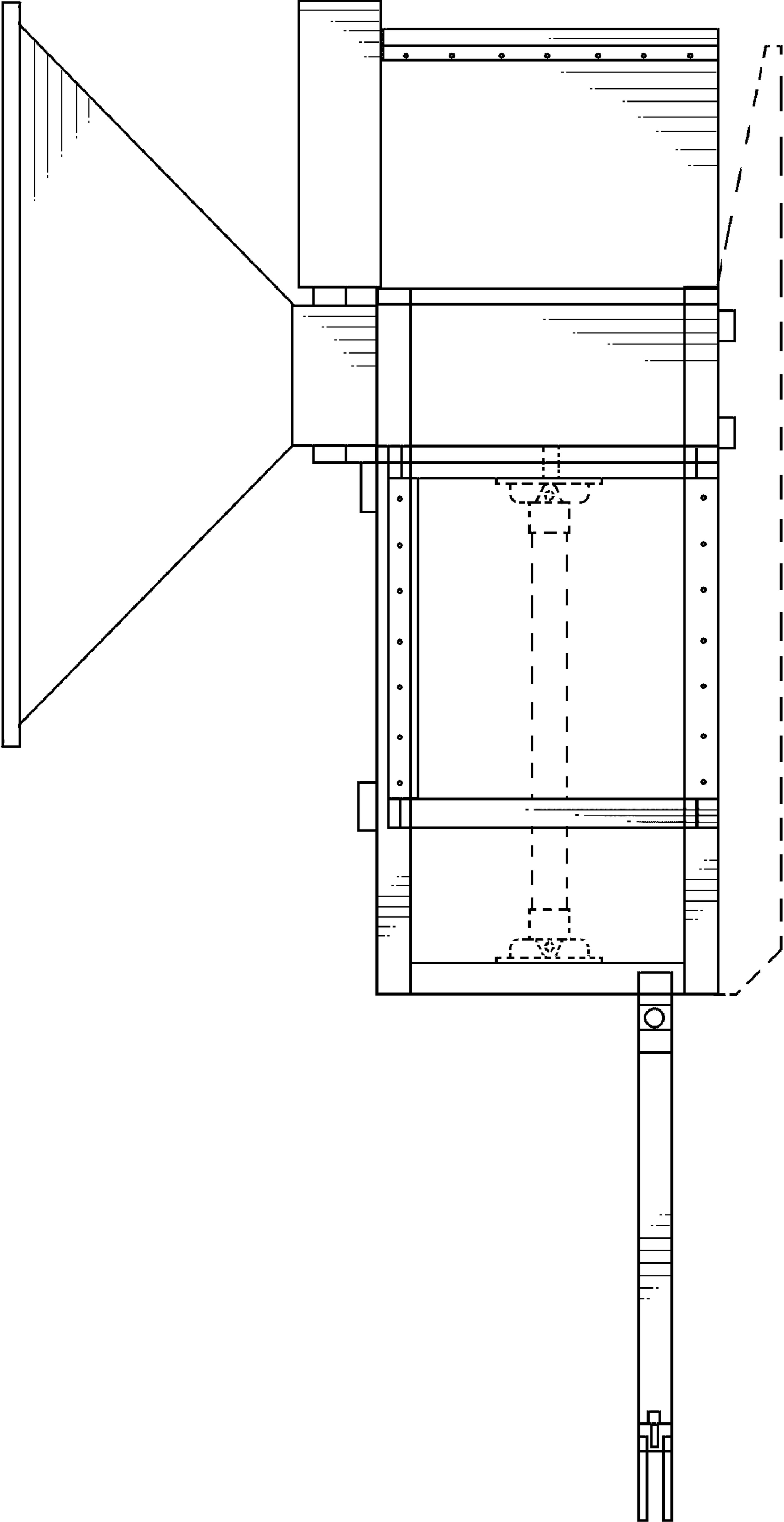


Fig. 2

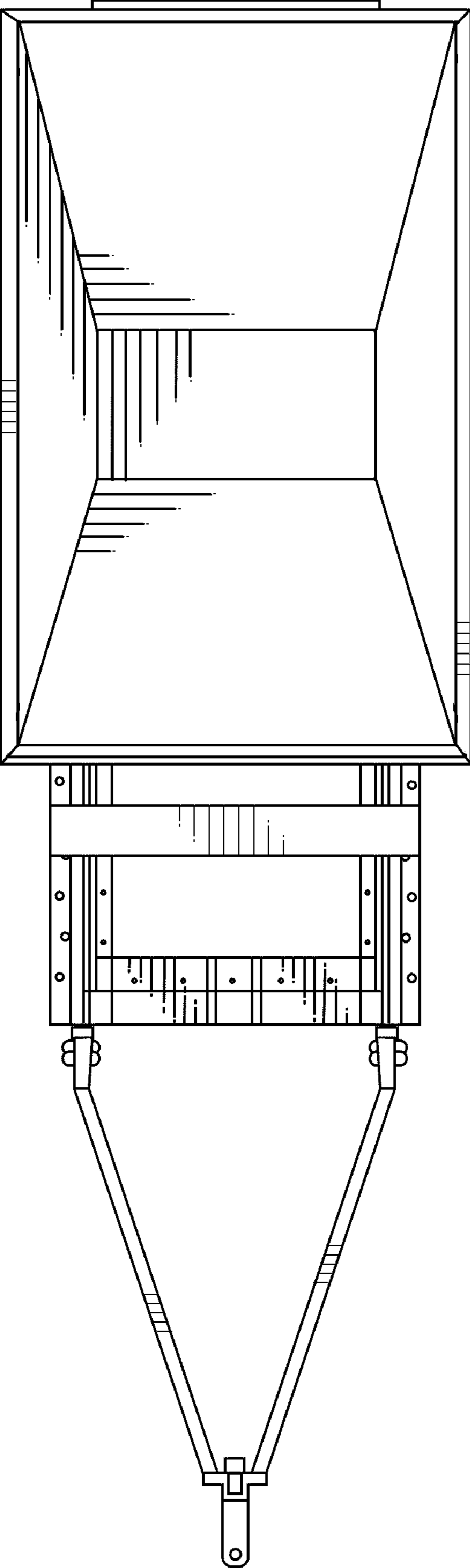


Fig. 3

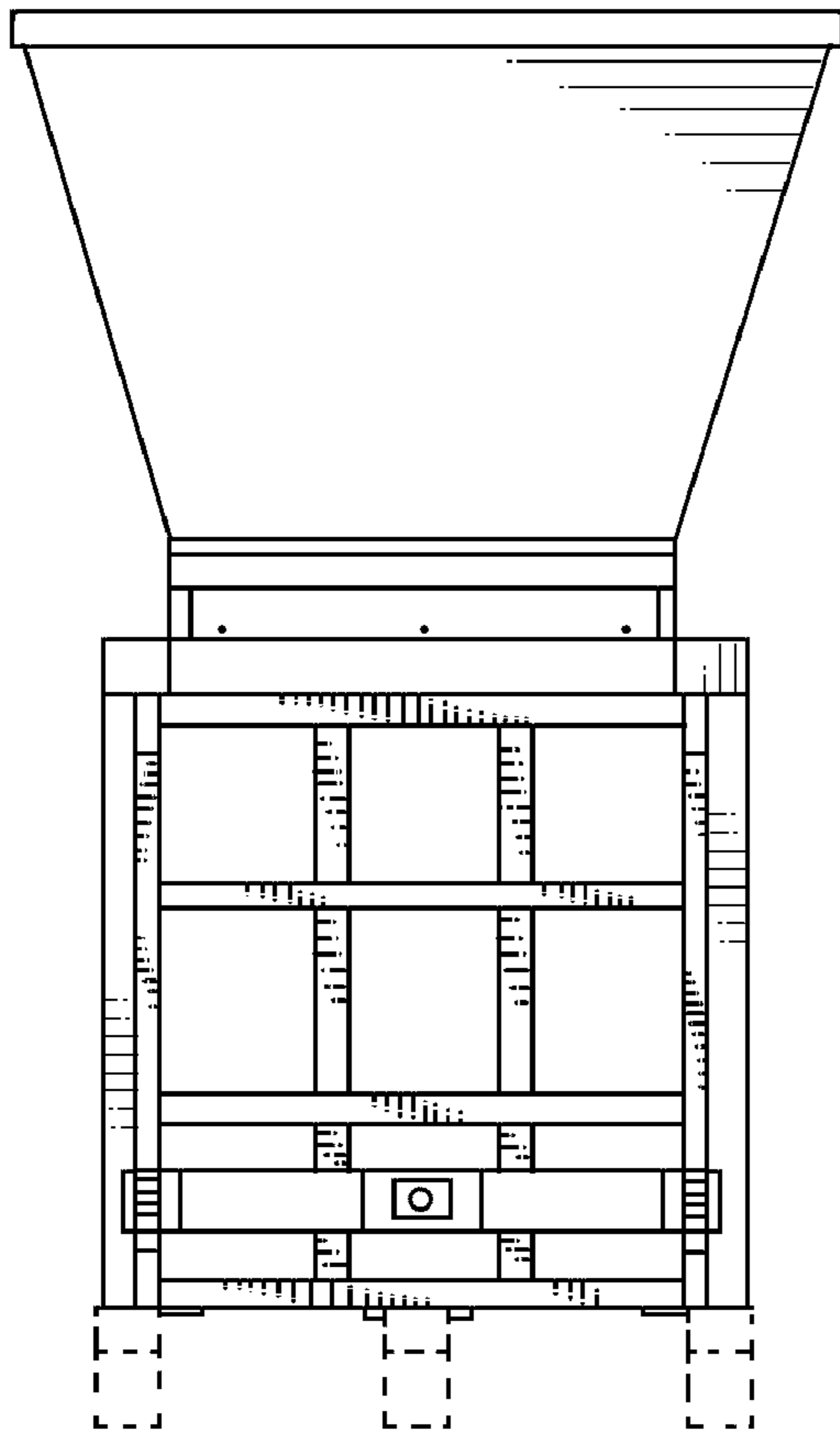


Fig. 4

