



US00D611066S

(12) **United States Design Patent**
Foreman

(10) **Patent No.:** **US D611,066 S**
(45) **Date of Patent:** **** Mar. 2, 2010**

(54) **EXPPELLER RING FOR A PUMP**

D603,874 S * 11/2009 Chu D15/9

(75) Inventor: **Michael Christopher Foreman,**
Northmead (AU)

* cited by examiner

Primary Examiner—Ralf Seifert

(73) Assignee: **Weir Minerals Australia, Ltd.,**
Artarmon, NSW (AU)

(74) *Attorney, Agent, or Firm*—Morriss O'Bryant Compagni

(**) Term: **14 Years**

(57) **CLAIM**

(21) Appl. No.: **29/313,845**

The ornamental design for the expeller ring for a pump, as shown and described herein.

(22) Filed: **Feb. 13, 2009**

DESCRIPTION

(30) **Foreign Application Priority Data**

FIG. 1 is a perspective view of the expeller ring depicting an outer side;

Aug. 14, 2008 (AU) 13893/2008

FIG. 2 is an elevation view of the outer side of the expeller ring shown in FIG. 1;

(51) **LOC (9) Cl.** **15-02**

FIG. 3 is an elevation view of the expeller ring shown in FIG. 2, rotated 180°, illustrating the inner side of the expeller ring;

(52) **U.S. Cl.** **D15/7**

(58) **Field of Classification Search** D15/7-9;
D23/231, 232, 225; 417/410.1, 359, 415-416,
417/234, 321, 265, 405

FIG. 4 is a side view of the expeller ring shown in FIG. 2 rotated 90° to the left;

See application file for complete search history.

FIG. 5 is a side view of the expeller ring shown in FIG. 4 rotated 180°;

(56) **References Cited**

U.S. PATENT DOCUMENTS

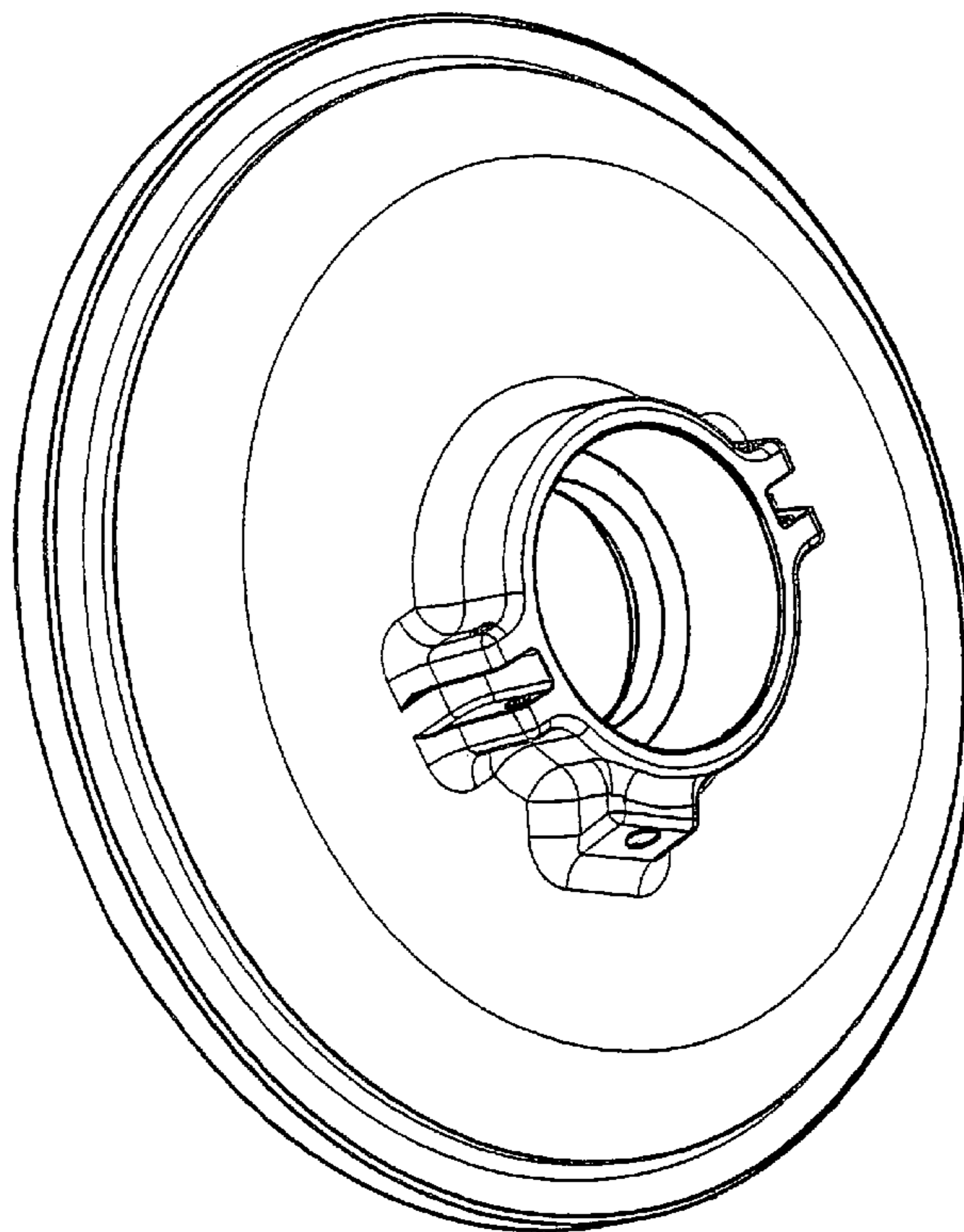
- D273,383 S * 4/1984 Griggs, Jr. D15/7
- D469,111 S * 1/2003 Morita et al. D15/9
- D490,819 S * 6/2004 Wahlberg D15/7
- D582,441 S * 12/2008 Shimomura et al. D15/7
- D583,391 S * 12/2008 Metcalfe D15/7
- D586,825 S * 2/2009 Cantrill et al. D15/7
- D586,826 S * 2/2009 Cantrill et al. D15/7

FIG. 6 is a side view of the expeller ring shown in FIG. 2 rotated horizontally 90° (x-axis) and then vertically 90° (y-axis);

FIG. 7 is a side view of the expeller ring shown in FIG. 6 rotated vertically 180°; and,

FIG. 8 is a perspective view of the expeller ring depicting the inner side as shown in FIG. 3.

1 Claim, 8 Drawing Sheets



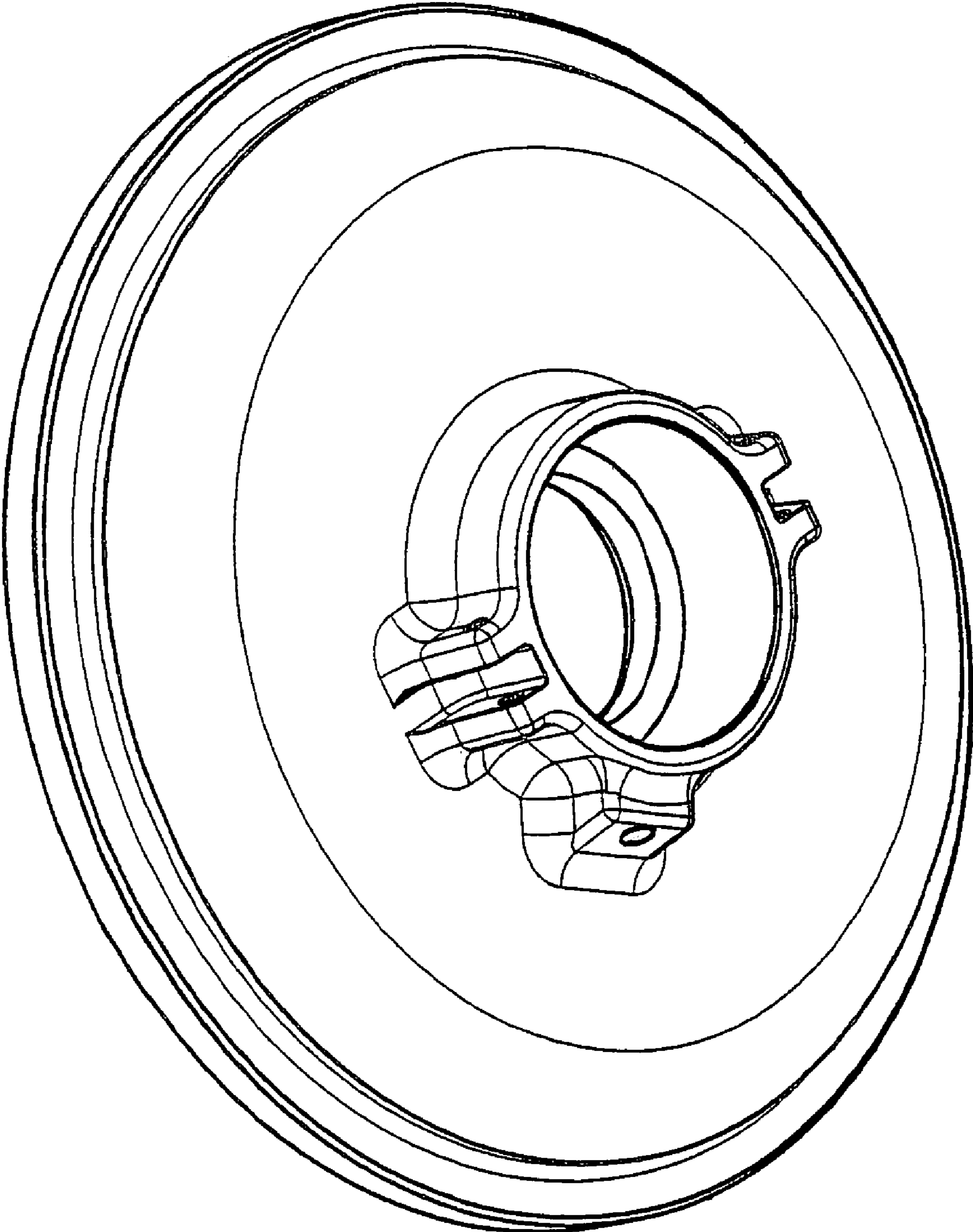


FIG. 1

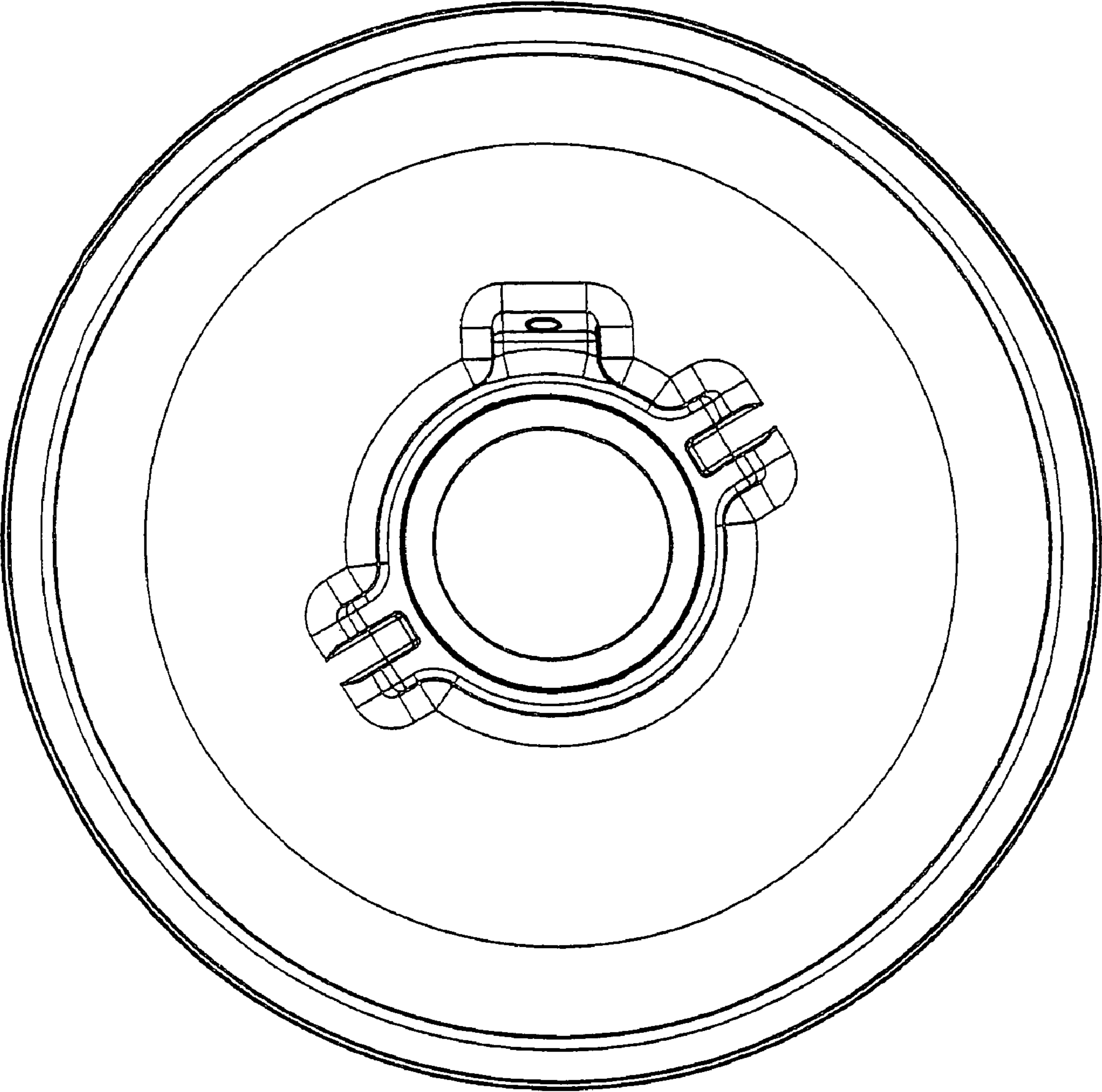


FIG. 2

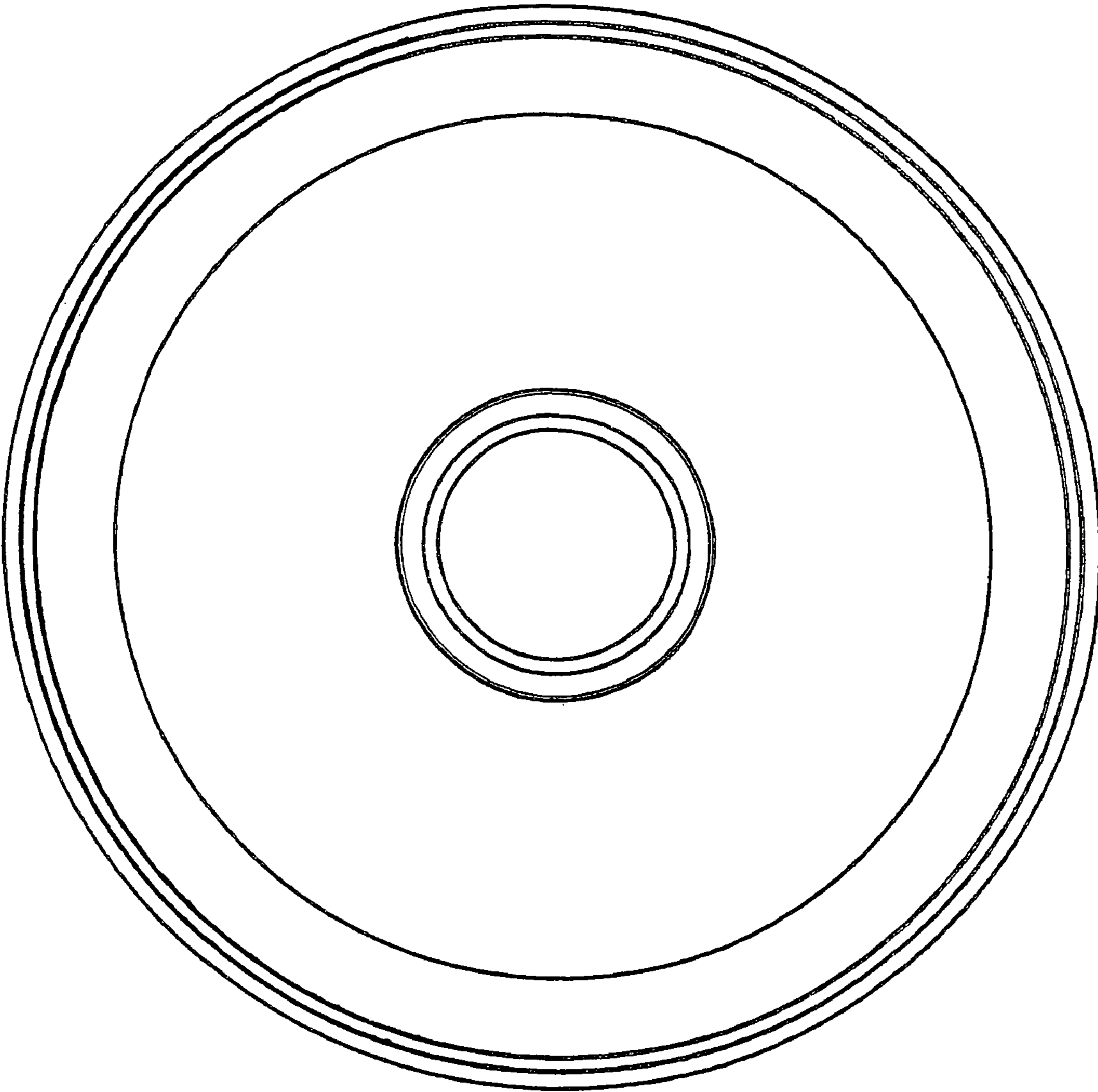


FIG. 3

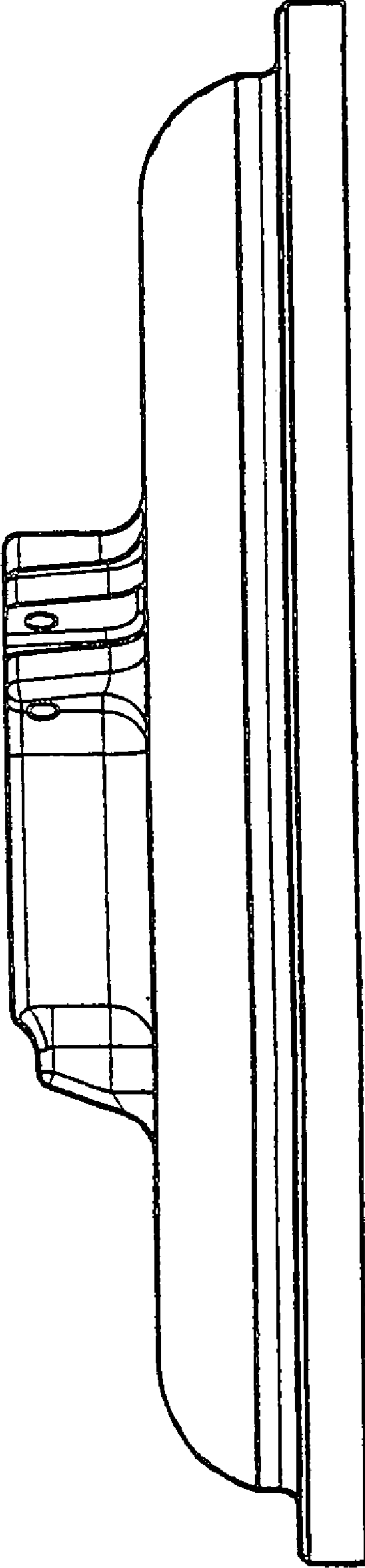


FIG. 4

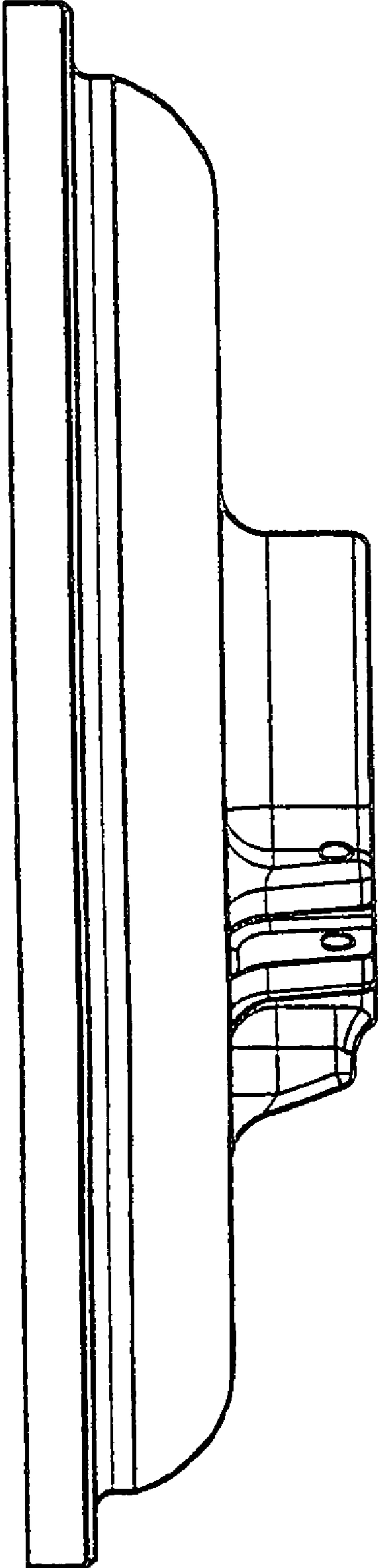


FIG. 5

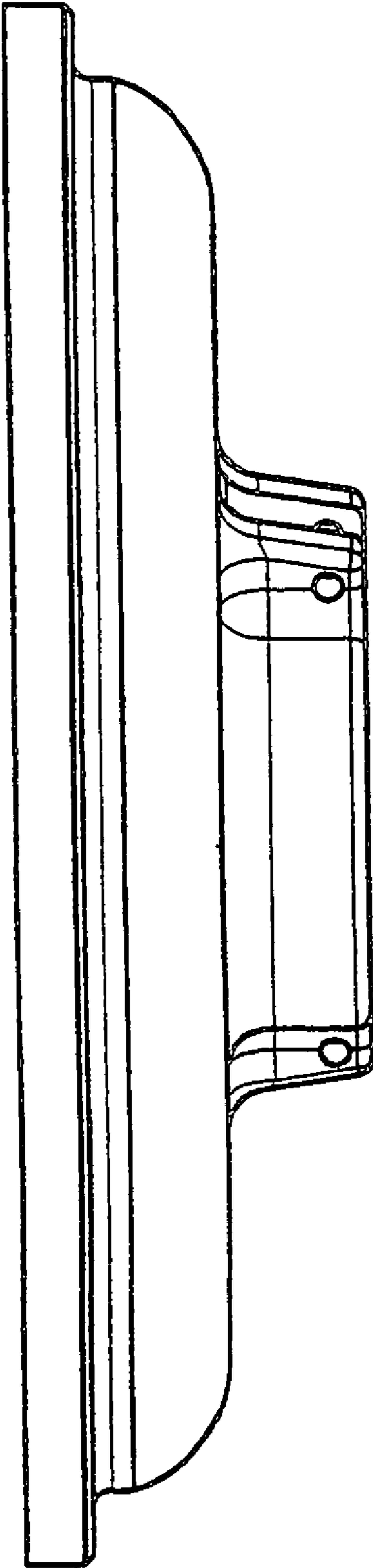


FIG. 6

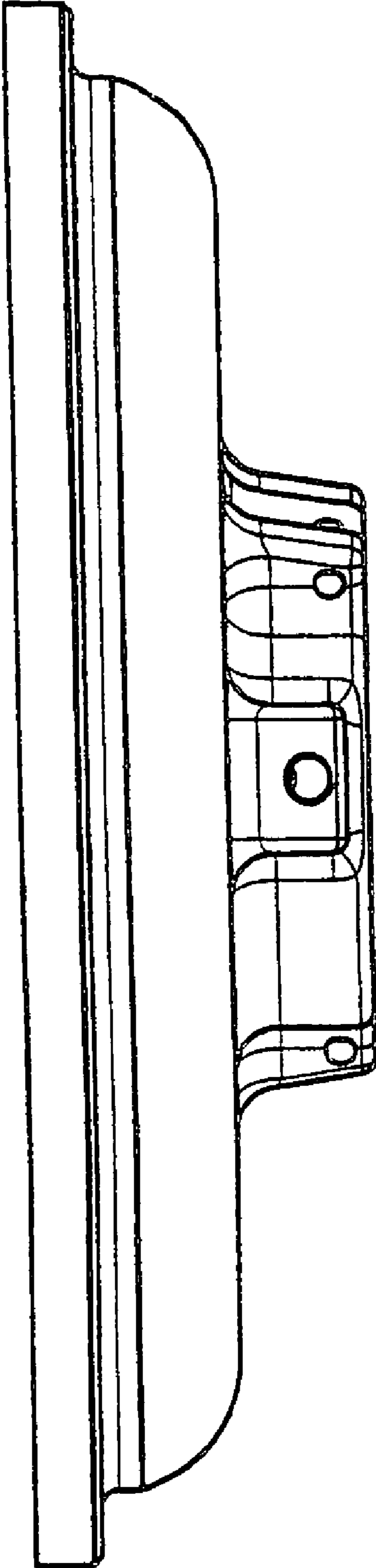


FIG. 7

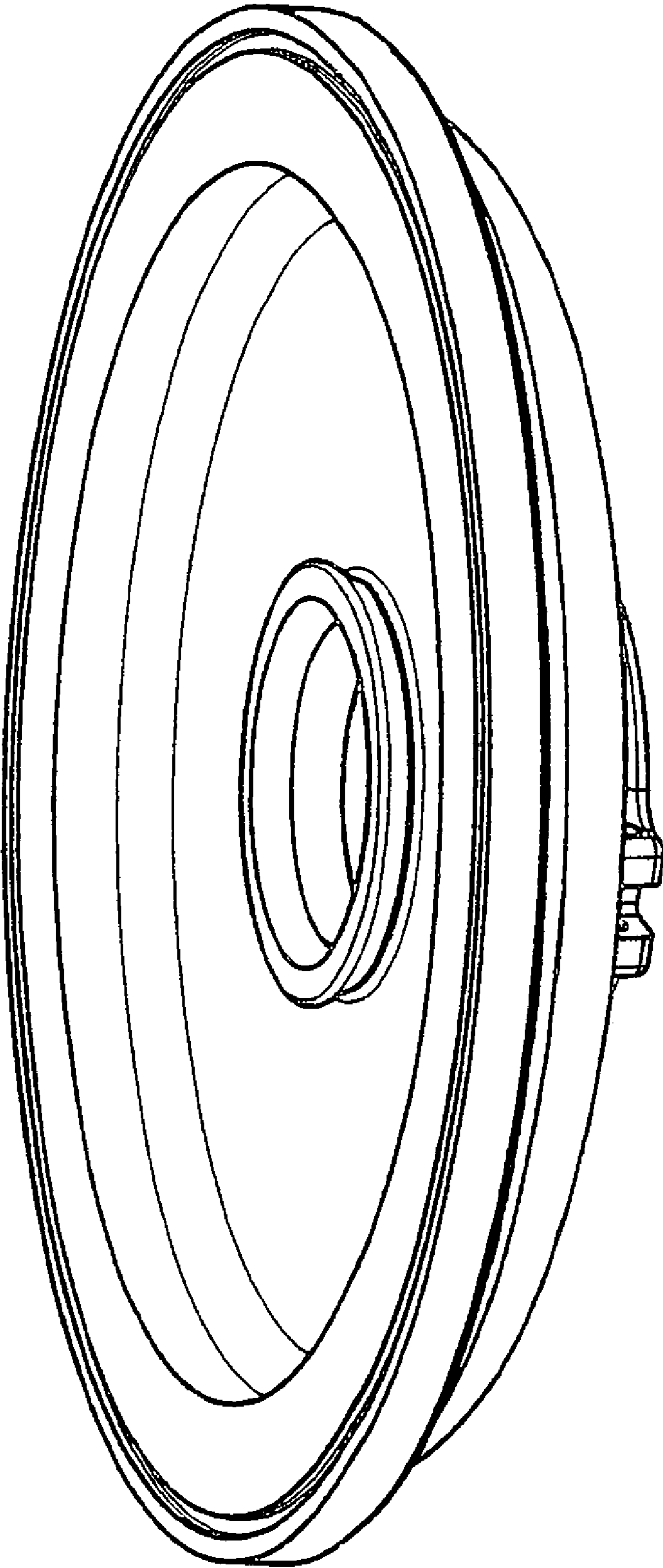


FIG. 8