



US00D611063S

(12) **United States Design Patent**  
**Okamoto**

(10) **Patent No.:** **US D611,063 S**

(45) **Date of Patent:** **\*\* Mar. 2, 2010**

(54) **OUTBOARD MOTOR**

D549,240 S \* 8/2007 Okamoto ..... D15/4

(75) Inventor: **Hisashi Okamoto**, Hamamatsu (JP)

\* cited by examiner

(73) Assignee: **Suzuki Motor Corporation**,  
Hamamatsu-shi, Shizuoka Prefecture  
(JP)

*Primary Examiner*—Lisa P Lichtenstein

(74) *Attorney, Agent, or Firm*—Dana M. Gordon; Foley Hoag  
LLP

(\*\*) Term: **14 Years**

(57) **CLAIM**

(21) Appl. No.: **29/295,779**

The ornamental design for an outboard motor, as shown and  
described.

(22) Filed: **Oct. 5, 2007**

**DESCRIPTION**

(30) **Foreign Application Priority Data**

Apr. 13, 2007 (JP) ..... 2007-010021

FIG. 1 is a front elevational view of an outboard motor show-  
ing my new design;

(51) **LOC (9) Cl.** ..... **15-01**

(52) **U.S. Cl.** ..... **D15/4**

(58) **Field of Classification Search** ..... D15/4-5,  
D15/149; 123/195 P; 440/3-4, 88 R, 52;  
D12/317

FIG. 2 is a front perspective view of the right side thereof;

FIG. 3 is a right side elevational view thereof;

FIG. 4 is a rear perspective view of the right side thereof;

FIG. 5 is a rear elevational view thereof;

FIG. 6 is a rear perspective view of the left side thereof;

FIG. 7 is a left side elevational view thereof;

FIG. 8 is a front perspective view of the left side thereof;

FIG. 9 is a top view thereof; and,

FIG. 10 is a bottom view thereof.

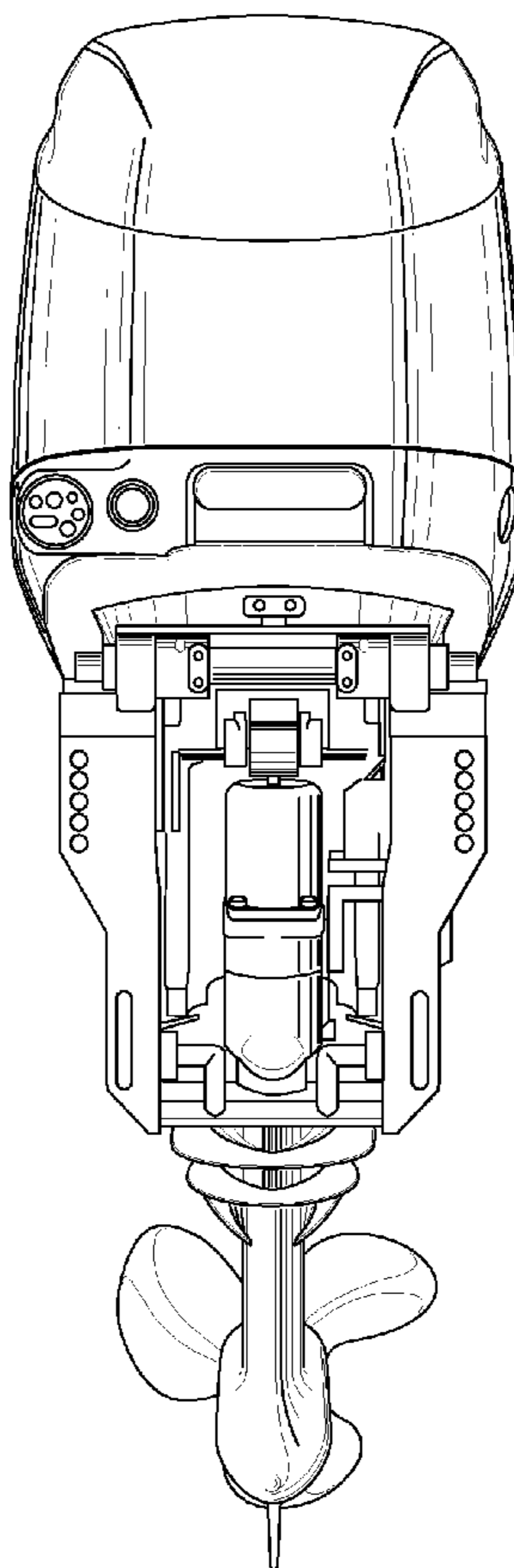
See application file for complete search history.

(56) **References Cited**

**U.S. PATENT DOCUMENTS**

D452,251 S \* 12/2001 Okamoto ..... D15/4  
D466,907 S \* 12/2002 Ohsumi ..... D15/4

**1 Claim, 10 Drawing Sheets**



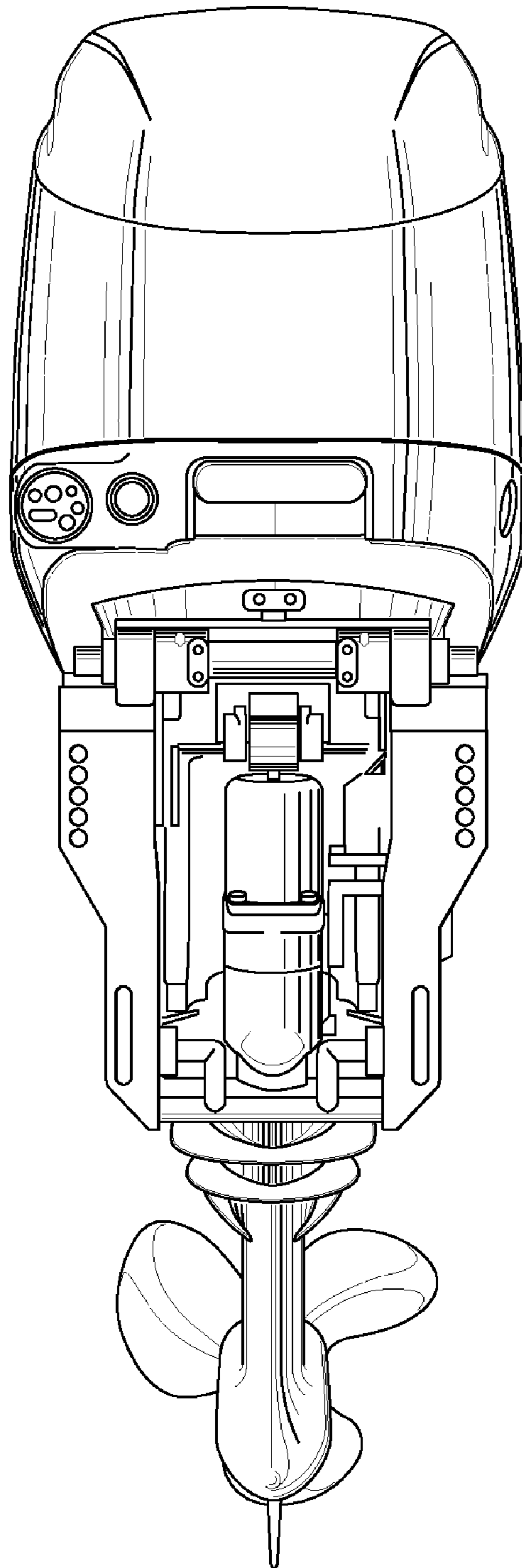


Fig. 1

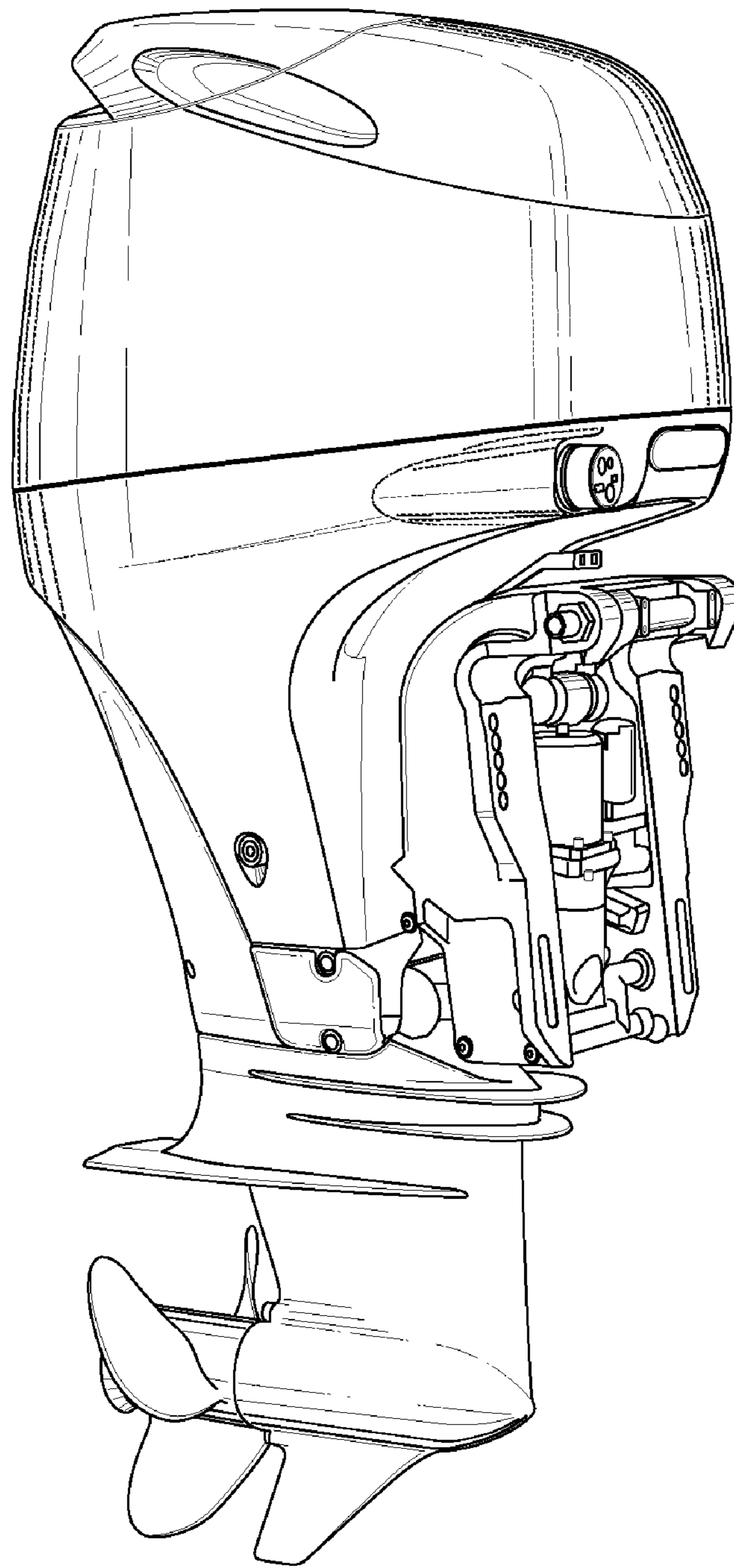


Fig. 2

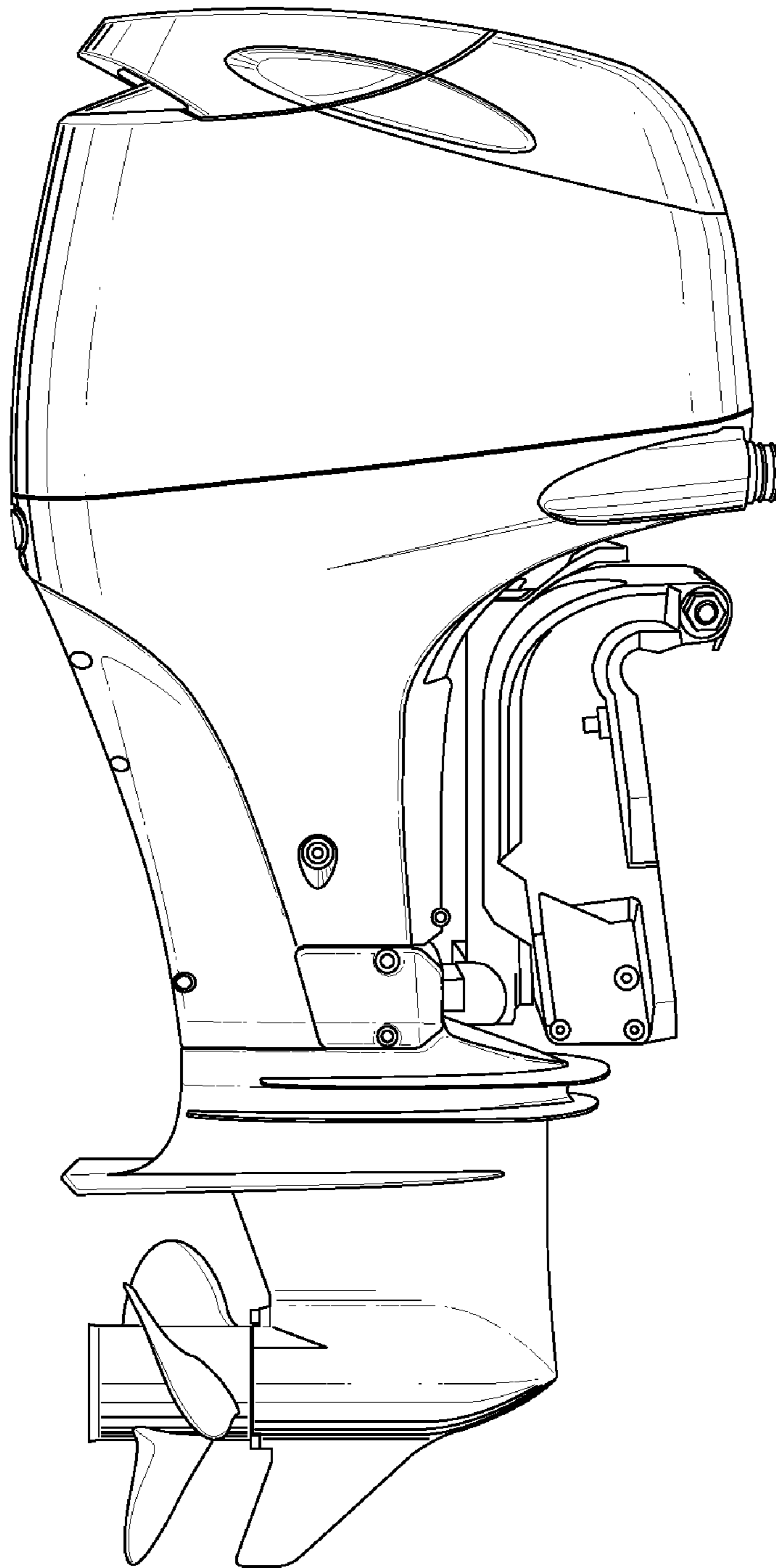


Fig. 3

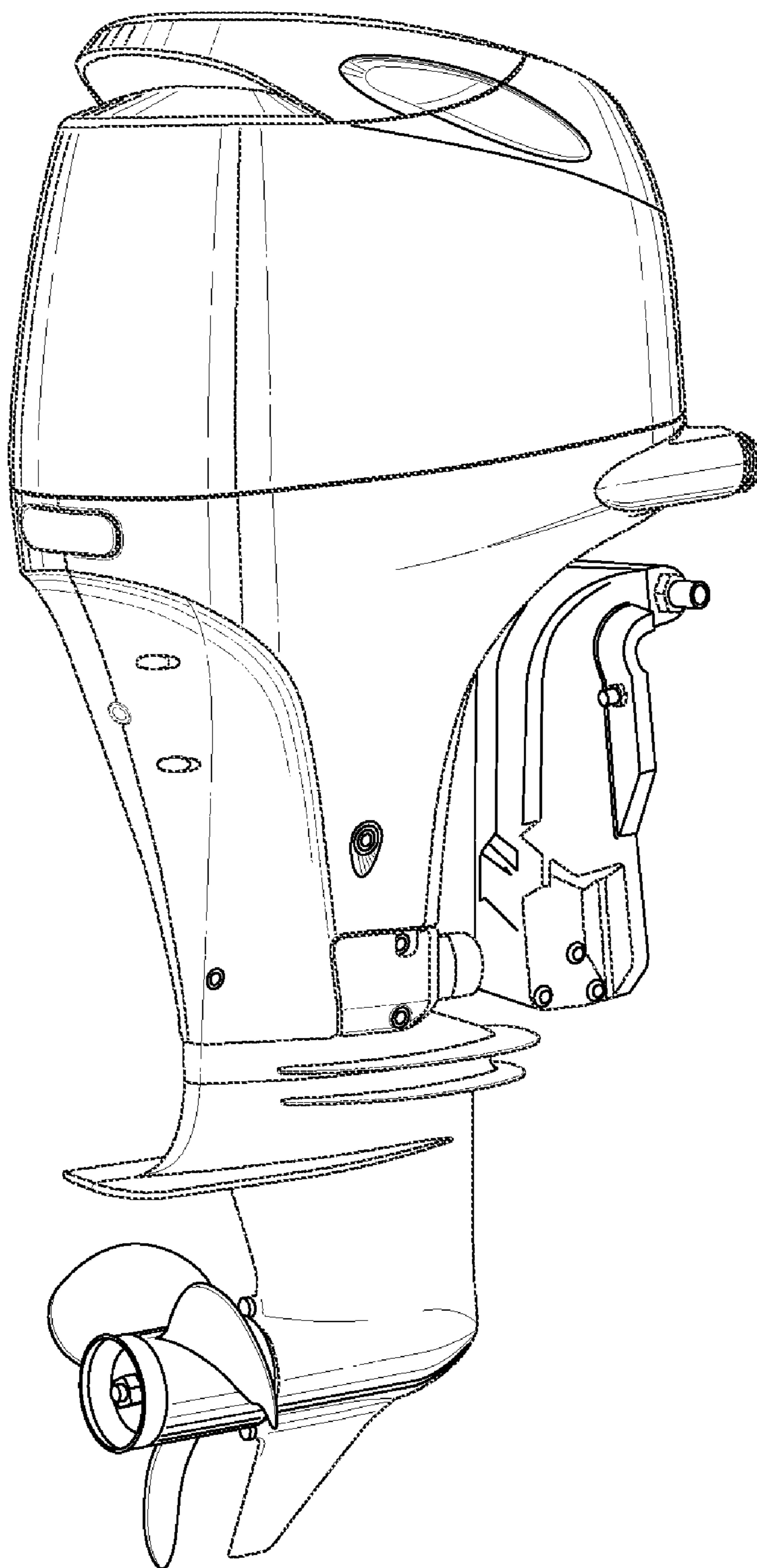


Fig. 4

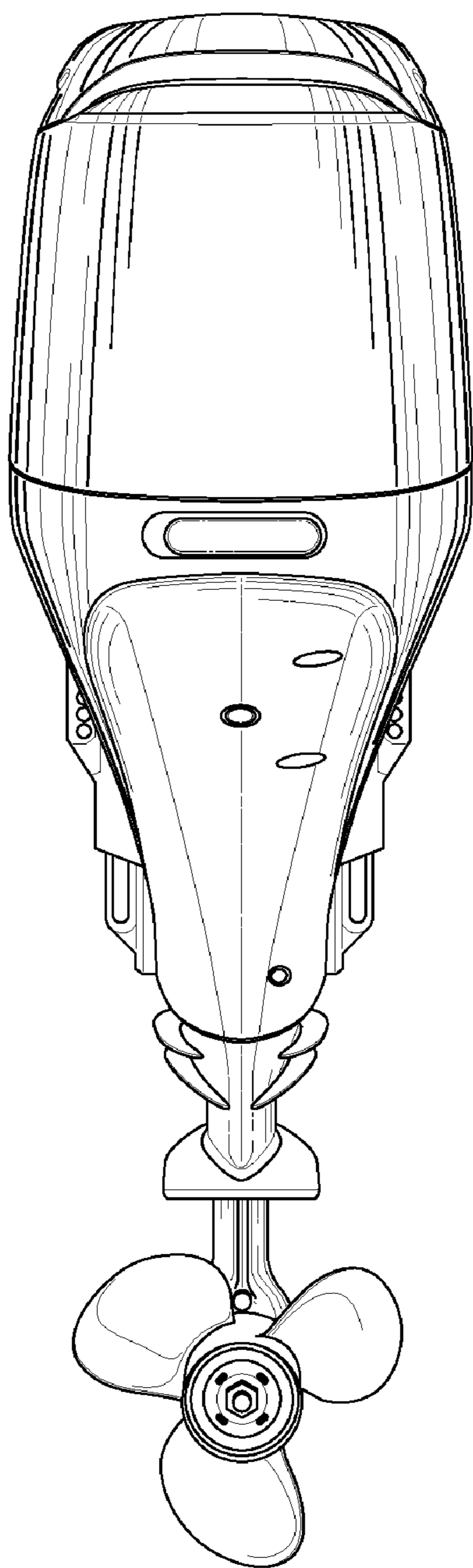


Fig. 5



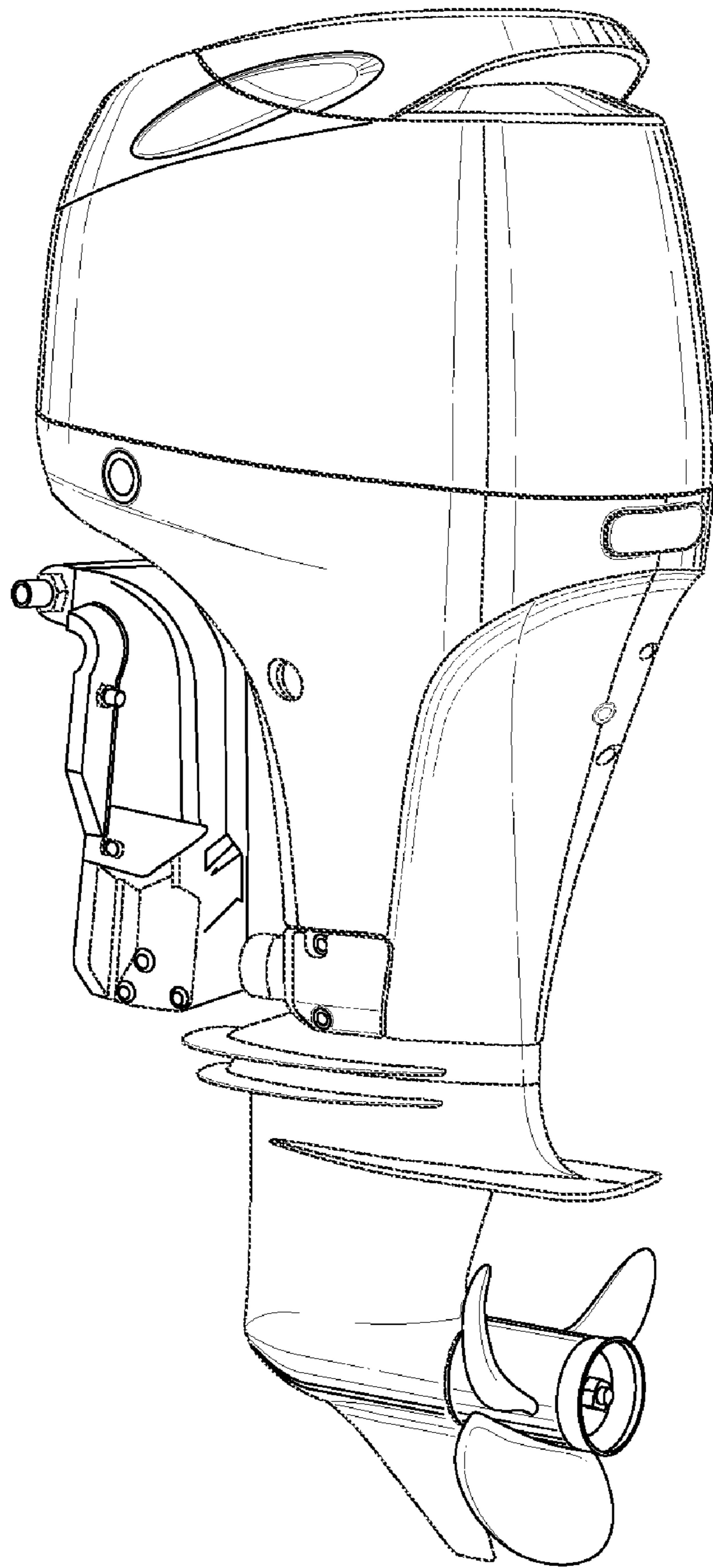


Fig. 6

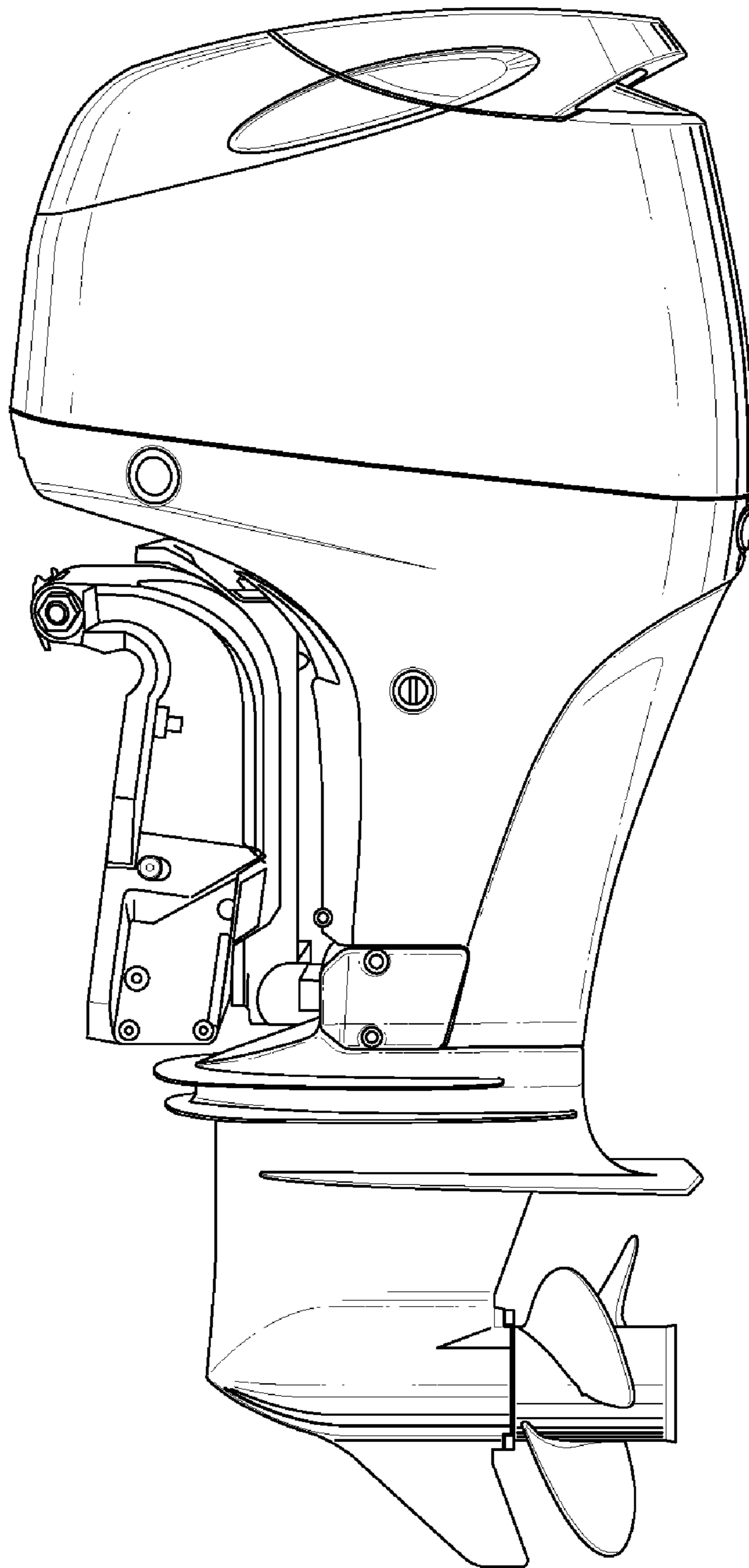


Fig. 7



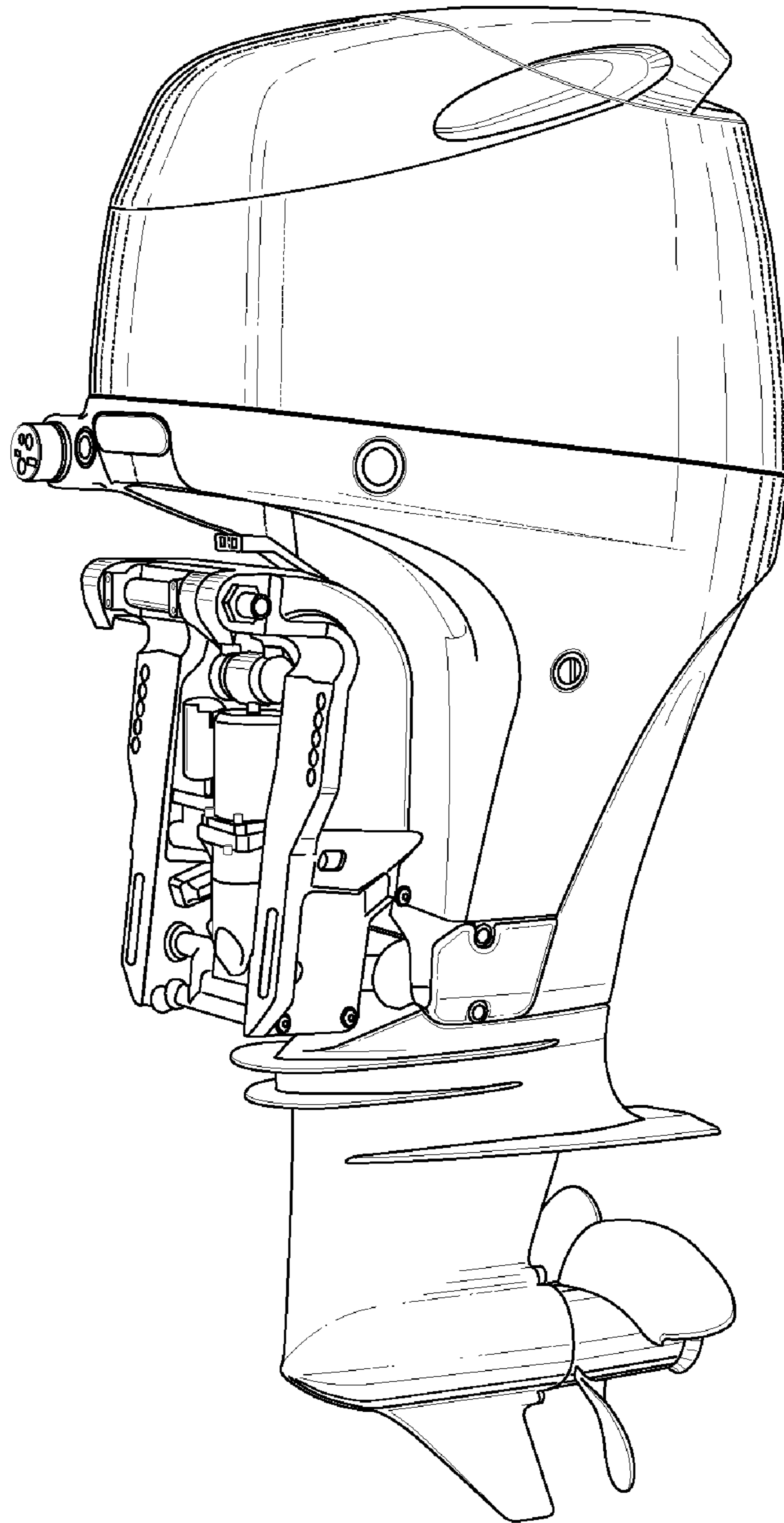


Fig. 8

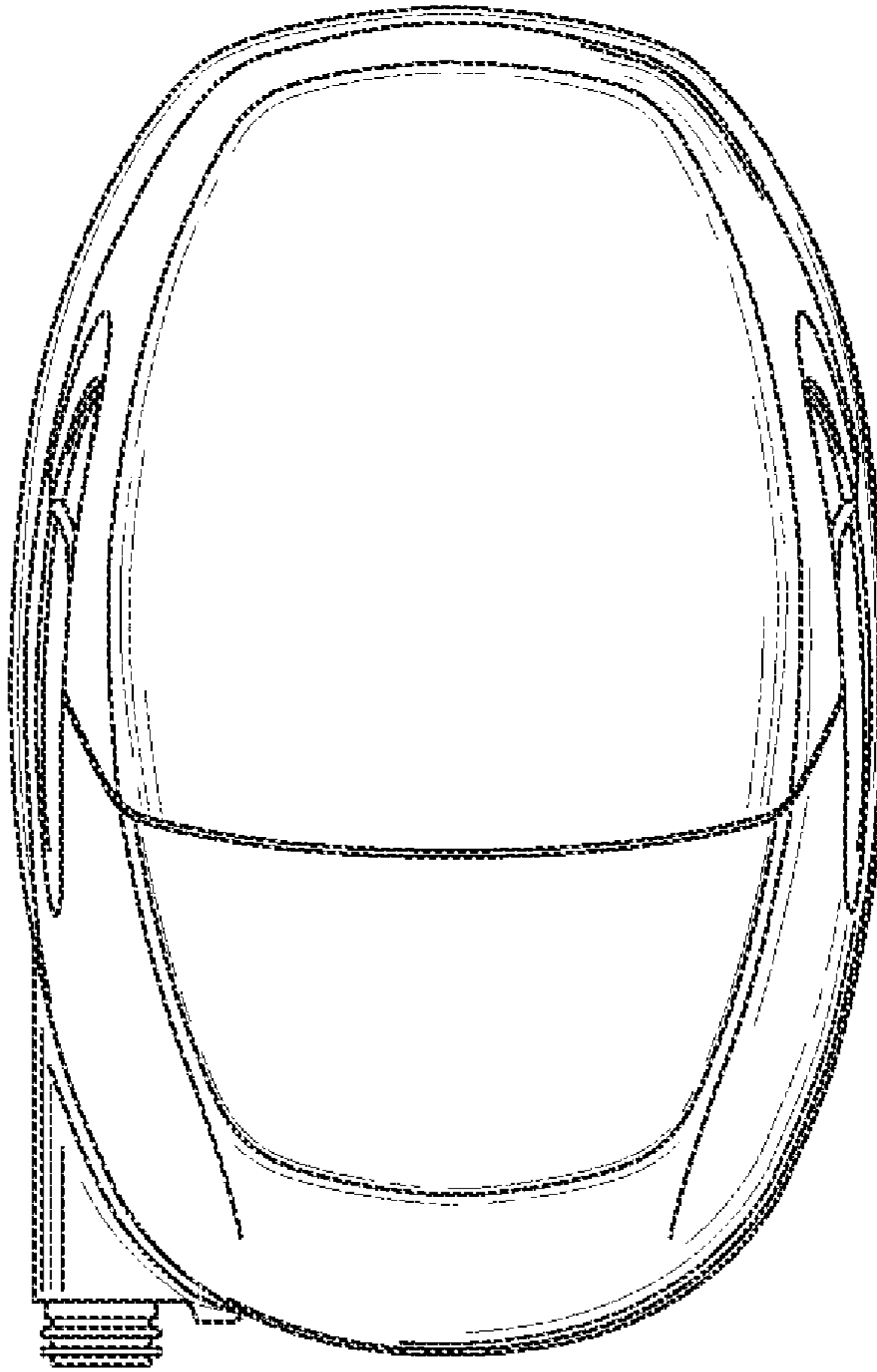


Fig. 9

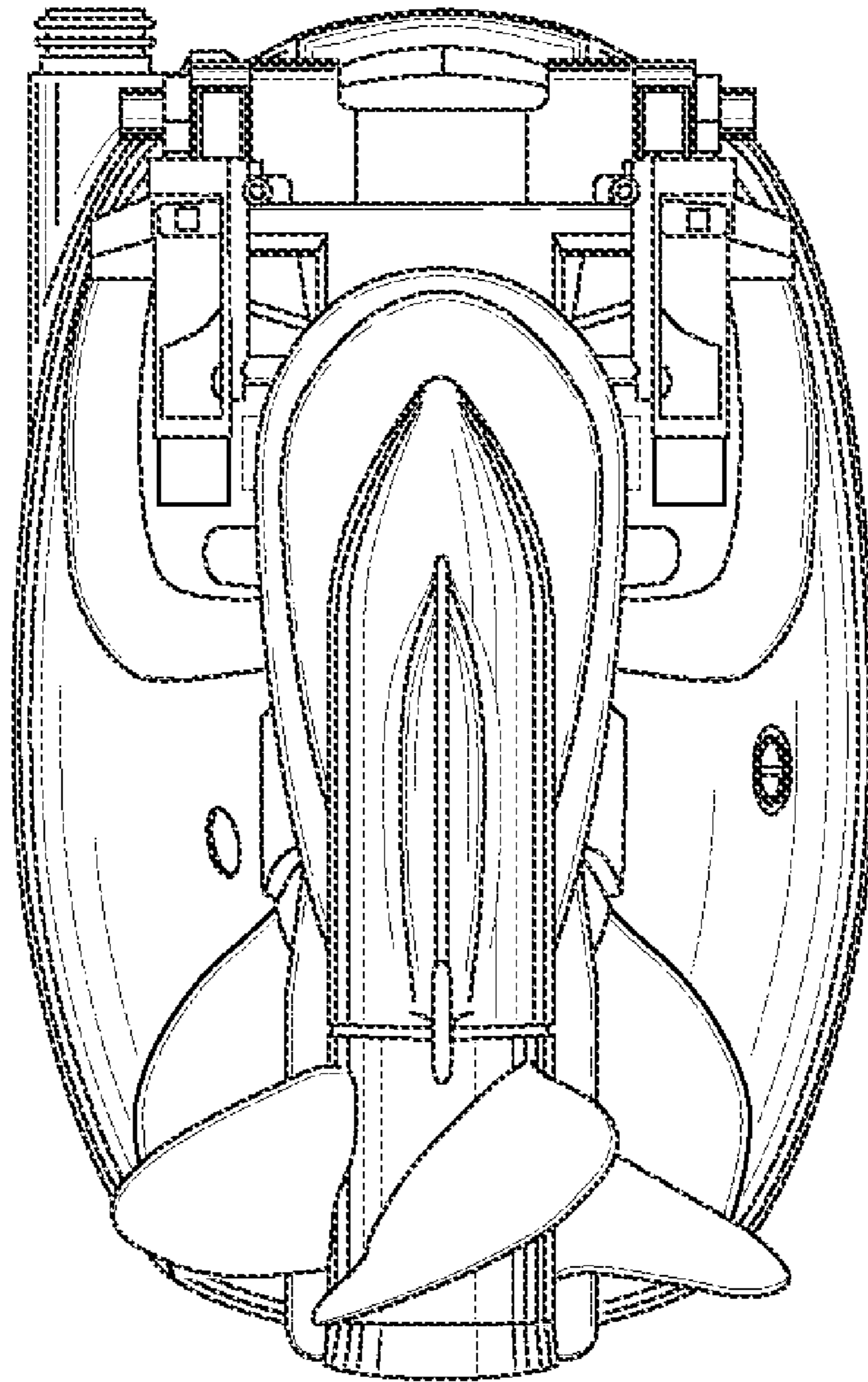


Fig. 10