



US00D611062S

(12) **United States Design Patent**
Okamoto

(10) **Patent No.:** **US D611,062 S**
(45) **Date of Patent:** **** Mar. 2, 2010**

(54) **OUTBOARD MOTOR**

D549,240 S * 8/2007 Okamoto D15/4

(75) Inventor: **Hisashi Okamoto**, Hamamatsu (JP)

* cited by examiner

(73) Assignee: **Suzuki Motor Corporation**,
Hamamatsu-shi, Shizuoka Prefecture
(JP)

Primary Examiner—Lisa P Lichtenstein
(74) *Attorney, Agent, or Firm*—Dana M. Gordon; Foley Hoag
LLP

(**) Term: **14 Years**

(57) **CLAIM**

(21) Appl. No.: **29/295,777**

The ornamental design for an outboard motor, as shown and described.

(22) Filed: **Oct. 5, 2007**

DESCRIPTION

(30) **Foreign Application Priority Data**

Apr. 13, 2007 (JP) 2007-010020

FIG. 1 is a front elevational view of an outboard motor showing my new design;

(51) **LOC (9) Cl.** **15-01**

FIG. 2 is a front perspective view of the right side thereof;

(52) **U.S. Cl.** **D15/4**

FIG. 3 is a right side elevational view thereof;

(58) **Field of Classification Search** D15/4-5,
D15/149; 123/195 P; 440/3-4, 88 R, 52;
D12/317

FIG. 4 is a rear perspective view of the right side thereof;

See application file for complete search history.

FIG. 5 is a rear elevational view thereof;

FIG. 6 is a rear perspective view of the left side thereof;

FIG. 7 is a left side elevational view thereof;

FIG. 8 is a front perspective view of the left side thereof;

FIG. 9 is a top view thereof; and,

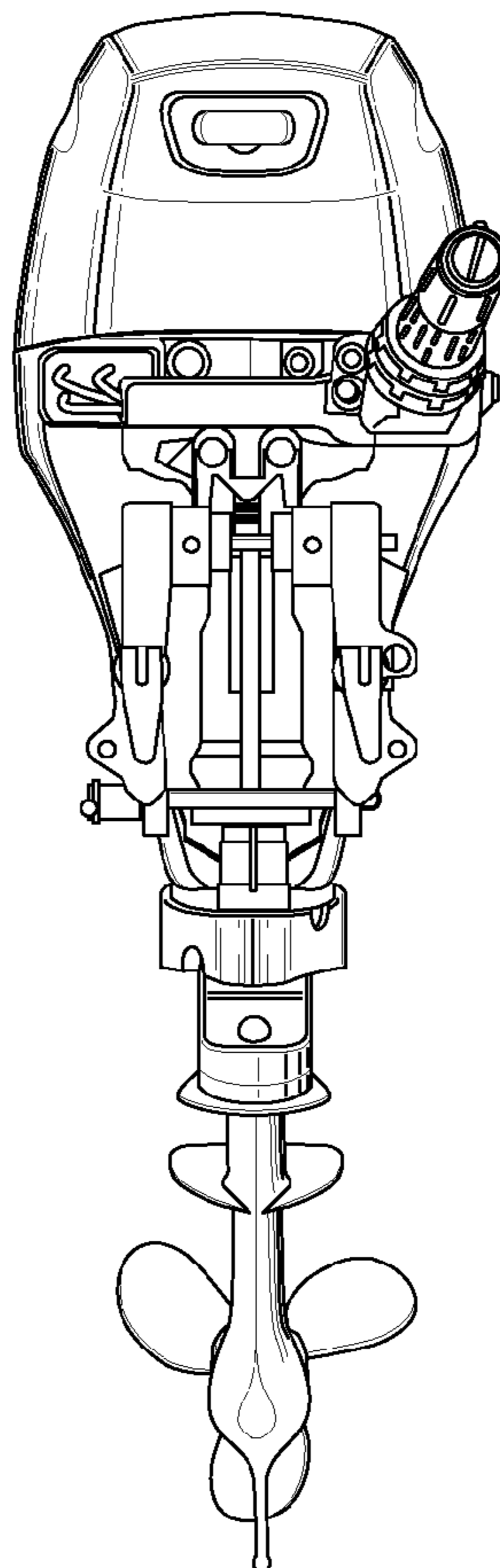
FIG. 10 is a bottom view thereof.

(56) **References Cited**

U.S. PATENT DOCUMENTS

D452,251 S * 12/2001 Okamoto D15/4
D466,907 S * 12/2002 Ohsumi D15/4

1 Claim, 10 Drawing Sheets



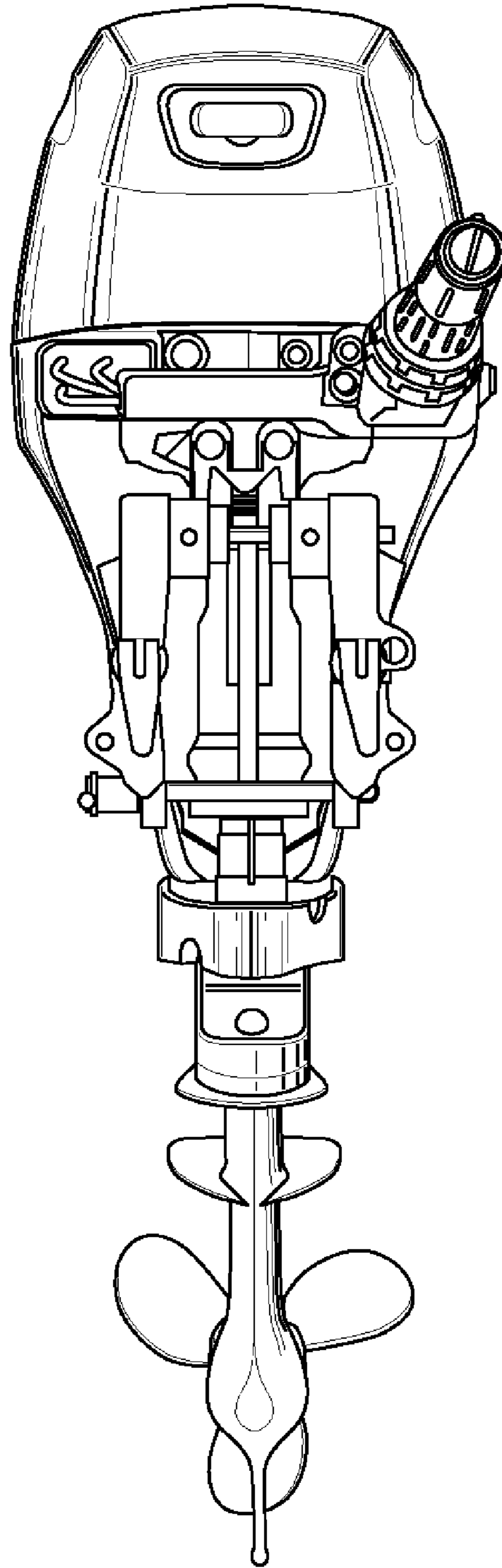


Fig. 1

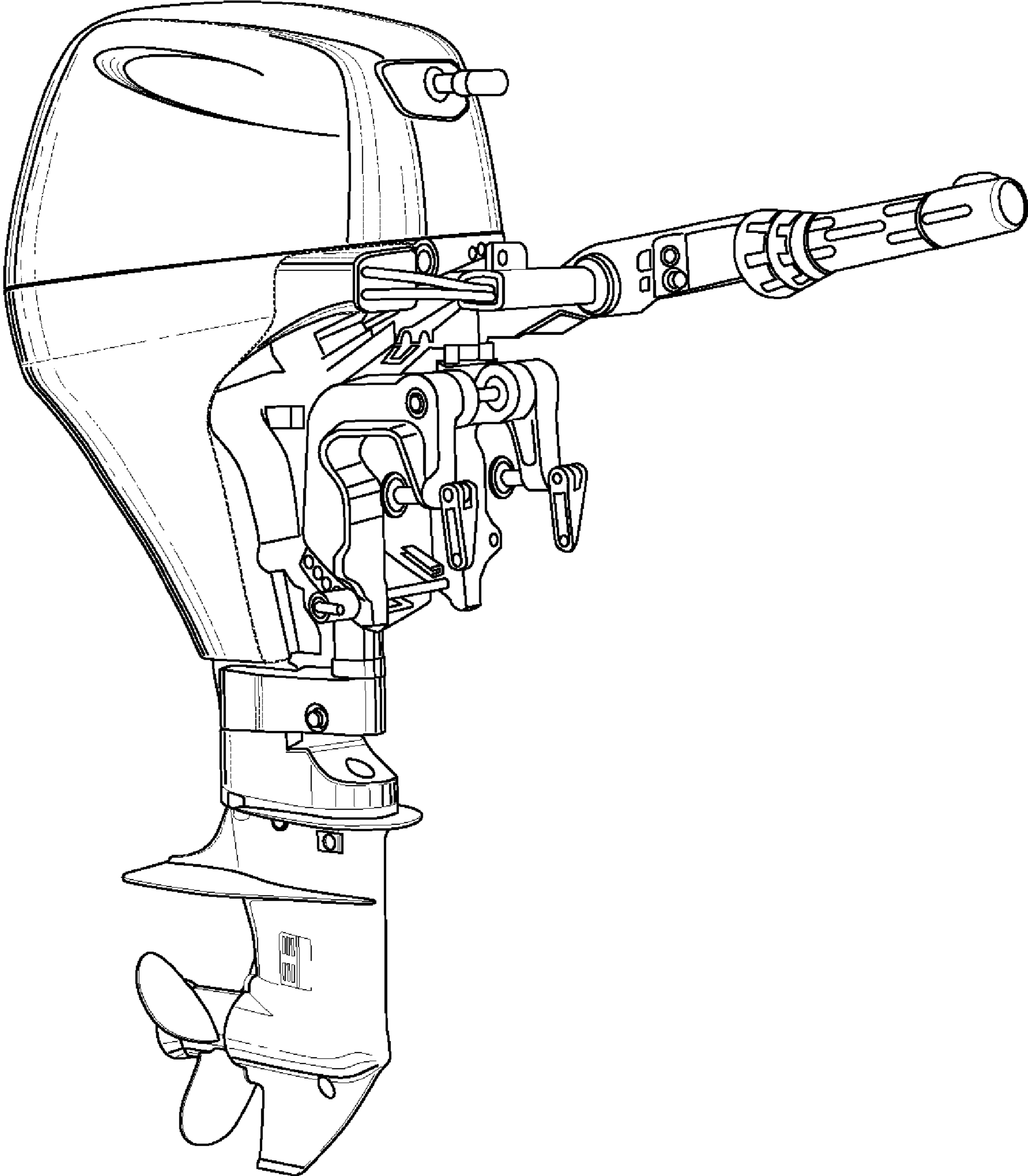


Fig. 2

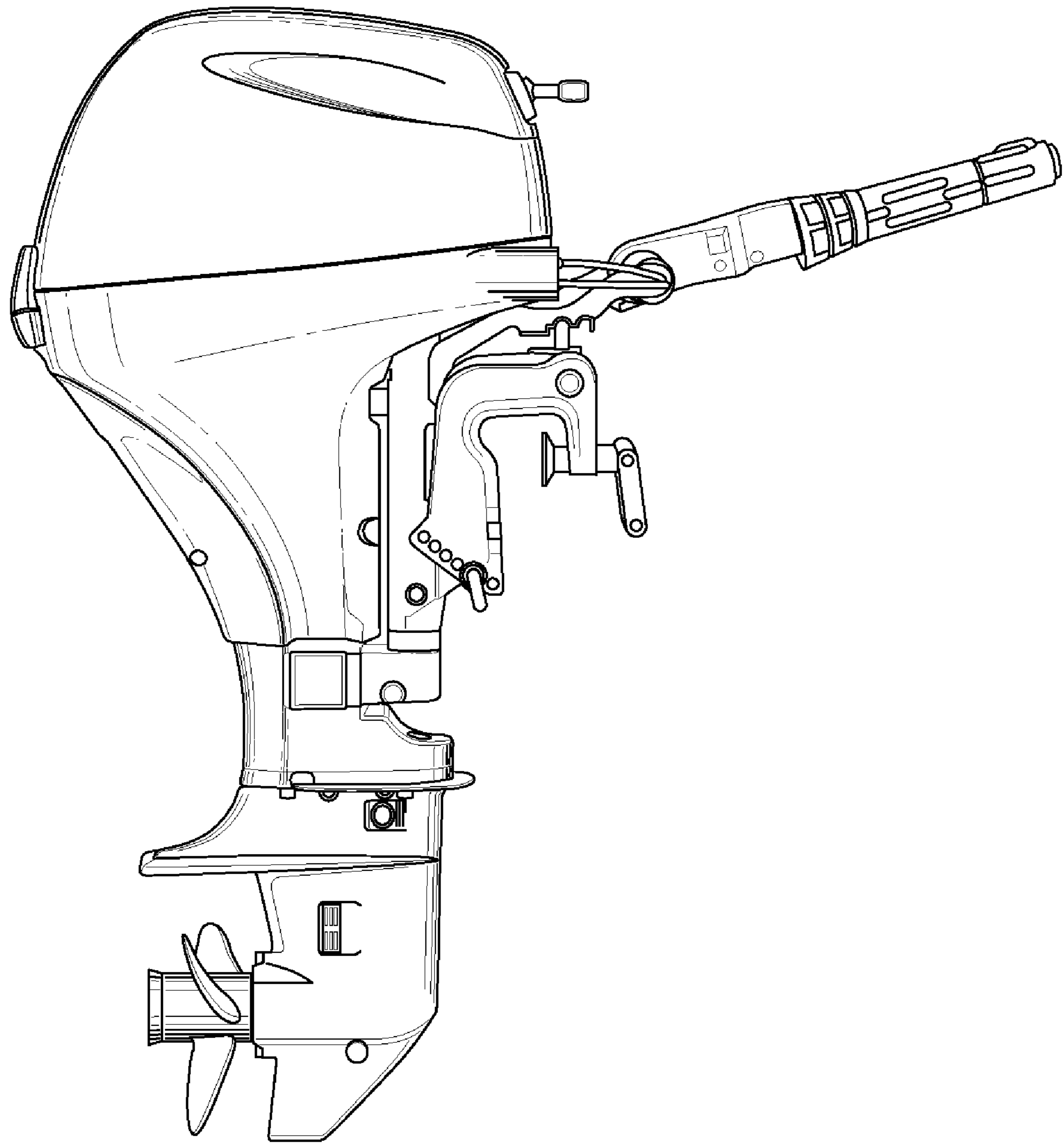


Fig. 3

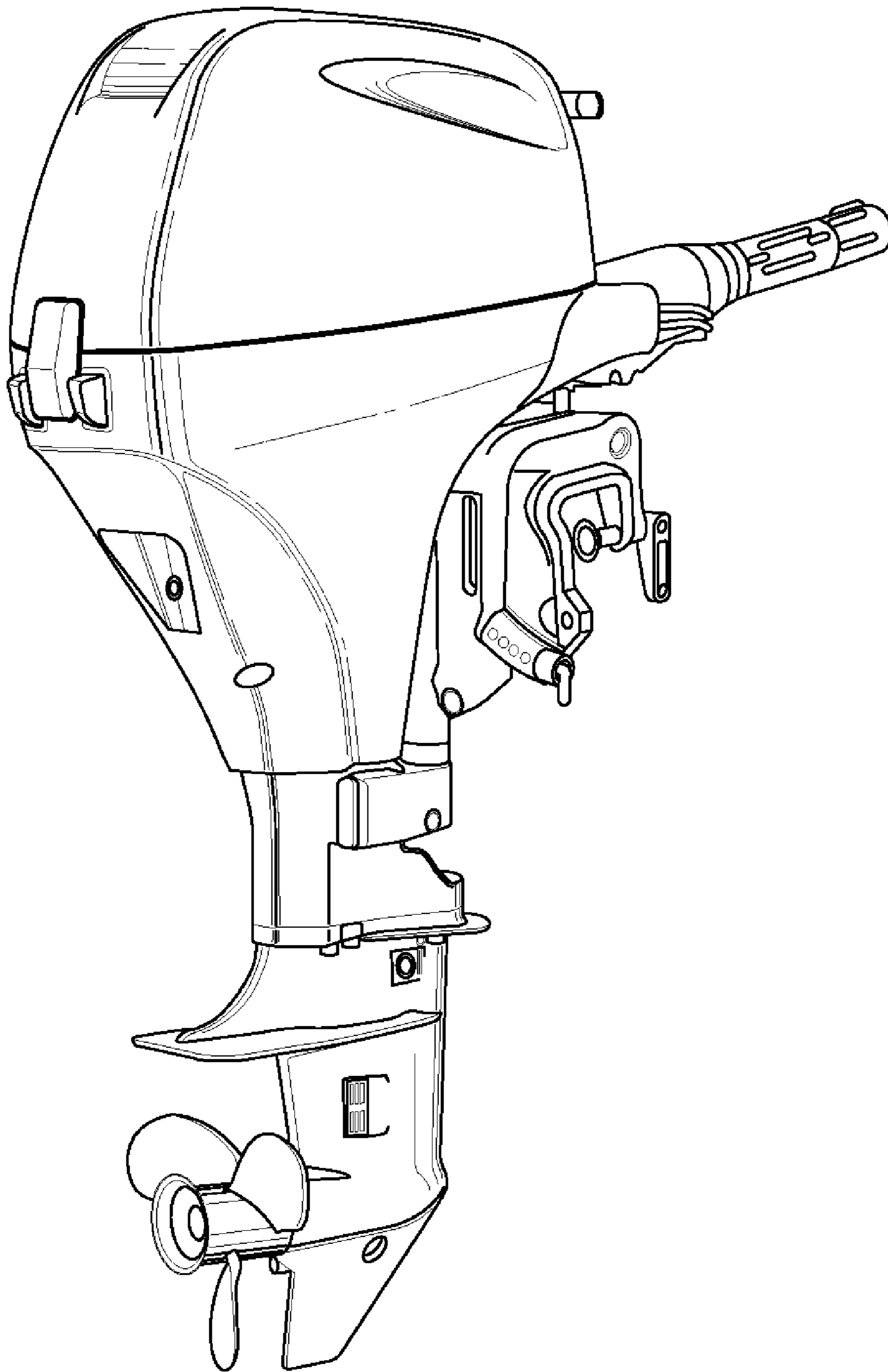


Fig. 4

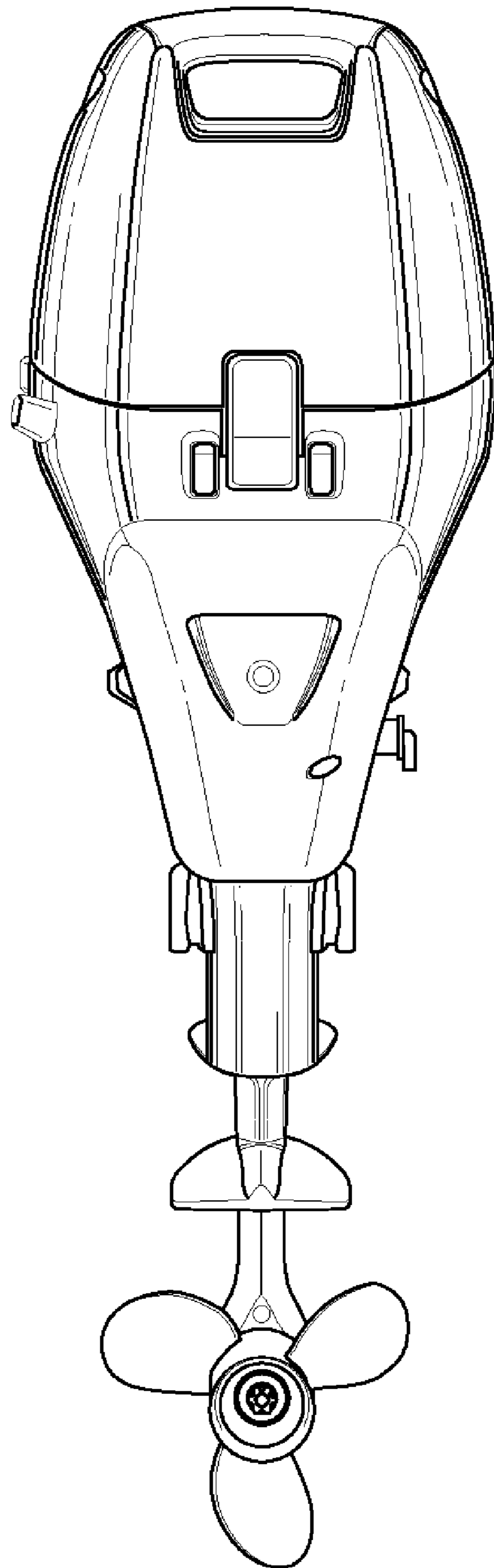


Fig. 5

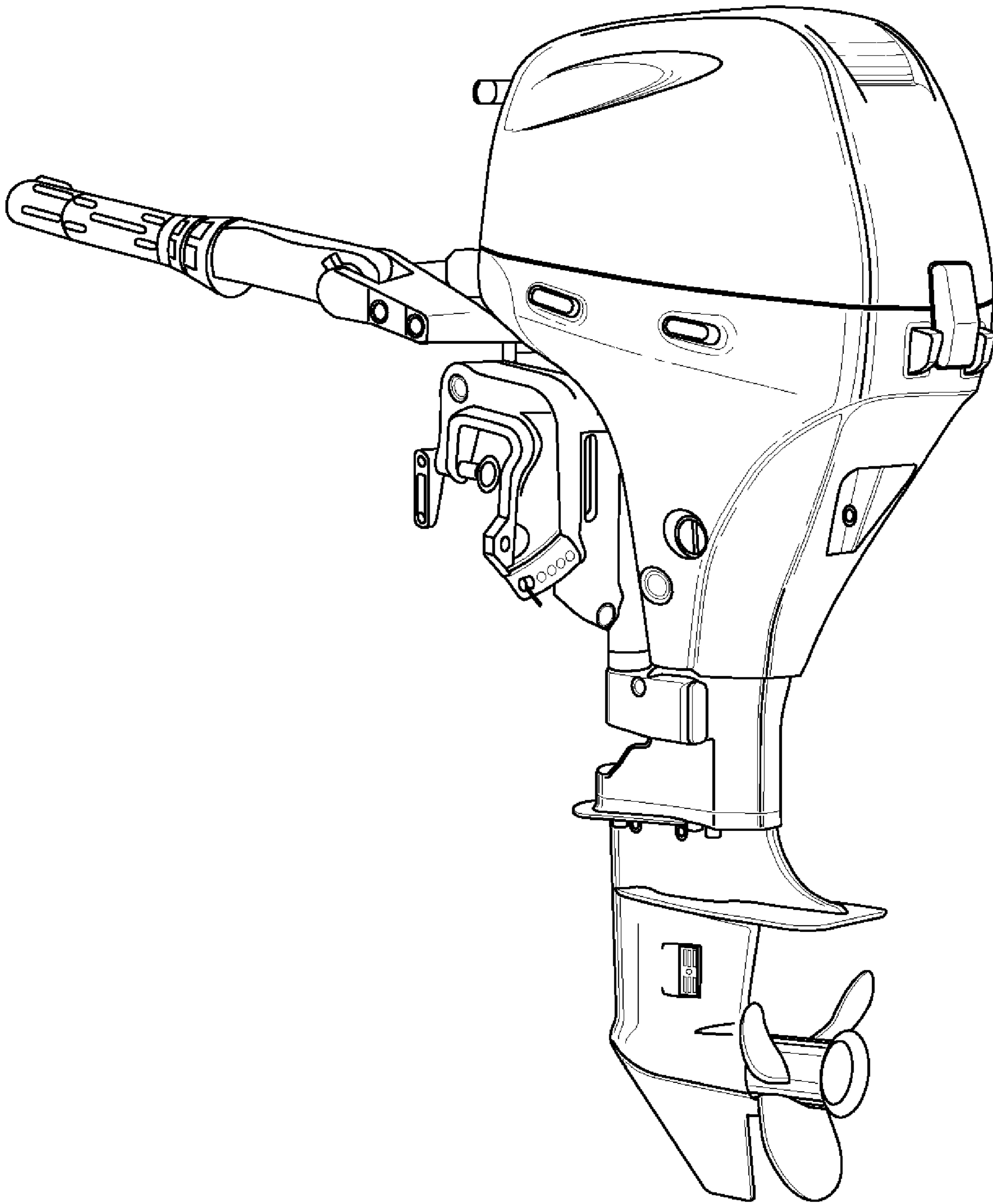


Fig. 6

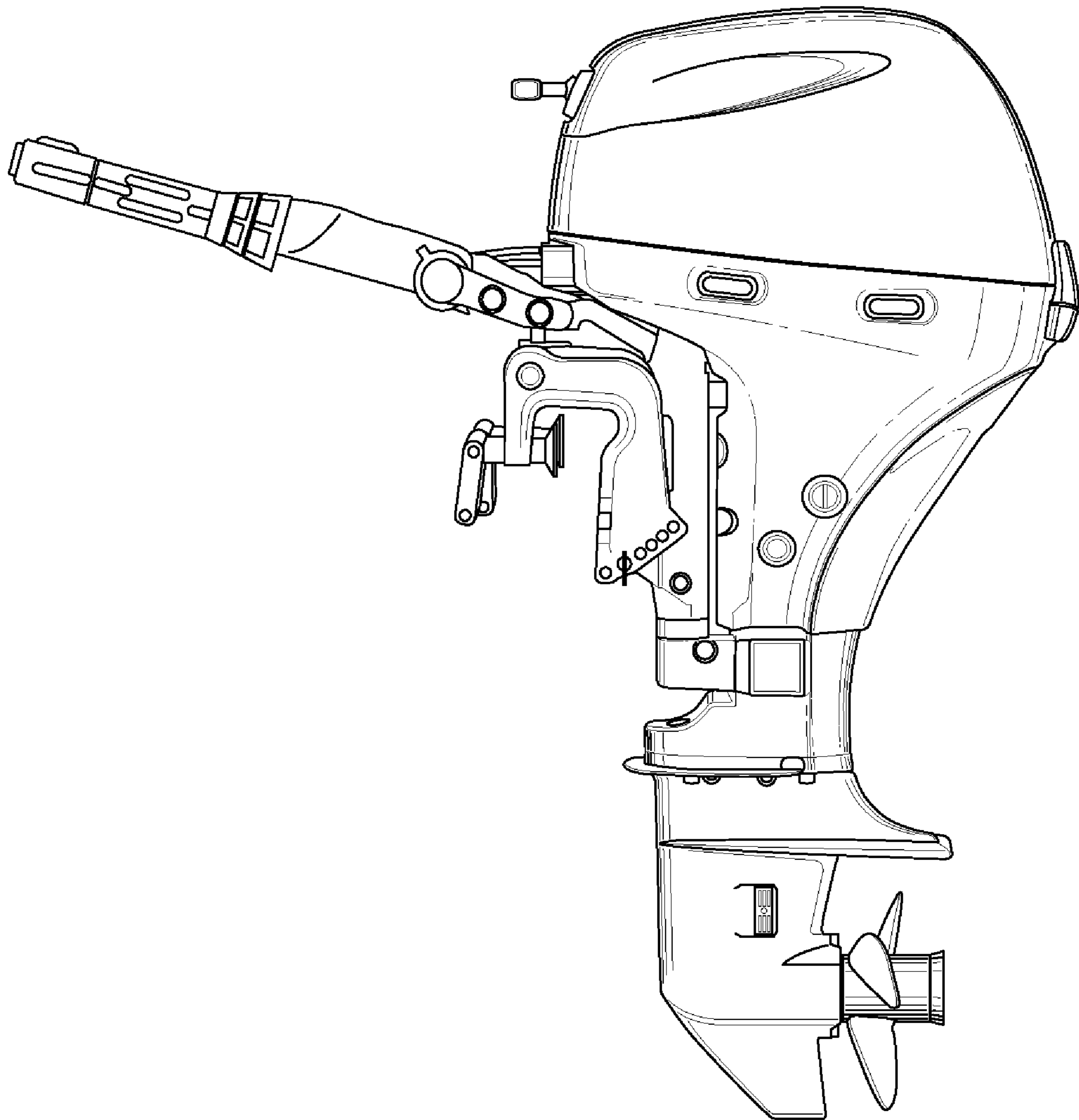


Fig. 7

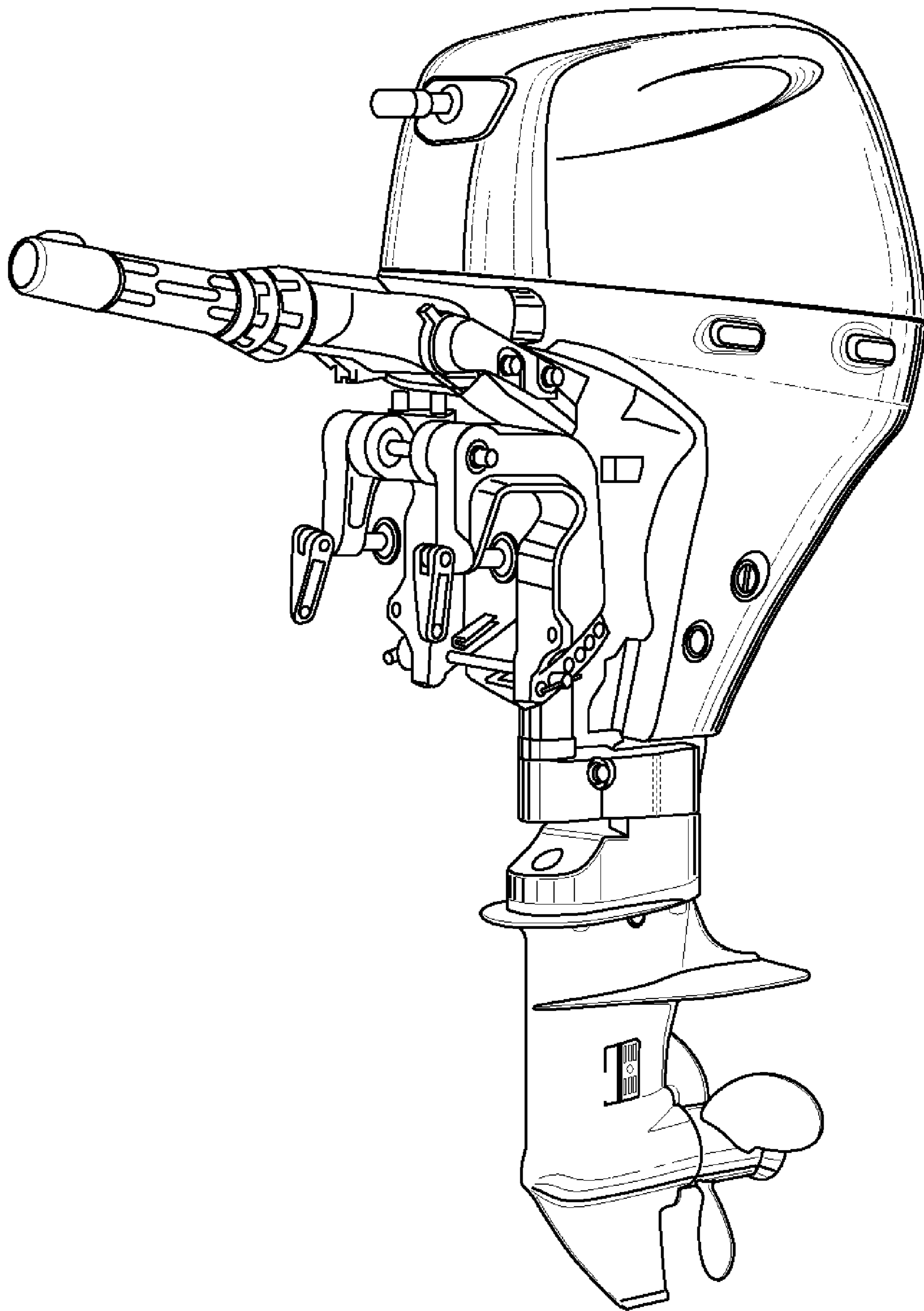


Fig. 8

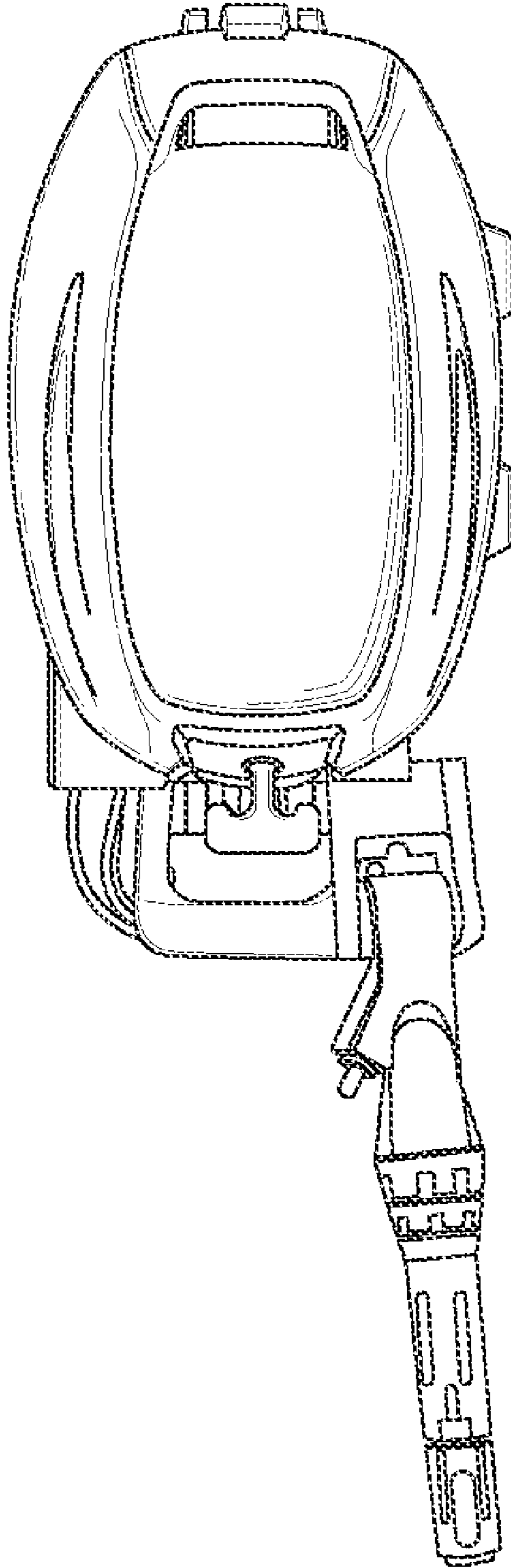


Fig. 9

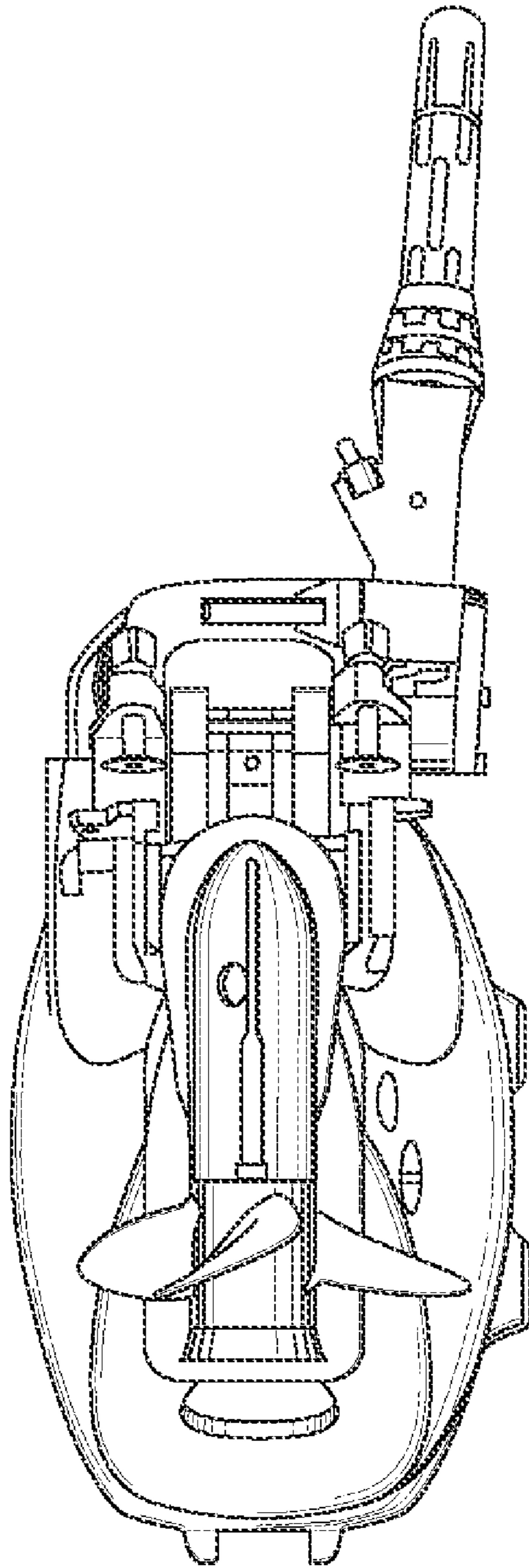


Fig. 10