



US00D611059S

(12) **United States Design Patent**  
**Sugita**

(10) **Patent No.:** **US D611,059 S**  
(45) **Date of Patent:** **\*\* Mar. 2, 2010**

(54) **DIGITAL AUDIO PLAYER**

D582,911 S \* 12/2008 Kimura et al. .... D14/258  
D595,685 S \* 7/2009 Iwamoto ..... D14/157

(75) Inventor: **Muneki Sugita**, Suginami-ku (JP)

\* cited by examiner

(73) Assignee: **Clarion Co., Ltd.**, Tokyo (JP)

*Primary Examiner*—Nanda Bondade  
(74) *Attorney, Agent, or Firm*—Olliff & Berridge, PLC

(\*\*) Term: **14 Years**

(21) Appl. No.: **29/340,625**

(57) **CLAIM**

(22) Filed: **Jul. 22, 2009**

The ornamental design for a digital audio player, as shown and described.

(51) **LOC (9) Cl.** ..... **14-01**

(52) **U.S. Cl.** ..... **D14/505**

(58) **Field of Classification Search** ..... D14/496,  
D14/498–505, 511, 157, 167–168, 188, 197–198,  
D14/257–258; 360/99.02, 99.07; 369/75.11,  
369/75.21, 77.11, 77.21; 720/601, 612, 619,  
720/649, 655; 455/344, 347–351

See application file for complete search history.

**DESCRIPTION**

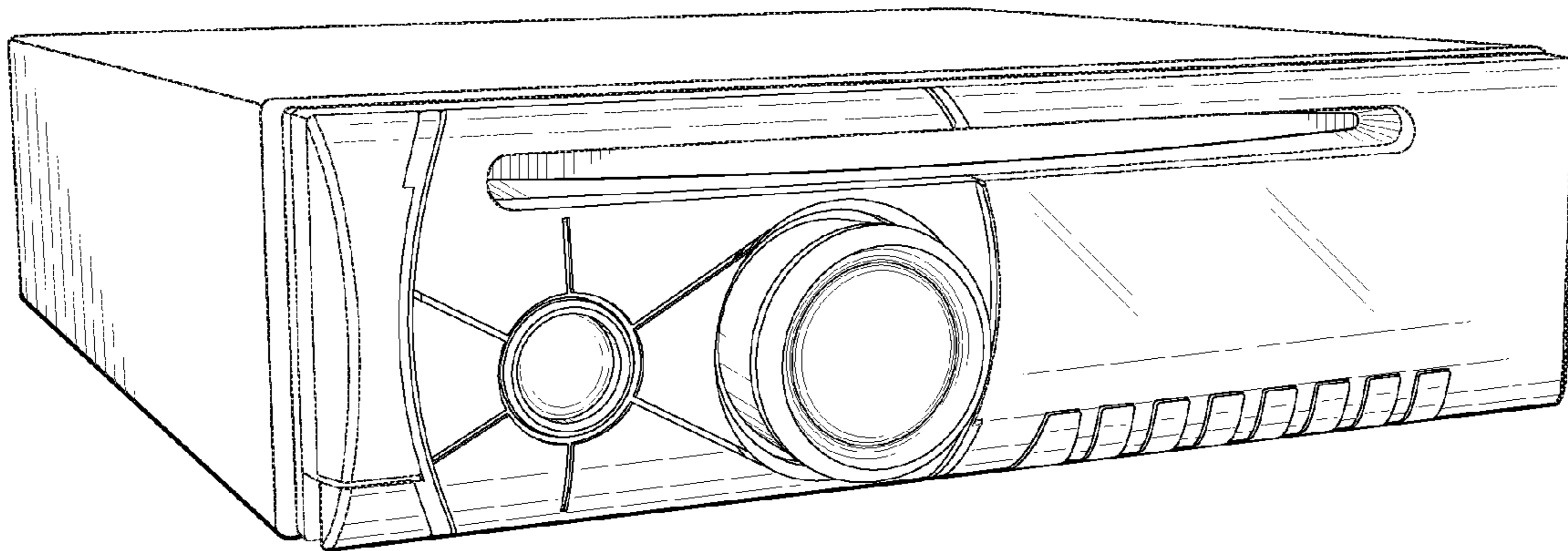
(56) **References Cited**

**U.S. PATENT DOCUMENTS**

5,848,042 A \* 12/1998 Takahashi et al. .... 720/647  
D475,691 S \* 6/2003 Nishii et al. .... D14/157  
D528,101 S \* 9/2006 Yoshihara ..... D14/157

FIG. 1 is a perspective view of a digital audio player;  
FIG. 2 is another perspective view thereof;  
FIG. 3 is a front view thereof;  
FIG. 4 is a top view thereof;  
FIG. 5 is a right-side view thereof;  
FIG. 6 is a left-side view thereof;  
FIG. 7 is a rear view thereof; and,  
FIG. 8 is a bottom view thereof.

**1 Claim, 5 Drawing Sheets**



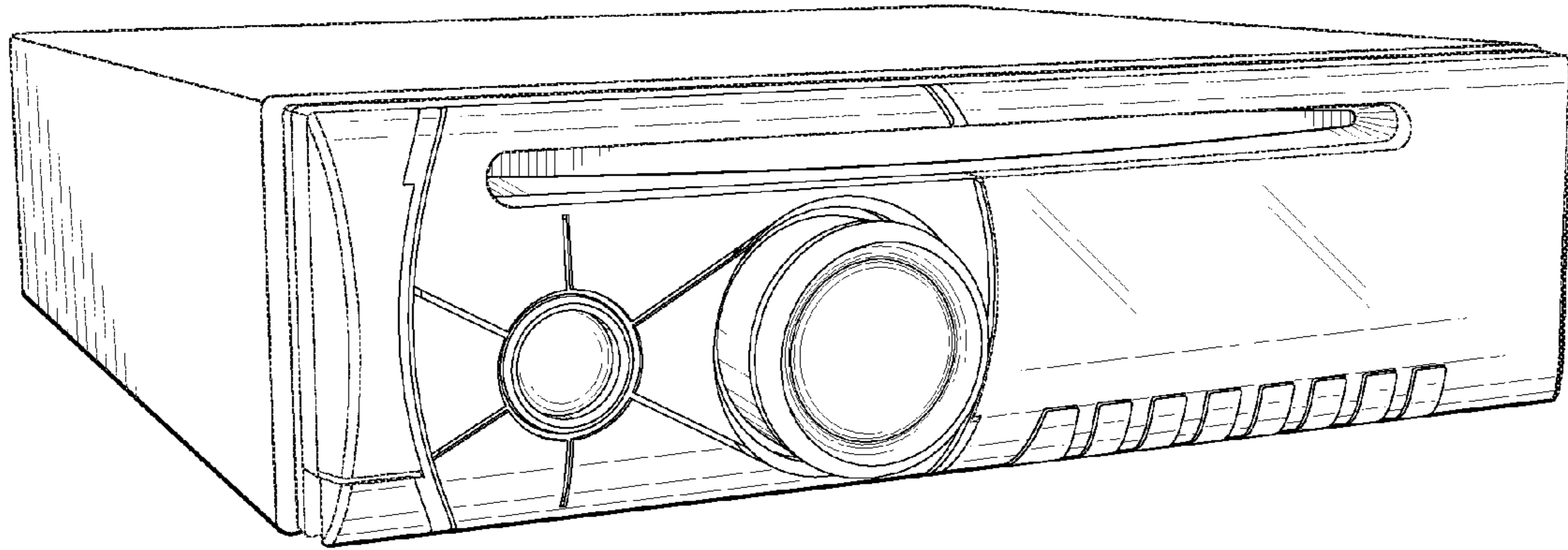


FIG. 1

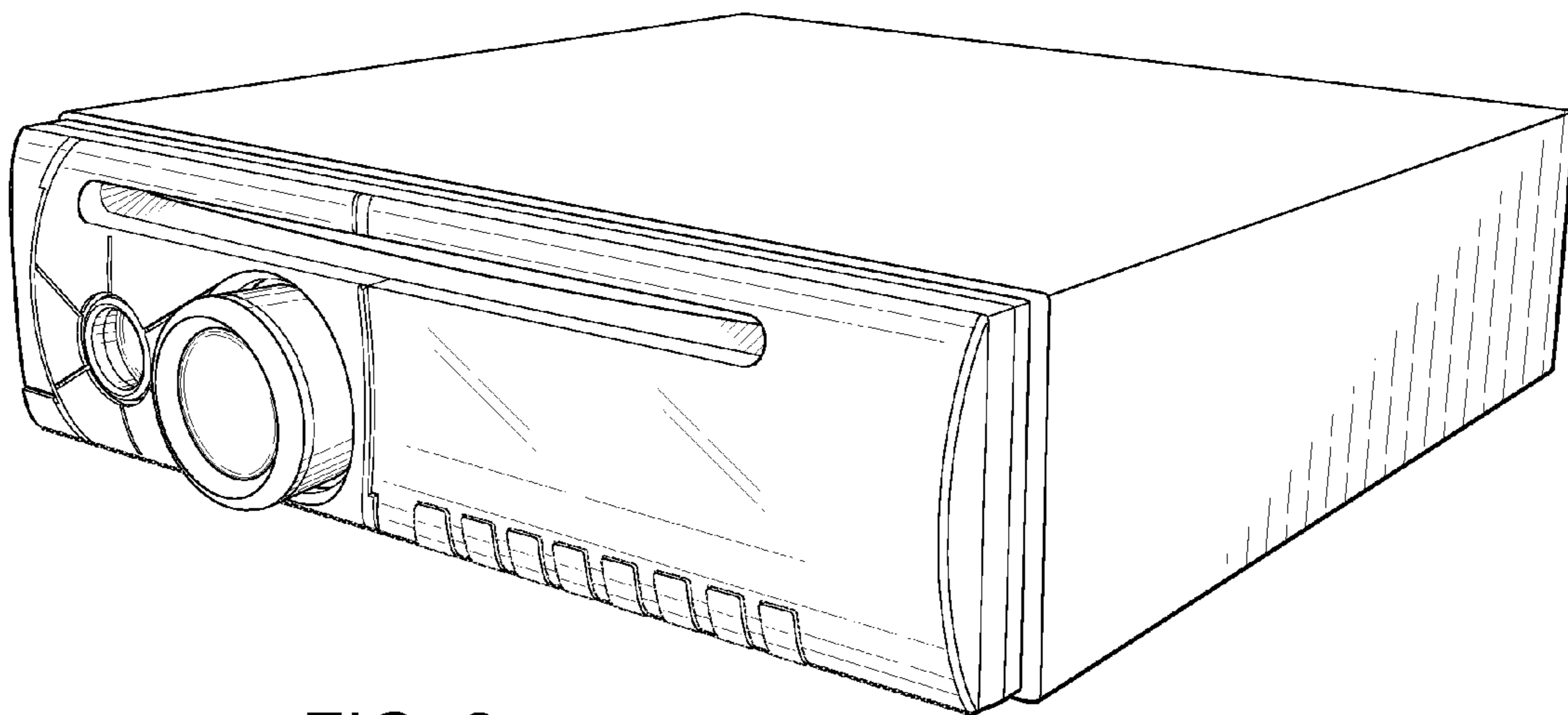


FIG. 2

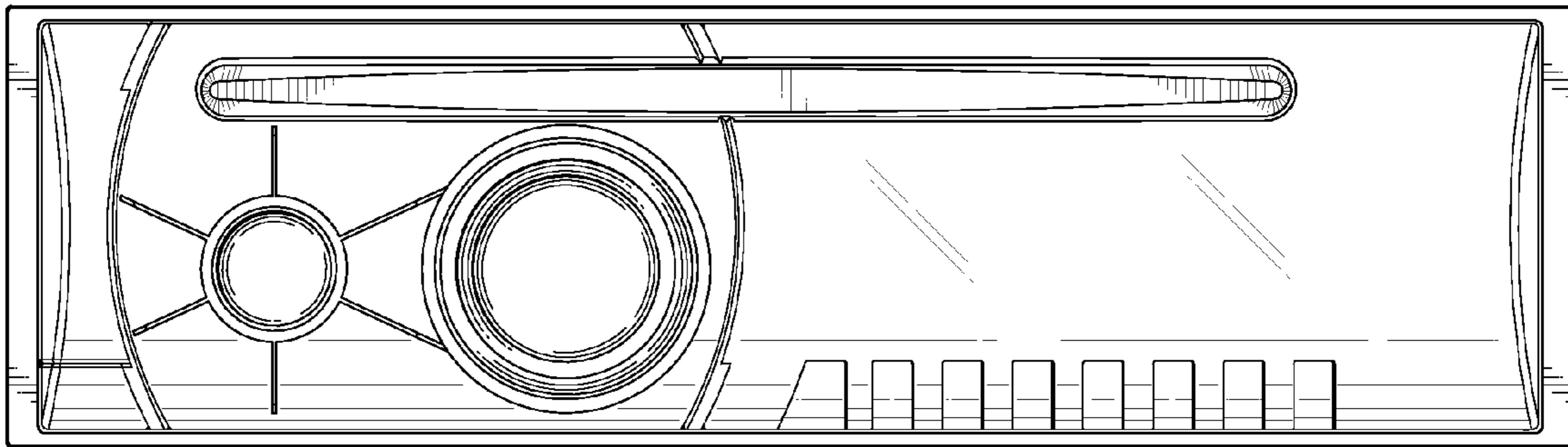


FIG. 3

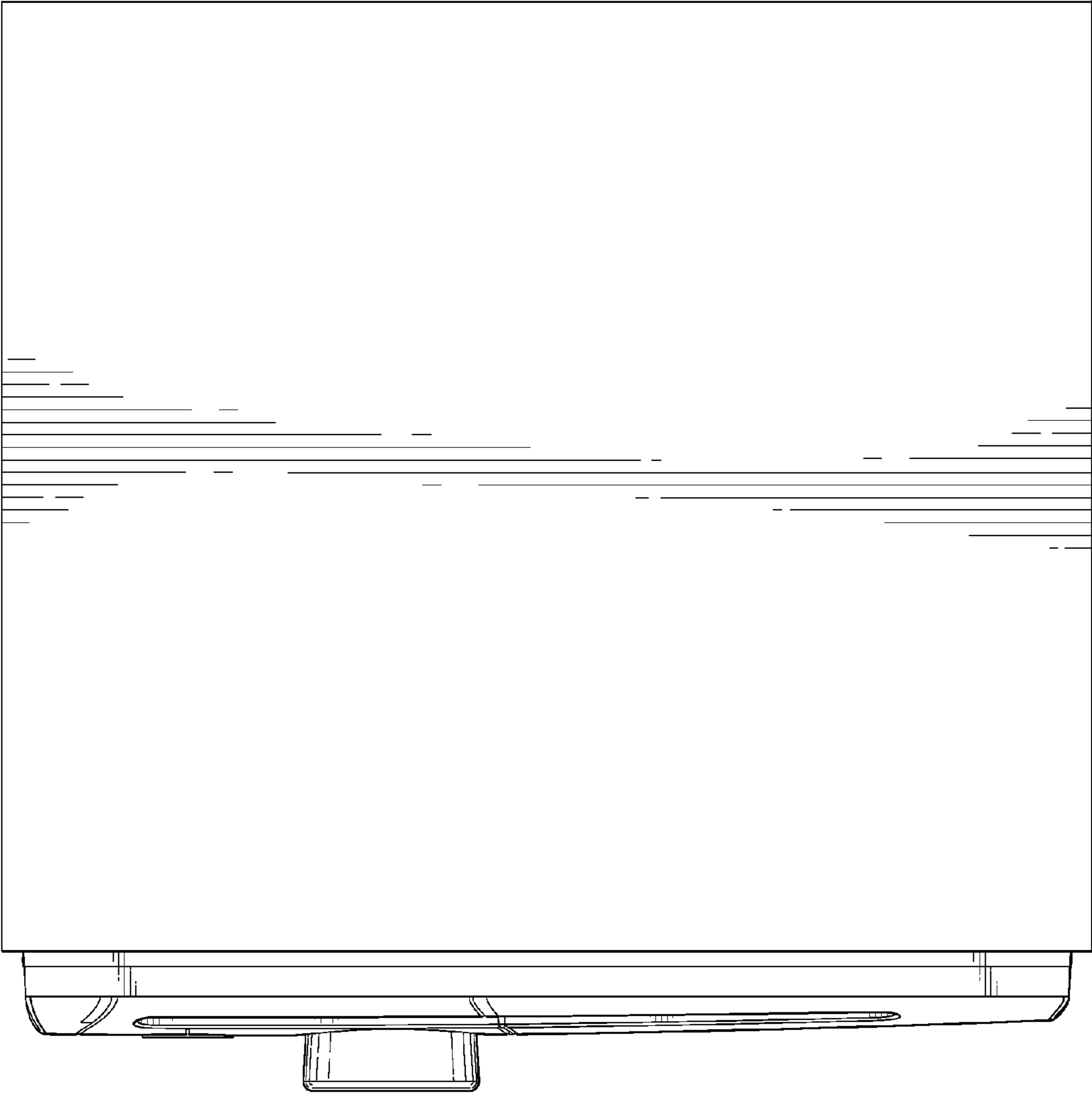


FIG. 4

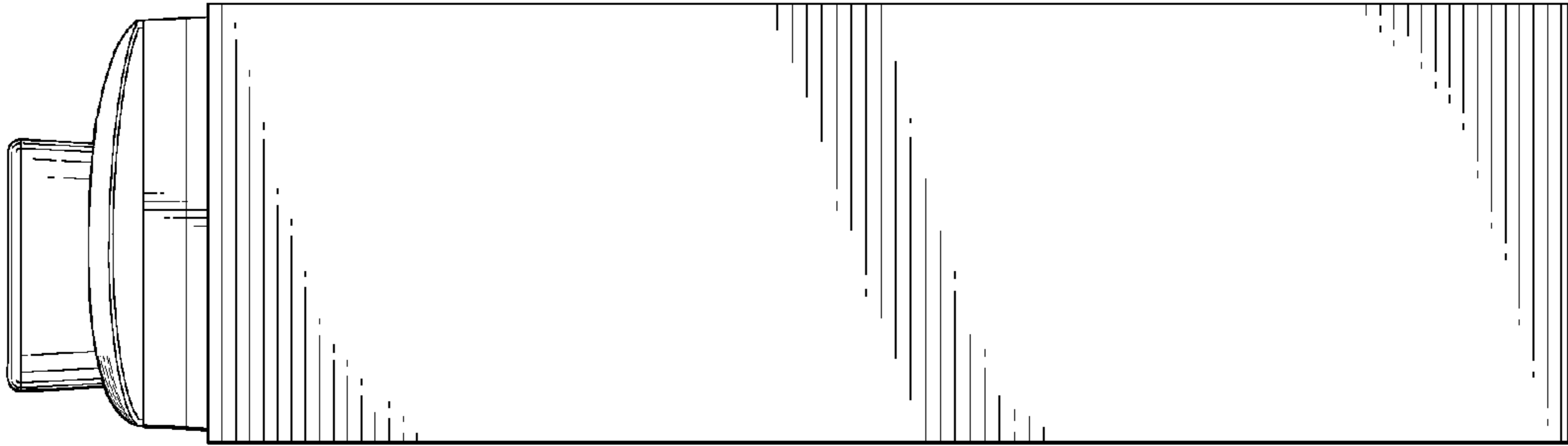


FIG. 5

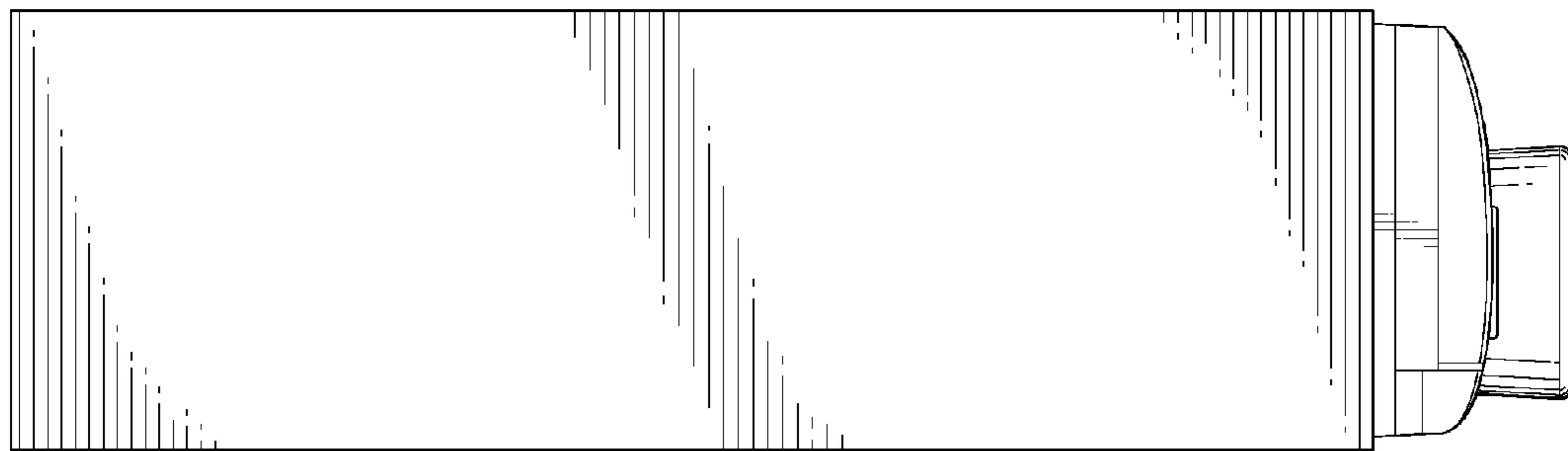


FIG. 6

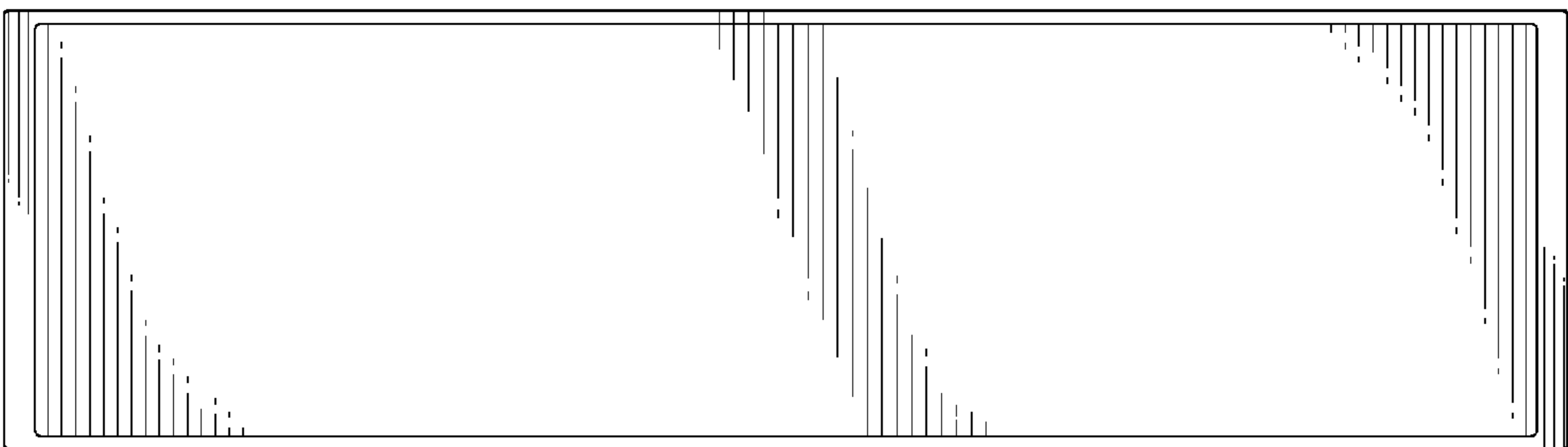


FIG. 7

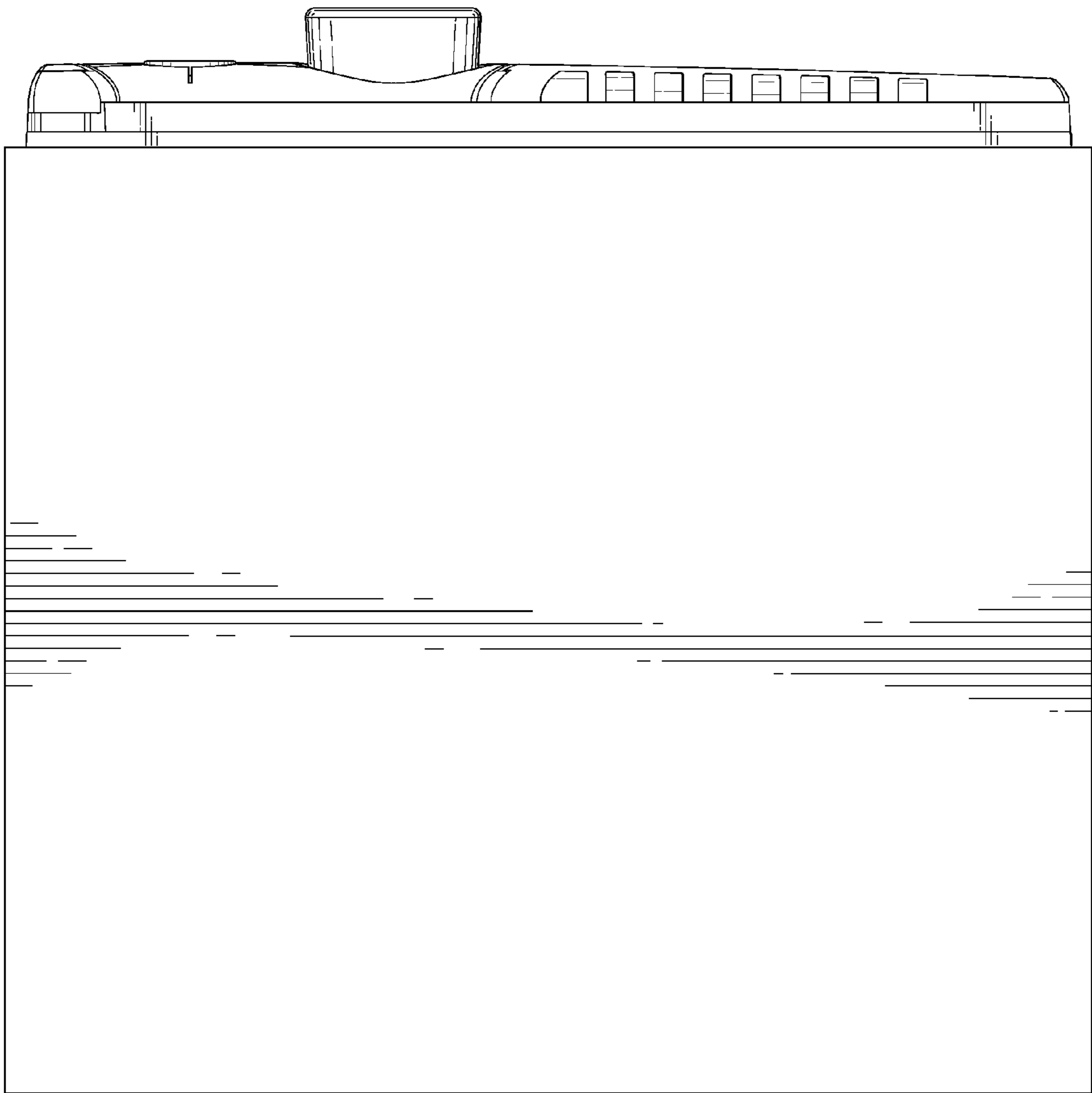


FIG. 8