



US00D611049S

(12) **United States Design Patent**
Kramer et al.

(10) **Patent No.:** **US D611,049 S**
(45) **Date of Patent:** **** Mar. 2, 2010**

(54) **BLADE INFORMATION HANDLING SYSTEM
CHASSIS BEZEL**

(75) Inventors: **Paul Kramer**, Austin, TX (US);
Richard Crisp, Austin, TX (US);
Vincent Lam, Austin, TX (US)

(73) Assignee: **Dell Products L.P.**, Round Rock, TX
(US)

(**) Term: **14 Years**

(21) Appl. No.: **29/275,832**

(22) Filed: **Jan. 8, 2007**

(51) **LOC (9) Cl.** **14-02**

(52) **U.S. Cl.** **D14/432**

(58) **Field of Classification Search** D14/300–302,
D14/308–314, 328, 348, 349, 356–370, 432,
D14/439–447, 465, 134; D13/123, 133,
D13/146, 147, 154, 156, 158, 162, 173, 175,
D13/177, 184, 110; 312/333, 332.1, 223.1;
361/683–686, 725–727; 439/372, 116, 157

See application file for complete search history.

(56) **References Cited**

U.S. PATENT DOCUMENTS

D324,039 S *	2/1992	Ansell et al.	D14/442
D362,247 S *	9/1995	Erickson et al.	D14/442
D365,090 S *	12/1995	Jackson et al.	D14/444
D399,191 S *	10/1998	Corrington et al.	D14/312
D400,186 S *	10/1998	Jones	D13/177
D424,027 S *	5/2000	Shoda et al.	D13/184
D424,526 S *	5/2000	Yang	D13/177
D430,564 S *	9/2000	Tsistinas	D14/308
D433,025 S *	10/2000	Bath	D14/441
D439,578 S *	3/2001	Murphy et al.	D14/311
D440,226 S *	4/2001	Harvey	D14/441
D458,609 S *	6/2002	Searby	D14/444
D469,099 S *	1/2003	Yuhan	D14/444
D471,912 S *	3/2003	Camarota et al.	D14/433
D479,839 S *	9/2003	Crisp et al.	D14/308

D480,086 S *	9/2003	Searby et al.	D14/444
D481,018 S *	10/2003	Frank et al.	D14/312
D481,384 S *	10/2003	Alo	D14/301
D483,377 S	12/2003	Mundt	D14/440
D483,766 S	12/2003	Mundt	D14/440
D494,975 S	8/2004	McClelland, II et al. ...	D14/435
D508,053 S *	8/2005	Cox et al.	D14/432
D517,560 S *	3/2006	Wang et al.	D14/439
D528,513 S *	9/2006	Grendahl	D13/177
D532,418 S *	11/2006	Crisp	D14/313
7,321,489 B2 *	1/2008	McAlister	361/679.33
D564,510 S *	3/2008	Cox et al.	D14/313
D578,538 S *	10/2008	Frank et al.	D14/441

* cited by examiner

Primary Examiner—Cathron C Brooks

Assistant Examiner—Deanna Fluegeman

(74) *Attorney, Agent, or Firm*—Hamilton & Terrile, LLP;
Robert W. Holland

(57) **CLAIM**

The ornamental design for a blade information handling system chassis bezel, as shown and described.

DESCRIPTION

FIG. 1A is a front perspective view of the blade information handling system chassis bezel comprising the present invention;

FIG. 1 is a front perspective view thereof showing the bezel in an open position;

FIG. 2 is a front view thereof;

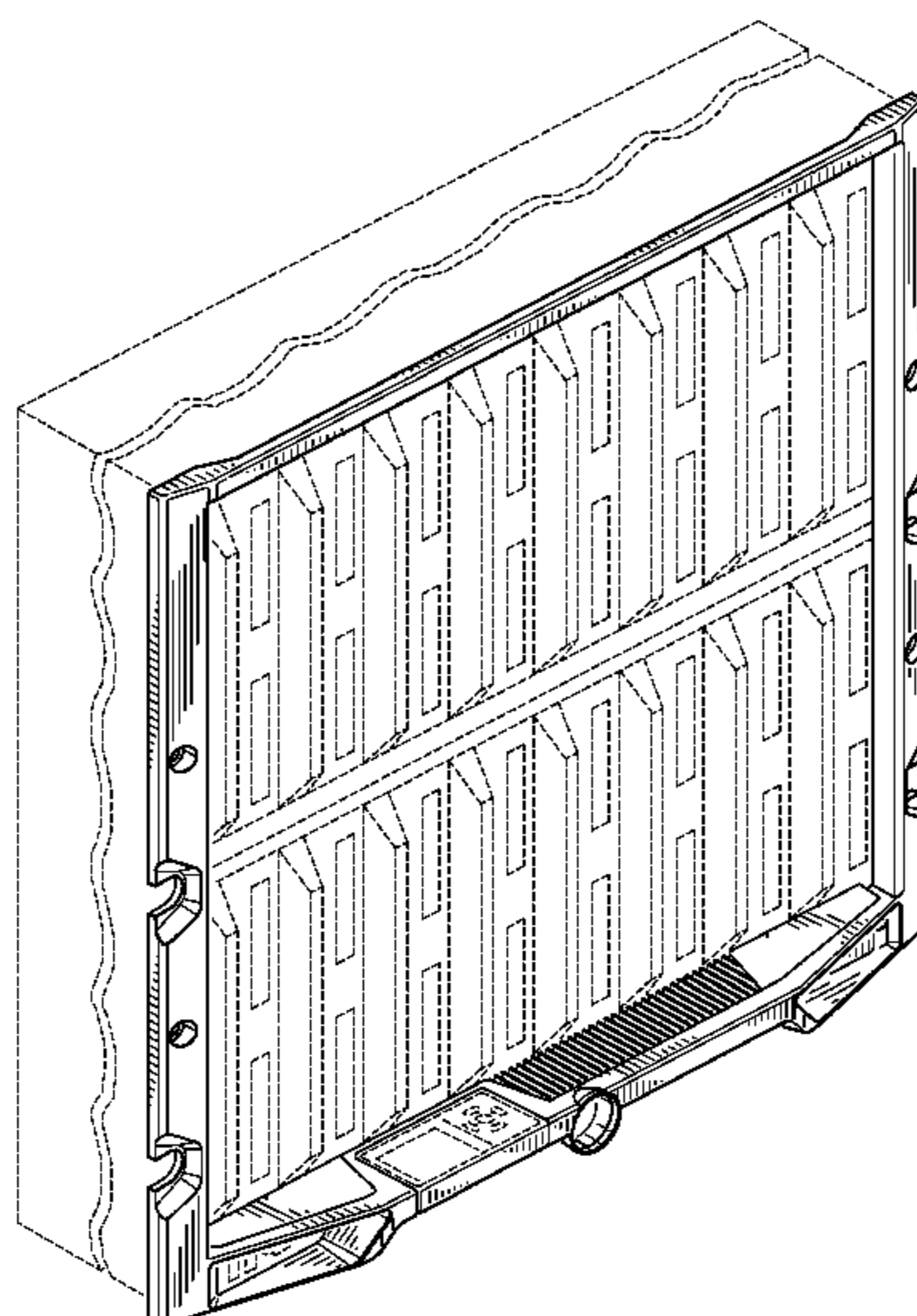
FIG. 3 is a left side view thereof;

FIG. 4 is a right side view thereof; and,

FIG. 5 is a top plan view thereof.

The broken line showing of the blade information handling system chassis is included for the purpose of illustrating unclaimed environmental structure and forms no part of the claimed design.

1 Claim, 3 Drawing Sheets



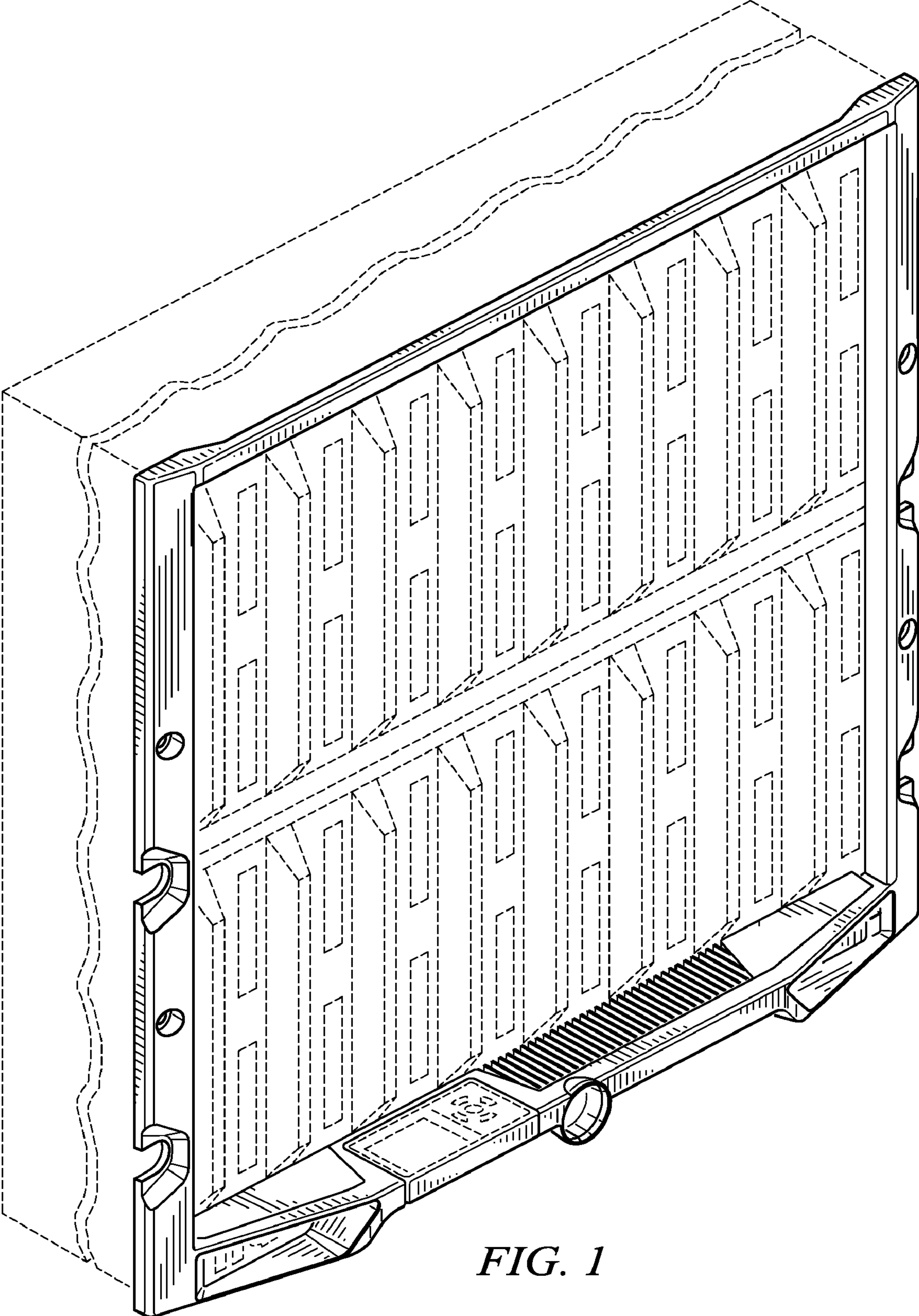


FIG. 1

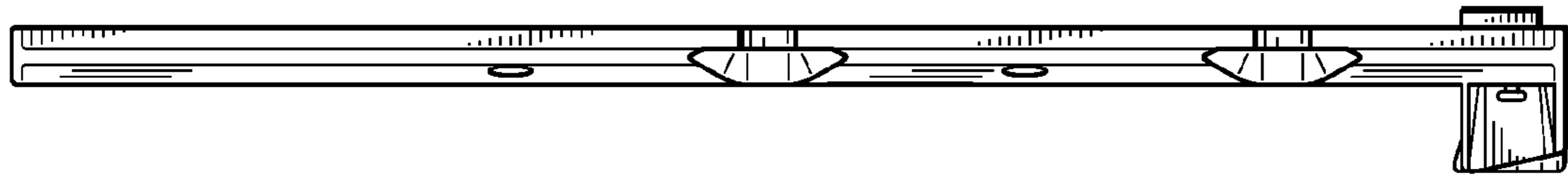


FIG. 3

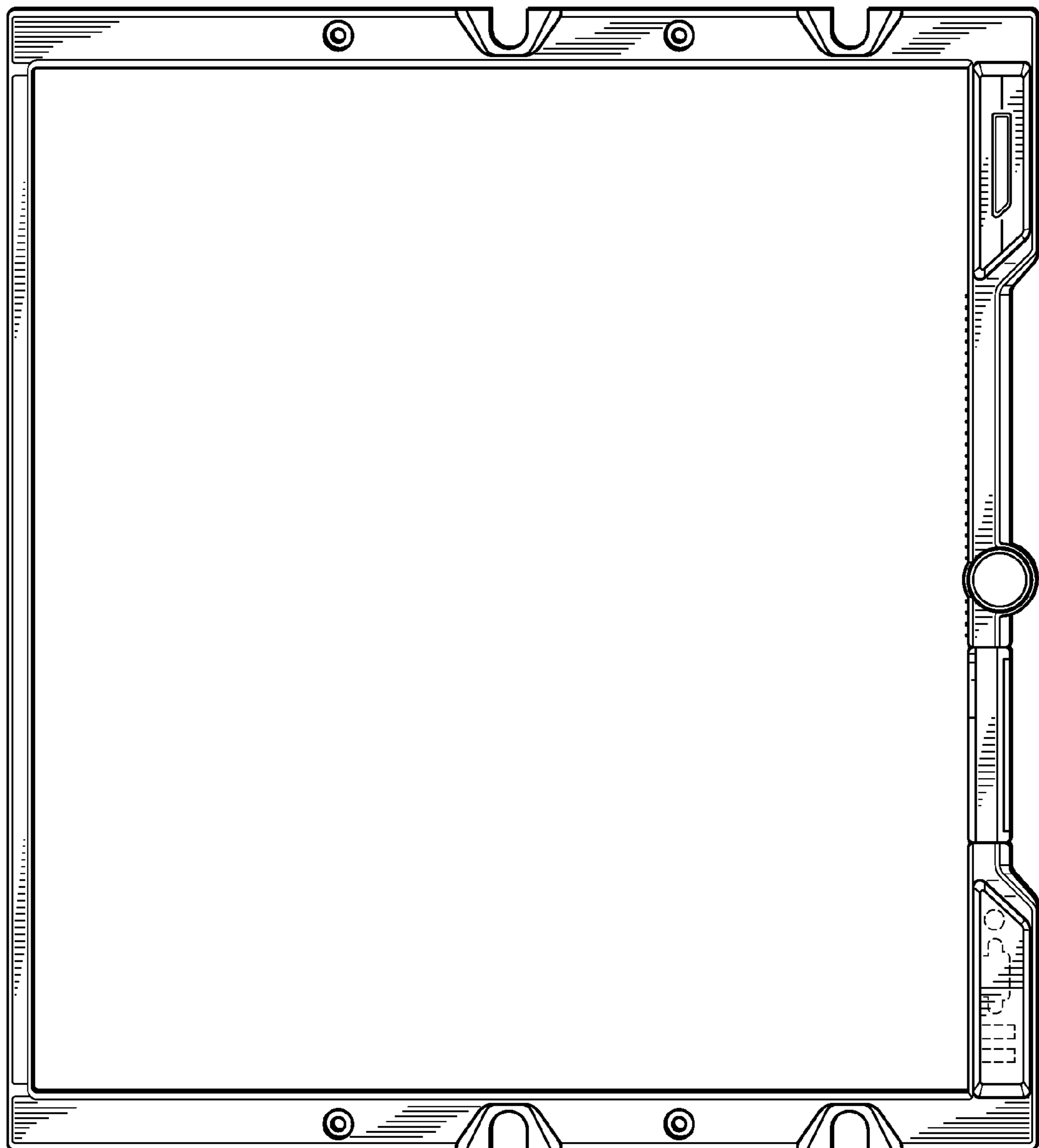


FIG. 2

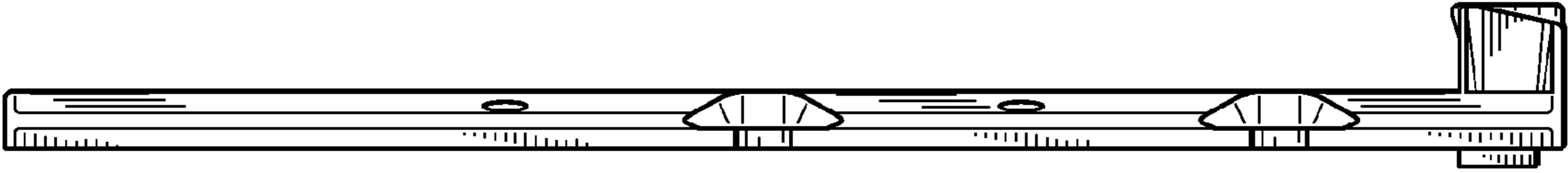


FIG. 4

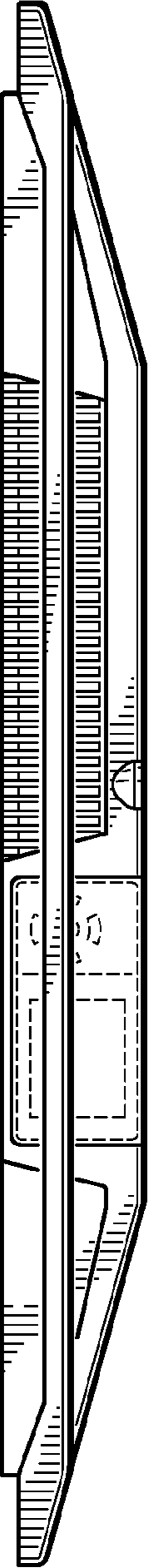


FIG. 5