



US00D611046S

(12) **United States Design Patent**
Smith et al.

(10) **Patent No.:** **US D611,046 S**
(45) **Date of Patent:** **** Mar. 2, 2010**

(54) **ELECTRONIC DEVICE**

(75) Inventors: **Renato L. Smith**, Chicago, IL (US);
Attila J. Bendeguz, Shelby Township,
IL (US)

(73) Assignee: **Originatic LLC**, Chicago, IL (US)

(**) Term: **14 Years**

(21) Appl. No.: **29/285,998**

(22) Filed: **Apr. 17, 2007**

(51) **LOC (9) Cl.** **14-02**

(52) **U.S. Cl.** **D14/331**

(58) **Field of Classification Search** D14/300,
D14/302, 314, 331, 335-337, 371, 125-129,
D14/146; 312/223.1-223.3; 361/680-686;
700/17; 211/26; 345/104, 156, 168, 173;
348/180, 184, 325, 739; 249/917-924; 349/1,
349/2, 11, 62; 341/12

See application file for complete search history.

(56) **References Cited**

U.S. PATENT DOCUMENTS

3,980,869 A 9/1976 Lombardino et al.

(Continued)

FOREIGN PATENT DOCUMENTS

DE 19909398 A1 9/2000

(Continued)

OTHER PUBLICATIONS

“Info Appliance Offers Nice Touches, but It’s Costly, Has Limitations” by Walter S. Mossberg, *The Wall Street Journal*, Personal Technology, col. B2, Jul. 21, 2005.

(Continued)

Primary Examiner—Freda S Nunn

(57) **CLAIM**

The ornamental design for an electronic device, as shown and described.

DESCRIPTION

A portion of the disclosure of this patent document contains or may contain material which is subject to copyright protection. The copyright owner has no objection to the photocopy reproduction by anyone of the patent document or the patent disclosure in exactly the form it appears in the Patent and Trademark Office patent file or records, but otherwise reserves all copyright rights whatsoever.

This application is related to the following commonly-owned co-pending patent applications:

a. U.S. patent application Ser. No. 11/315,830, filed on Dec. 22, 2005, entitled “Electronic Device Having A Movable Input Assembly With Multiple Input Sides”;

b. U.S. patent application Ser. No. 11/509,392, filed on Aug. 24, 2006, entitled “Electronic Device Having An Input Device Movable Inward/Outward and About An Axis”;

c. U.S. patent application Ser. No. 11/787,999, filed on Apr. 17, 2007, entitled “Assembly Having a Main Unit and a Mounting Unit”.

FIG. 1 is a front left side perspective view of an electronic device shown open with the input section being in the first orientation, and the cord being shown in an indeterminate length;

FIG. 2 is a right side perspective view thereof;

FIG. 3 is a right side perspective view thereof shown closed with the input section being in the second orientation;

FIG. 4 is a front, left side perspective view thereof in the opened position;

FIG. 5 is a right side perspective view thereof;

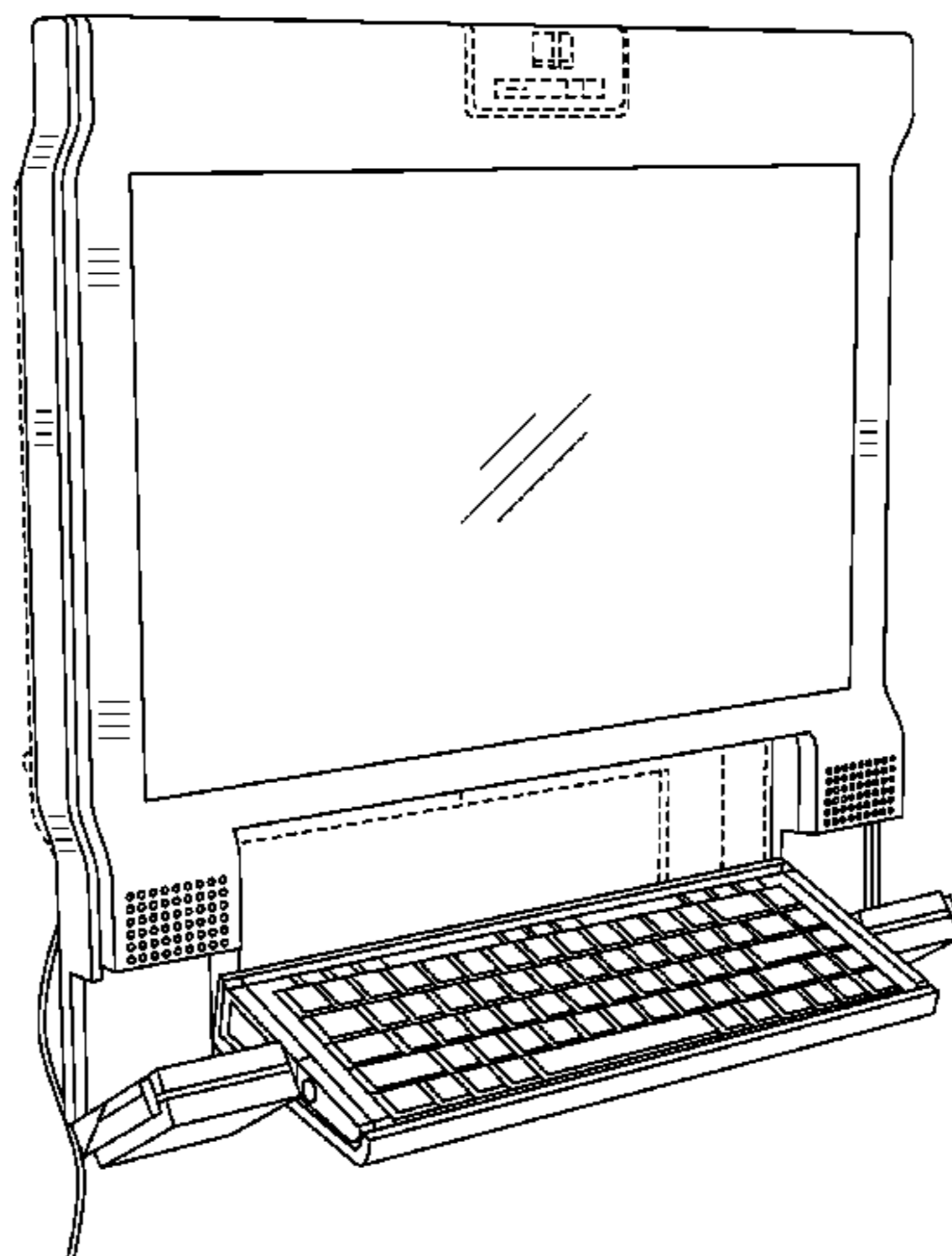
FIG. 6 is a front, left side perspective view thereof in a closed and standing position;

FIG. 7 is a front, left side perspective view thereof in a closed and standing position with the input section being in the first orientation; and,

FIG. 8 is a front, left side perspective view thereof in an opened and standing position with the input section being in the second orientation.

Broken lines shown in the drawings illustrate portions of the electronic device and environment only and form no part of the claimed design.

1 Claim, 8 Drawing Sheets



U.S. PATENT DOCUMENTS

4,281,874 A 8/1981 Iwans et al.
4,718,740 A 1/1988 Cox
4,922,980 A 5/1990 Parker
4,982,618 A 1/1991 Culver
5,168,423 A 12/1992 Ohgami et al.
5,229,757 A 7/1993 Takamiya et al.
5,262,762 A 11/1993 Westover et al.
D349,693 S * 8/1994 Brossardt D14/302
5,351,066 A 9/1994 Rucker et al.
D351,160 S * 10/1994 Massey et al. D14/146
5,388,032 A * 2/1995 Gill et al. 700/17
5,438,331 A 8/1995 Gilligan et al.
5,615,081 A 3/1997 Ma
5,629,832 A 5/1997 Sellers
5,657,370 A 8/1997 Tsugane et al.
5,673,169 A 9/1997 Wicks
5,800,085 A 9/1998 Lee
D404,025 S * 1/1999 Van Horne et al. D14/331
5,944,432 A 8/1999 Richardson
5,996,956 A 12/1999 Shawver
6,095,702 A 8/2000 Garbacik
6,121,958 A 9/2000 Clark et al.
6,189,849 B1 2/2001 Sweere et al.
6,233,138 B1 * 5/2001 Osgood 361/681
6,256,018 B1 7/2001 Zarek
6,381,132 B1 4/2002 Nakamoto
6,411,502 B1 6/2002 Burrell
6,414,840 B2 7/2002 Suzuki
6,480,372 B1 11/2002 Vong et al.
6,587,094 B2 7/2003 Anderson
6,621,691 B2 9/2003 Howell
6,628,508 B2 9/2003 Lieu et al.
6,628,510 B2 9/2003 Genin
6,665,175 B1 * 12/2003 deBoer et al. 361/681
6,680,843 B2 1/2004 Farrow et al.
6,688,518 B1 2/2004 Valencia et al.
6,700,774 B2 3/2004 Chien et al.
D494,582 S * 8/2004 Lancaster, Jr. D14/335
6,791,826 B2 9/2004 Ho
6,795,304 B1 9/2004 Lam
6,807,054 B1 * 10/2004 Waller et al. 361/683
6,827,409 B2 * 12/2004 Michael 312/223.3
6,856,505 B1 * 2/2005 Venegas et al. 361/683
6,909,408 B2 6/2005 Matko et al.
6,945,412 B2 * 9/2005 Felcman et al. 211/26
6,956,735 B2 * 10/2005 Lee et al. 361/683
7,004,430 B2 2/2006 Weekly
7,019,963 B2 * 3/2006 Lee et al. 361/683
D551,224 S * 9/2007 Hatling et al. D14/331
2002/0070922 A1 6/2002 Zarek
2002/0190172 A1 12/2002 Oddsen, Jr.
2003/0184957 A1 10/2003 Stahl et al.
2004/0208681 A1 10/2004 Dechene
2004/0227733 A1 11/2004 Fyke et al.
2004/0246234 A1 12/2004 Serra et al.
2005/0139679 A1 6/2005 Salvato
2005/0148395 A1 7/2005 Kim et al.
2005/0195561 A1 9/2005 Smith
2005/0243505 A1 * 11/2005 Jackson, Jr. 361/683
2006/0098403 A1 5/2006 Smith
2006/0208139 A1 9/2006 Mossman
2007/0047193 A1 3/2007 Smith
2007/0247800 A1 10/2007 Smith et al.

FOREIGN PATENT DOCUMENTS

DE 10314554 A1 10/2004

JP 4000620 1/1992

OTHER PUBLICATIONS

In-Vehicle Computer, Stargate Mobile [online]. [retrieved on Nov. 3, 2005]. Retrieved from the Internet: <<http://www.stargatemobile.com/ASC.html>>.
Saranow, Jennifer and Chon, Gina, Coming Soon to Your Car, *The Wall Street Journal*, p. D1 (Nov. 3, 2005), pp. 1-4.
Panel PC, Panel Industrial Systems, year 2002 [online]. [retrieved on Aug. 21, 2006]. Retrieved from the Internet: <http://webarchive.org/web/20030902013810/www.panelpc.com/2002/>.
“Sony’s All-in-One Desktop” by Bill Howard, PC Magazine, dated Nov. 8, 2002 [retrieved on Jan. 7, 2007]. Retrieved from the Internet: <<http://www.pcmag.com/article2/0,4149,677305,00.asp>>.
SuperLogics, SL-PPC-120 [online]. [retrieved on Aug. 2, 2006]. Retrieved from the Internet: <<http://www.superlogics.com/industrial-computers/panel-pc-computer/SL-PPC-120/35-1900.htm>>.
Medical Computers Compilation, compiled by Originatic LLC, Jan. 8, 2007, pp. 1-16.
Beyond Icebox Flipscreen ’04 Kitchen Entertainment, eSalton [online]. [retrieved on Aug. 16, 2006]. Retrieved from the Internet: <<http://www.esalton.com/control/product>>.
Wall Computers with Keyboard Compilation, compiled by Originatic LLC, Jun. 20, 2007, pp. 1-26.
Datalux—Internet Archive Wayback Machine for www.datalux.com, dated Jan. 25, 2004, 2 pages [online]. [retrieved on Aug. 12, 2007]. Retrieved from the Internet: <http://web.archive.org/web/*http://www.datalux.com>.
Flat Panel—Internet Archive Wayback Machine for www.flat-panel-mount.com, dated Jan. 21, 2004, 5 pages [online]. [retrieved on Aug. 12, 2007]. Retrieved from the Internet: <http://web.archive.org/web/*http://www.flat-panel-mount.com>.
ISS—Internet Archive Wayback Machine for www.issltd.co.uk, dated Feb. 7, 2004, 3 pages [online]. [retrieved on Aug. 12, 2007]. Retrieved from the Internet: <http://web.archive.org/web/*http://www.issltd.co.uk>.
Infologix—Internet Archive Wayback Machine for www.infologixsys.com, dated Jan. 8, 2004, 3 pages [online]. [retrieved on Aug. 12, 2007]. Retrieved from the Internet: <http://web.archive.org/web/*http://www.infologixsys.com>.
Sony’s All-in-One Desktop—Enlarged Product Image, by Bill Howard, PC Magazine, dated Nov. 8, 2002 [retrieved on Aug. 12, 2007]. Retrieved from the Internet: <<http://www.pcmag.com/article2/0,4149,677305,00.asp>>.
Beyond Digital Living—Press, Salton’s Beyond Icebox FlipScreen Wins the Consumer Electronics Association Mark of Excellence Award, Seattle—Mar. 7, 2003, 2 pages [online]. [retrieved on Aug. 12, 2007]. Retrieved from the Internet: <http://www.beyondconnectedhome.com/aboutus/press/pr_030307.html>.
All-In-One Multimedia Powerhouse, Cnet [online]. [retrieved on or before Oct. 5, 2006]. Retrieved from the Internet: <<http://www.cnet.com>>.
Boldata LCD PC CP414 Series, Cnet [online]. [retrieved on or before Oct. 5, 2006]. Retrieved from the Internet: <<http://www.cnet.com>>.
I-One All-In-One LCD PC-TV, Cnet [online]. [retrieved on or before Oct. 5, 2006]. Retrieved from the Internet: <<http://www.cnet.com>>.
Sinocan All-In-One PC 2006, Cnet [online]. [retrieved on or before Oct. 5, 2006]. Retrieved from the internet: <<http://www.cnet.com>>.
Tek Panel 320, Cnet [online]. [retrieved on or before Oct. 5, 2006]. Retrieved from the Internet: <<http://www.cnet.com>>.
Gateway’s Media Center PC, Cnet, dated Jan. 7, 2004 [online]. [retrieved on or before Oct. 5, 2006]. Retrieved from the Internet: <<http://www.cnet.com>>.
Gateway Profile 6C, Cnet, dated Oct. 12, 2006 [online]. [retrieved on or before Oct. 5, 2006]. Retrieved from the Internet: <<http://www.cnet.com>>.
MPC’s ClientPro Line, Cnet, dated Jul. 21, 2003 [online]. [retrieved on or before Oct. 5, 2006]. Retrieved from the Internet: <<http://www.cnet.com>>.

* cited by examiner

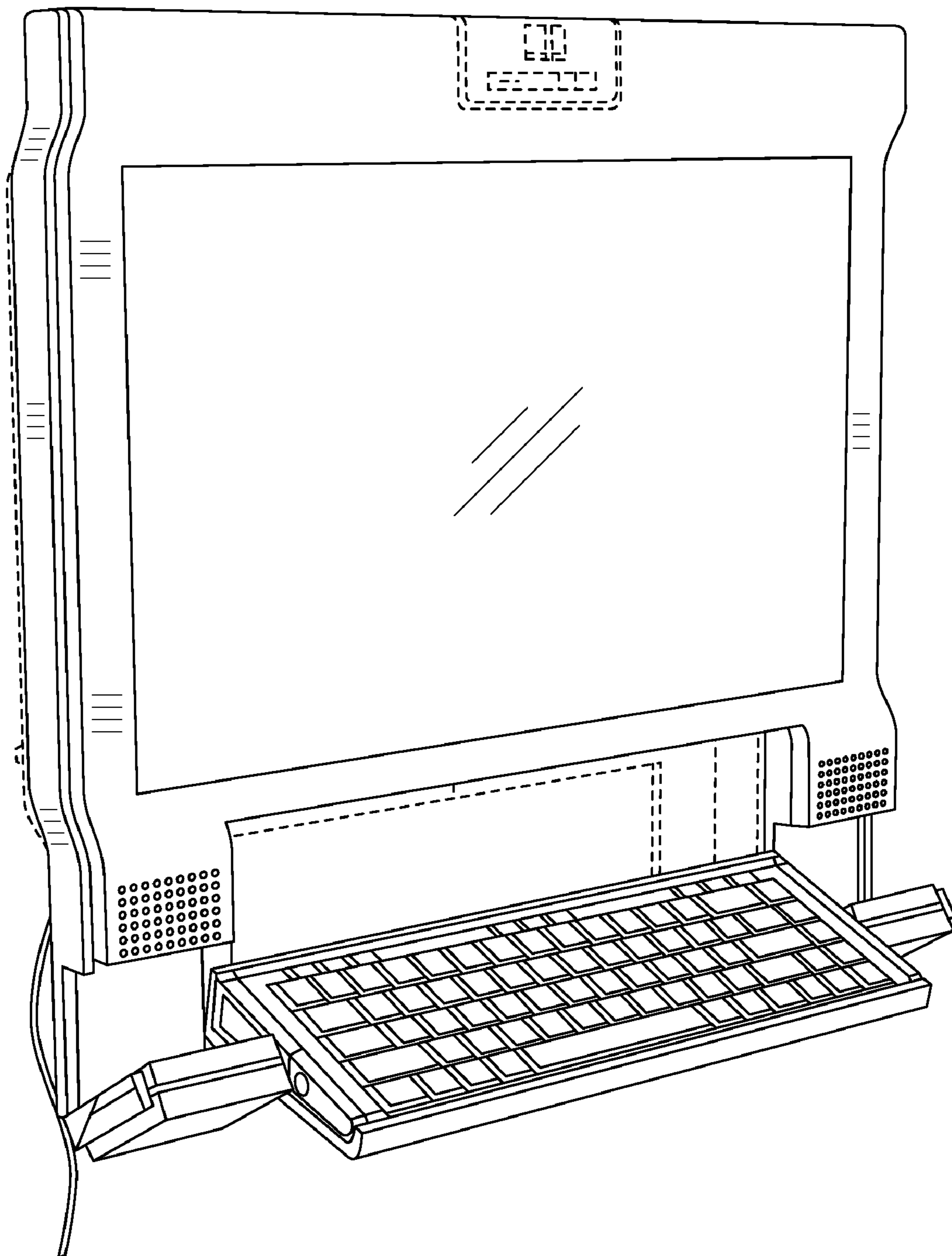


FIG. 1

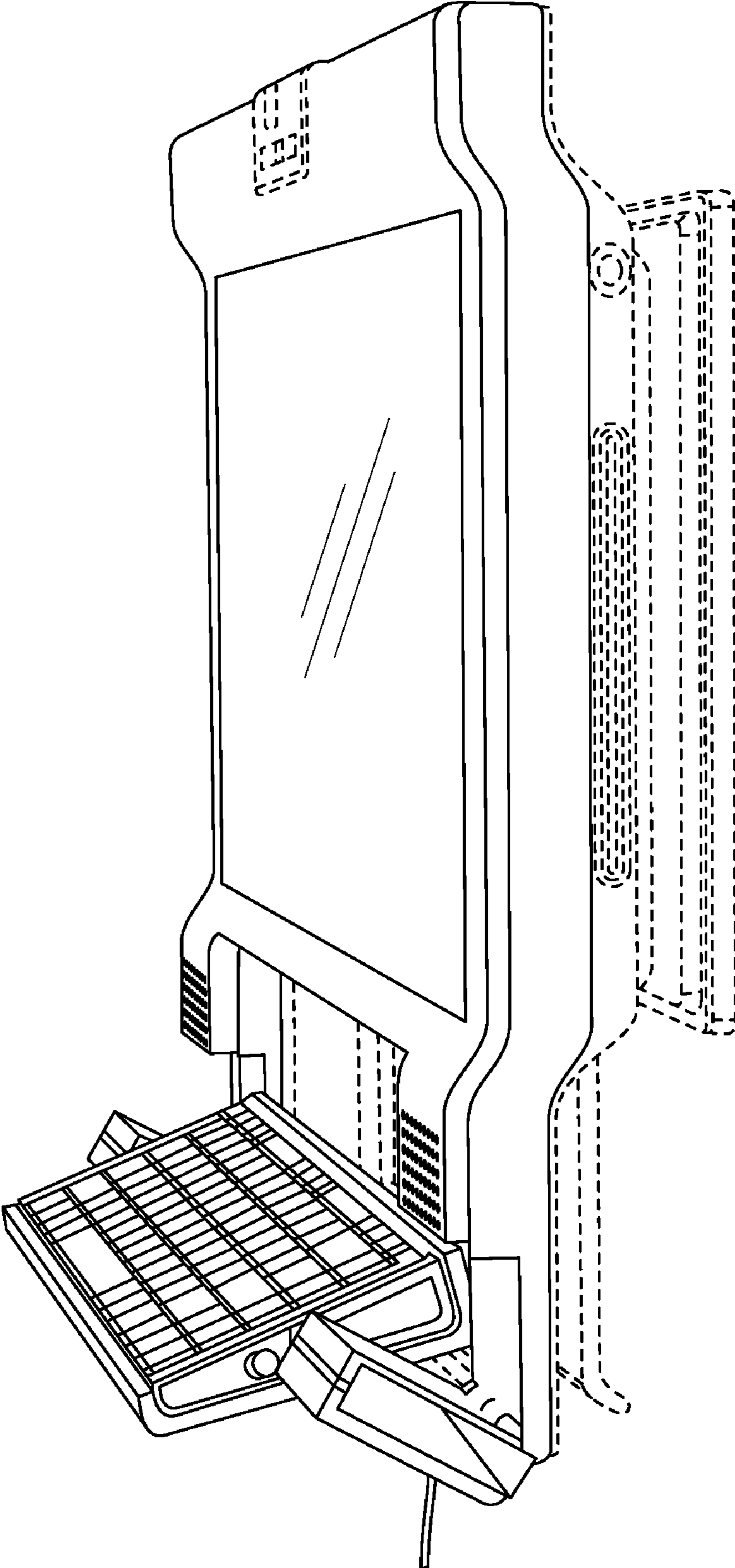


FIG. 2

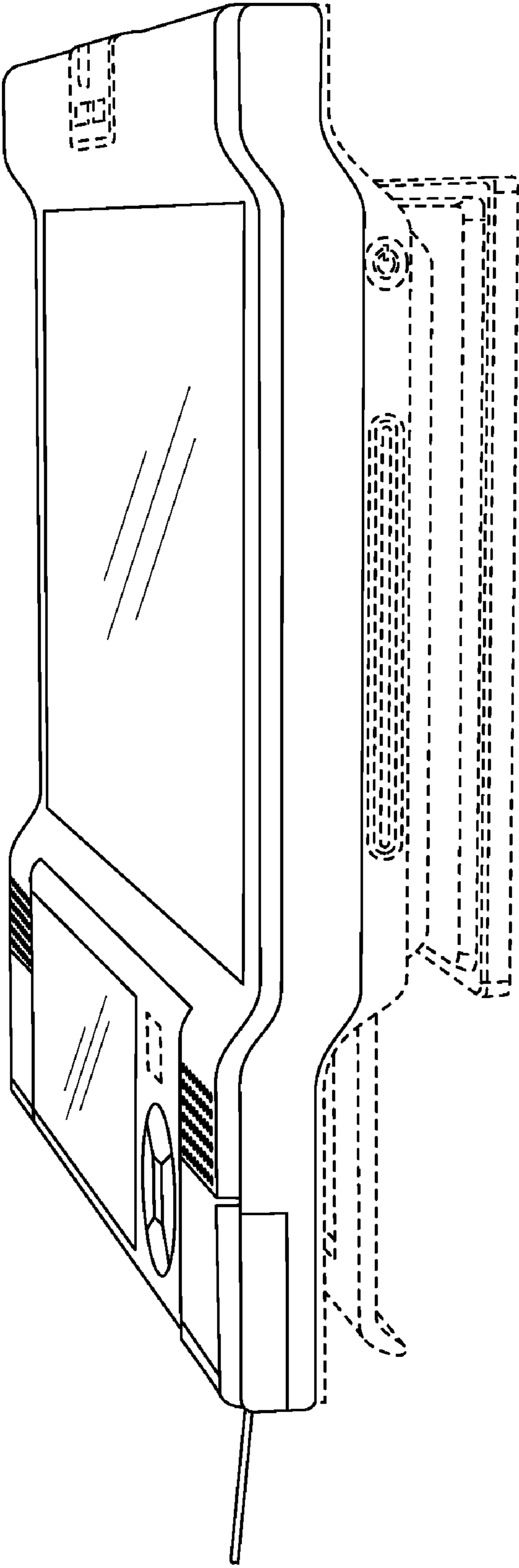


FIG. 3

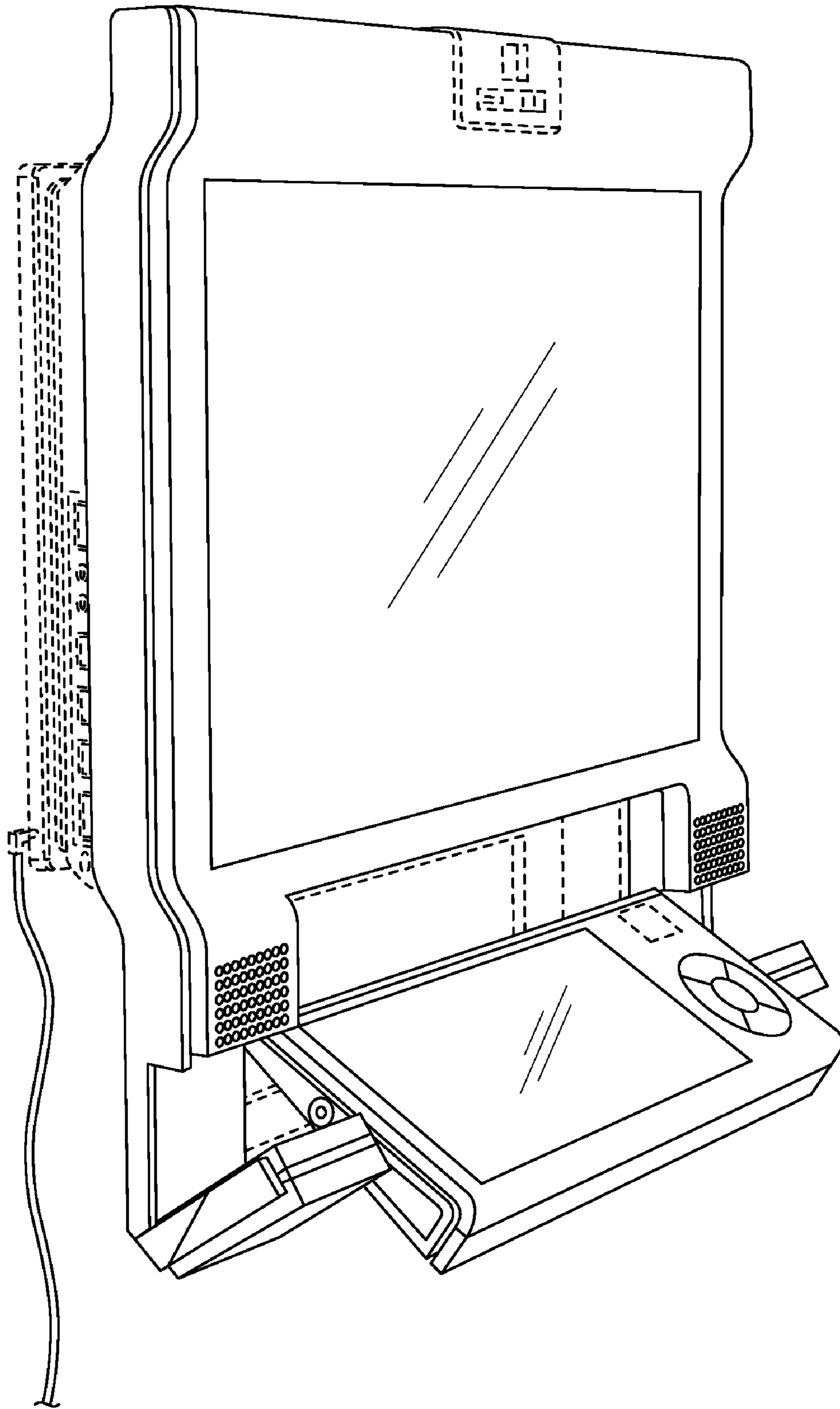


FIG. 4

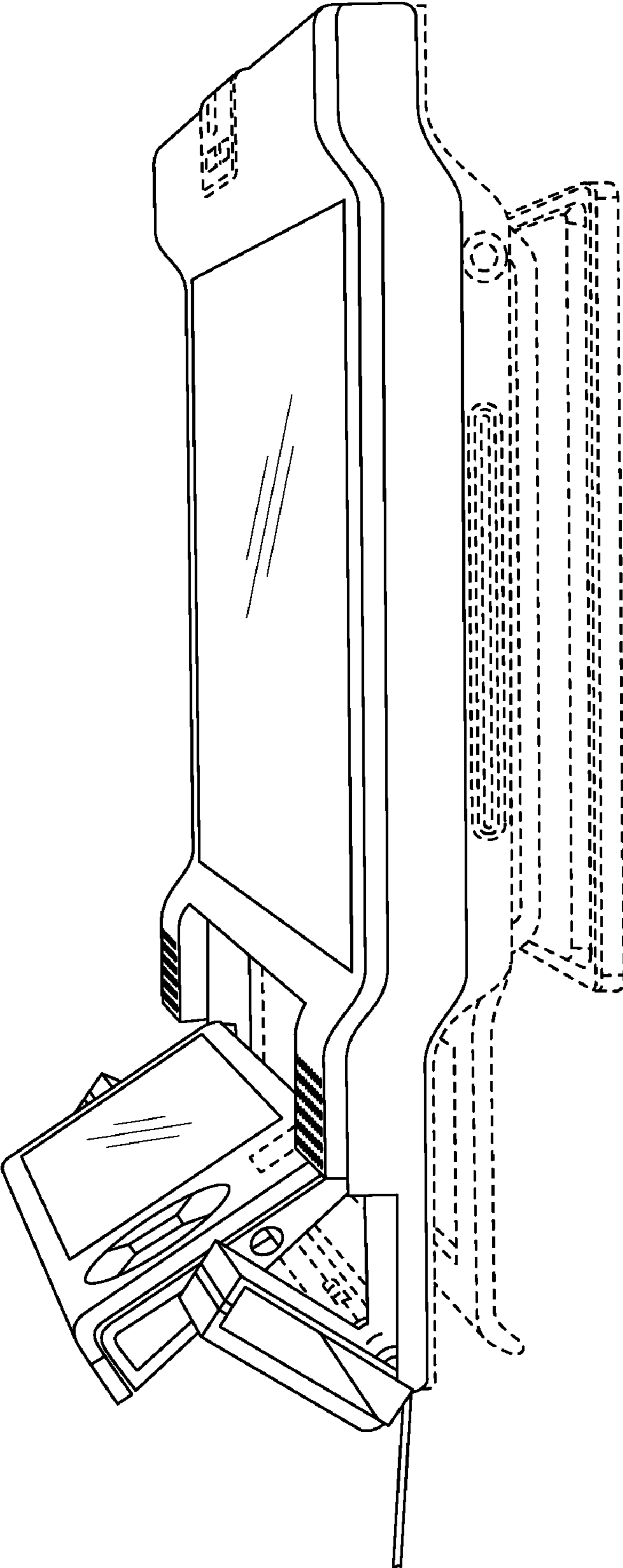


FIG. 5

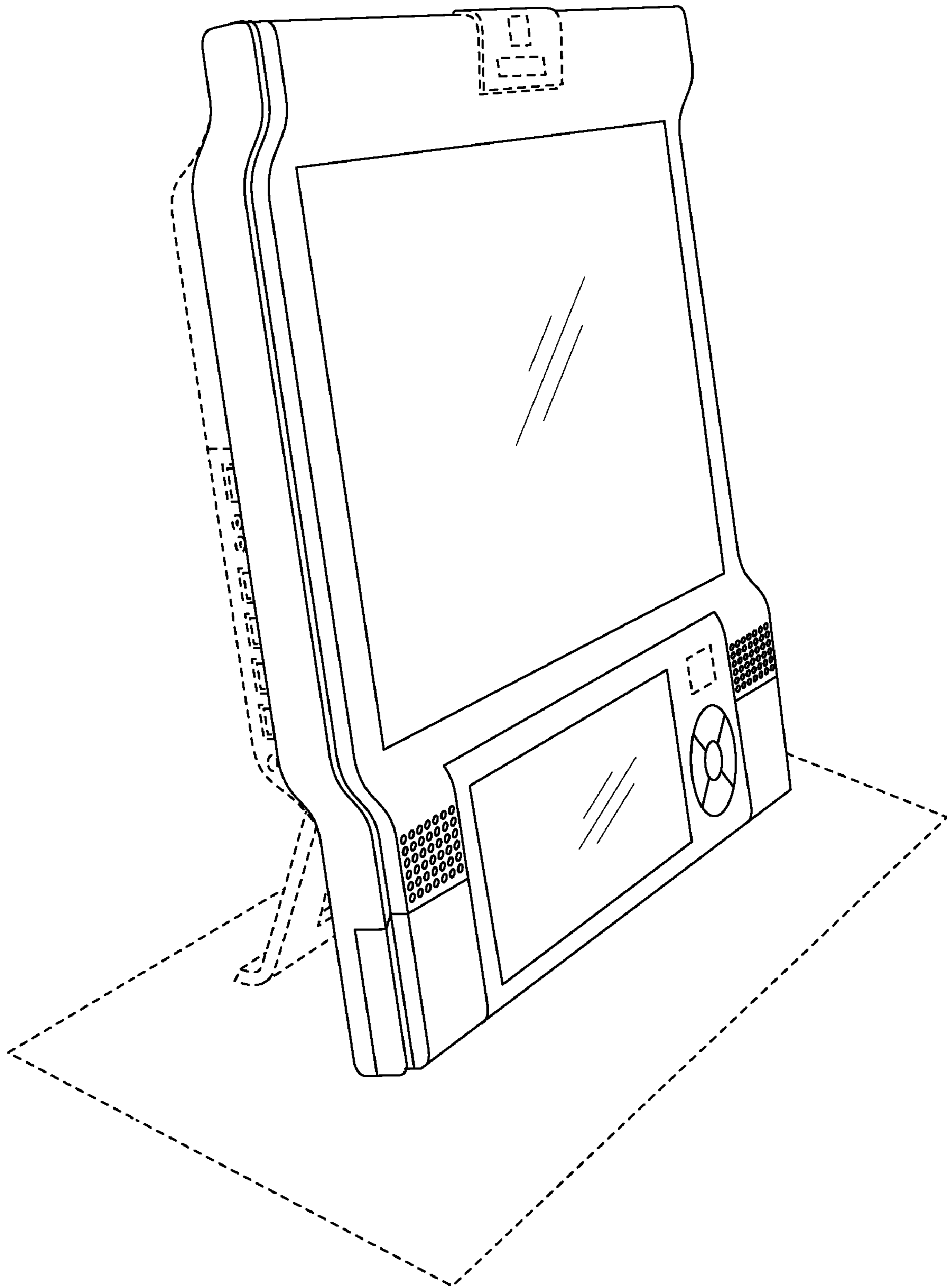


FIG. 6

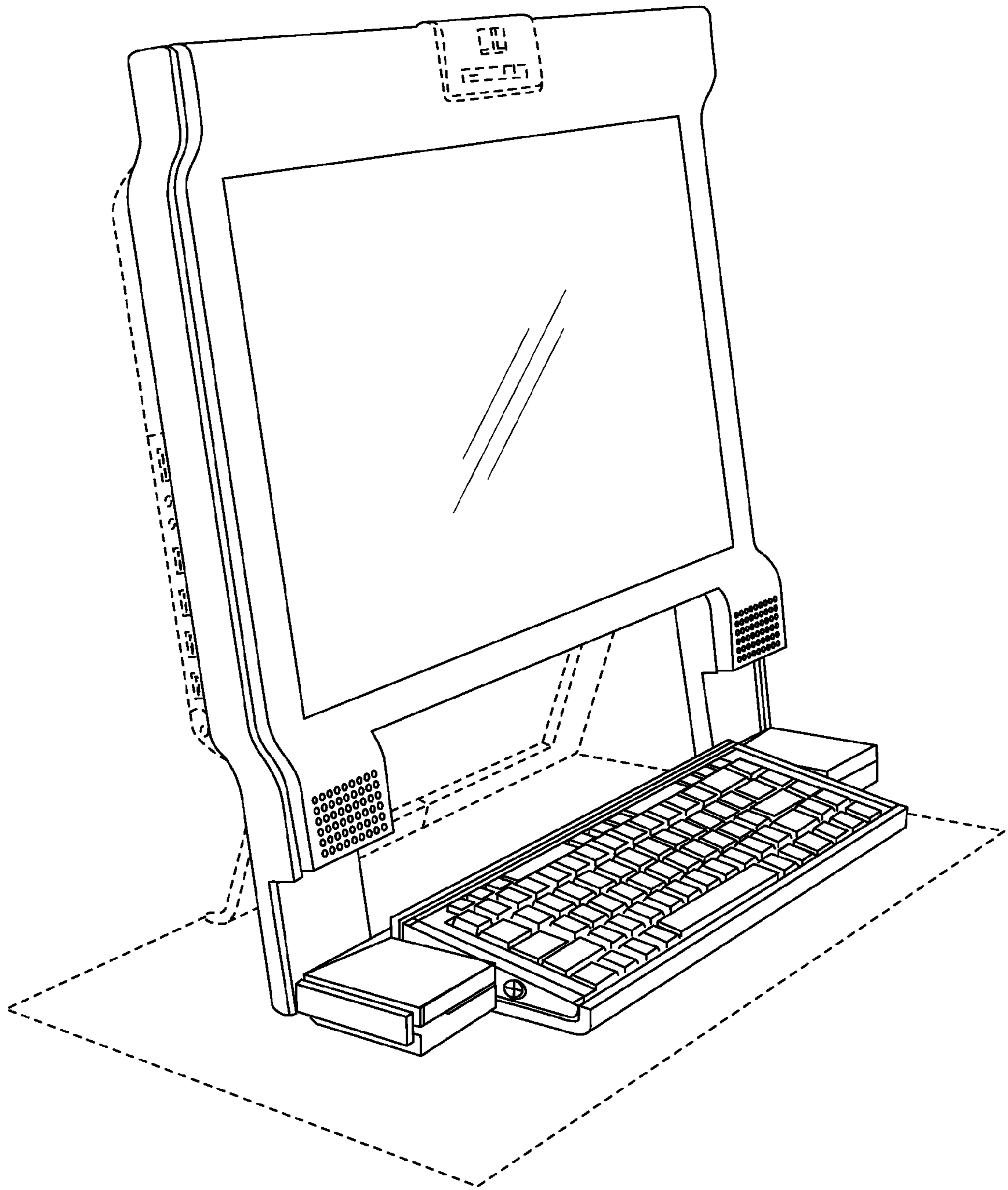


FIG. 7

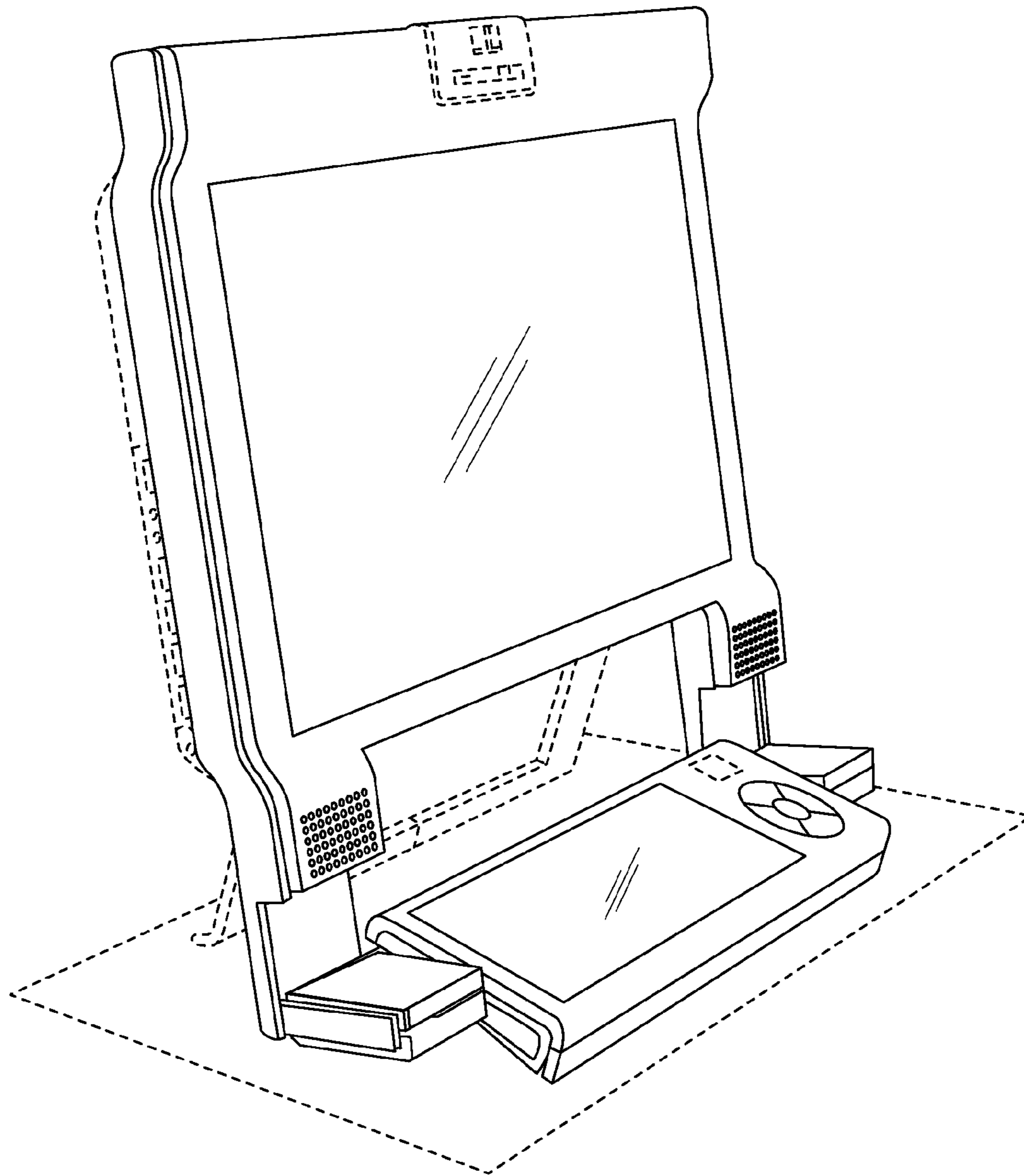


FIG. 8