



US00D611041S

(12) **United States Design Patent**  
**Eguchi et al.**

(10) **Patent No.:** **US D611,041 S**  
(45) **Date of Patent:** **\*\* Mar. 2, 2010**

(54) **HANDSET**

(75) Inventors: **Shunjiro Eguchi**, Espoo (FI); **Juha Pirttilahti**, Nokia (FI)

(73) Assignee: **Nokia Corporation**, Espoo (FI)

(\*\*) Term: **14 Years**

(21) Appl. No.: **29/328,348**

(22) Filed: **Nov. 21, 2008**

(51) **LOC (9) Cl.** ..... **14-03**

(52) **U.S. Cl.** ..... **D14/248**

(58) **Field of Classification Search** ..... D14/247–248,  
D14/138 R, 138 AD, 138 AC, 138 C, 138 G,  
D14/191, 203.1–203.8, 496, 144, 244, 432,  
D14/439, 455, 456, 138 AA, 138 AB, 137,  
D14/147, 218, 341–347; D10/65, 78, 104;  
D13/168; D18/7; 455/566, 575.1, 575.3;  
345/169

See application file for complete search history.

(56) **References Cited**

**U.S. PATENT DOCUMENTS**

D491,156 S *	6/2004	Kawakami et al. ....	D14/138 G
D496,944 S *	10/2004	Huang .....	D14/203.4
D511,342 S *	11/2005	Chien .....	D14/346
D530,699 S *	10/2006	Lee et al. ....	D14/138 G
7,181,256 B2 *	2/2007	Hyun et al. ....	455/575.3
D538,773 S *	3/2007	Joung .....	D14/138 AA
D548,212 S *	8/2007	Lee .....	D14/138 AB
D548,713 S *	8/2007	Lee et al. ....	D14/138 AD
D555,134 S *	11/2007	Sung et al. ....	D14/138 AC
D558,720 S *	1/2008	Lee et al. ....	D14/138 AD
D560,193 S *	1/2008	Sung et al. ....	D14/138 AD
D571,234 S *	6/2008	Reeson et al. ....	D10/65
D572,695 S *	7/2008	Tu .....	D14/138 AD
D578,098 S *	10/2008	Oh .....	D14/138 AD
D578,503 S *	10/2008	Shin et al. ....	D14/138 AD
D580,396 S *	11/2008	Kang .....	D14/138 G
D581,385 S *	11/2008	Park et al. ....	D14/138 AD
D581,894 S *	12/2008	Kim .....	D14/138 G
D585,411 S	1/2009	Eaton	
D588,085 S *	3/2009	Lin .....	D14/138 AD
D589,924 S *	4/2009	Jung et al. ....	D14/138 AD
D593,987 S *	6/2009	Lin .....	D14/138 AB

2004/0058705 A1 *	3/2004	Morgan et al. ....	455/556.1
2005/0245296 A1 *	11/2005	Hong et al. ....	455/575.3
2008/0039157 A1 *	2/2008	Park .....	455/575.1
2008/0051161 A1 *	2/2008	Tashiro .....	455/575.1
2008/0132288 A1 *	6/2008	Misawa .....	455/566

**OTHER PUBLICATIONS**

HTC Touch HD, announced Sep. 2008, [online], [retrieved on Sep. 19, 2008]. Retrieved from Internet ,<URL: <http://www.gsmarena.com>>.\*

HTC Touch Pro2, announced Feb. 2009, [online], [retrieved on Feb. 20, 2009]. Retrieved from Internet ,<URL: <http://www.gsmarena.com>>.\*

Nokia N97, announced Nov. 2008, [online], [retrieved on Dec. 12, 2008]. Retrieved from Internet ,<URL: <http://www.gsmarena.com>>.\*

LG KT610, announced Feb. 2008, [online], [retrieved on Mar. 21, 2008 & Sep. 5, 2008]. Retrieved from Internet ,<URL: <http://www.gsmarena.com>>.\*

\* cited by examiner

*Primary Examiner*—Jeffrey D Asch

*Assistant Examiner*—Bridget L Eland

(74) *Attorney, Agent, or Firm*—Banner & Witcoff, Ltd.

(57) **CLAIM**

The ornamental design for a handset, as shown and described.

**DESCRIPTION**

FIG. 1 is a perspective front view of a handset showing my new design;

FIG. 2 is a front view thereof;

FIG. 3 is a right side view thereof;

FIG. 4 is a left side view thereof;

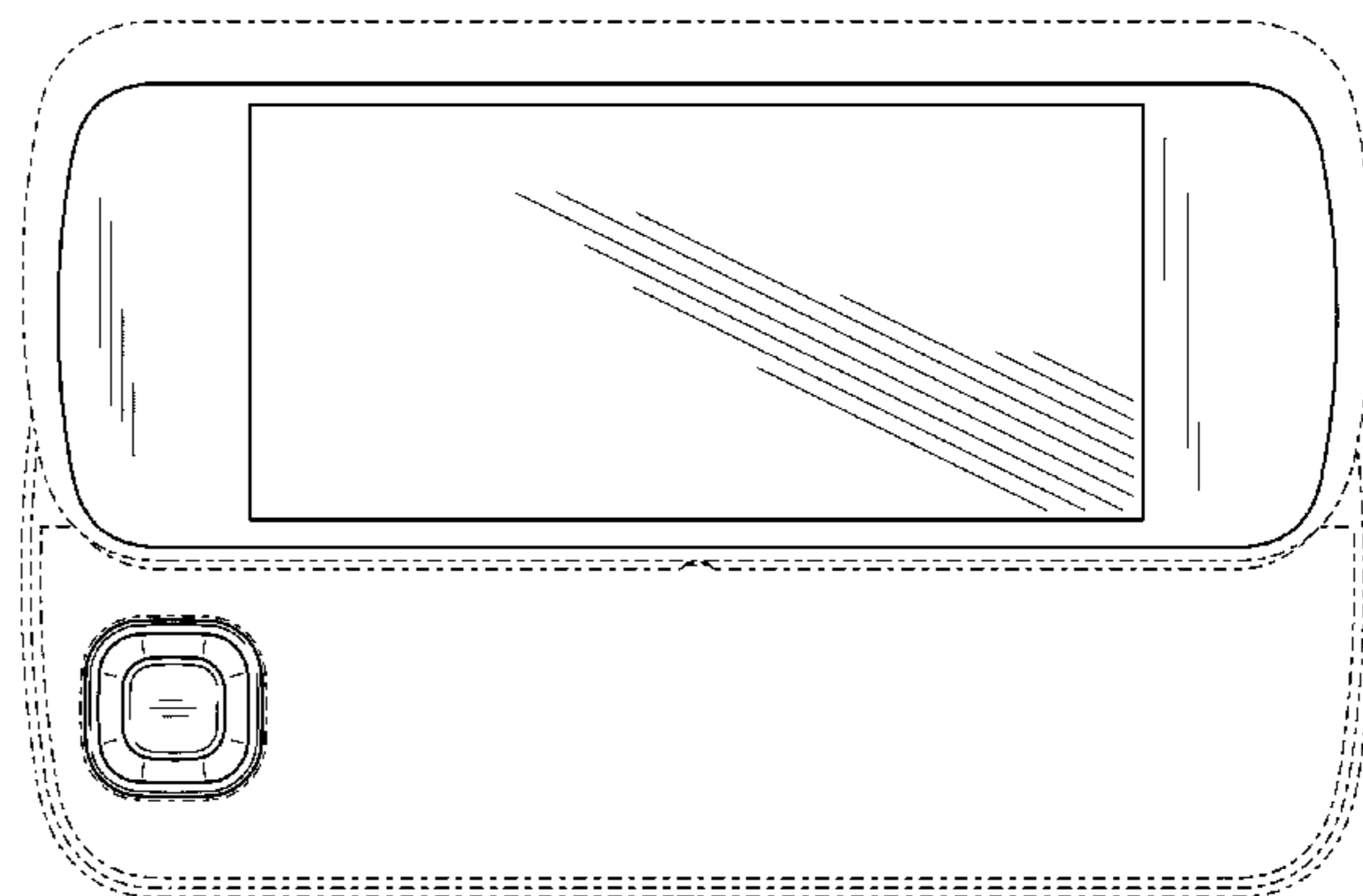
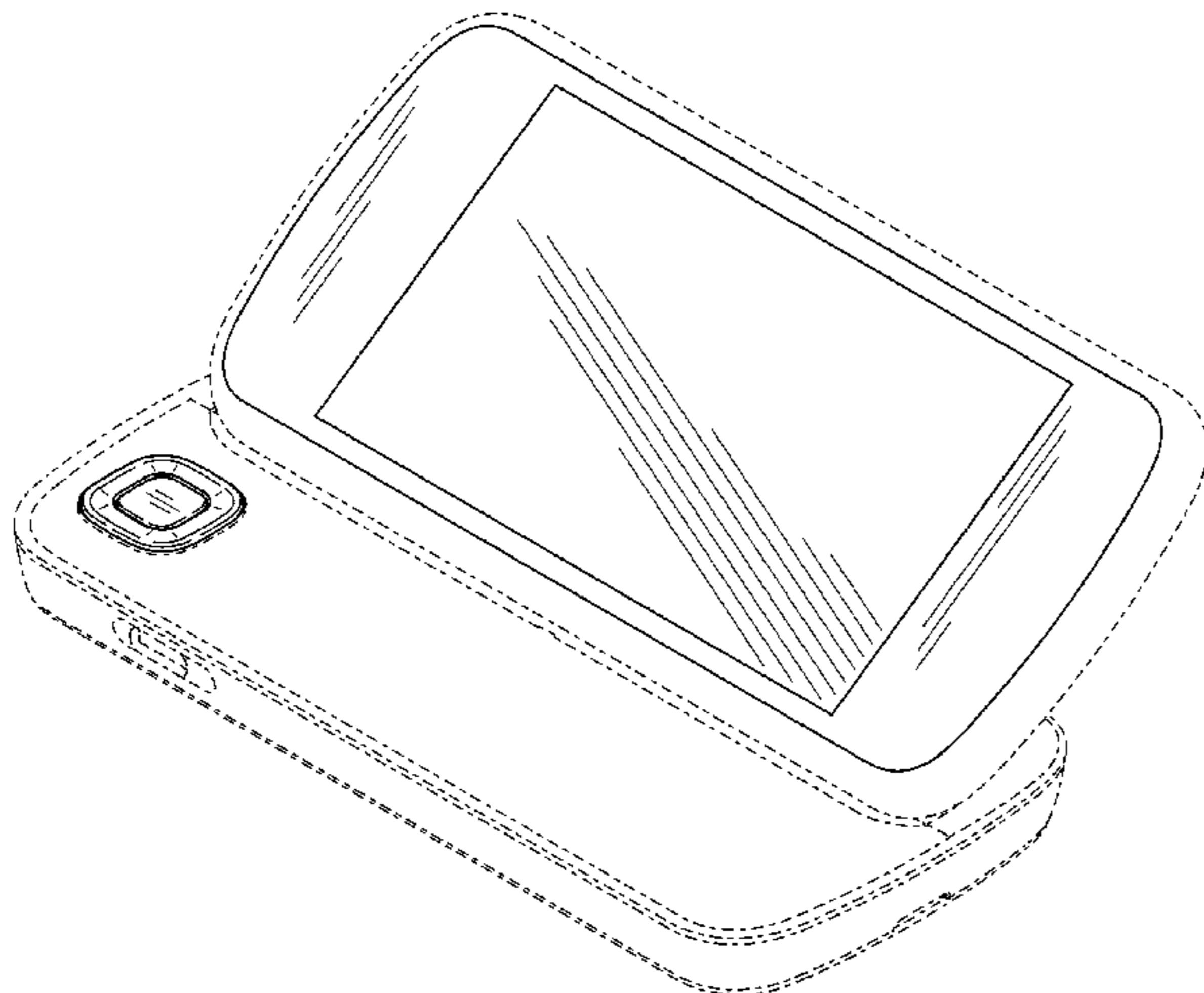
FIG. 5 is a top view thereof;

FIG. 6 is a bottom view thereof; and,

FIG. 7 is a rear view thereof.

The broken line showing of the environmental structure of the handset in FIGS. 1–7 is for illustrative purposes only and forms no part of the claimed design.

**1 Claim, 5 Drawing Sheets**



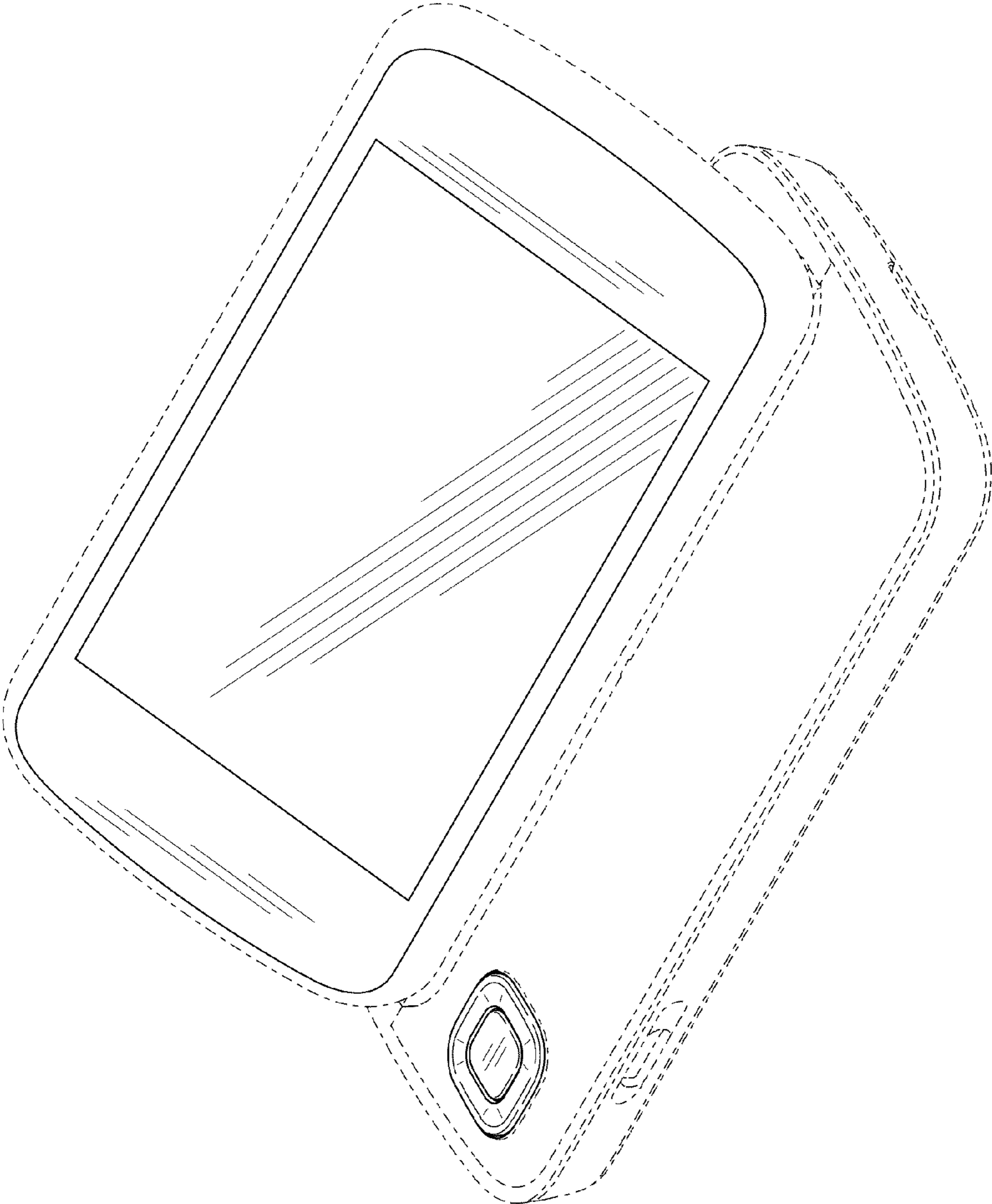


FIG. 1

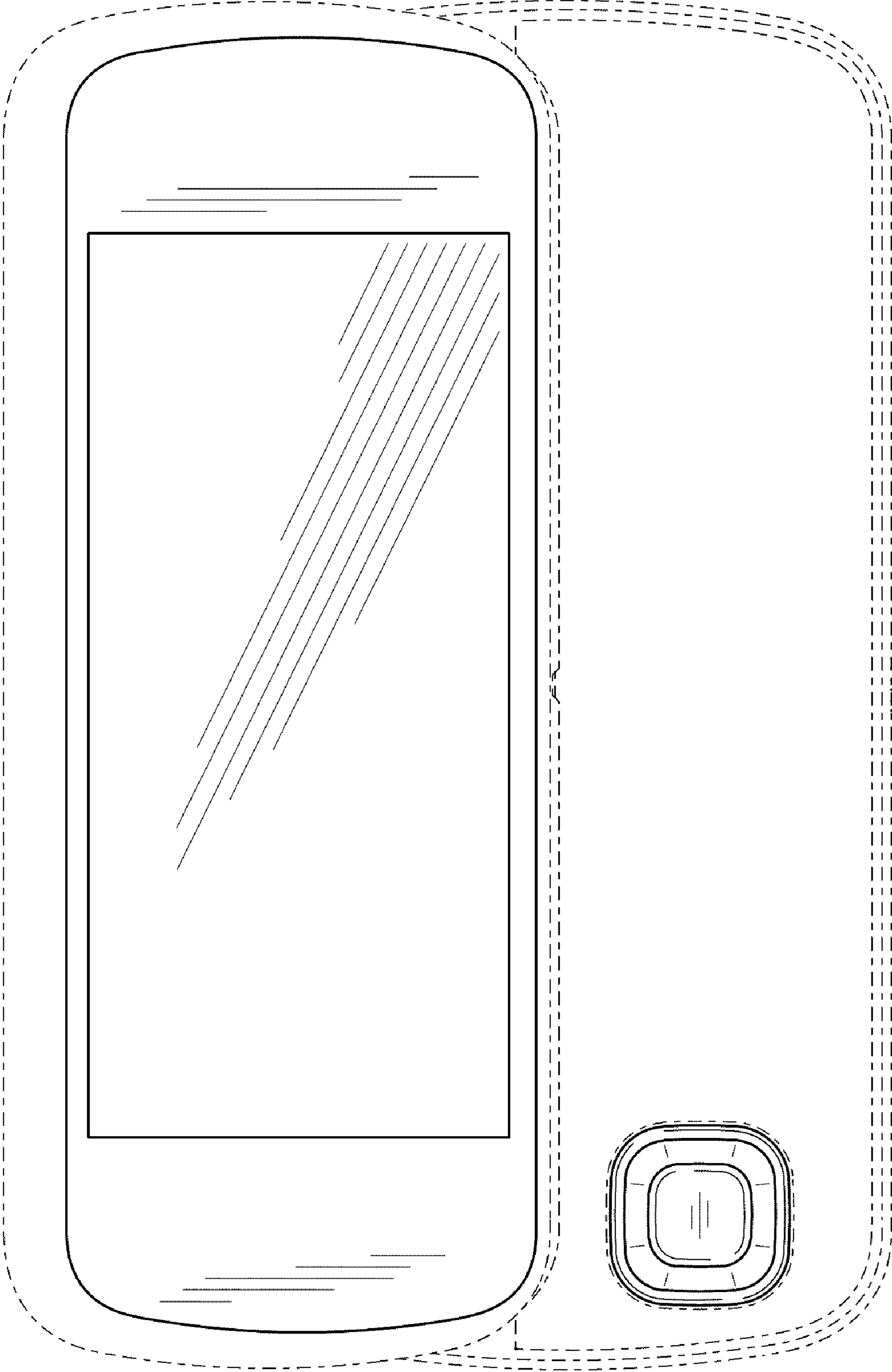


FIG. 2

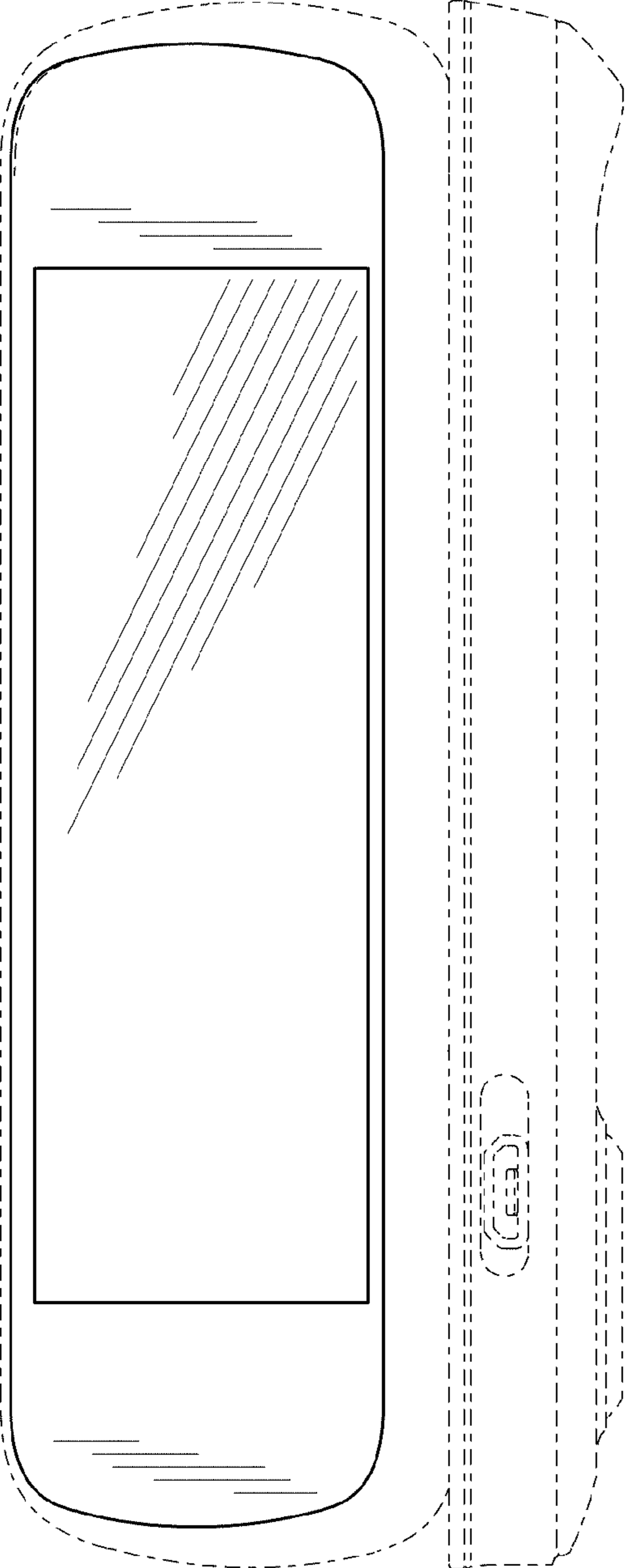


FIG. 3

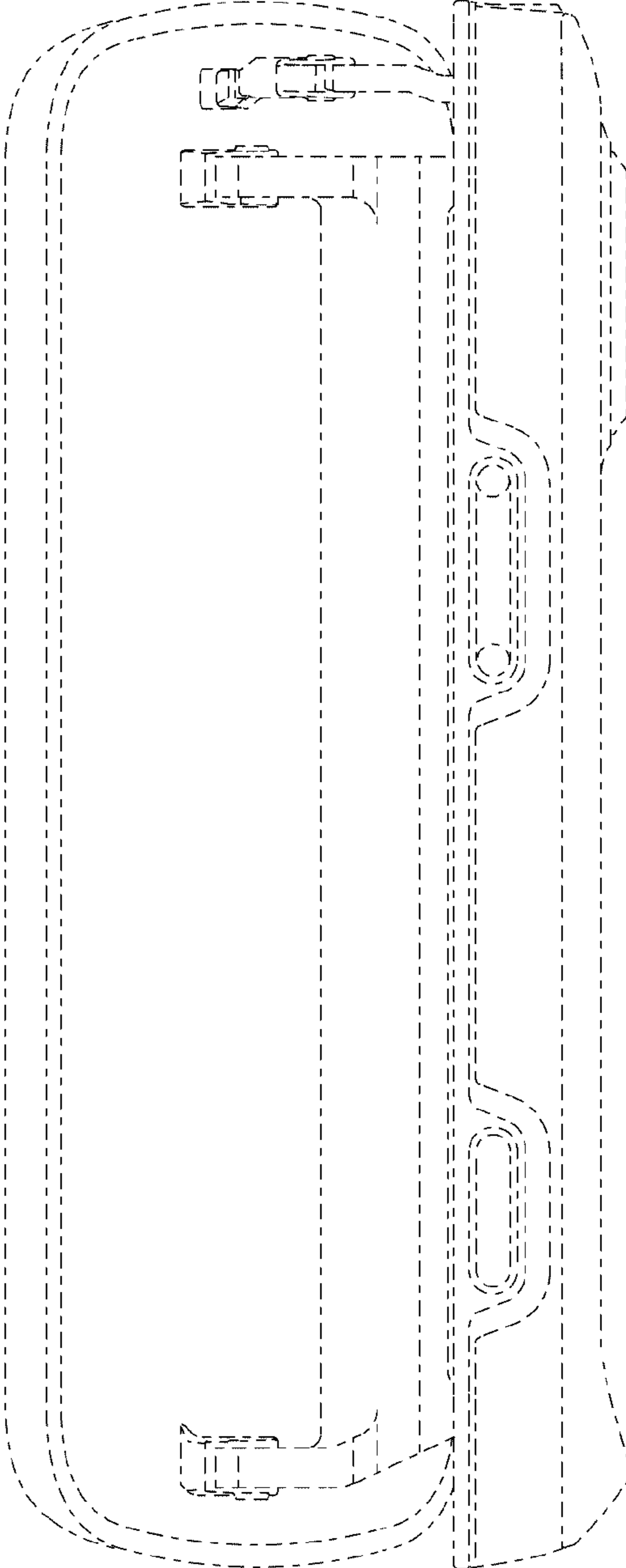


FIG. 4

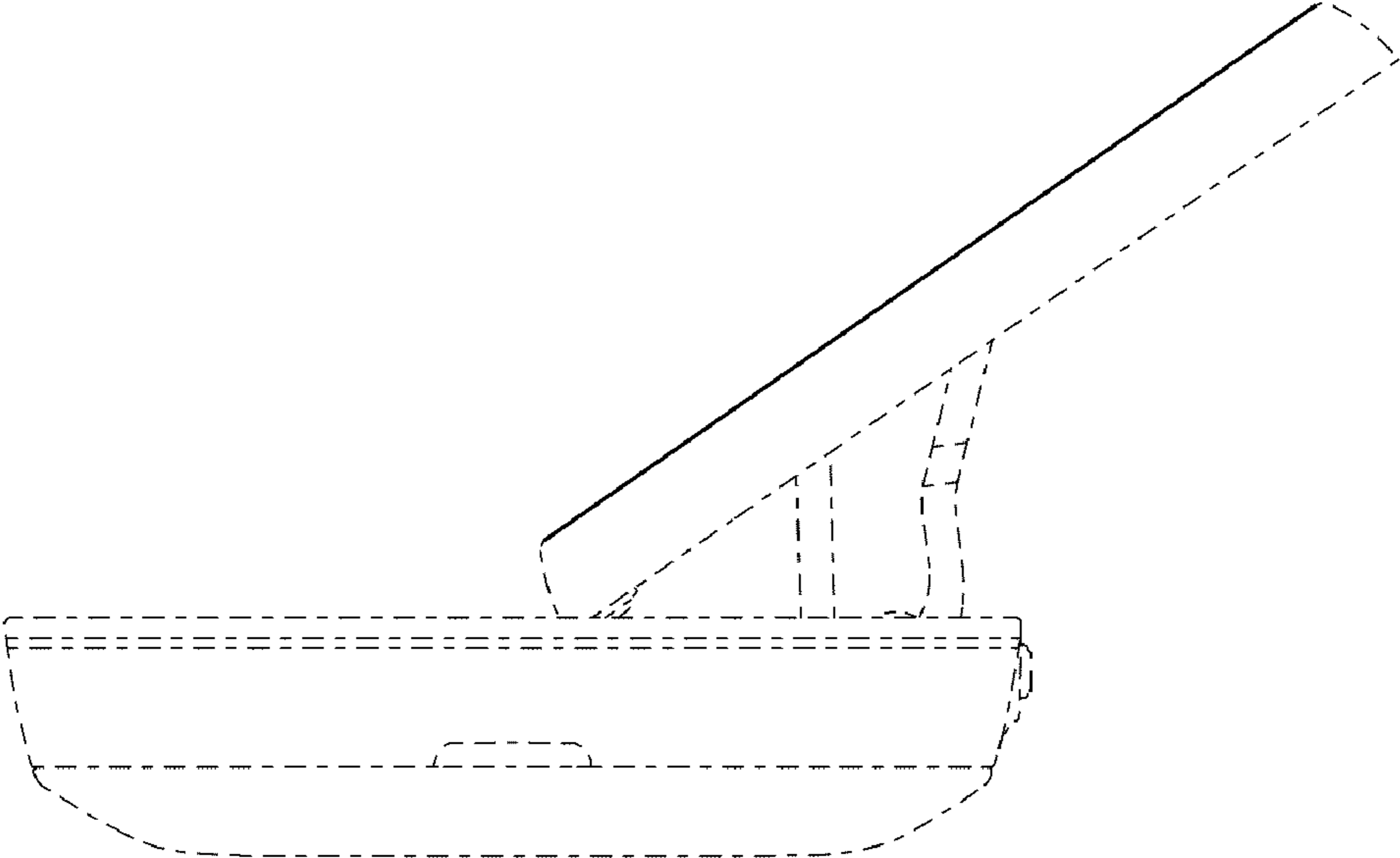


FIG. 5

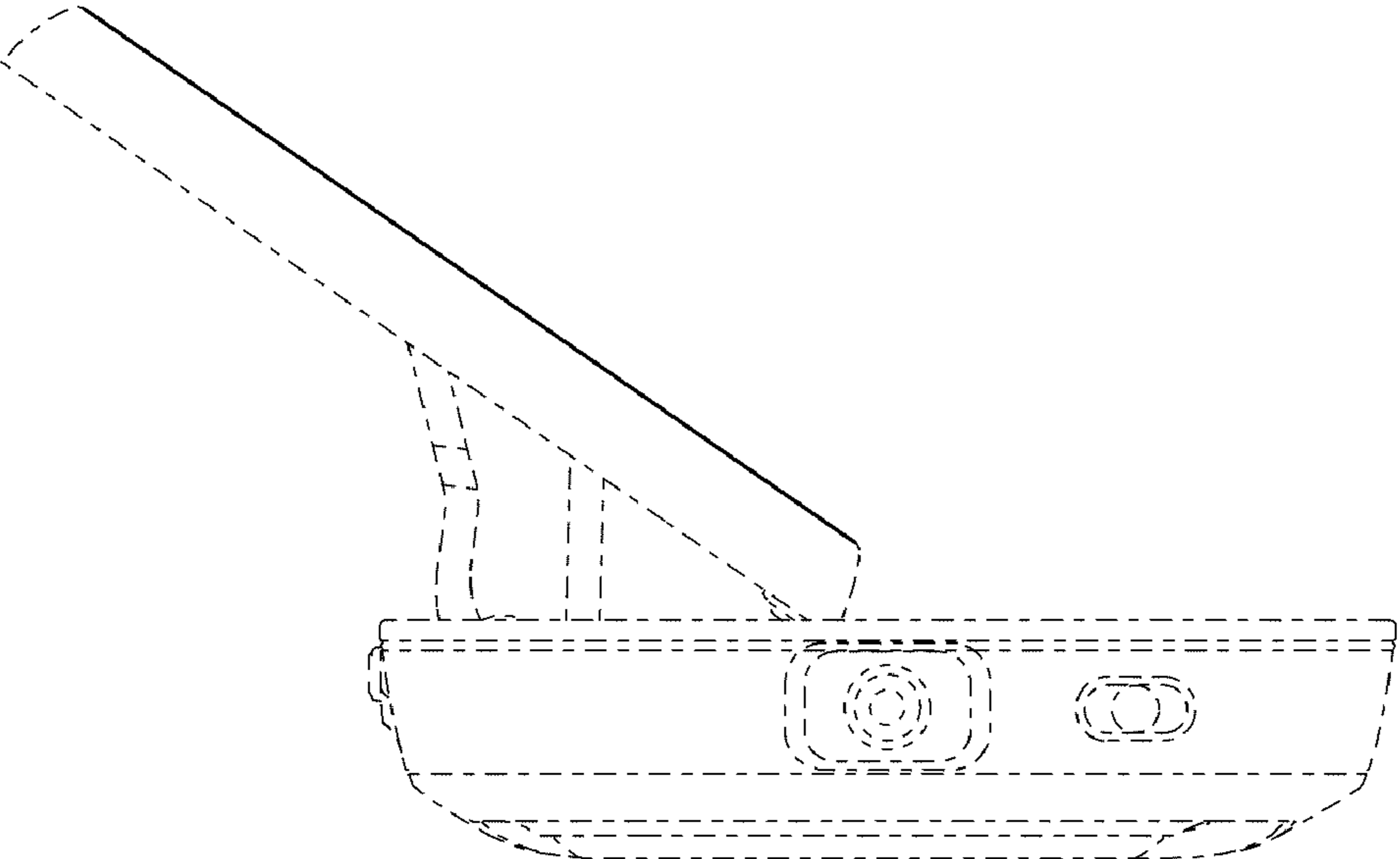


FIG. 6



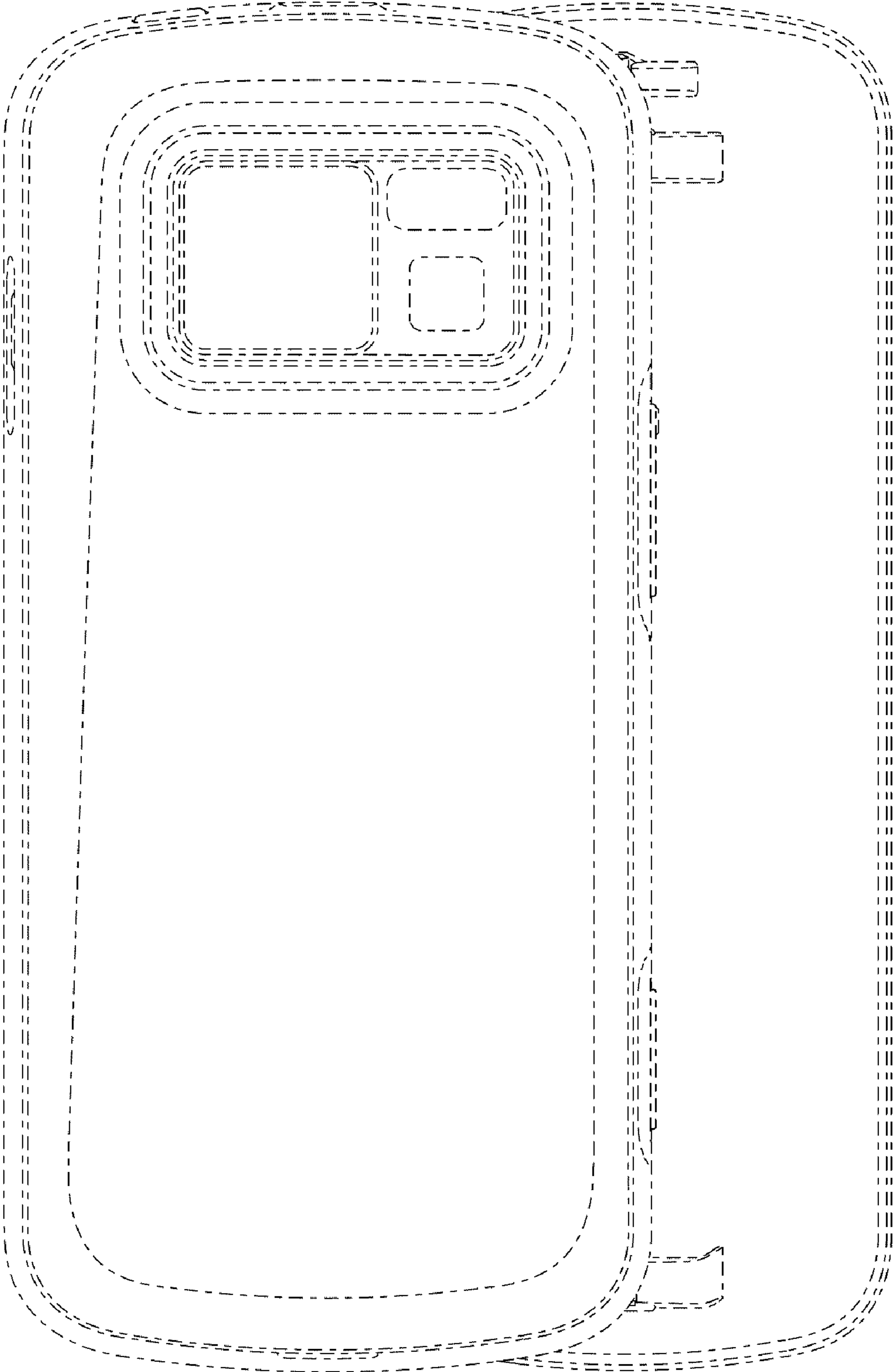


FIG. 7