



US00D611040S

(12) **United States Design Patent**
Neu et al.

(10) **Patent No.:** **US D611,040 S**
(45) **Date of Patent:** **** Mar. 2, 2010**

(54) **ROUTER**

(75) Inventors: **Thorben Neu**, Los Angeles, CA (US);
Yuji Ikeda, Studio City, CA (US);
Abraham Camacho, West Hollywood,
CA (US); **Michael Wick**, Long Beach,
CA (US); **Matthew P. Glidden**, Simi
Valley, CA (US)

(73) Assignee: **Belkin International Inc.**, Compton,
CA (US)

(**) Term: **14 Years**

(21) Appl. No.: **29/340,954**

(22) Filed: **Jul. 28, 2009**

(51) **LOC (9) Cl.** **14-03**

(52) **U.S. Cl.** **D14/240**

(58) **Field of Classification Search** D14/240,
D14/242, 140, 218, 358; D13/168, 184;
360/69; 379/220.01, 220.02, 25, 93.09, 93.15,
379/93.14, 156, 900; 455/550.1, 557
See application file for complete search history.

(56) **References Cited**

U.S. PATENT DOCUMENTS

D464,341 S	*	10/2002	Tanaka	D14/242
D473,547 S	*	4/2003	Tanaka	D14/242
D493,780 S	*	8/2004	Chan et al.	D14/240
D514,563 S	*	2/2006	Kuramashi et al.	D14/358
D525,972 S		8/2006	Liu		
D532,414 S	*	11/2006	Storti et al.	D14/240
D539,798 S	*	4/2007	Sato	D14/358
D549,223 S	*	8/2007	McKimm et al.	D14/240
D568,315 S	*	5/2008	Yano	D14/358

D596,627 S * 7/2009 Cho et al. D14/240

OTHER PUBLICATIONS

newegg.com;Linksys NSLU2 Diskless System Network Storage
Link for USB2.0 Disk Drives—Retail; [http://www.newegg.com/
Product/Product.aspx?Item=N82E16833124036](http://www.newegg.com/Product/Product.aspx?Item=N82E16833124036); retrieved from the
internet Sep. 28, 2009; 9 pages.
NSLU2; (Network Storage Link for USB 2.0 Disk Drives); [http://en.
wikipedia.org/wiki/NSLU2](http://en.wikipedia.org/wiki/NSLU2); retrieved from the internet Sep. 28,
2009; 4 pages.

* cited by examiner

Primary Examiner—Charles A Rademaker

(74) *Attorney, Agent, or Firm*—Bryan Cave LLP

(57) **CLAIM**

We claim the ornamental design for a router, as shown and
described.

DESCRIPTION

FIG. 1 is a front, right and top perspective view of a router
showing our new design;

FIG. 2 is a rear, right and top perspective view thereof;

FIG. 3 is a right side elevation thereof;

FIG. 4 is a top plan view thereof;

FIG. 5 is a bottom plan view thereof;

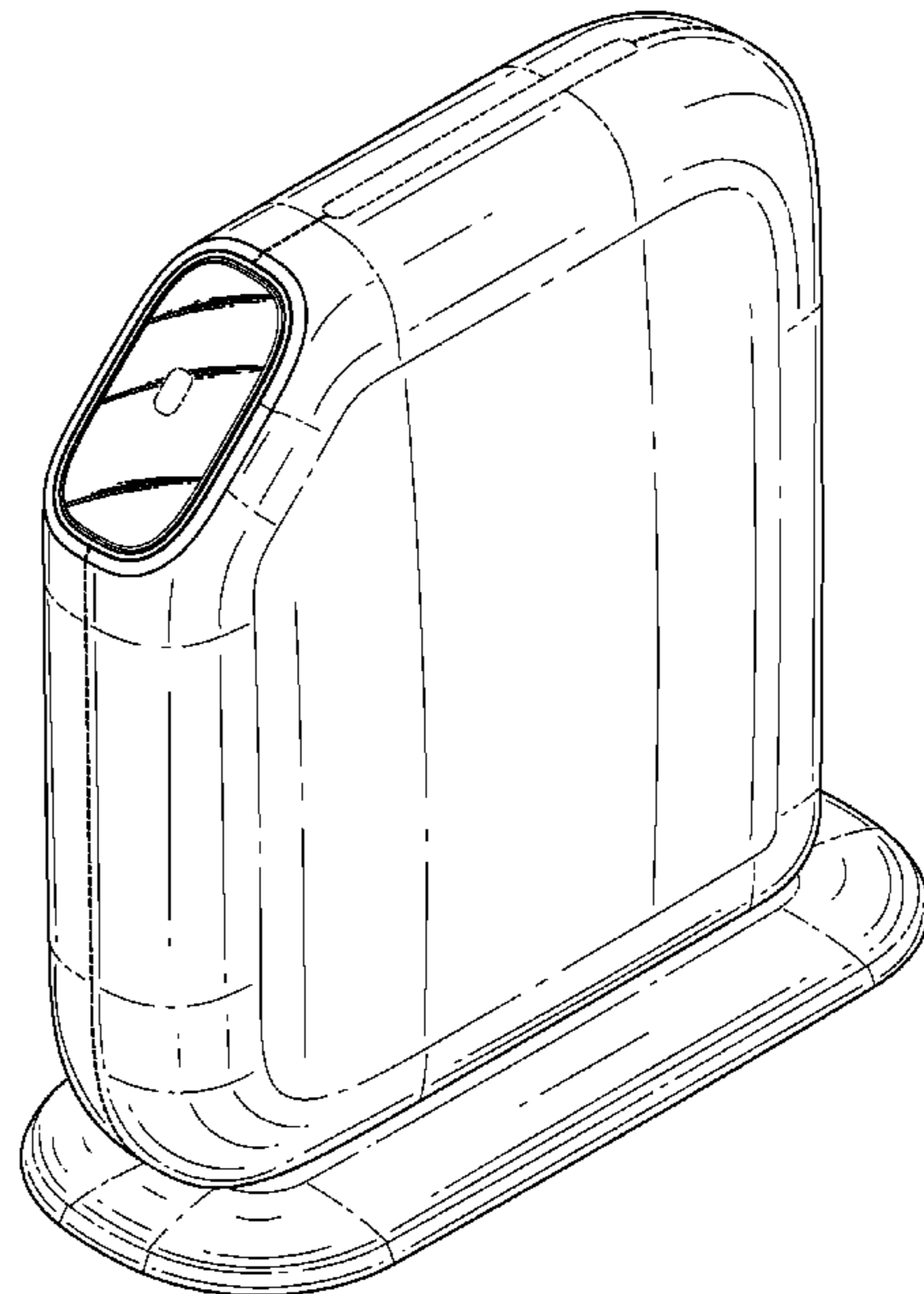
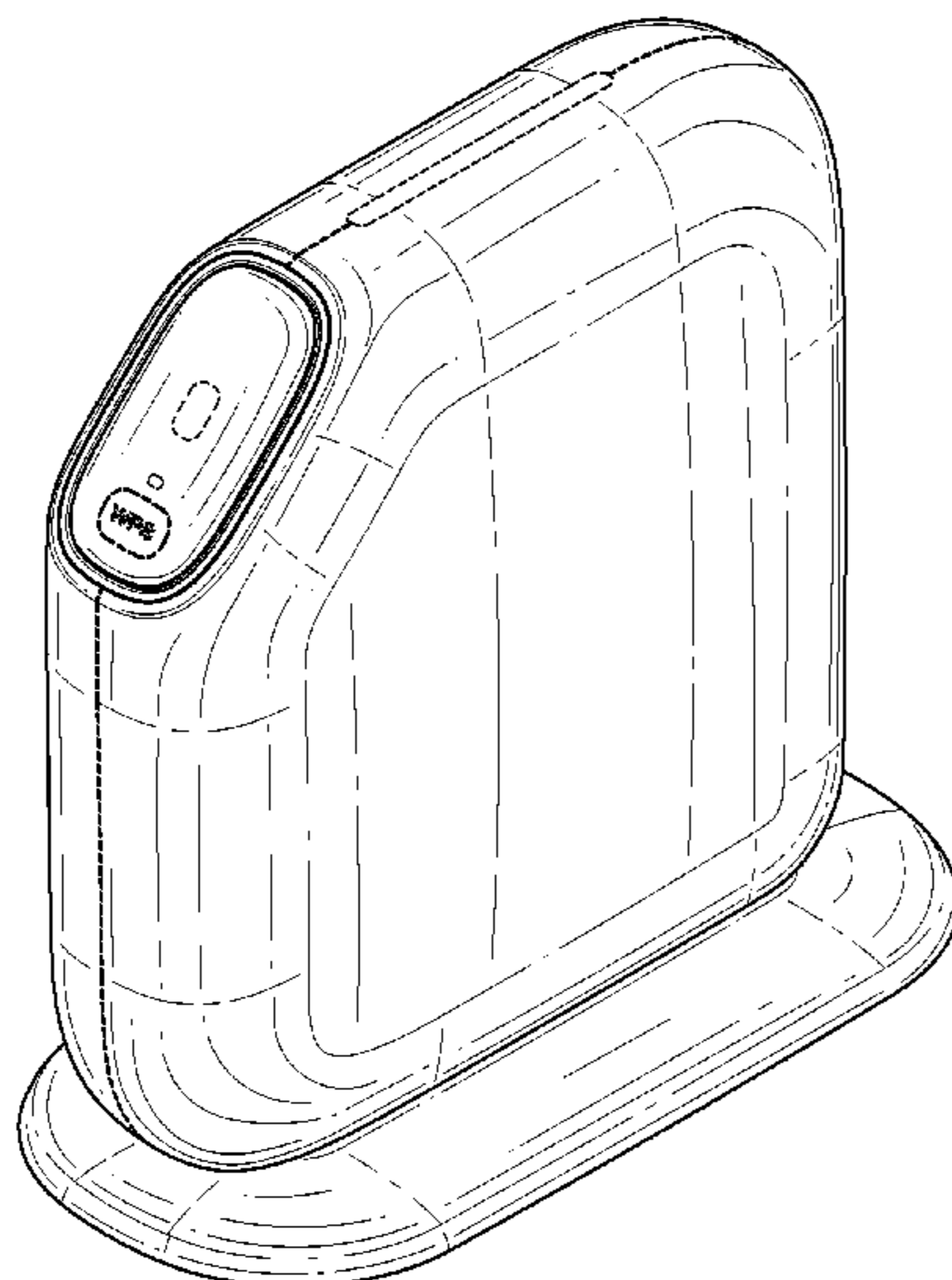
FIG. 6 is a front elevation thereof;

FIG. 7 is a rear elevation thereof; and,

FIG. 8 is a front, right and top perspective view of a modified
embodiment of the design shown in FIGS. 1 through 7, the
unshown aspects being identical.

The broken lines in the drawings are for illustrative purposes
only and form no part of the claimed design.

1 Claim, 6 Drawing Sheets



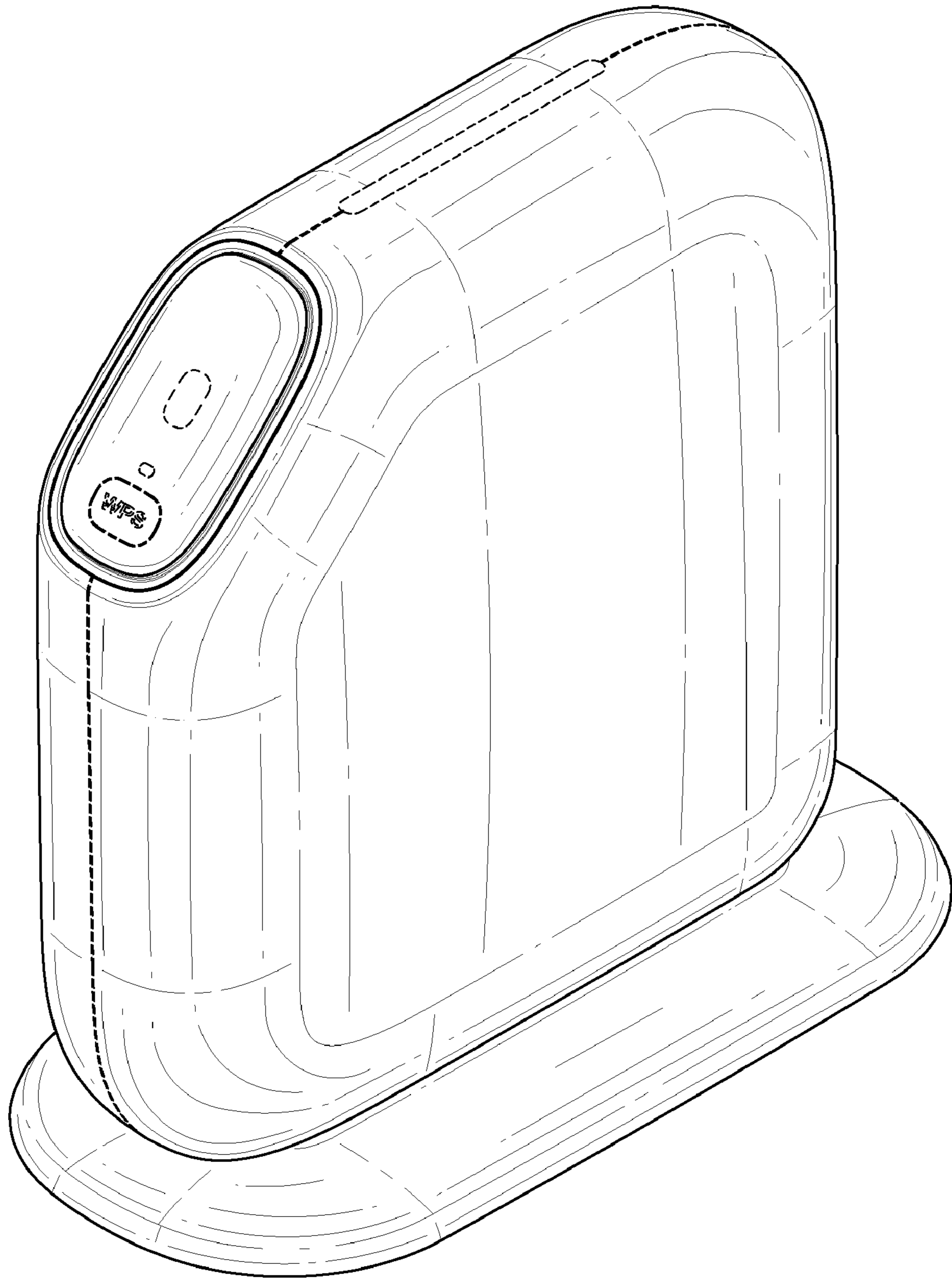


FIG. 1

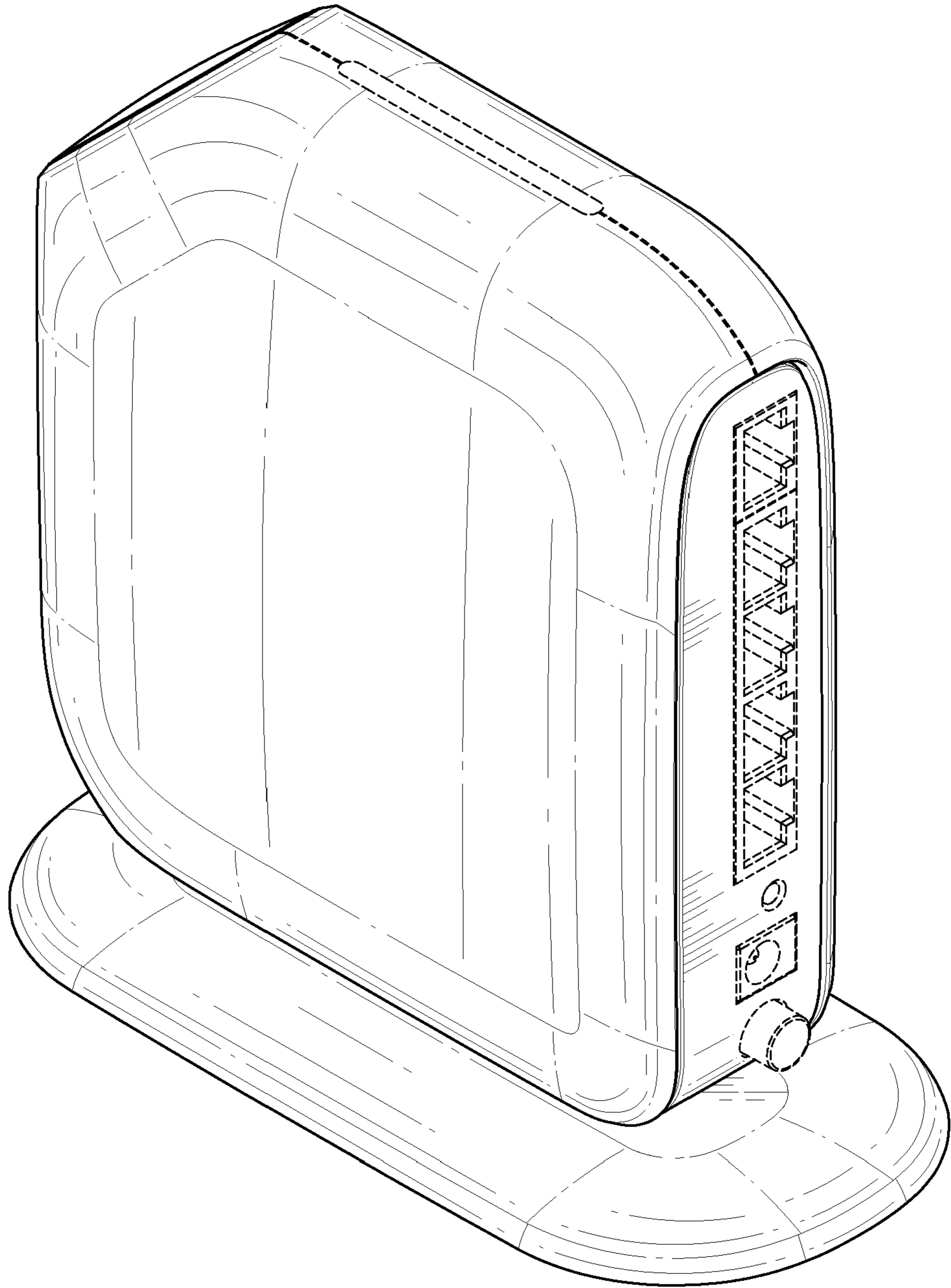


FIG. 2

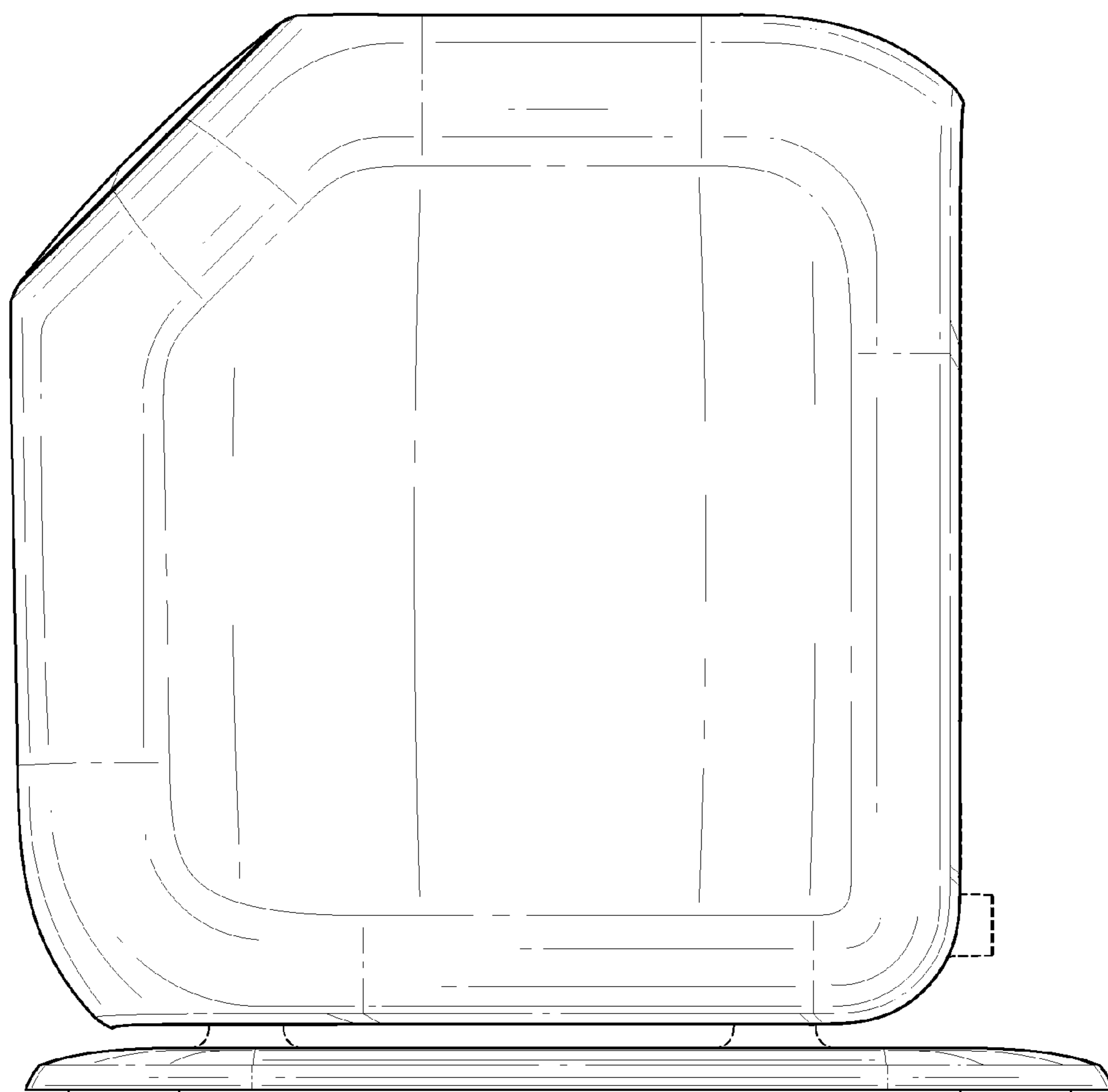


FIG. 3

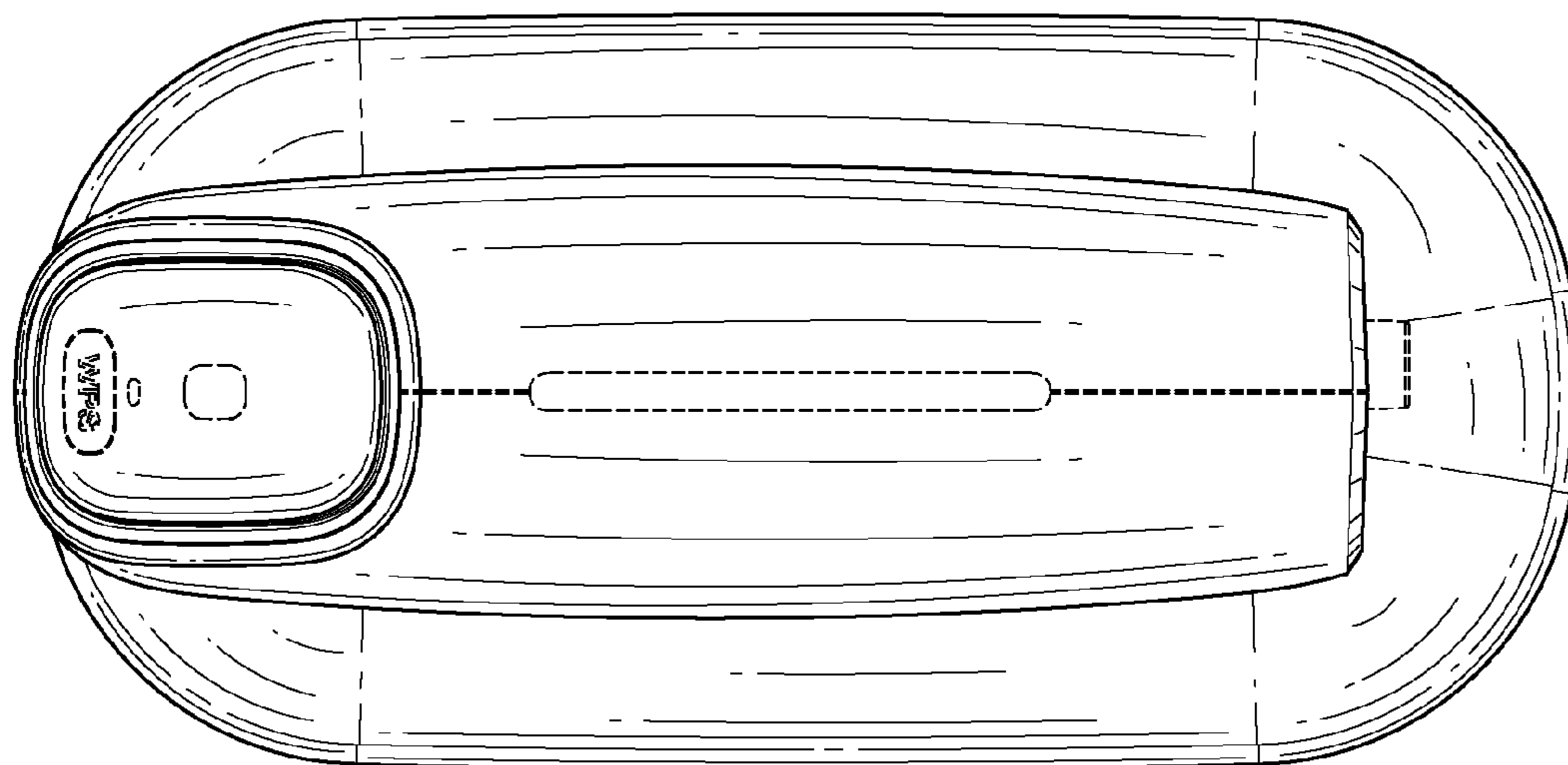


FIG. 4

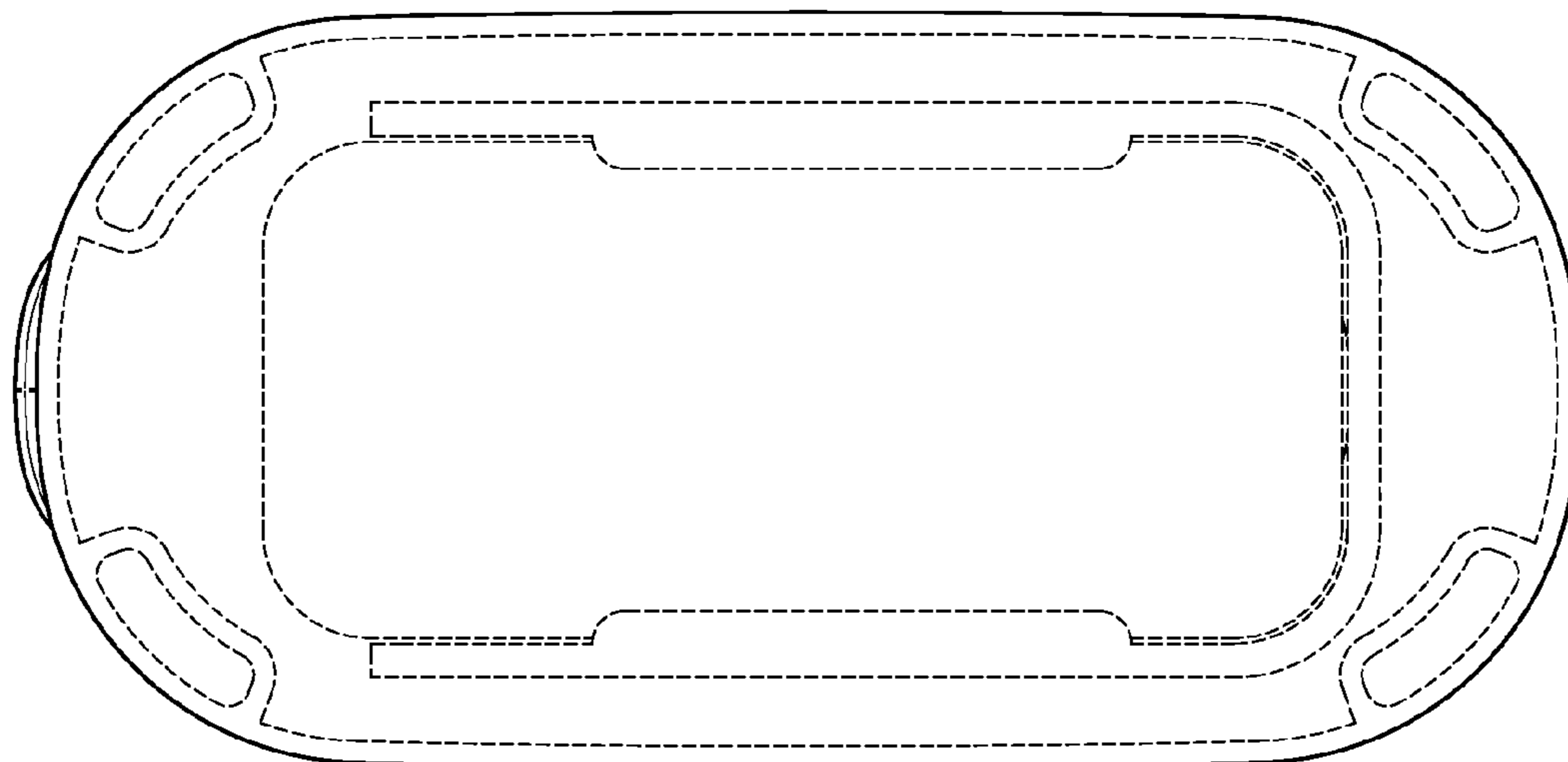


FIG. 5

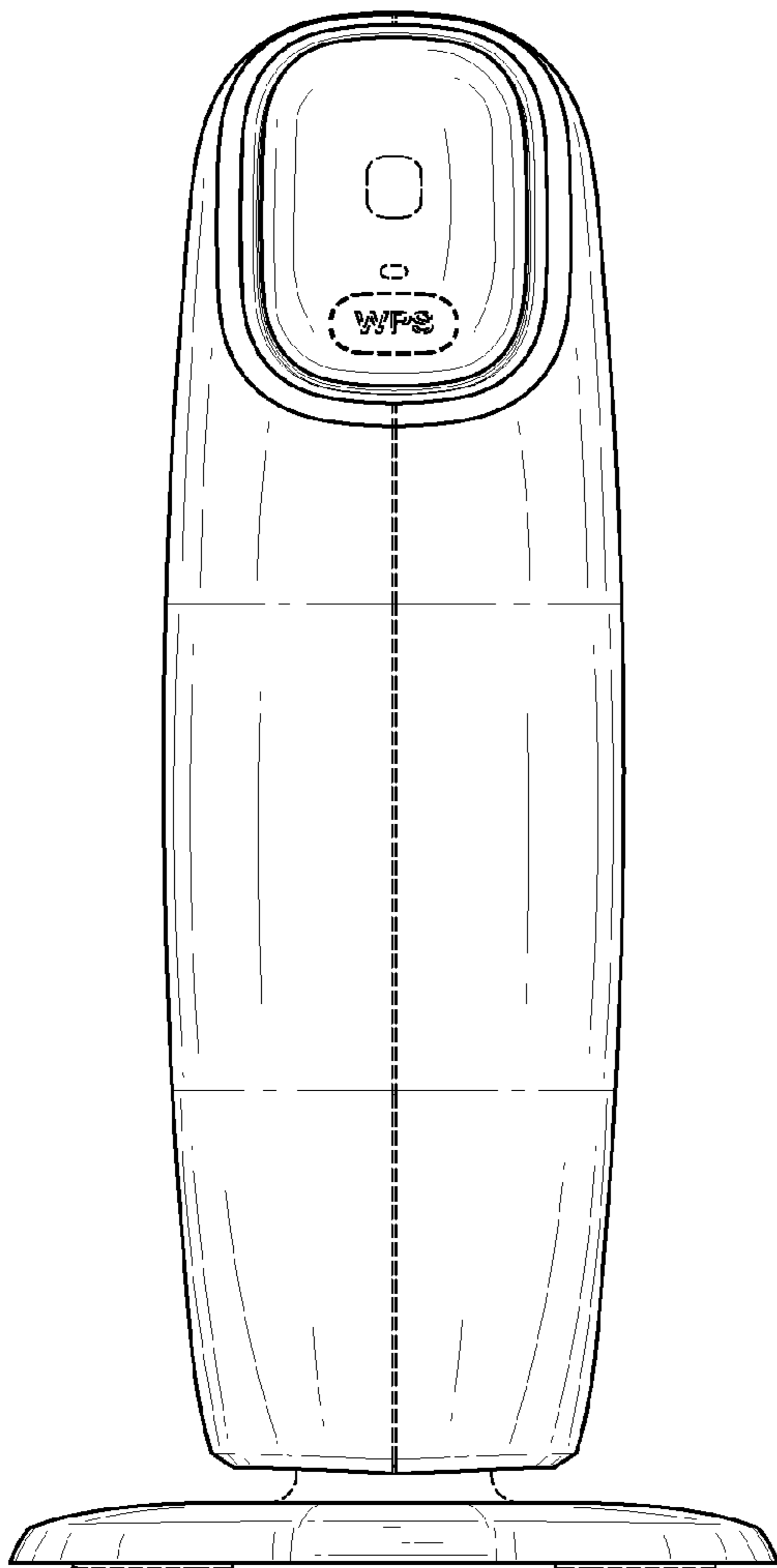


FIG. 6

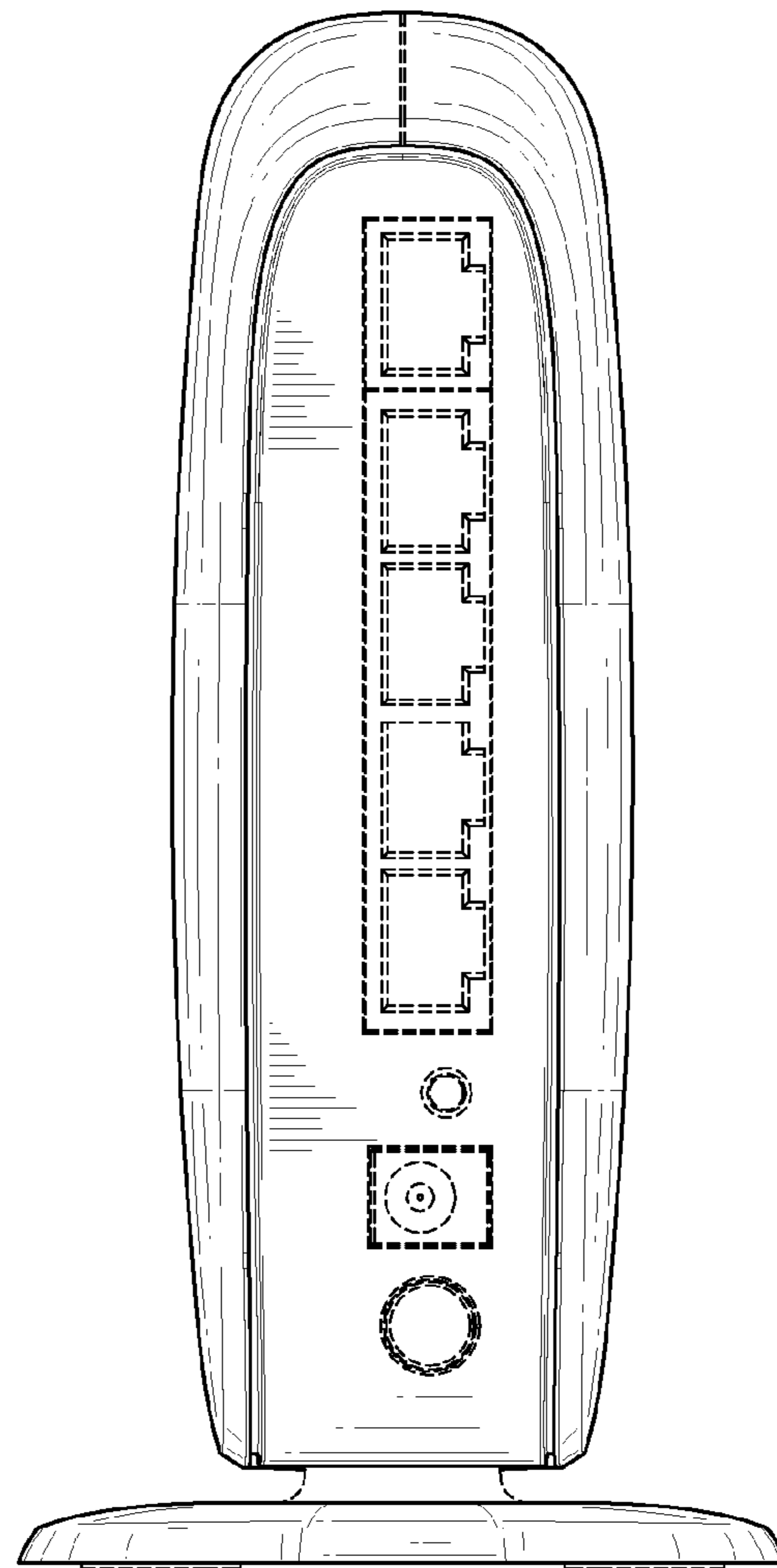


FIG. 7

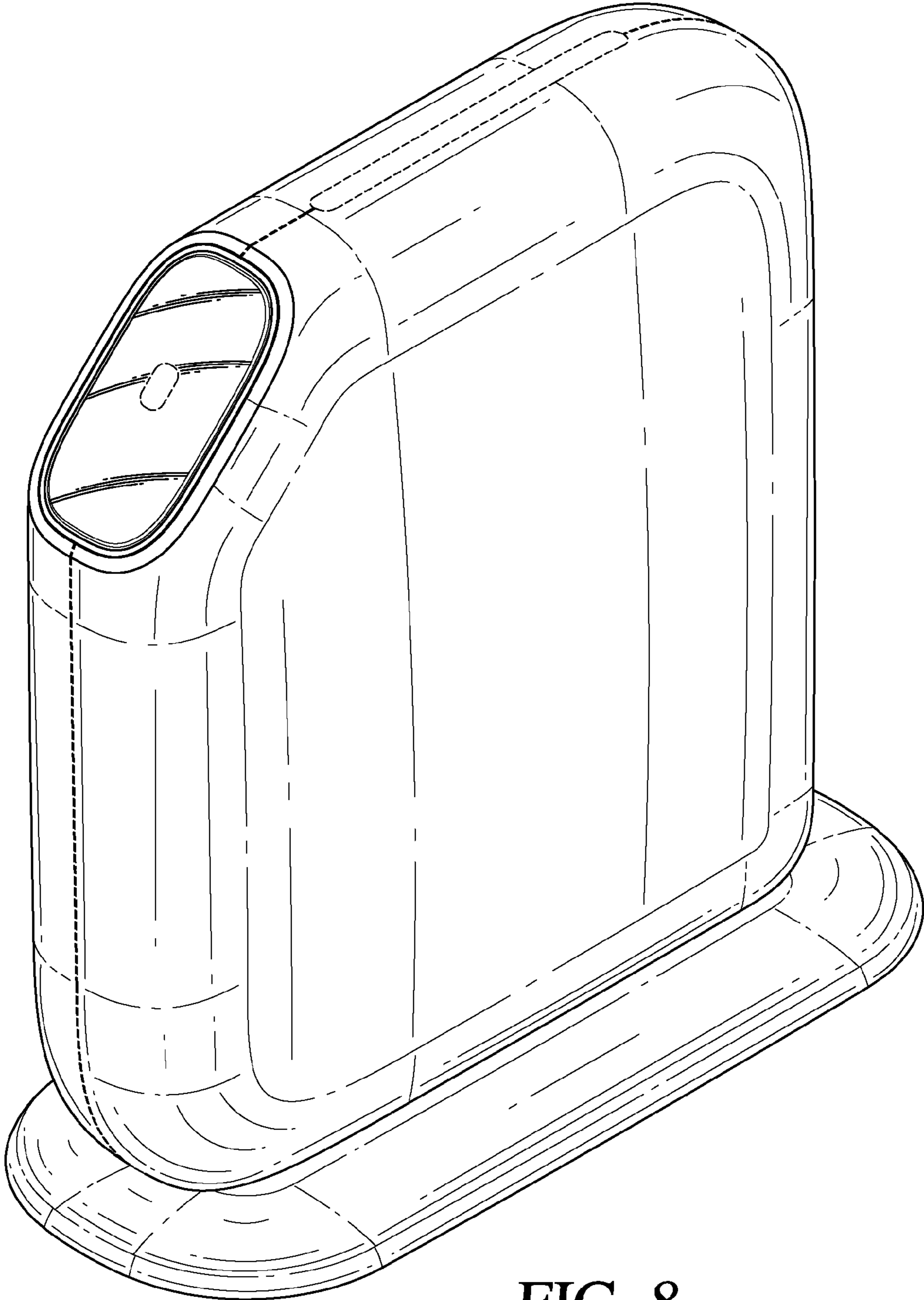


FIG. 8