



US00D611036S

(12) **United States Design Patent**
Cooper et al.

(10) **Patent No.:** **US D611,036 S**
(45) **Date of Patent:** **** Mar. 2, 2010**

(54) **AUDIO INPUT/OUTPUT DEVICE**

(75) Inventors: **Jason J Cooper**, Watertown, MA (US);
John P Devlin, Tewksbury, MA (US);
Jan Schminke, Marshfield, MA (US);
Richard C Watson, Norwell, MA (US);
David O Swett, Waltham, MA (US);
Robin M Urry, Draper, UT (US);
Christopher M Belcher, Lehi, UT (US);
Roger T Johnsen, Salt Lake City, UT (US)

(73) Assignee: **Harman International Industries, Incorporated**, Northridge, CA (US)

(**) Term: **14 Years**

(21) Appl. No.: **29/329,002**

(22) Filed: **Dec. 5, 2008**

(51) **LOC (9) Cl.** **14-01**

(52) **U.S. Cl.** **D14/217; D13/123**

(58) **Field of Classification Search** D14/142,
D14/149, 155, 157, 188, 193-198, 203.1-203.8,
D14/217, 251, 253, 432-435.1, 447, 451,
D14/474, 480.1-480.7, 496; 381/1, 2, 86,
381/120; 455/556.1-556.2, 557, 344-351;
D13/123, 147, 162, 162.1, 163, 164, 184
See application file for complete search history.

(56) **References Cited**

U.S. PATENT DOCUMENTS

D236,212 S * 8/1975 Beigel et al. D17/99
D312,625 S * 12/1990 Wetzel D14/399

D400,877 S * 11/1998 Miyazaki D14/167
D413,593 S * 9/1999 Suzuki et al. D14/399
D443,586 S * 6/2001 Sakasegawa D13/123
D463,401 S * 9/2002 Miyazaki D14/217
D467,543 S * 12/2002 Sakasegawa D13/123
D489,726 S * 5/2004 Takita et al. D14/433
D553,620 S * 10/2007 Schroeder D14/402
D561,735 S * 2/2008 Nagura et al. D14/168
D581,393 S * 11/2008 Rodrigues D14/188
D592,208 S * 5/2009 Ishizaki et al. D14/257

* cited by examiner

Primary Examiner—Stella M Reid

Assistant Examiner—Keli L Hill

(74) *Attorney, Agent, or Firm*—Plumsea Law Group, LLC

(57) **CLAIM**

The ornamental design for an audio input/output device, as shown and described.

DESCRIPTION

FIG. 1 is a perspective view of an audio input/output device showing our new design;

FIG. 2 is a front elevational view thereof;

FIG. 3 is a side elevational view of one side thereof;

FIG. 4 is a side elevational view of the other side thereof;

FIG. 5 is a top plan view thereof;

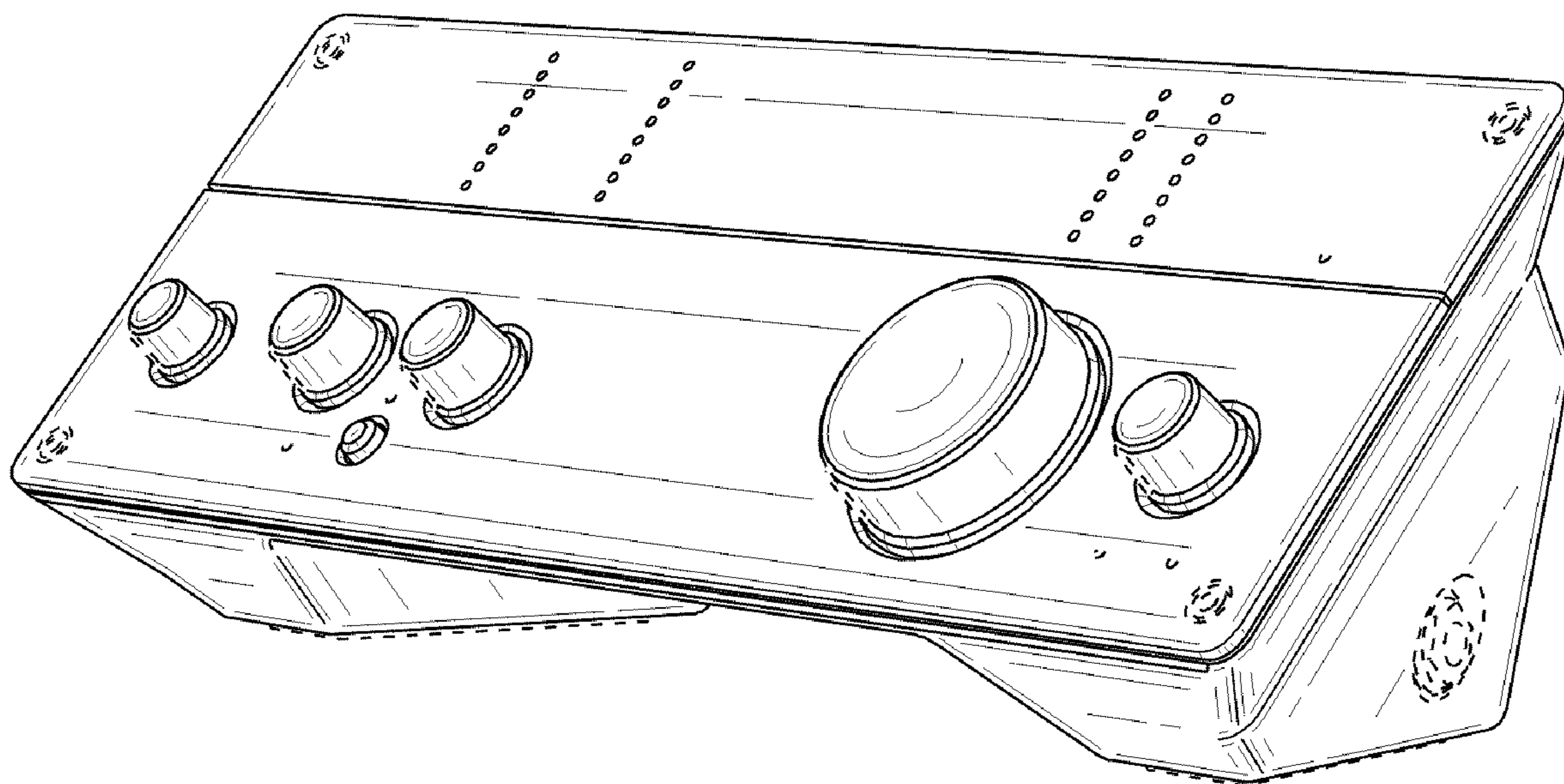
FIG. 6 is a bottom plan view thereof;

FIG. 7 is a rear elevational view thereof; and,

FIG. 8 is a plan view of the face plate thereof.

The broken line showings form no part of the claimed design.

1 Claim, 7 Drawing Sheets



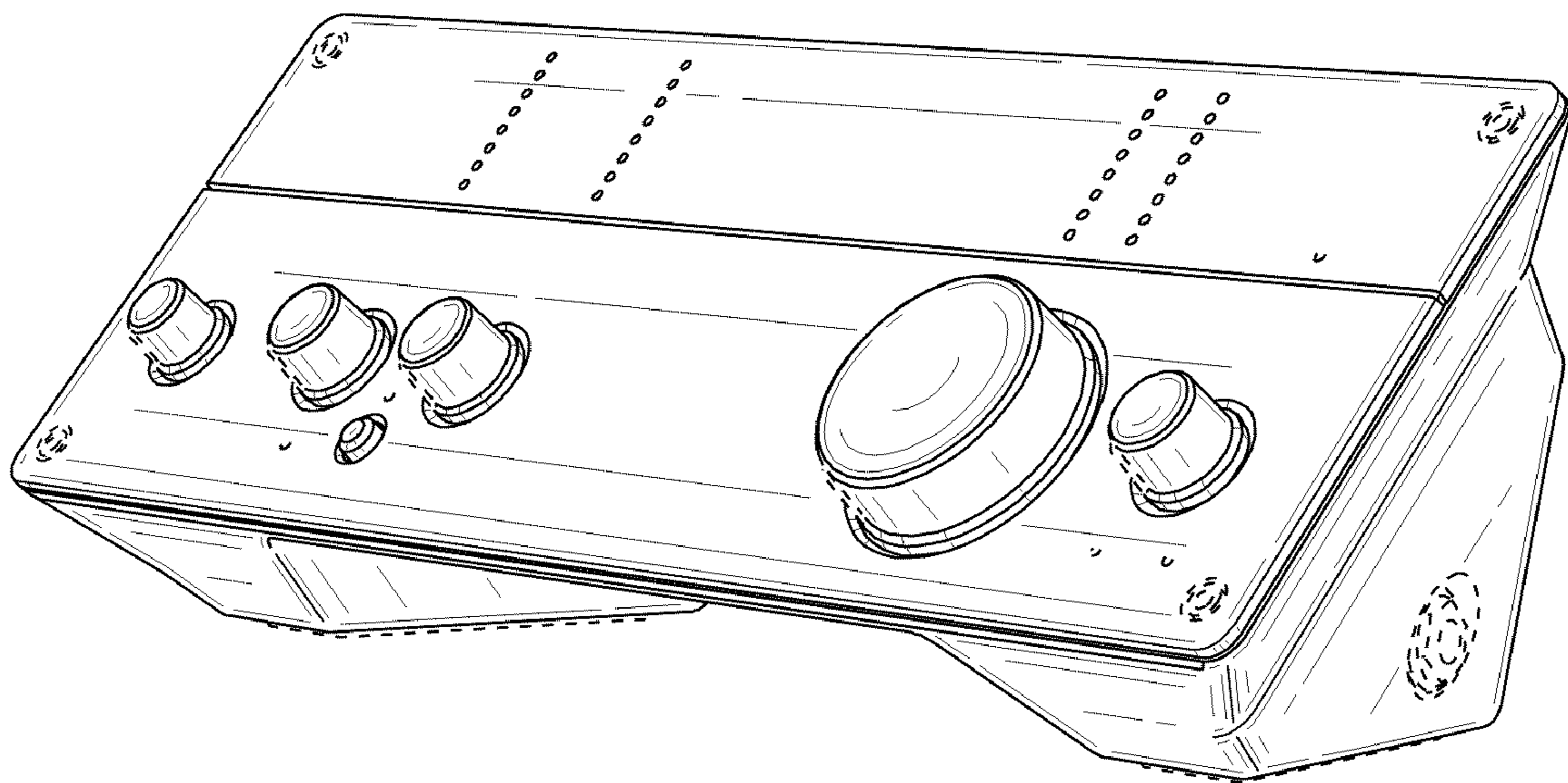


FIG. 1

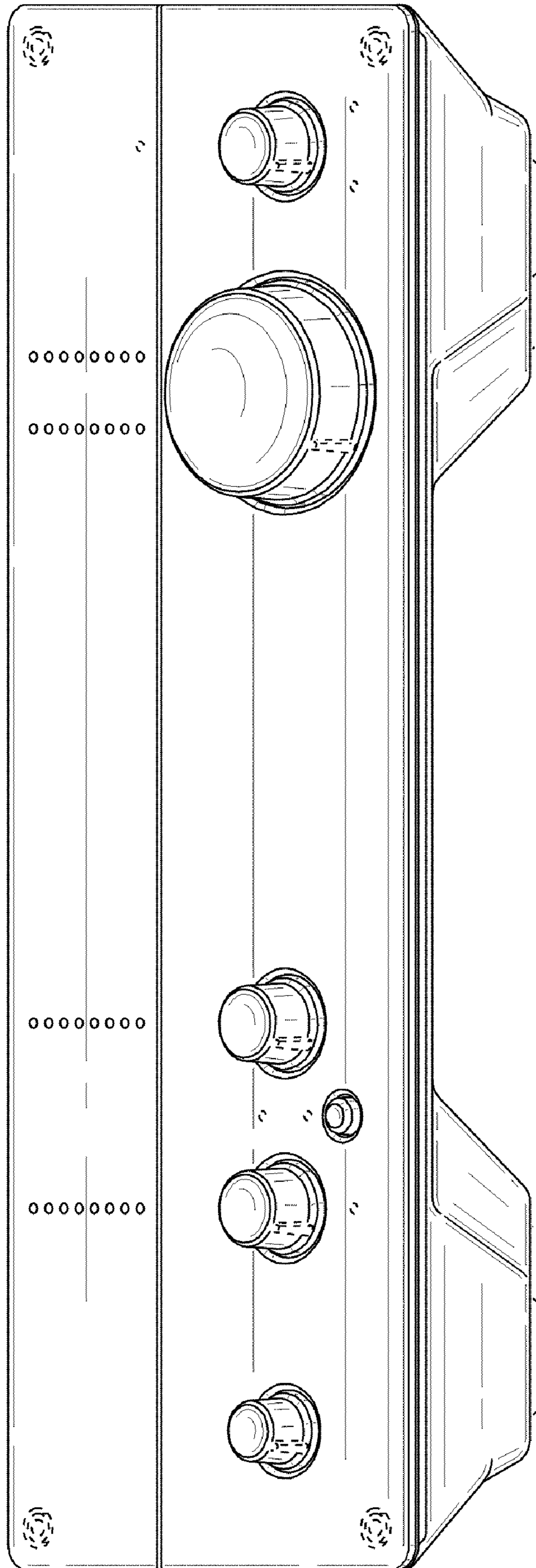


FIG. 2

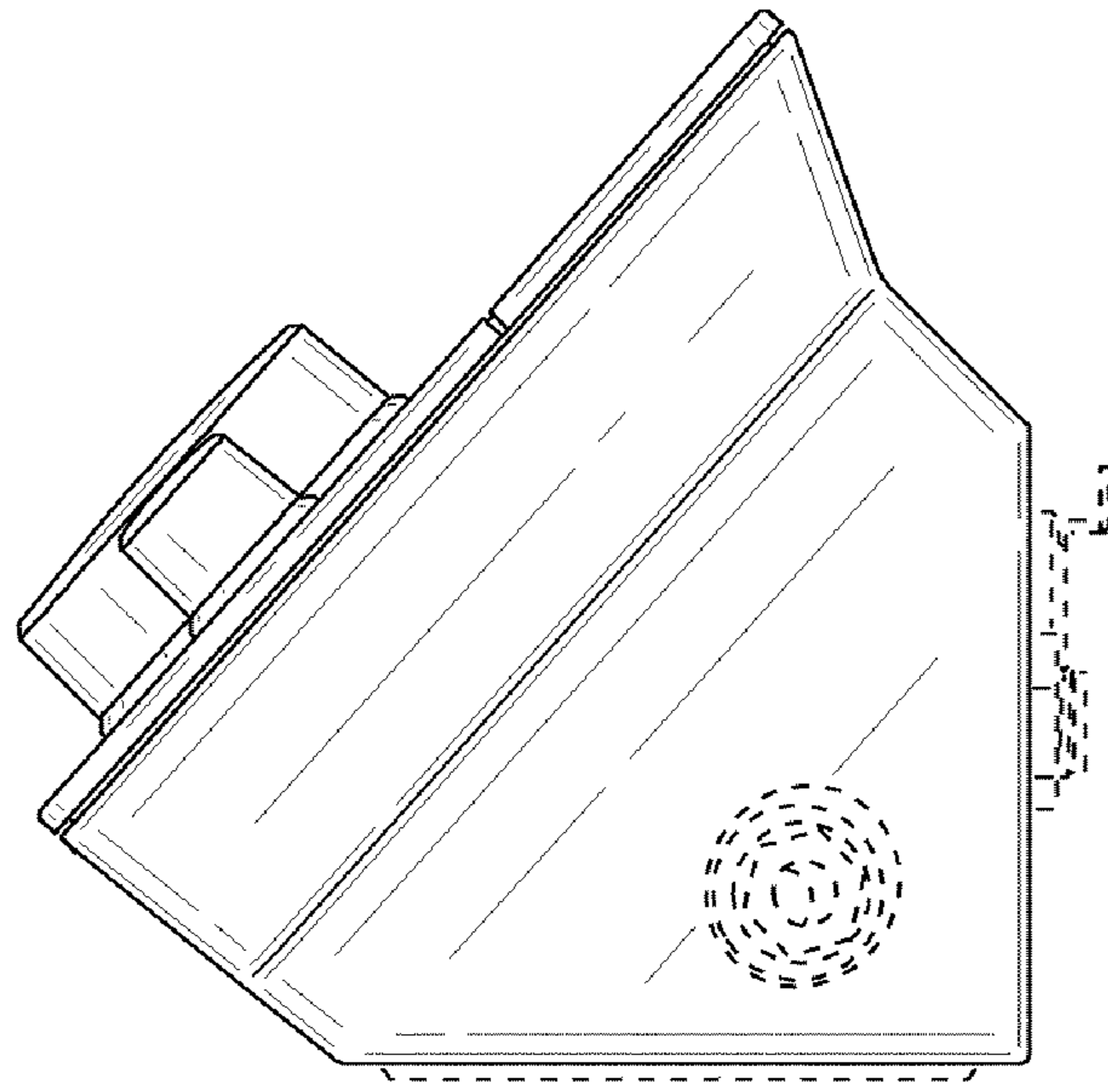


FIG. 3

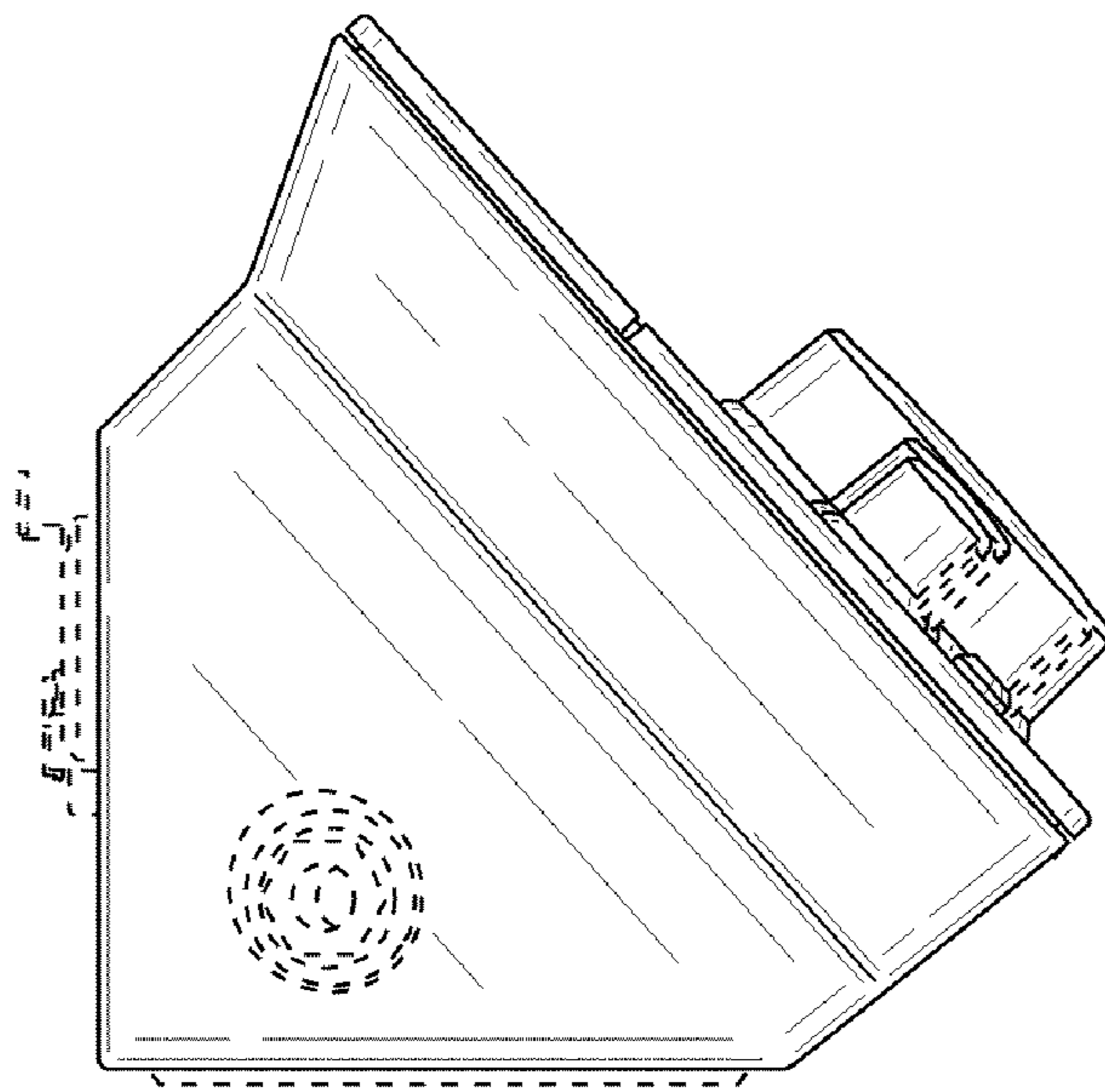


FIG. 4

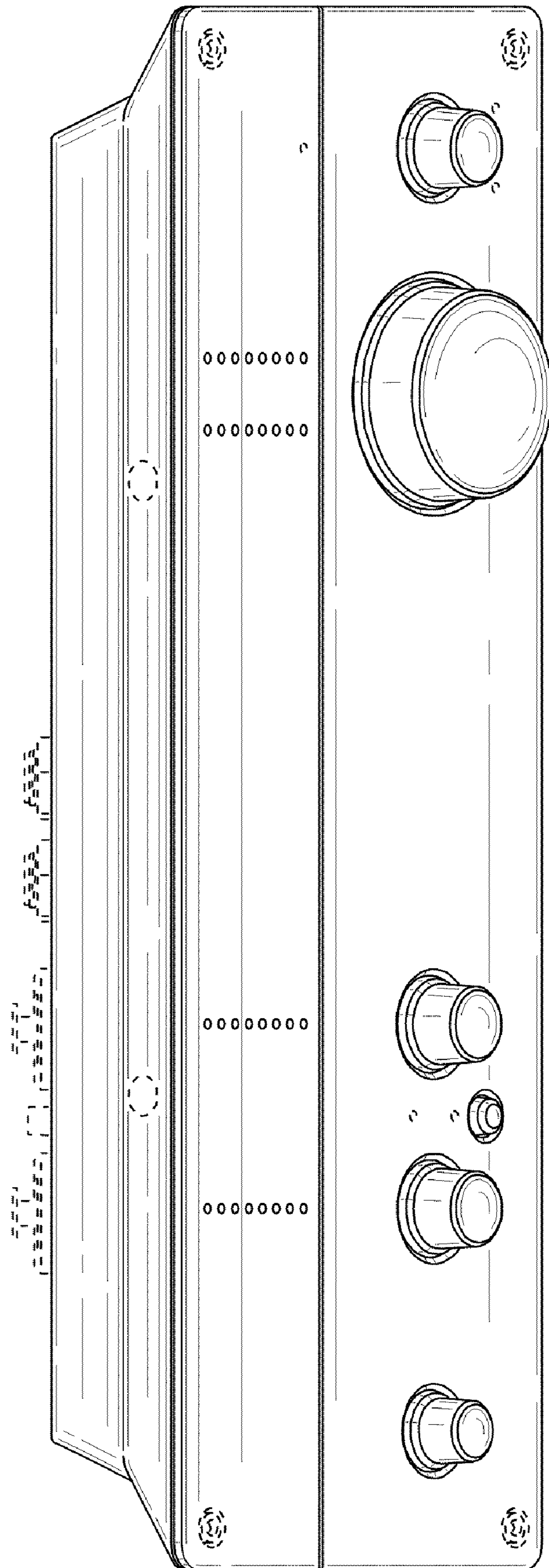


FIG. 5

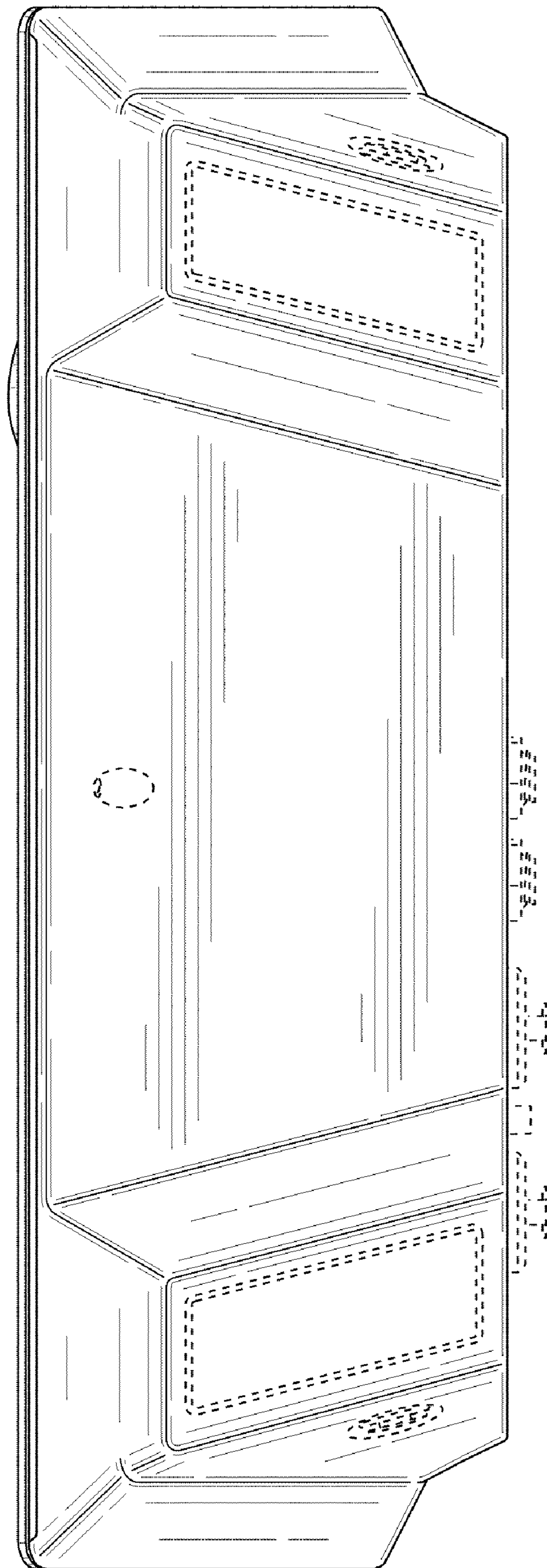


FIG. 6

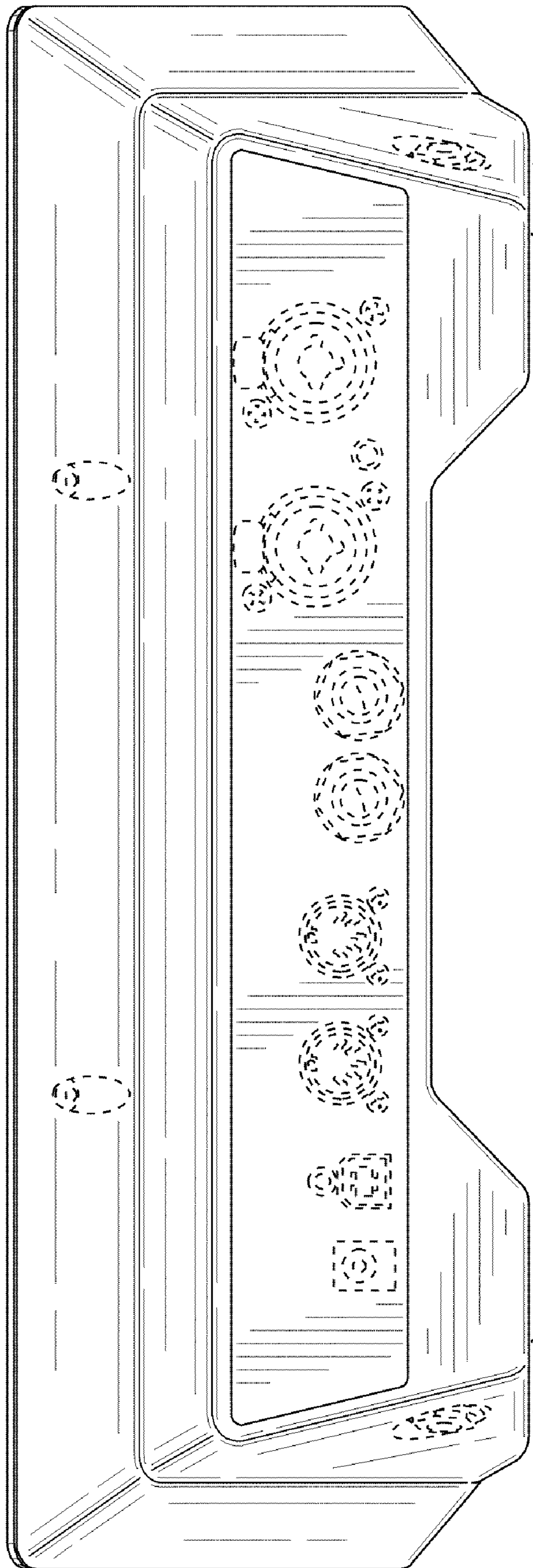


FIG. 7

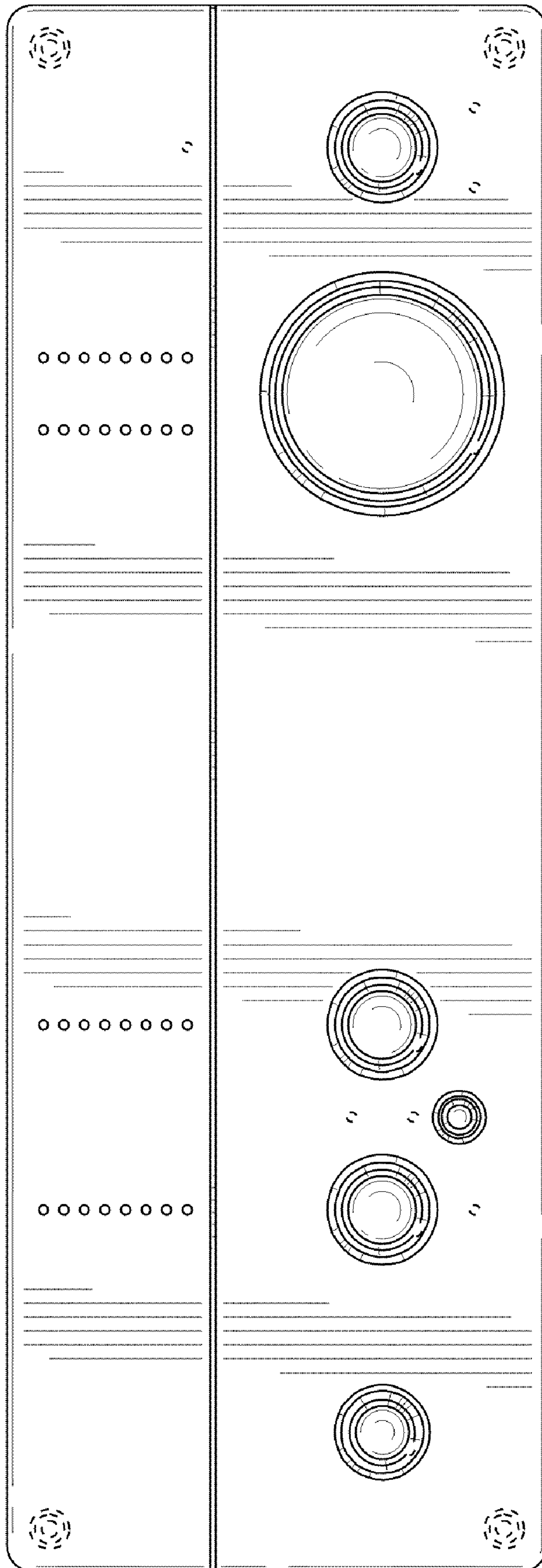


FIG. 8