



US00D611035S

(12) **United States Design Patent**
Fukai et al.

(10) **Patent No.:** **US D611,035 S**
(45) **Date of Patent:** **** Mar. 2, 2010**

(54) **SPEAKER**

D446,785 S * 8/2001 Ohta D14/216
D577,356 S * 9/2008 Moon et al. D14/215

(75) Inventors: **Yoshiaki Fukai**, Shizuoka (JP);
Yoshikazu Tsuchikiri, Shizuoka (JP);
Masahiro Mano, Shizuoka (JP)

* cited by examiner

(73) Assignee: **Star Micronics Co., Ltd.**, Shizuoka-shi (JP)

Primary Examiner—Nanda Bondade
(74) *Attorney, Agent, or Firm*—Sughrue Mion, PLLC

(**) Term: **14 Years**

(57) **CLAIM**

(21) Appl. No.: **29/337,762**

The ornamental design for a speaker, as shown and described.

(22) Filed: **May 29, 2009**

DESCRIPTION

(30) **Foreign Application Priority Data**

Feb. 2, 2009 (JP) 2009-002075

FIG. 1 is a top perspective view of the speaker according to the present invention;

(51) **LOC (9) Cl.** **14-01**

FIG. 2 is a bottom perspective view thereof;

(52) **U.S. Cl.** **D14/215**

FIG. 3 is a first side elevational view thereof;

(58) **Field of Classification Search** D14/204,
D14/210–216, 172; 181/143–144, 147–148,
181/150–153, 157, 198–199; 381/300–303,
381/306, 332–333, 336, 345, 361–364, 386–388
See application file for complete search history.

FIG. 4 is a second side elevational view thereof, rotated by 180 degrees relative to FIG. 3;

FIG. 5 is a top plan view thereof;

FIG. 6 is a bottom plan view thereof;

FIG. 7 is a third side elevational view thereof, rotated by 90 degrees relative to FIG. 4; and,

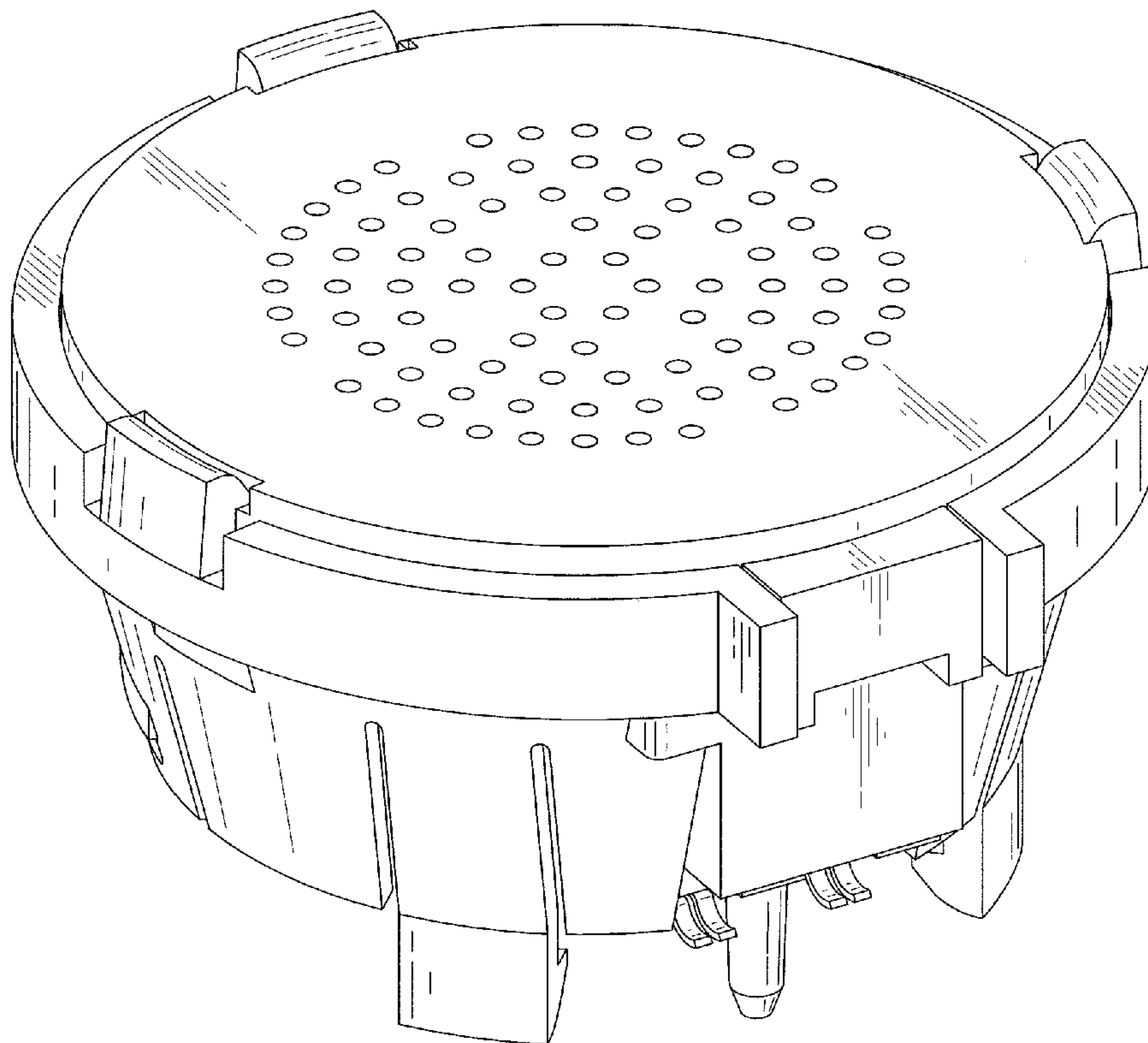
FIG. 8 is a cross-sectional view taken along line 8—8 in FIG. 5.

(56) **References Cited**

U.S. PATENT DOCUMENTS

D288,560 S * 3/1987 Anderson D14/212
5,319,164 A * 6/1994 Shen 181/150

1 Claim, 7 Drawing Sheets



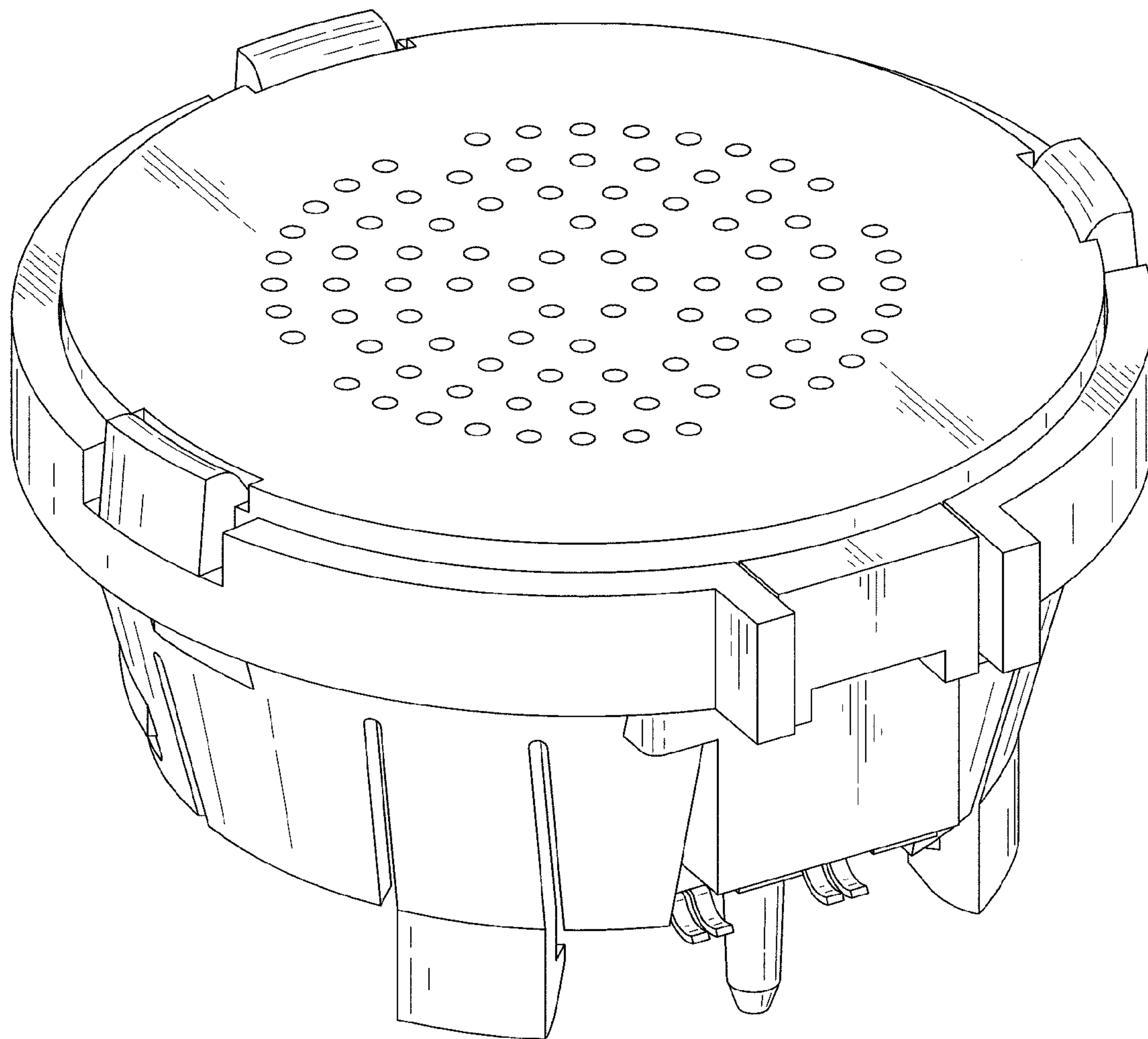


FIG. 1

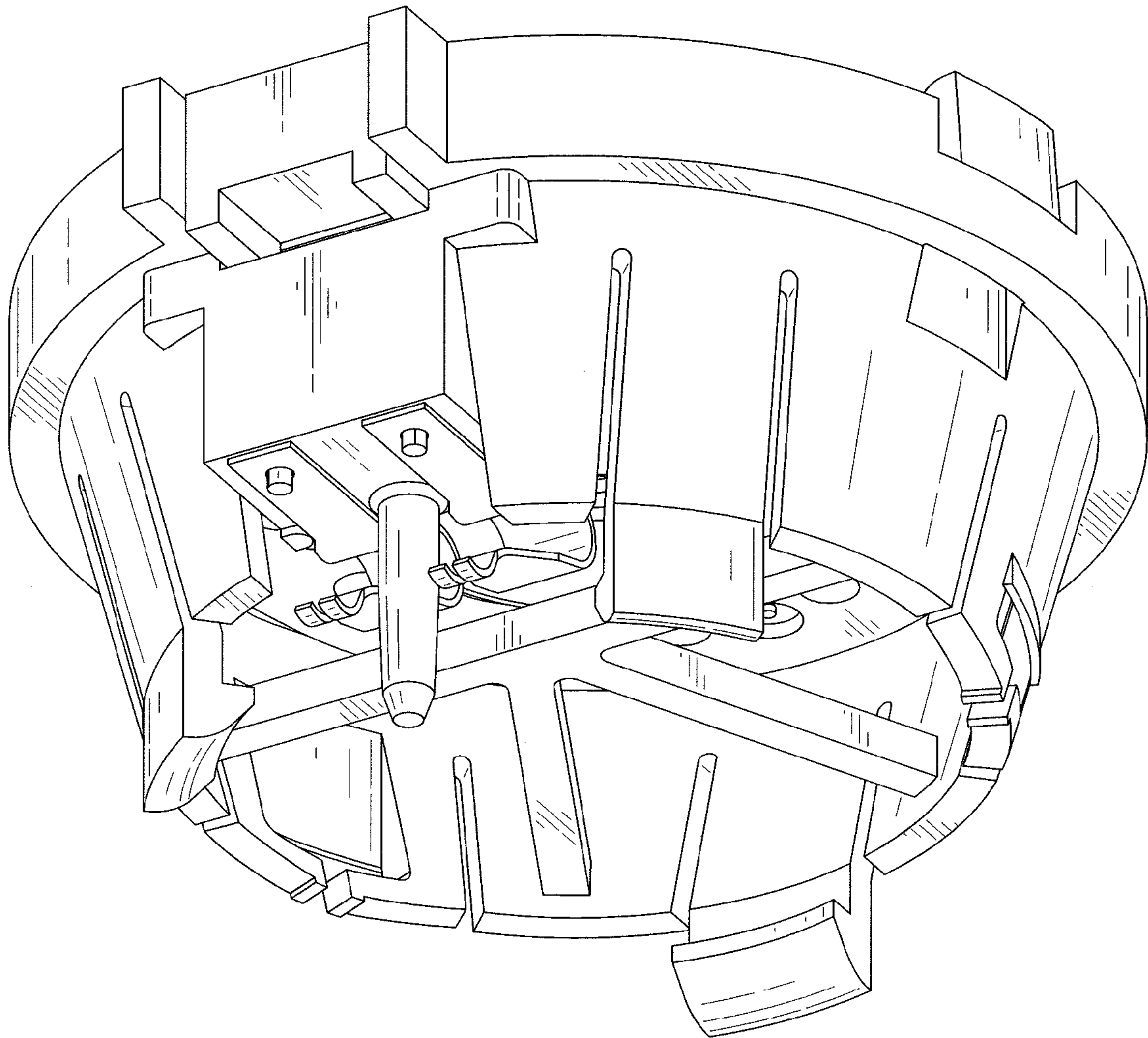


FIG. 2

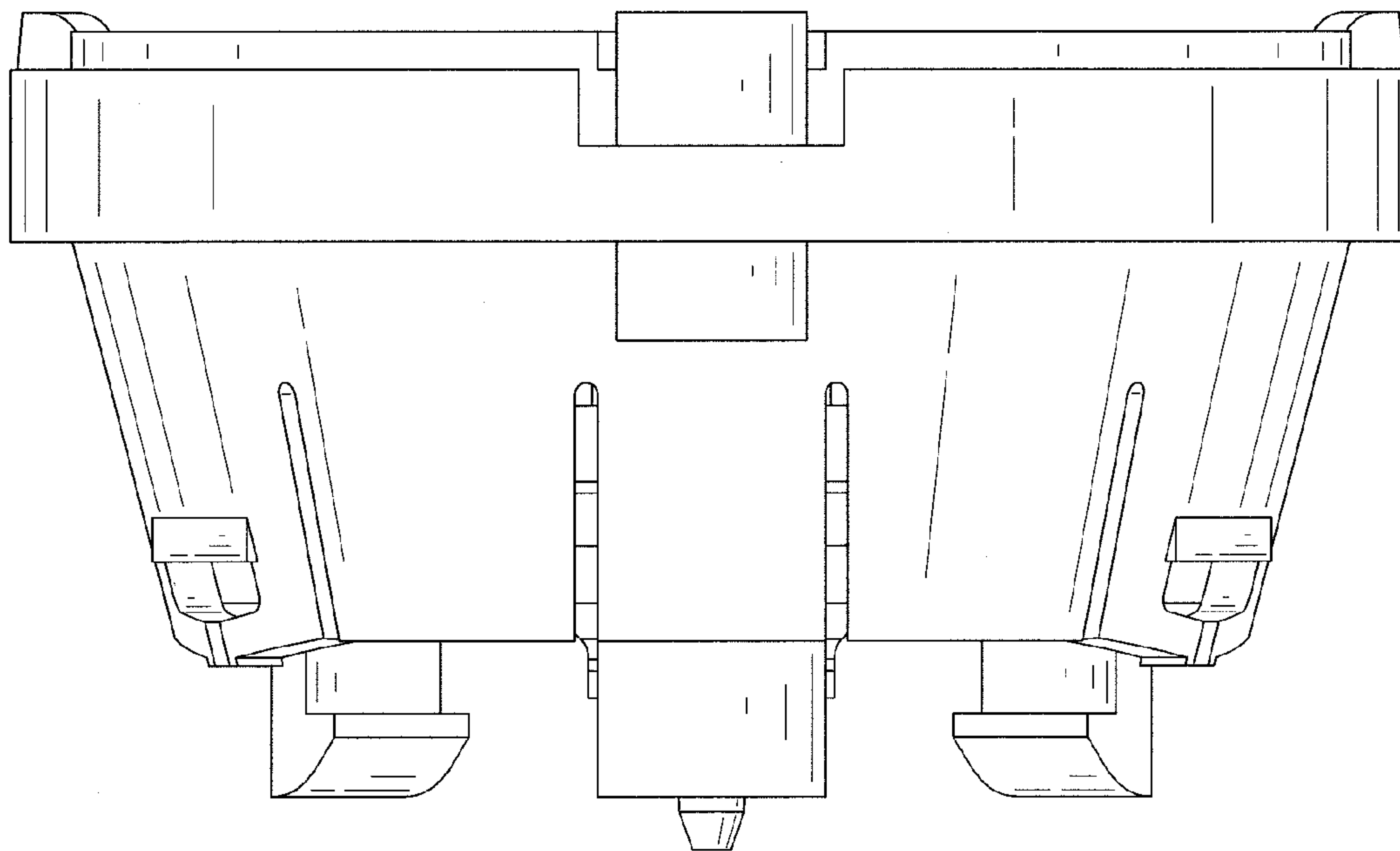


FIG. 3

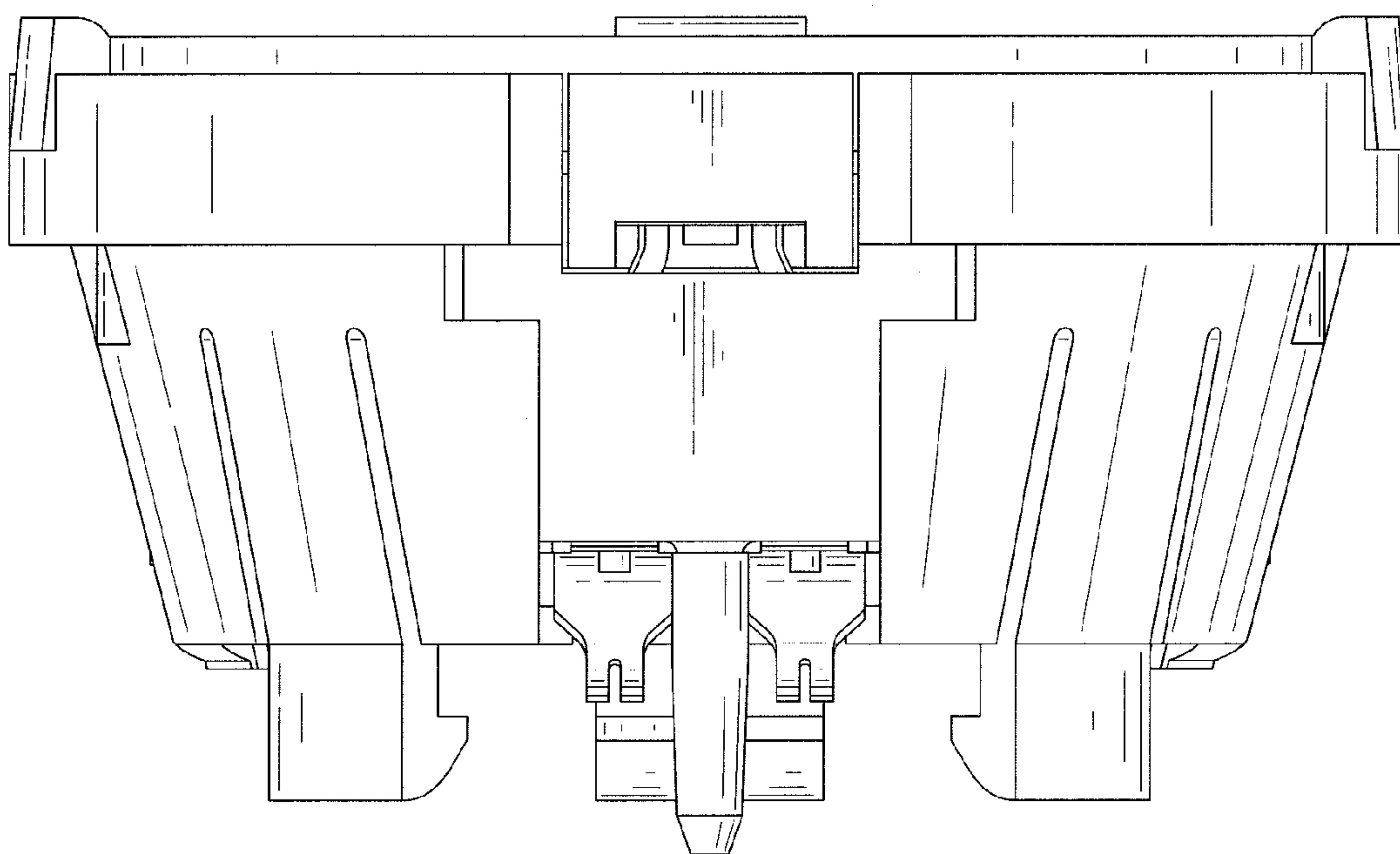


FIG. 4

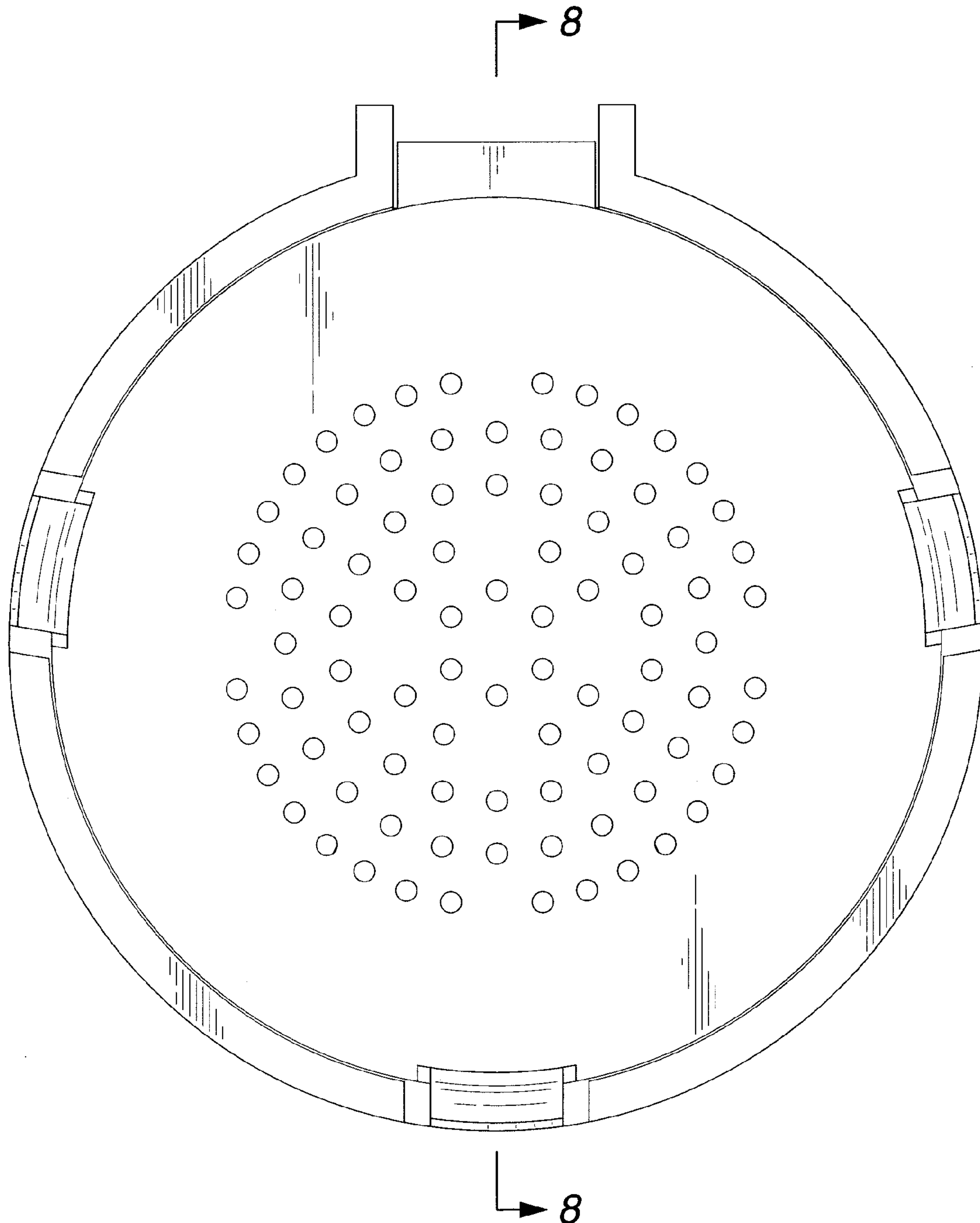


FIG. 5

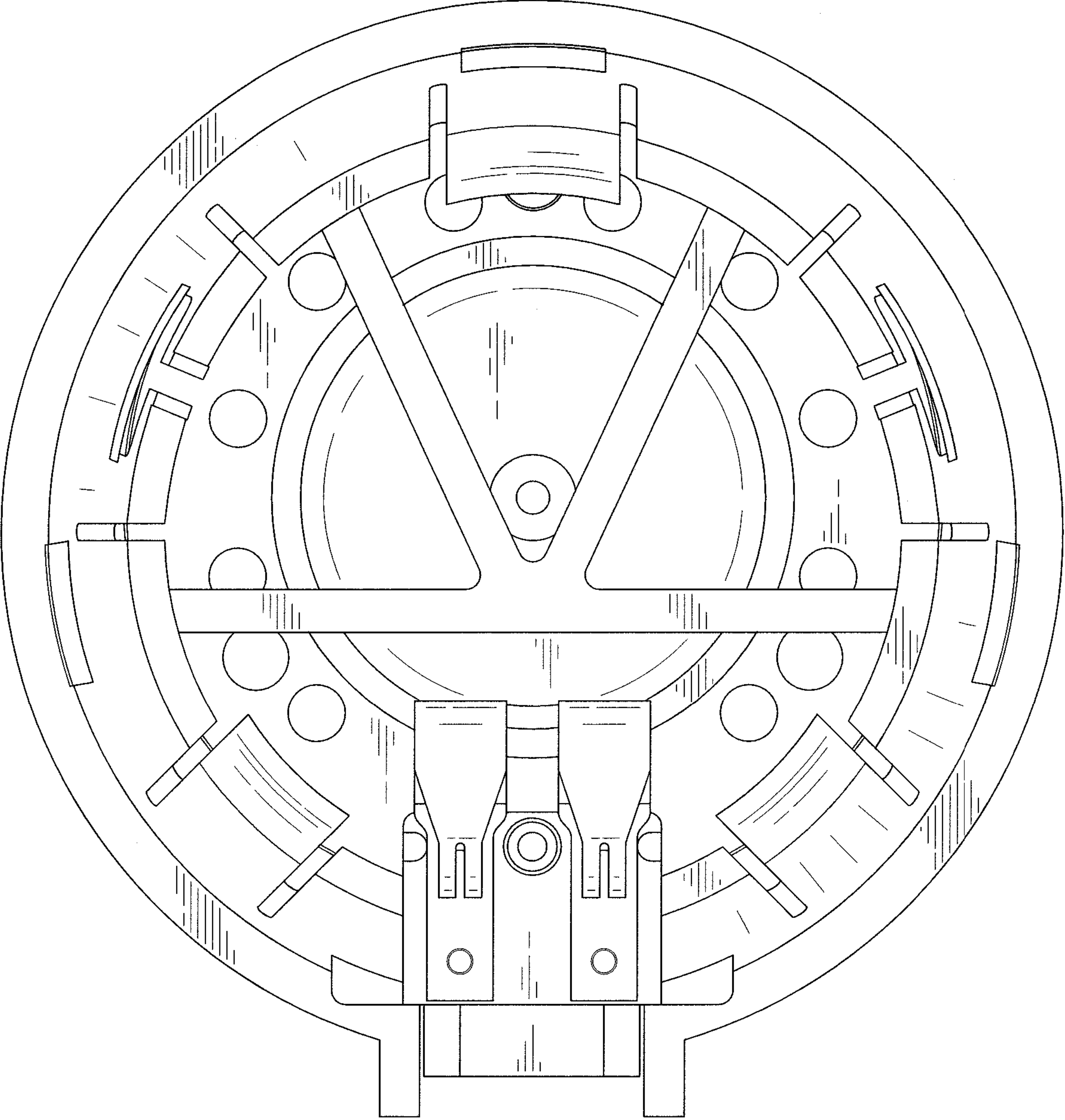


FIG. 6

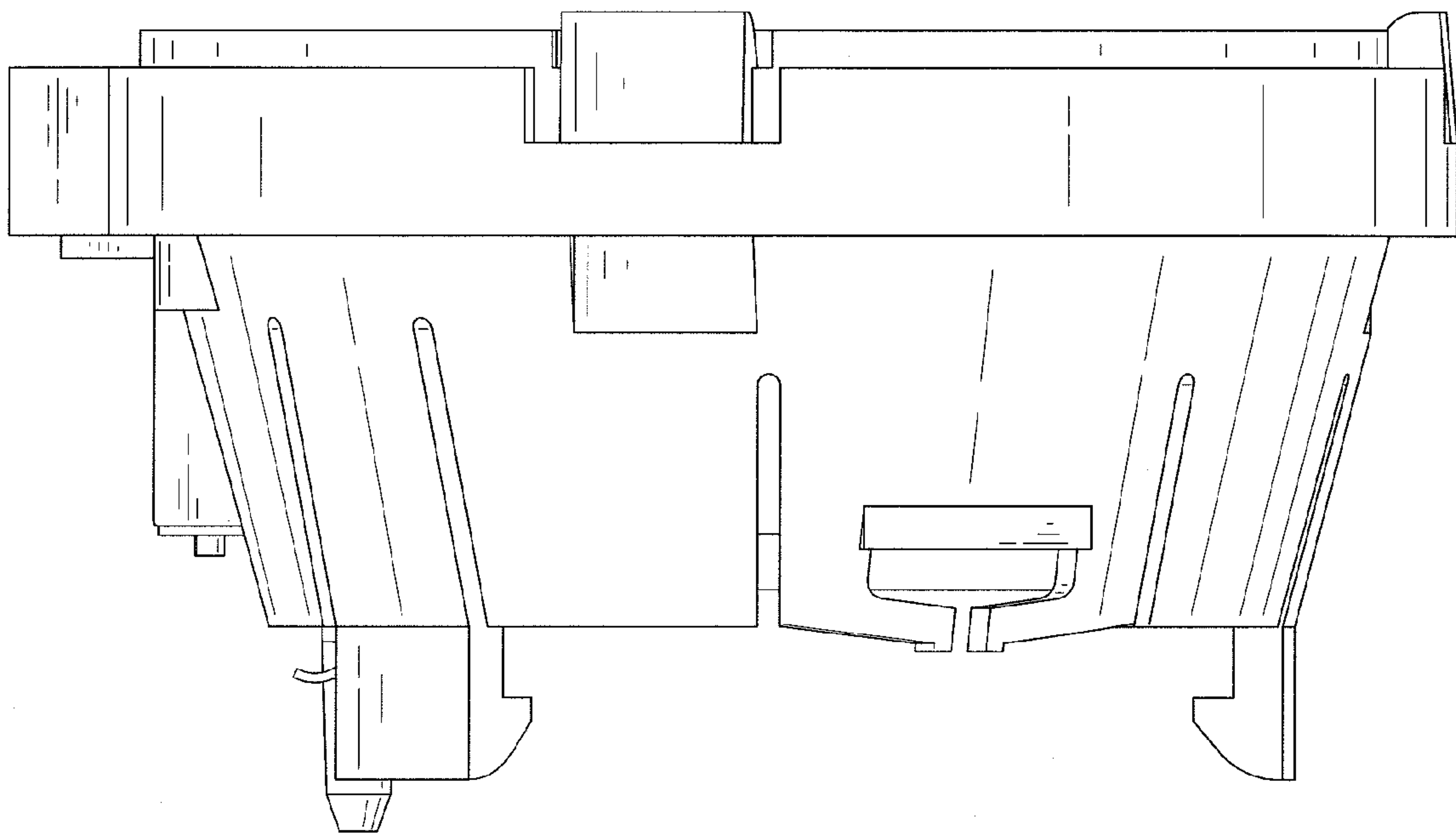


FIG. 7

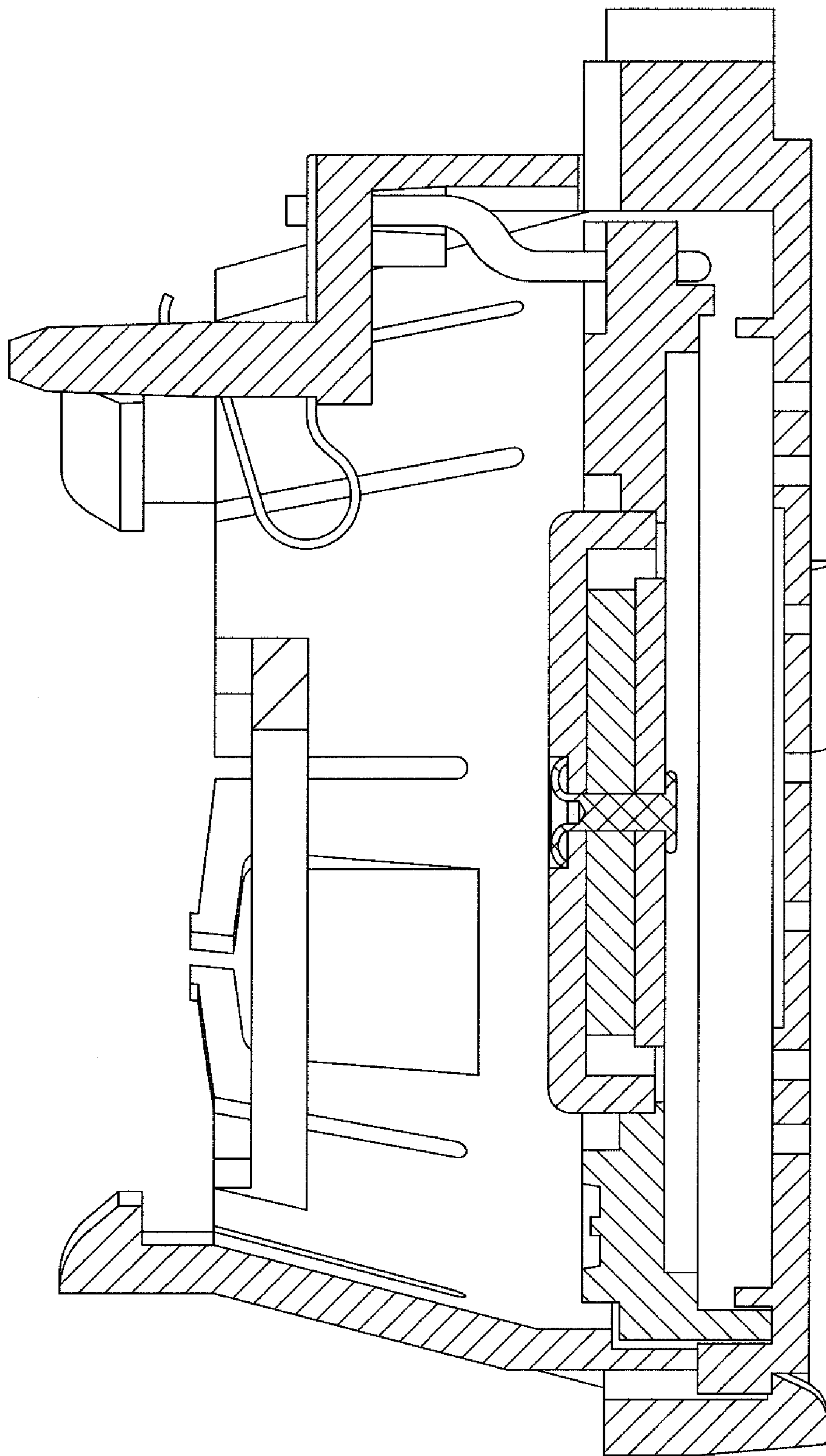


FIG. 8