



US00D611034S

(12) **United States Design Patent**
Pineau

(10) **Patent No.:** **US D611,034 S**
(45) **Date of Patent:** **** Mar. 2, 2010**

(54) **SET OF SPEAKERS**

(75) Inventor: **Alain Pineau**, Paris (FR)
(73) Assignee: **Fical JMLAB**, La Talaudiere (FR)
(**) Term: **14 Years**
(21) Appl. No.: **29/321,061**
(22) Filed: **Jul. 10, 2008**

Primary Examiner—Nanda Bondade
(74) *Attorney, Agent, or Firm*—24IP Law Group; Timothy R. DeWitt

(30) **Foreign Application Priority Data**

Jan. 10, 2008 (EP) 0856 414

(51) **LOC (9) Cl.** **14-01**
(52) **U.S. Cl.** **D14/211; D14/216**
(58) **Field of Classification Search** D14/204,
D14/207, 210–216, 172; 181/143–144, 147–148,
181/150–153, 157, 198–199; 381/300–303,
381/306, 332–333, 336, 345, 361–364, 386–388
See application file for complete search history.

(57) **CLAIM**

The ornamental design for a set of speakers, as shown and described.

DESCRIPTION

FIG. 1 is a perspective view of a base speaker of the set of speakers shown in FIG. 8, shown separately for clarity of illustration;

FIG. 2 is a front view of the base speaker shown in FIG. 1;

FIG. 3 is a front elevational view of a speaker of the set of speakers shown in FIG. 8, shown separately for clarity of illustration;

FIG. 4 is a rear elevational view of the speaker shown in FIG. 3;

FIG. 5 is a front side perspective view of the speaker shown in FIG. 3;

FIG. 6 is a front side perspective view of the speaker shown in FIG. 3, in an alternate position;

FIG. 7 is a side view of the speaker shown in FIG. 3;

FIG. 8 is a front perspective view of the set of speakers comprising a base speaker and two speakers, shown separately for clarity of illustration; and,

FIG. 9 is a perspective view of set of speakers comprising a base speaker and six speakers.

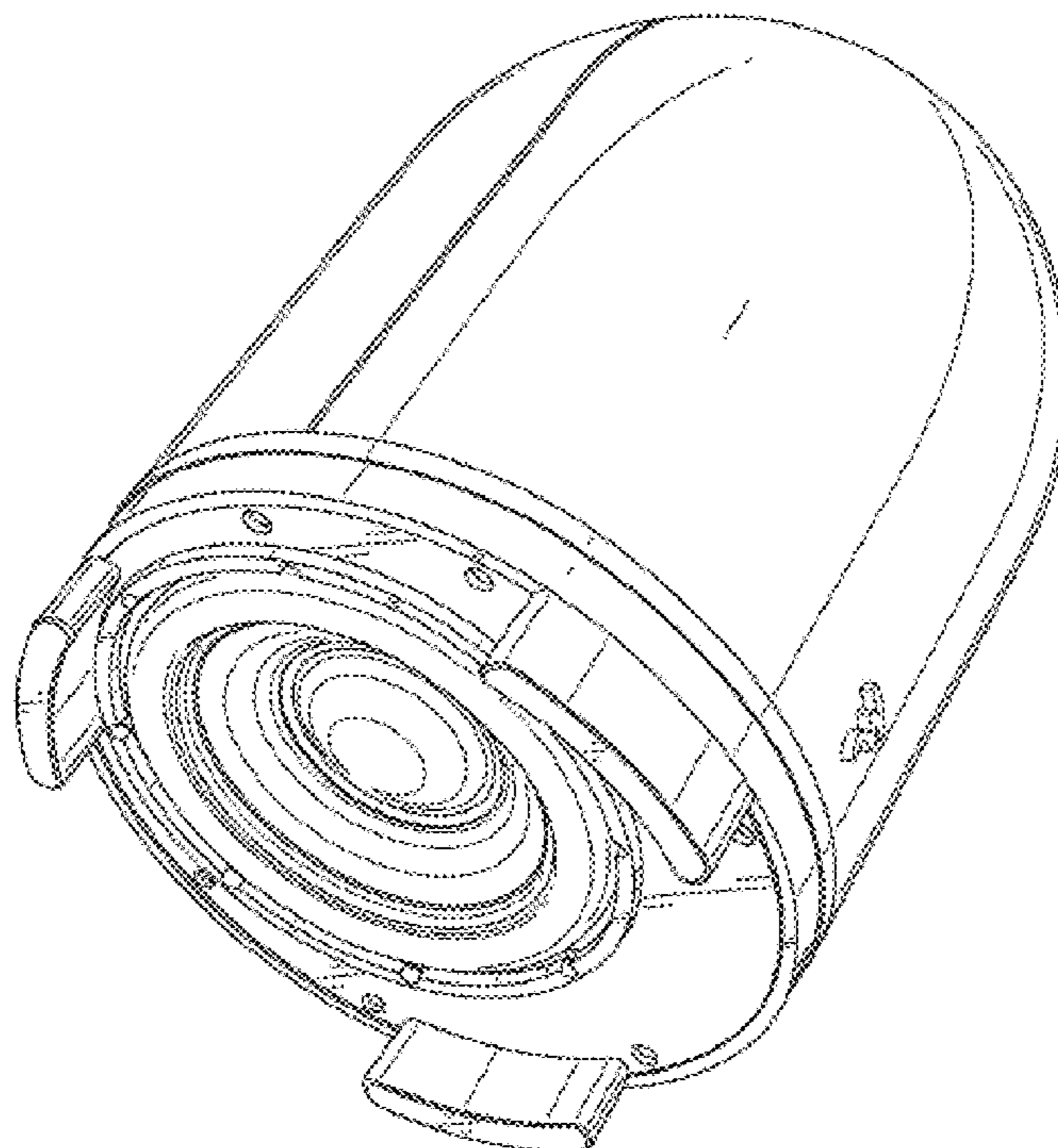
(56) **References Cited**

U.S. PATENT DOCUMENTS

D419,560 S *	1/2000	Cheung	D14/216
D440,557 S *	4/2001	Su	D14/215
D462,068 S *	8/2002	Solland	D14/216
D485,544 S *	1/2004	Solland	D14/216
D494,958 S *	8/2004	Solland	D14/215
D514,548 S *	2/2006	Chan	D14/216
D518,029 S *	3/2006	Tsang	D14/216
D524,291 S *	7/2006	Tsang	D14/216
D542,279 S *	5/2007	Chan	D14/216
D554,619 S *	11/2007	Solland	D14/215

* cited by examiner

1 Claim, 9 Drawing Sheets



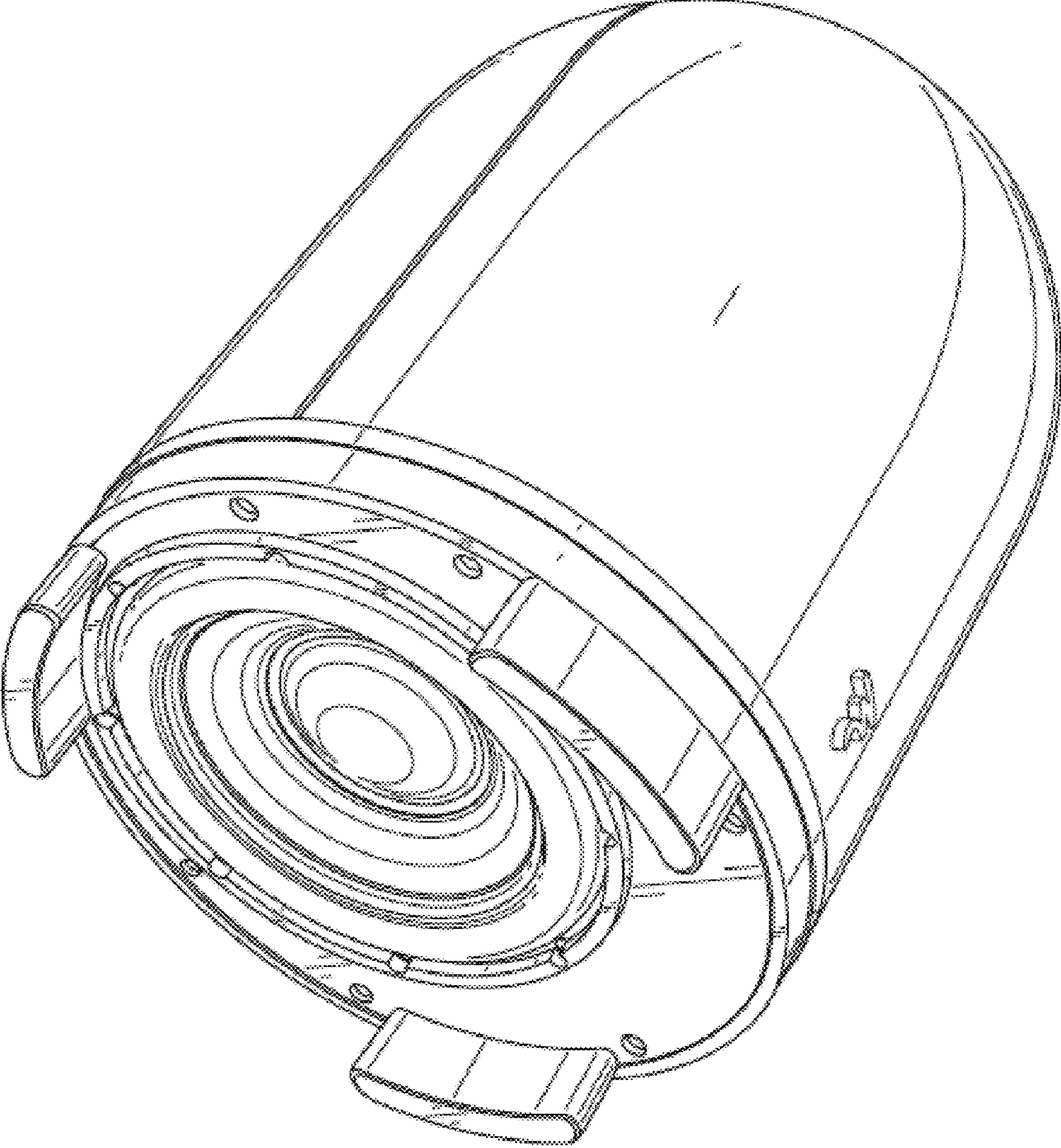


FIG. 1

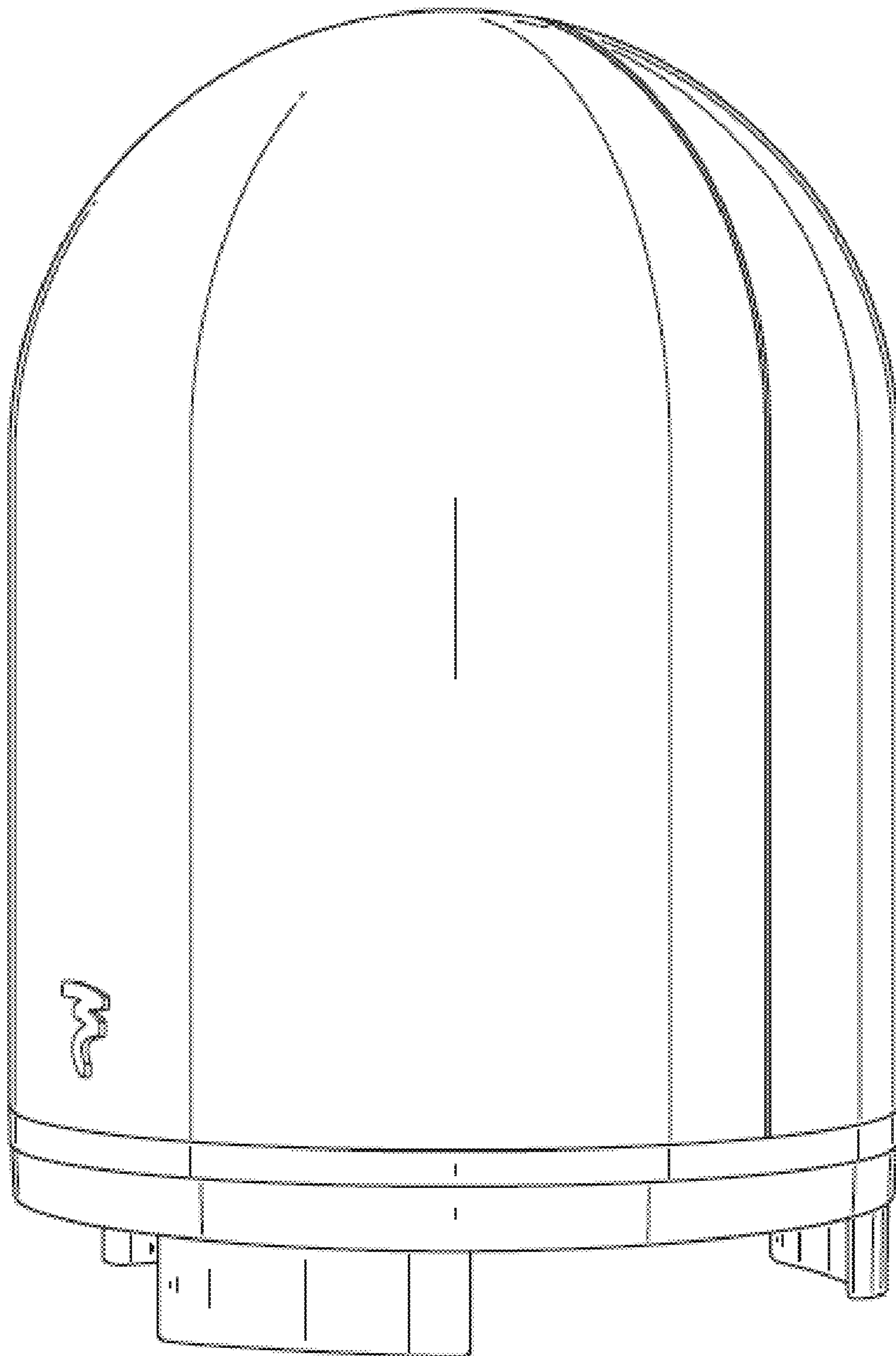


FIG. 2

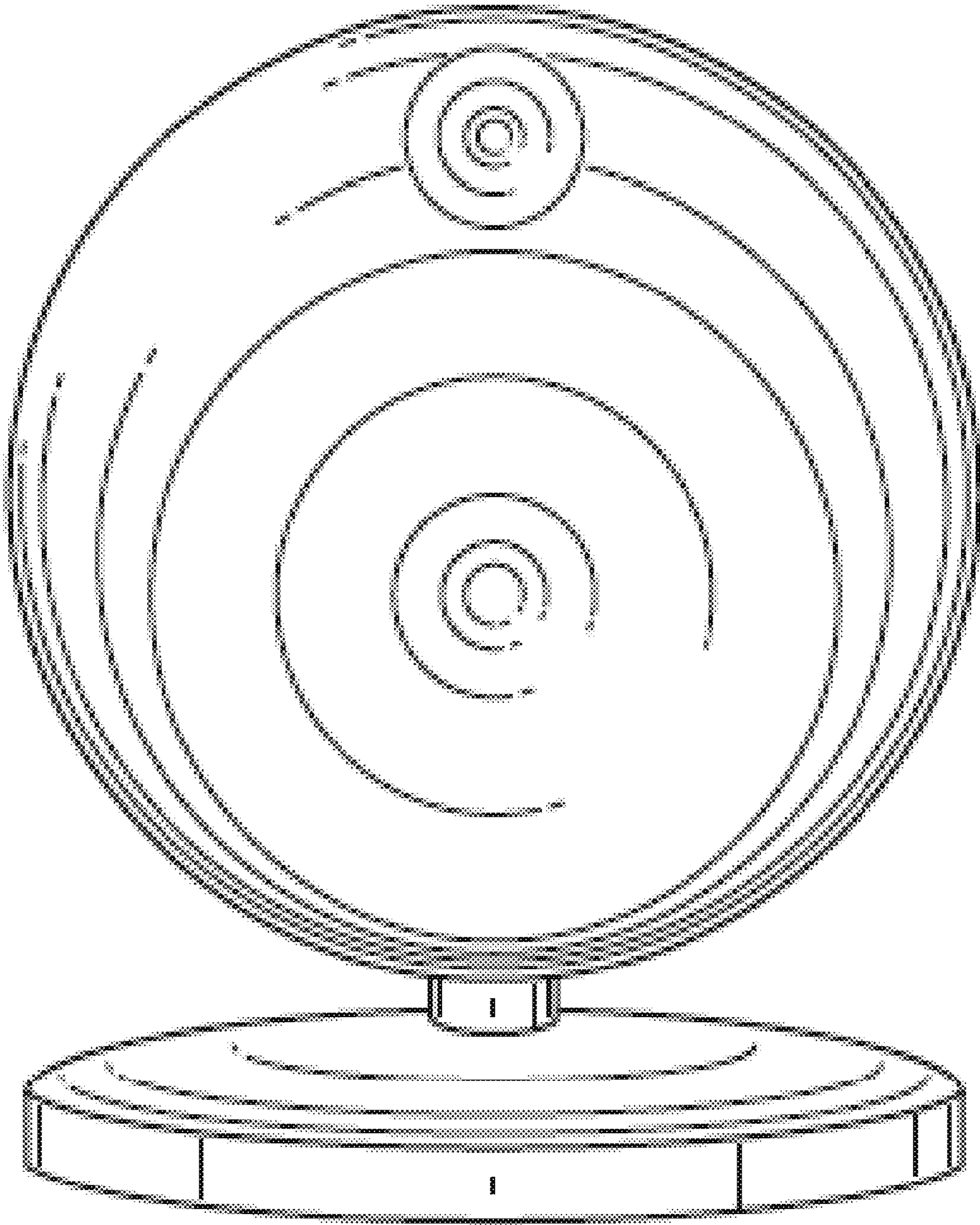


FIG. 3

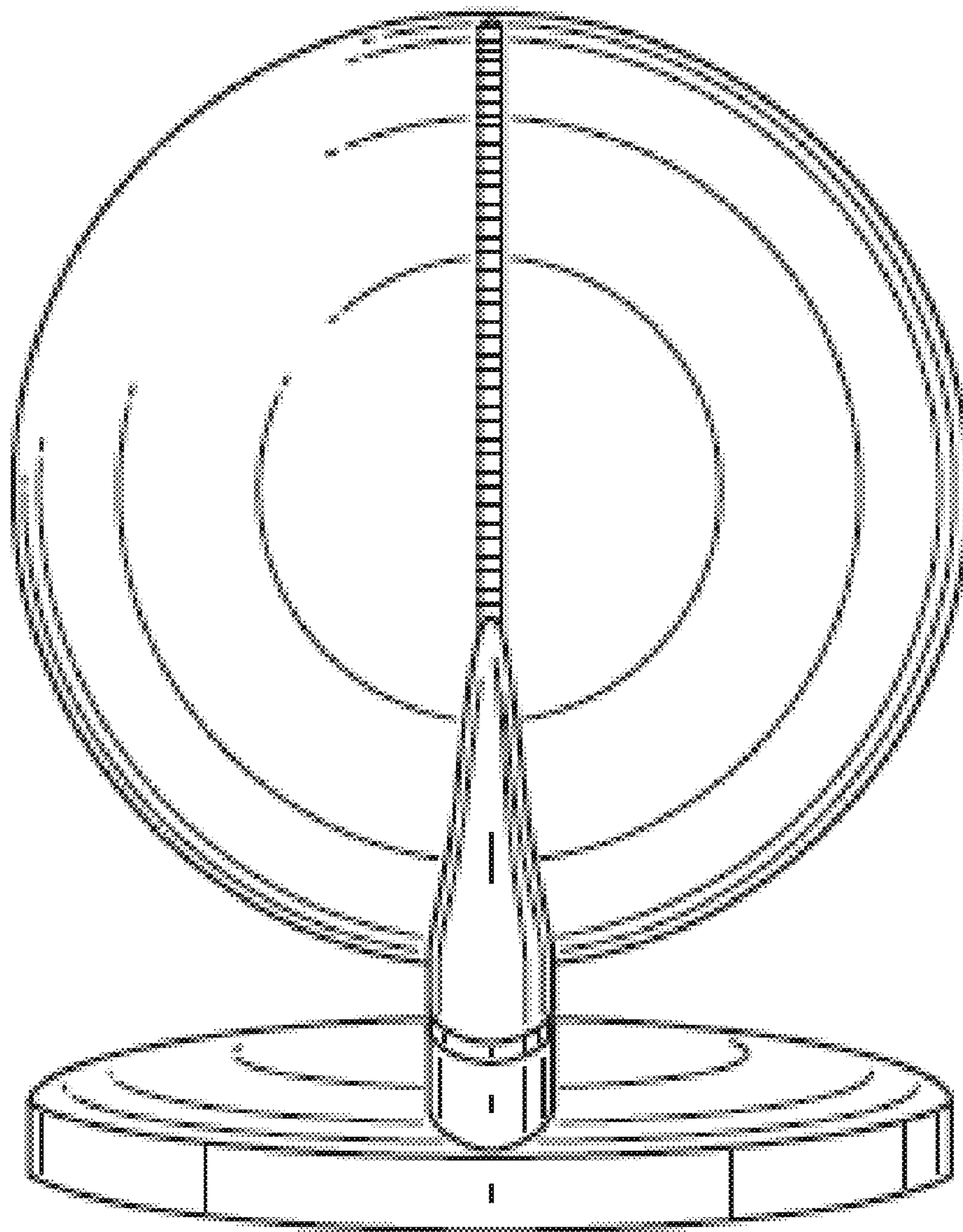


FIG. 4

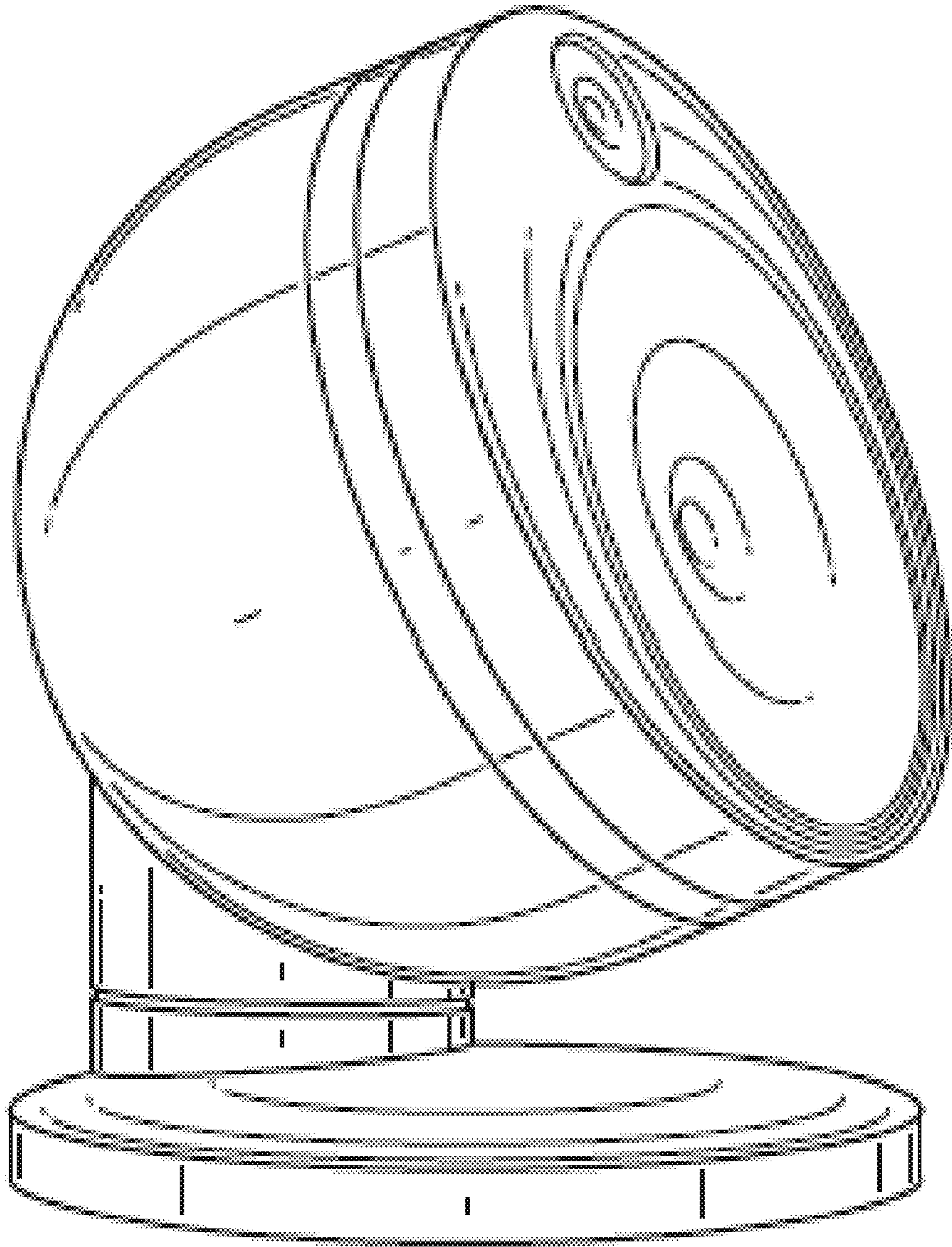


FIG. 5

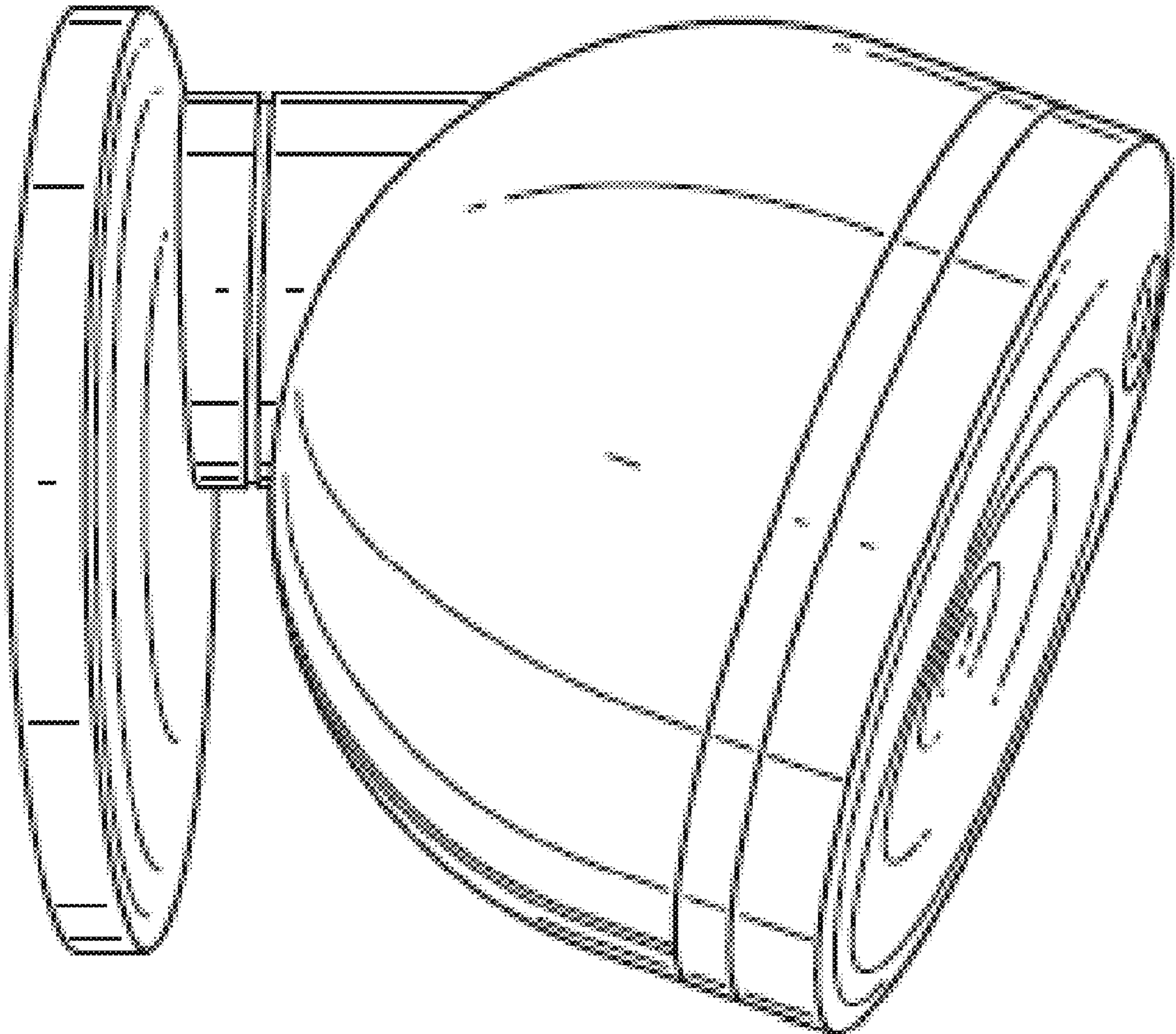


FIG. 6

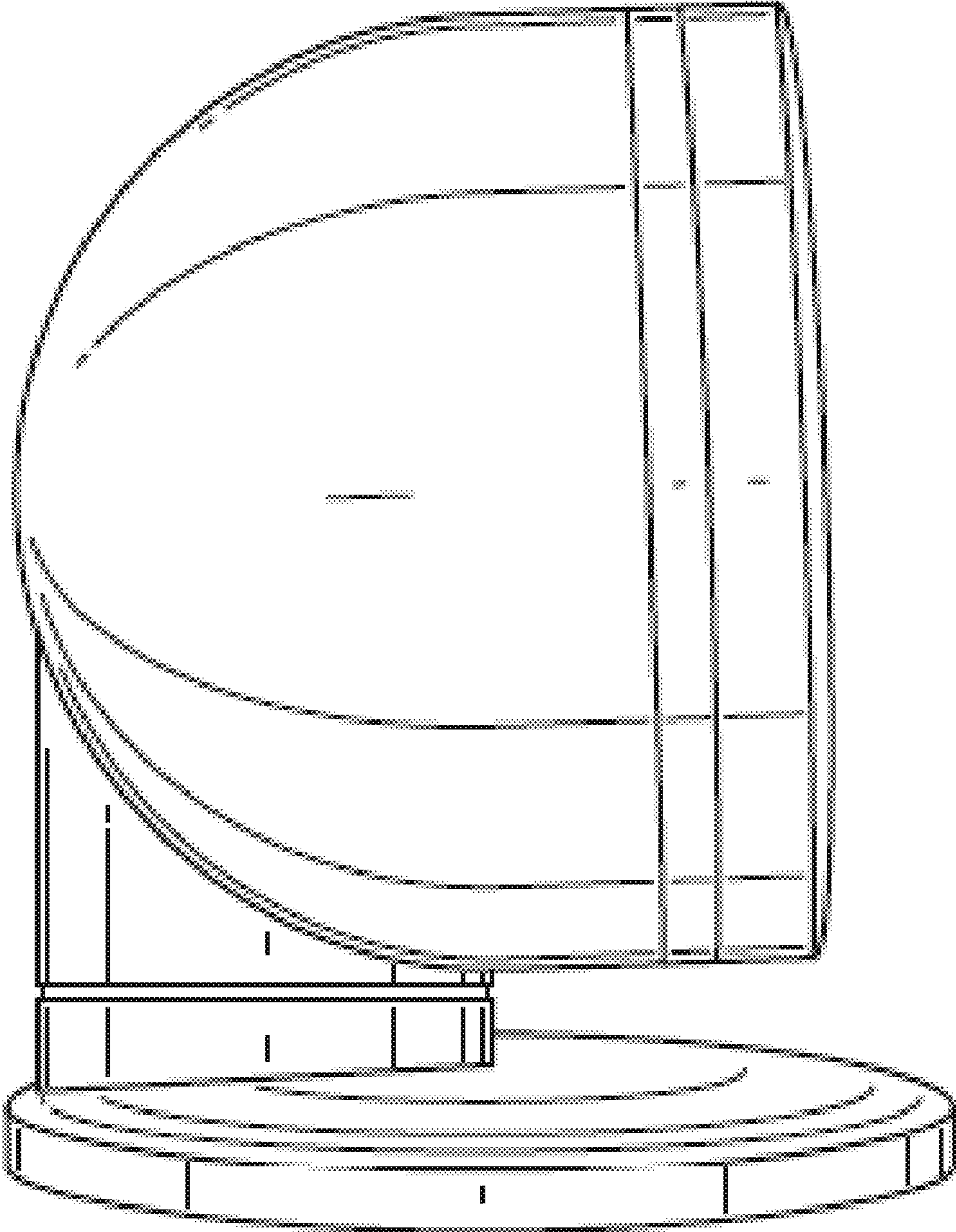


FIG. 7

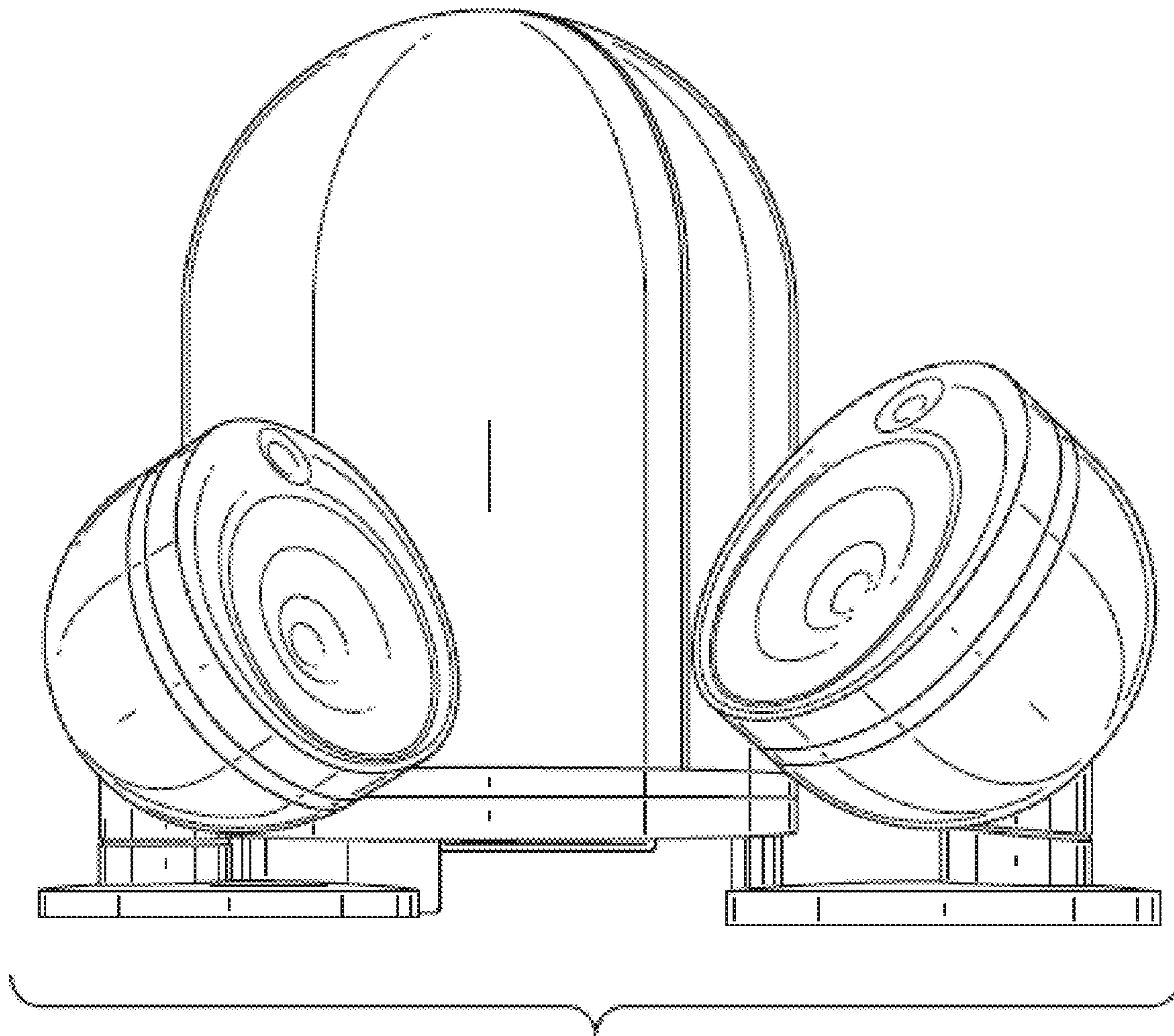


FIG. 8

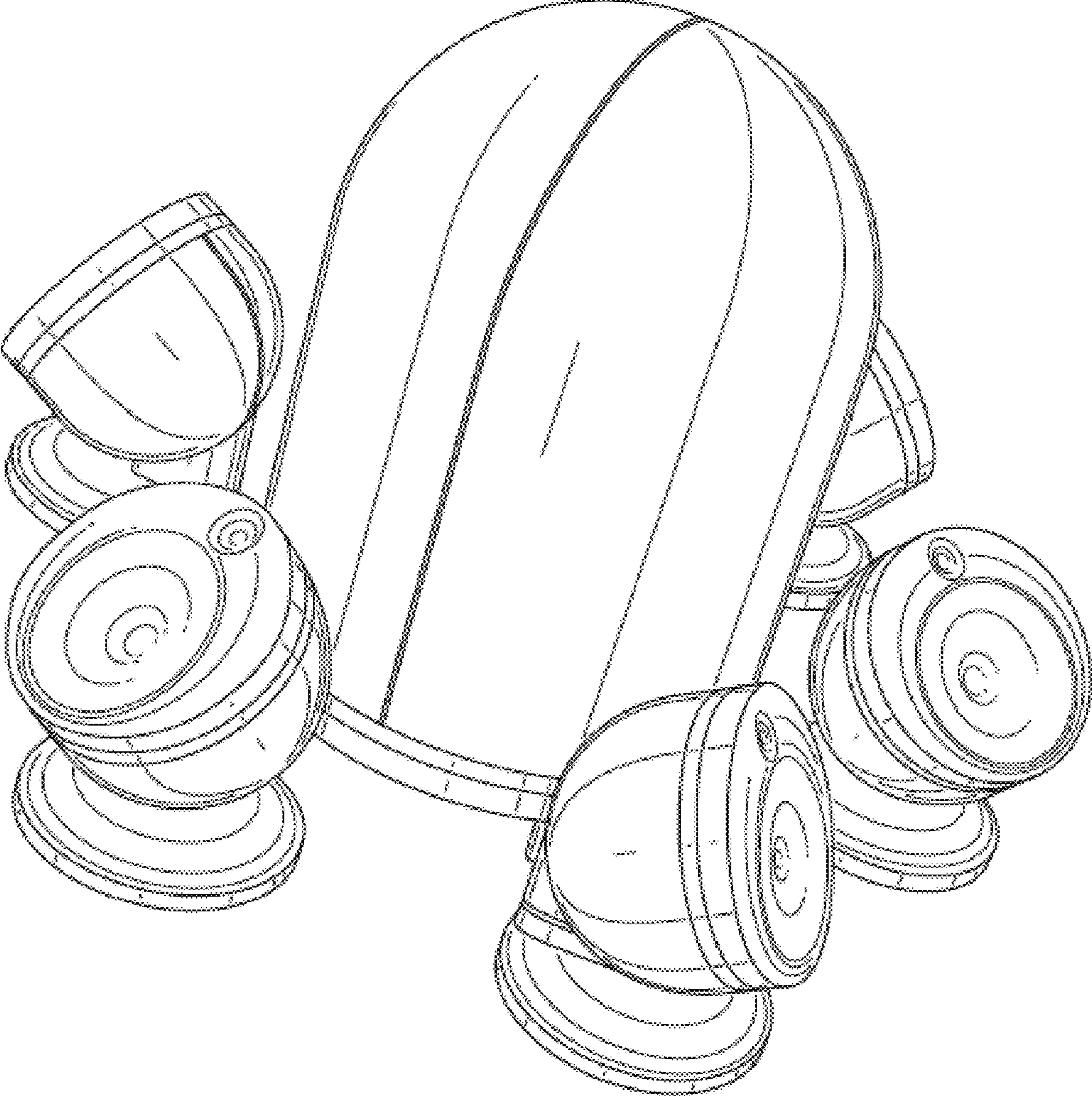


FIG. 9

UNITED STATES PATENT AND TRADEMARK OFFICE
CERTIFICATE OF CORRECTION

PATENT NO. : Des. 611,034 S
APPLICATION NO. : 29/321061
DATED : March 2, 2010
INVENTOR(S) : Alain Pineau

Page 1 of 1

It is certified that error appears in the above-identified patent and that said Letters Patent is hereby corrected as shown below:

Title Page; item (73);
Change the assignee of the patent from "Fical JMLAB" to "Focal JMLAB"

Signed and Sealed this

Eighteenth Day of May, 2010

A handwritten signature in black ink that reads "David J. Kappos". The signature is written in a cursive, flowing style.

David J. Kappos
Director of the United States Patent and Trademark Office