



US00D611033S

(12) **United States Design Patent**
Ferber et al.

(10) **Patent No.:** **US D611,033 S**
(45) **Date of Patent:** **** Mar. 2, 2010**

(54) **SPEAKER SYSTEM WITH A MOTORIZED ROTATING DOCK**

D524,287 S * 7/2006 Hibi D14/168
D554,105 S * 10/2007 Langberg et al. D14/214
D556,737 S * 12/2007 Oh D14/214

(75) Inventors: **Roman S. Ferber**, West Bloomfield, MI (US); **Ron Tsang**, Ajax (CA)

* cited by examiner

(73) Assignee: **FKA Distributing Co.**, Commerce Township, MI (US)

Primary Examiner—Nanda Bondade

(74) *Attorney, Agent, or Firm*—Fraser Clemens Martin & Miller LLC; J. Douglas Miller

(**) Term: **14 Years**

(57) **CLAIM**

(21) Appl. No.: **29/329,896**

The ornamental design for a speaker system with a motorized rotating dock, as shown and described.

(22) Filed: **Dec. 23, 2008**

DESCRIPTION

(51) **LOC (9) Cl.** **14-01**

FIG. 1 is a perspective view of a speaker system with a motorized rotating dock incorporating our new design;

(52) **U.S. Cl.** **D14/209.1**

FIG. 2 is a front elevational view thereof, showing the dock rotated to a second position;

(58) **Field of Classification Search** D14/203.8, D14/204, 209.1, 210–217, 168, 170–172, D14/496; 181/143–144, 147–148, 150–153, 181/157, 198–199; 381/300–303, 306, 332–336, 381/345, 361–364, 386–388

FIG. 3 is a rear elevational view thereof;

FIG. 4 is a top plan view thereof;

See application file for complete search history.

FIG. 5 is a bottom plan view thereof;

FIG. 6 is a right side elevational view thereof; and,

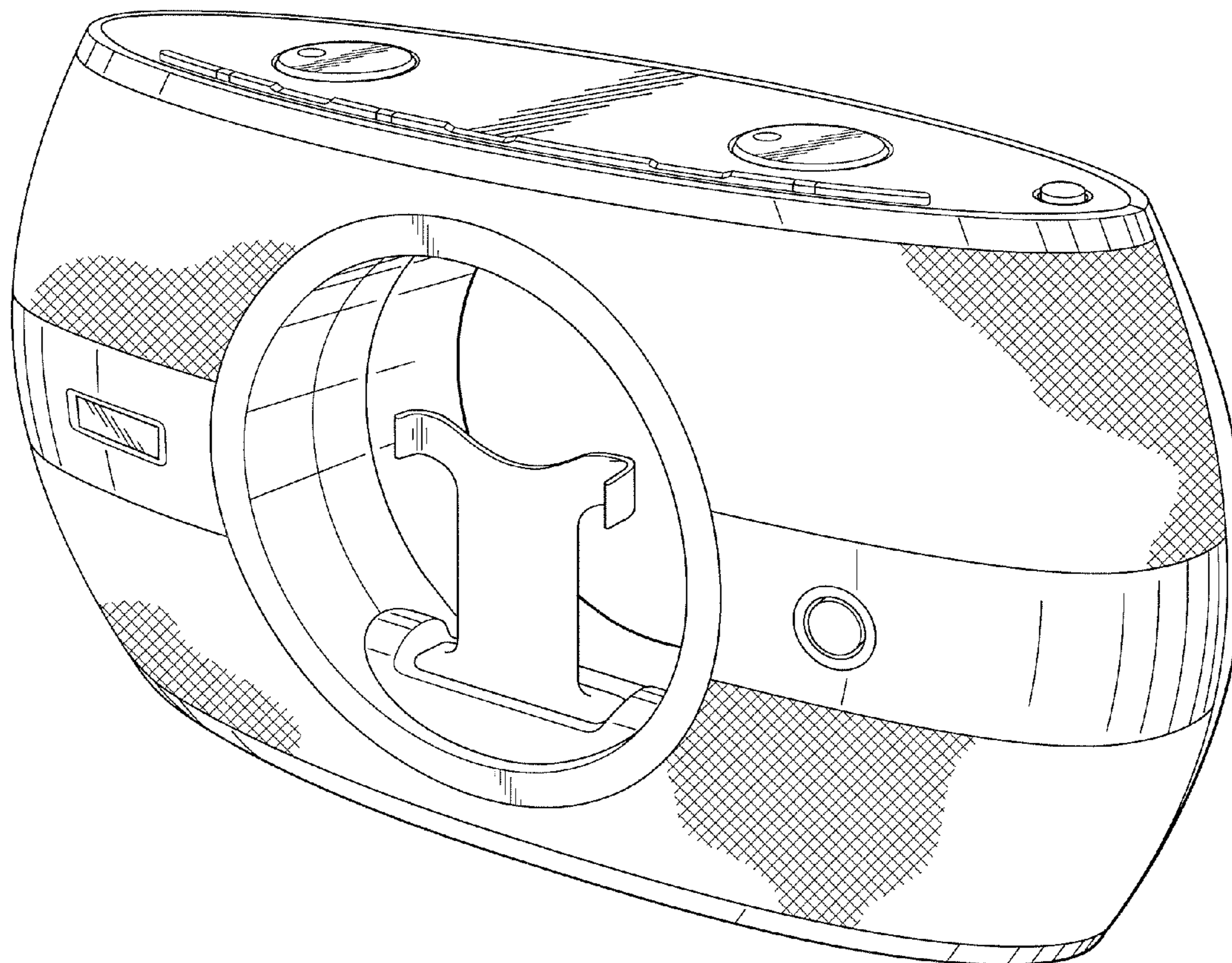
FIG. 7 is a left side elevational view thereof.

(56) **References Cited**

U.S. PATENT DOCUMENTS

D379,007 S * 4/1997 Obata D14/168

1 Claim, 5 Drawing Sheets



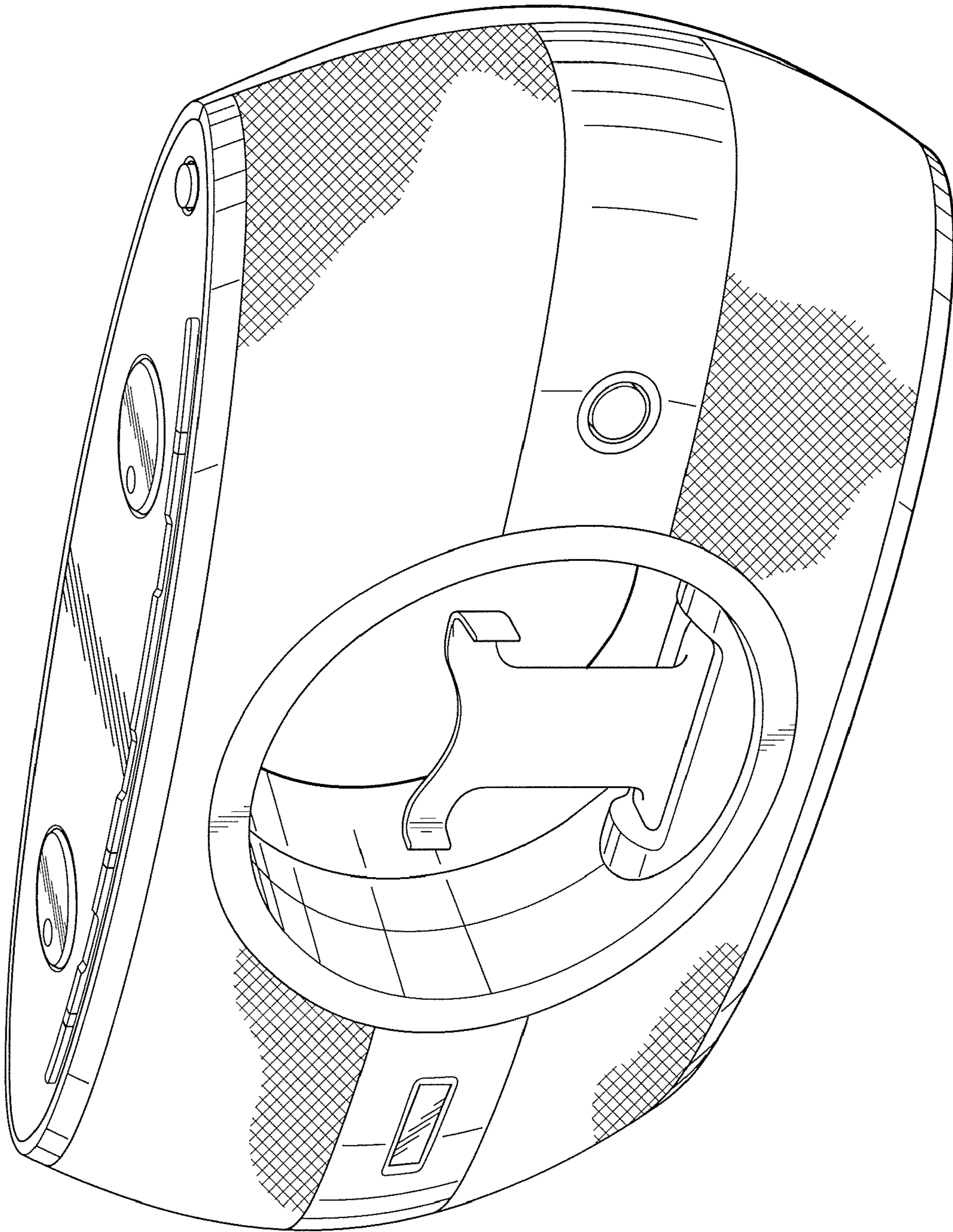


FIG. 1

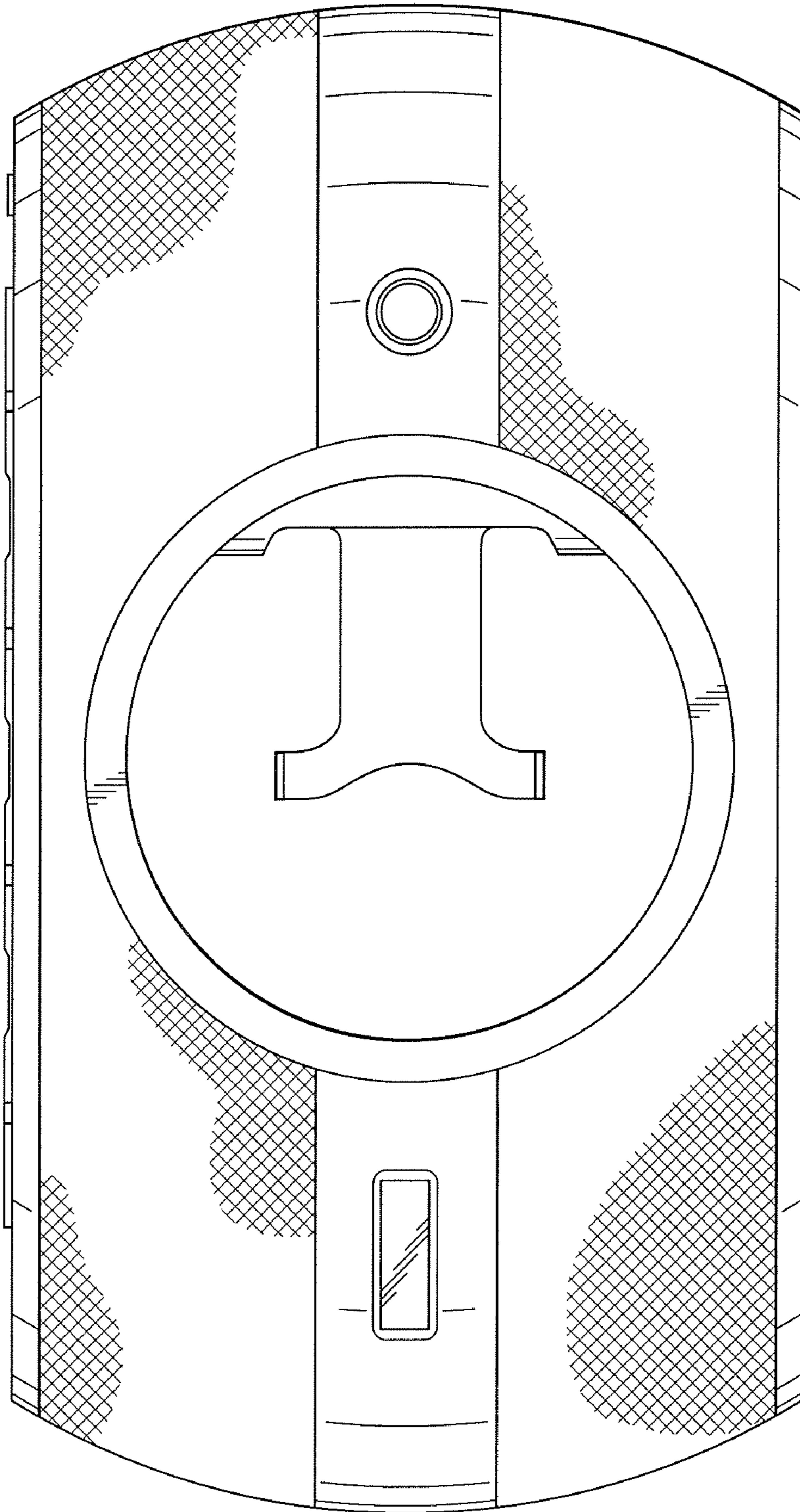


FIG. 2

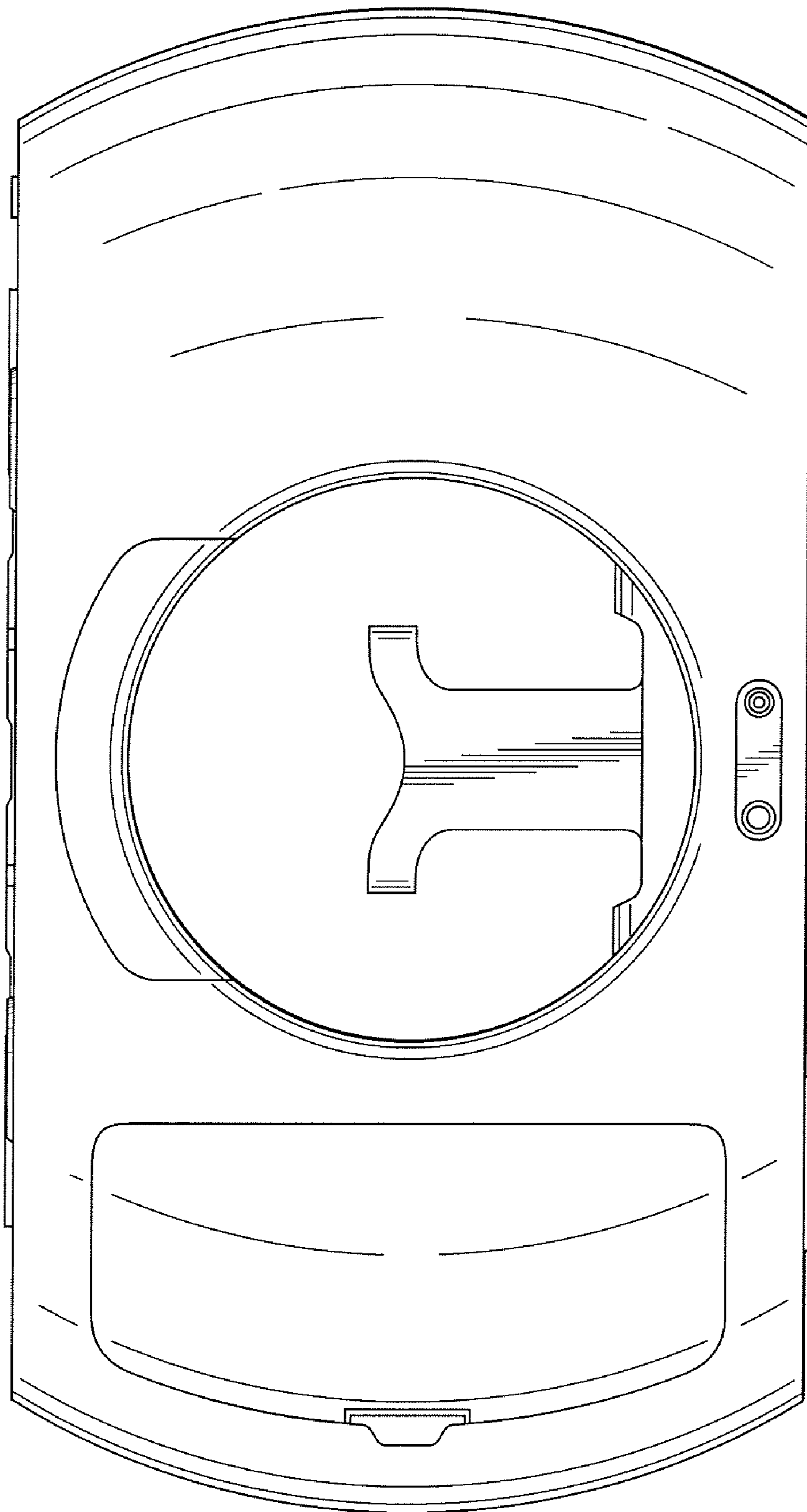


FIG. 3

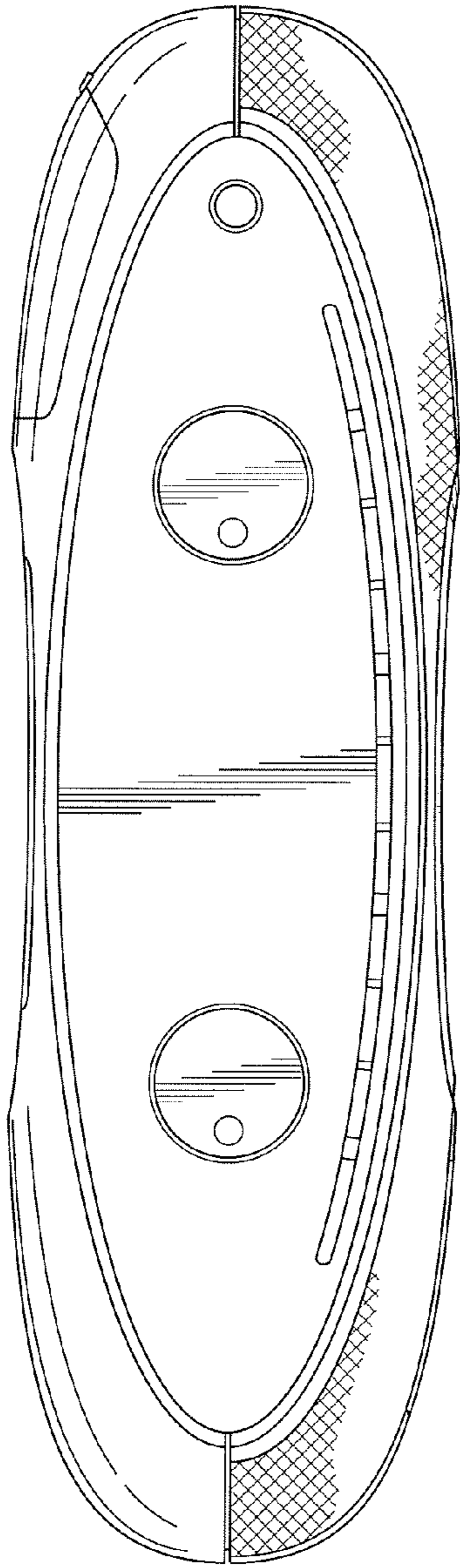


FIG. 4

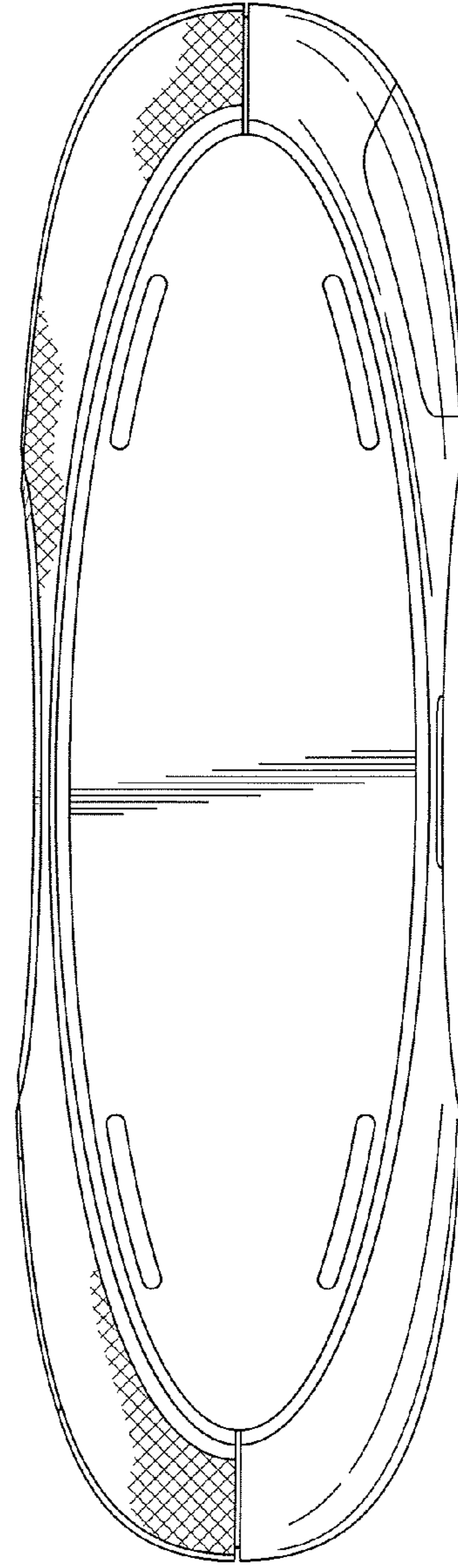


FIG. 5

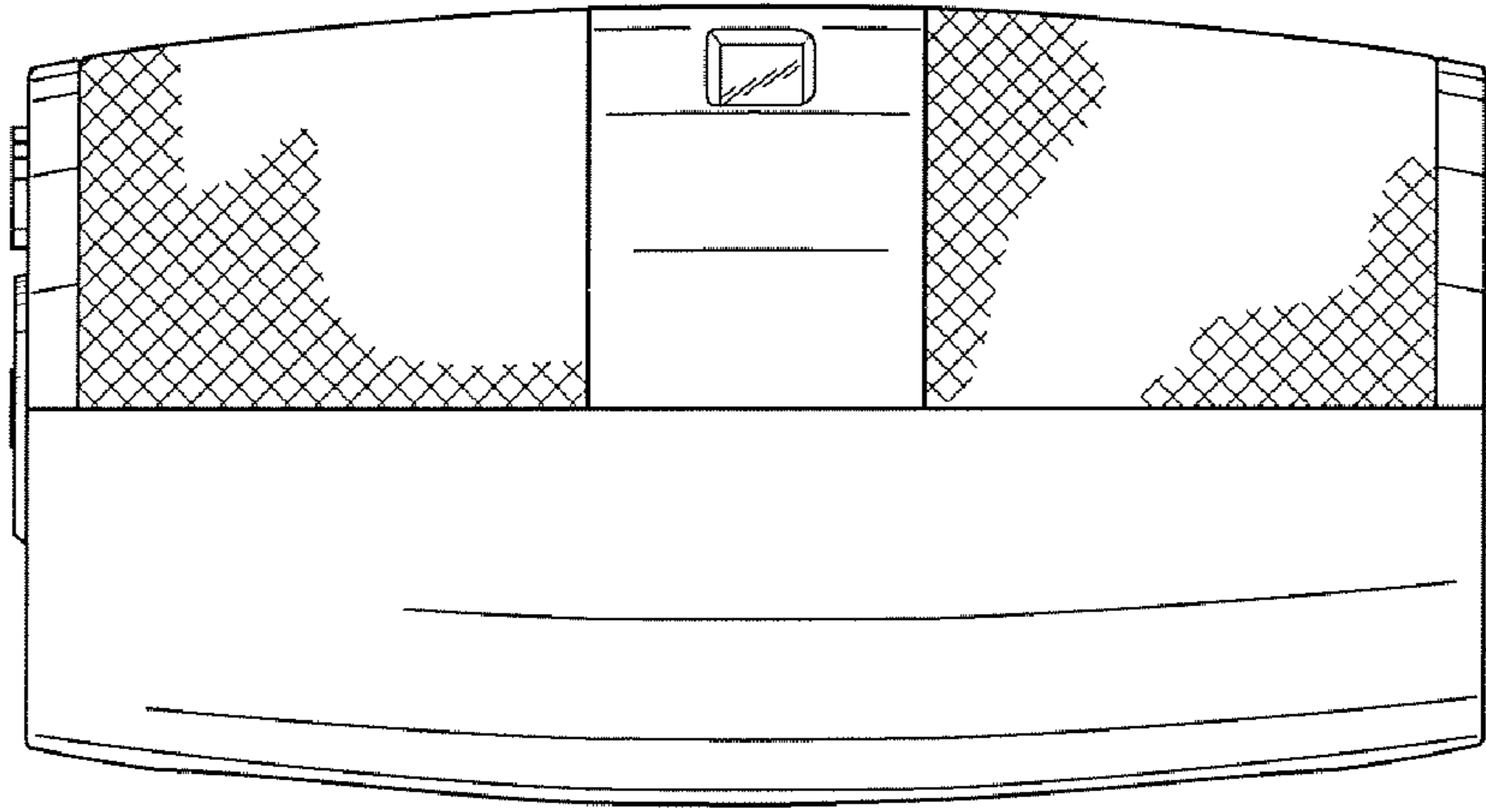


FIG. 7

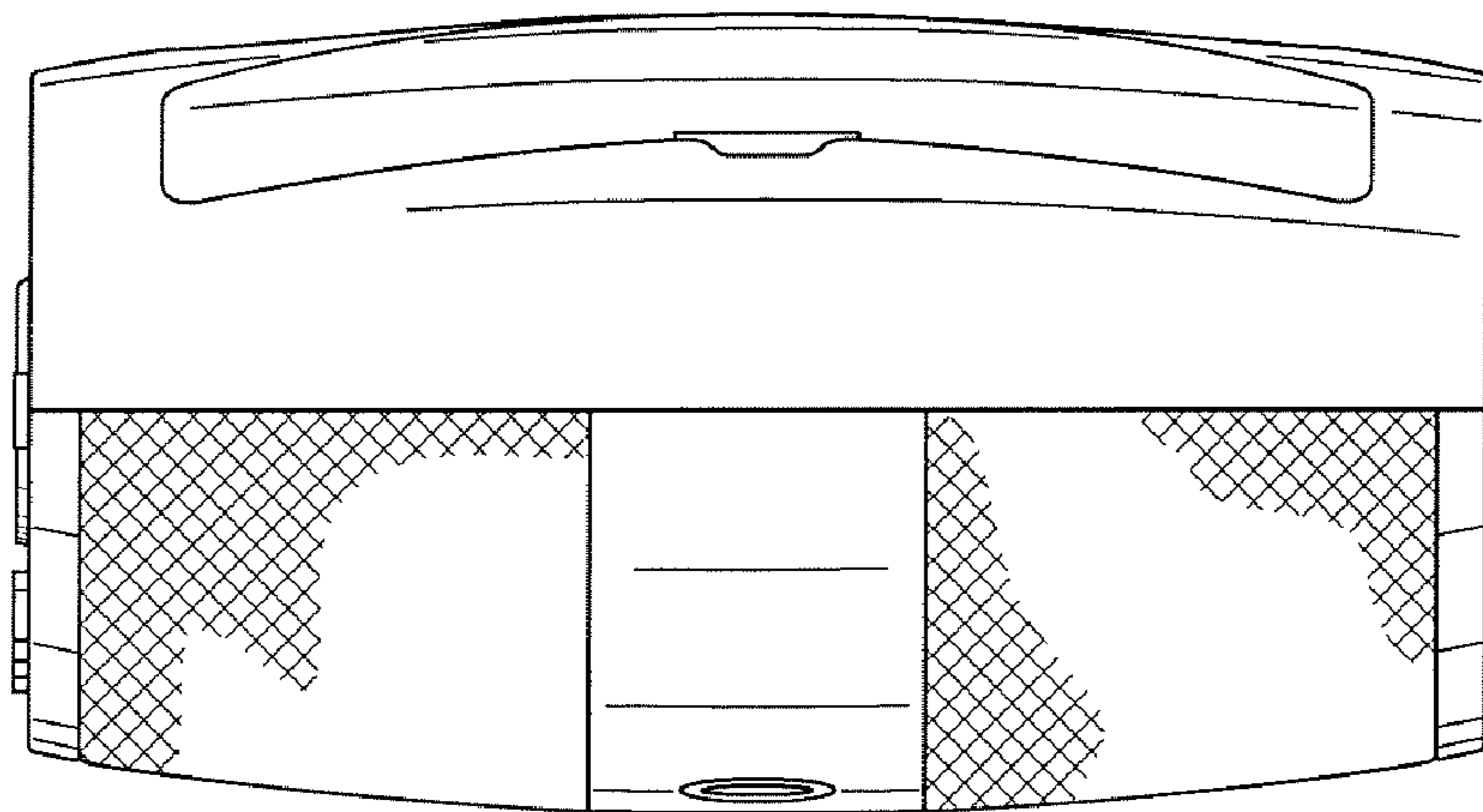


FIG. 6