



US00D611022S

(12) **United States Design Patent**
Puhalla et al.

(10) **Patent No.:** **US D611,022 S**
(45) **Date of Patent:** **** Mar. 2, 2010**

(54) **MOBILE COMMUNICATION DEVICE**

(75) Inventors: **Dennis Matthew Puhalla**, Chicago, IL
(US); **Scott Harold Wilson**, Chicago, IL
(US)

(73) Assignee: **Sonim Technologies, Inc.**, San Mateo,
CA (US)

(**) Term: **14 Years**

(21) Appl. No.: **29/332,401**

(22) Filed: **Feb. 13, 2009**

(51) **LOC (9) Cl.** **14-03**

(52) **U.S. Cl.** **D14/138 AA**

(58) **Field of Classification Search** D14/138 AA,
D14/138 R, 147, 341, 346, 137; 455/575.1,
455/90.3, 556.1; 379/433.01, 433.04

See application file for complete search history.

(56) **References Cited**

U.S. PATENT DOCUMENTS

D498,735 S *	11/2004	Chen et al.	D14/138 AA
D505,934 S *	6/2005	Gonser	D14/138 AA
D513,741 S *	1/2006	Jensfelt	D14/138 AA
D514,079 S *	1/2006	Lai	D14/138 AA
D524,786 S *	7/2006	Paradise et al.	D14/138 AA
D537,432 S *	2/2007	Kim et al.	D14/138 AA
D539,775 S *	4/2007	Park et al.	D14/138 AA
D545,800 S *	7/2007	Ou et al.	D14/138 AA
D546,316 S *	7/2007	Wu et al.	D14/138 AA
D546,803 S *	7/2007	Lee et al.	D14/138 AA
D546,808 S *	7/2007	Kim et al.	D14/138 AA
D549,208 S *	8/2007	Huang et al.	D14/138 AA
D560,630 S *	1/2008	Mitchell et al.	D14/138 AA
D565,000 S *	3/2008	Pitt	D14/138 AA
D576,129 S *	9/2008	Bjorninen	D14/138 AA
D576,584 S *	9/2008	Buckle et al.	D14/138 AA
D576,994 S *	9/2008	Oh et al.	D14/138 AA
D584,712 S *	1/2009	Okkonen	D14/138 AA
D588,087 S *	3/2009	Stone	D14/138 AA
D589,925 S *	4/2009	Shi	D14/138 AA
D591,251 S *	4/2009	Laine et al.	D14/138 AA

D597,046 S *	7/2009	Millora	D14/138 AA
D598,885 S *	8/2009	Kangasmaa et al. ..	D14/138 AA
2004/0162118 A1 *	8/2004	Park et al.	455/575.1
2004/0180703 A1 *	9/2004	Kim et al.	455/575.1
2005/0054397 A1 *	3/2005	Kim et al.	455/575.4

OTHER PUBLICATIONS

Samsung B2700 telephone, announced Sep. 2008, [online], [site visited Sep. 16, 2009]. Available from Internet, <URL: <http://www.gsmarena.com>>.*

Samsung A657 telephone, announced Apr. 2009, [online], [site visited Sep. 16, 2009]. Available from Internet, <URL: <http://www.gsmarena.com>>.*

BenQ-Siemens S88 telephone, announced Jan. 2006, [online], [site visited Sep. 16, 2009]. Available from Internet, <URL: <http://www.gsmarena.com>>.*

* cited by examiner

Primary Examiner—Jeffrey D Asch

(74) *Attorney, Agent, or Firm*—Kali Law Group, P.C.

(57) **CLAIM**

The ornamental design for a mobile communication device, as shown.

DESCRIPTION

FIG. 1 is a top view of the mobile communication device showing the new design;

FIG. 2 is a perspective view thereof;

FIG. 3 is a bottom plan view thereof;

FIG. 4 is a left side view thereof;

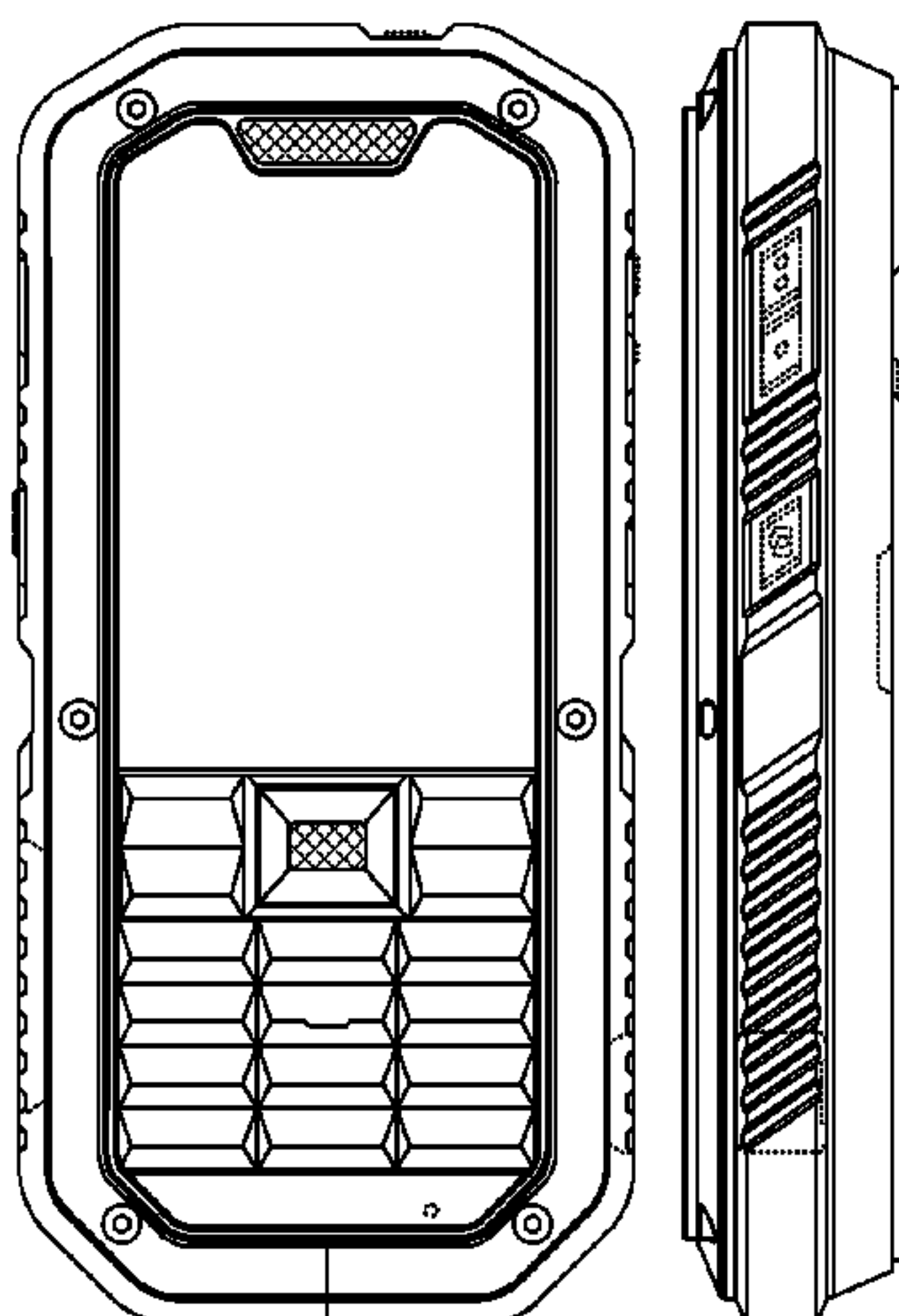
FIG. 5 is a front view thereof;

FIG. 6 is a right side view thereof; and,

FIG. 7 is a back view thereof.

The broken lines shown throughout the views, which are immediately adjacent to the claimed surfaces and encompass regions without claimed features, represent the bounds of the claimed design, while all other broken lines are directed to environment and are for illustrative purposes only; the broken lines form no part of the claimed design.

1 Claim, 2 Drawing Sheets



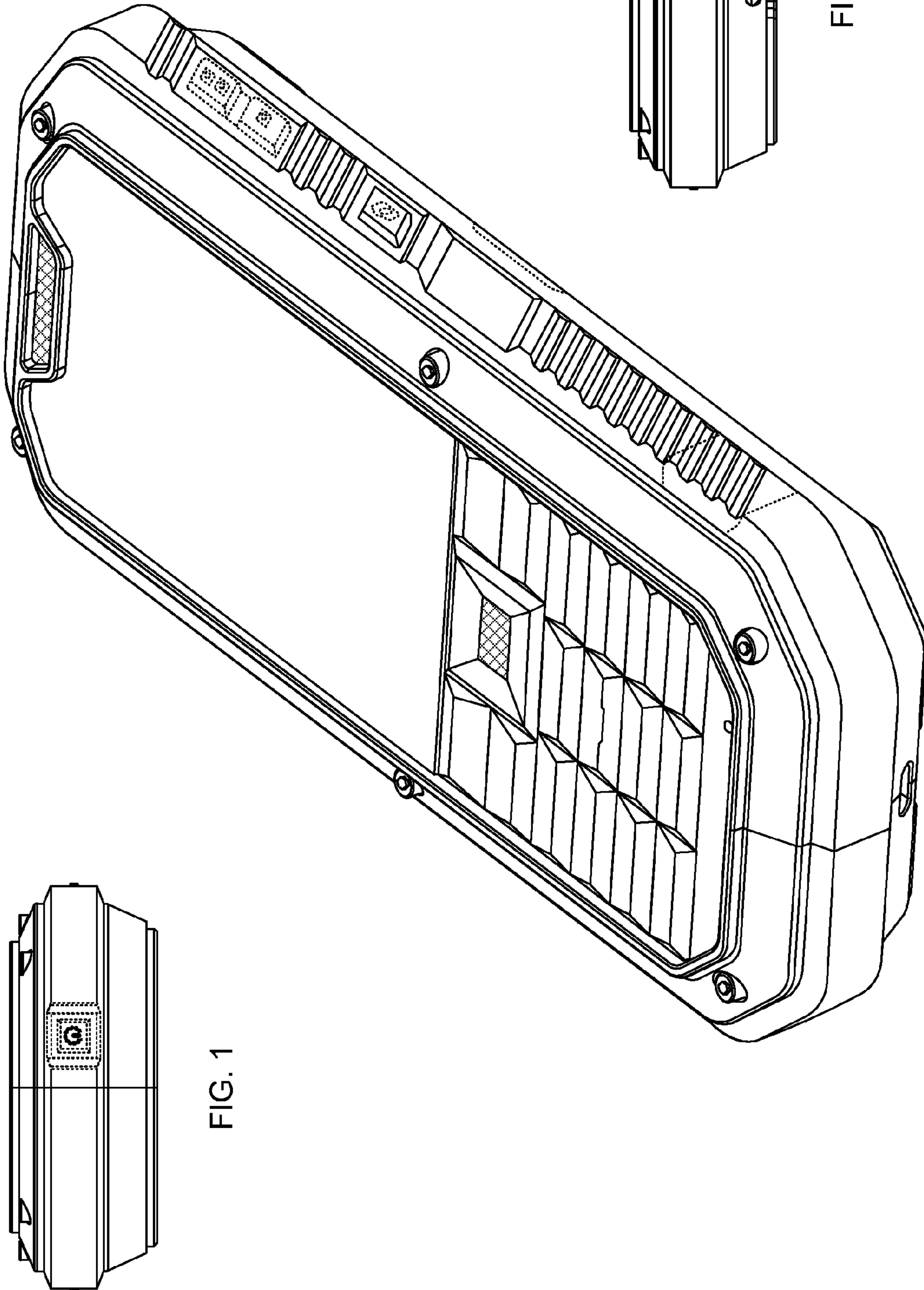


FIG. 1

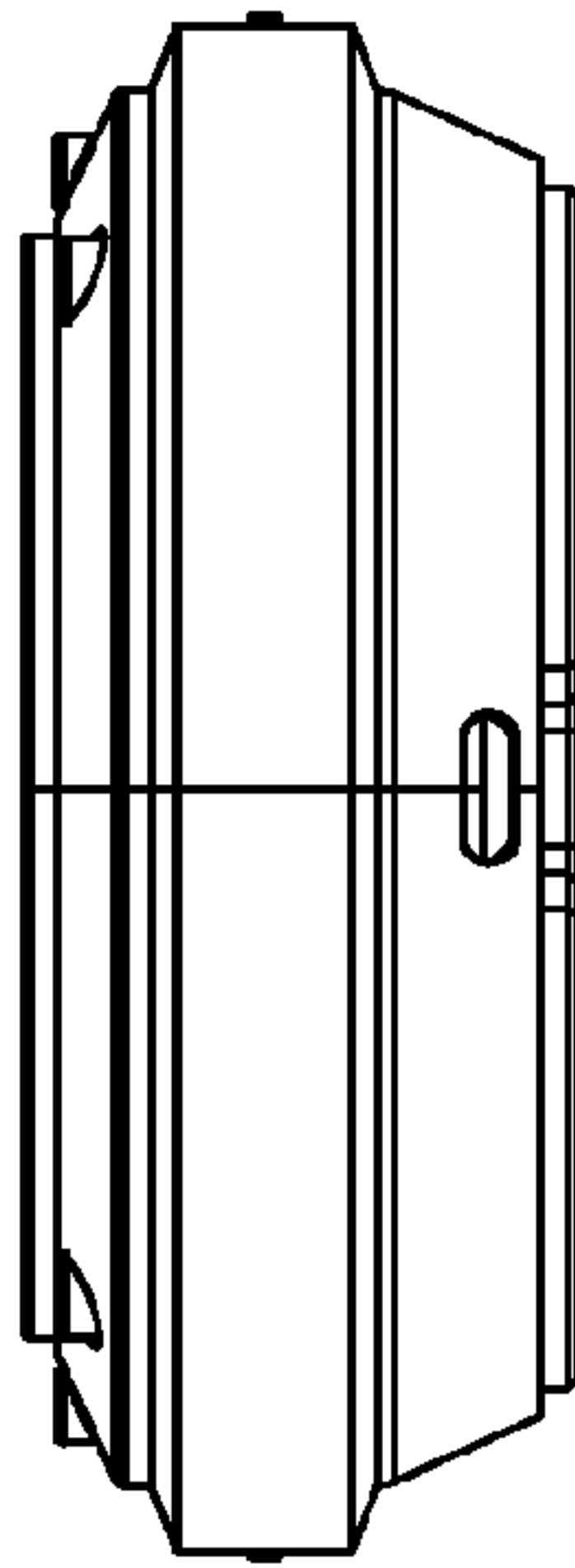
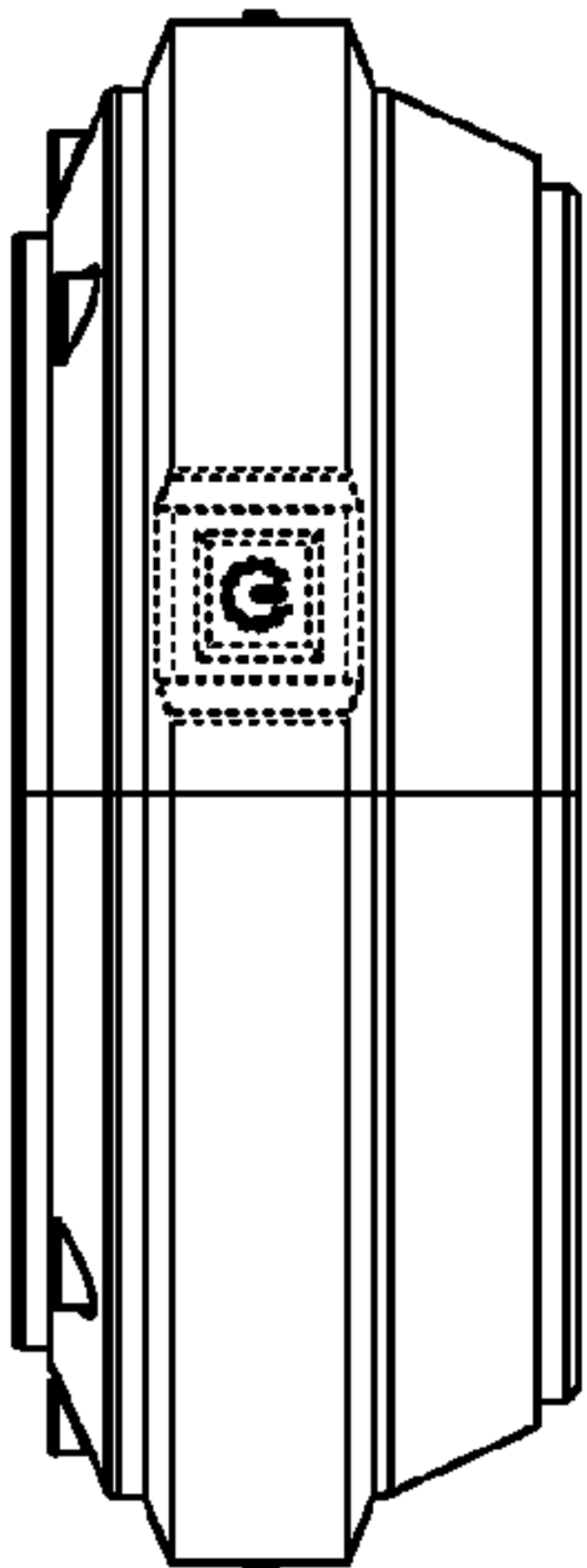


FIG. 3

FIG. 2

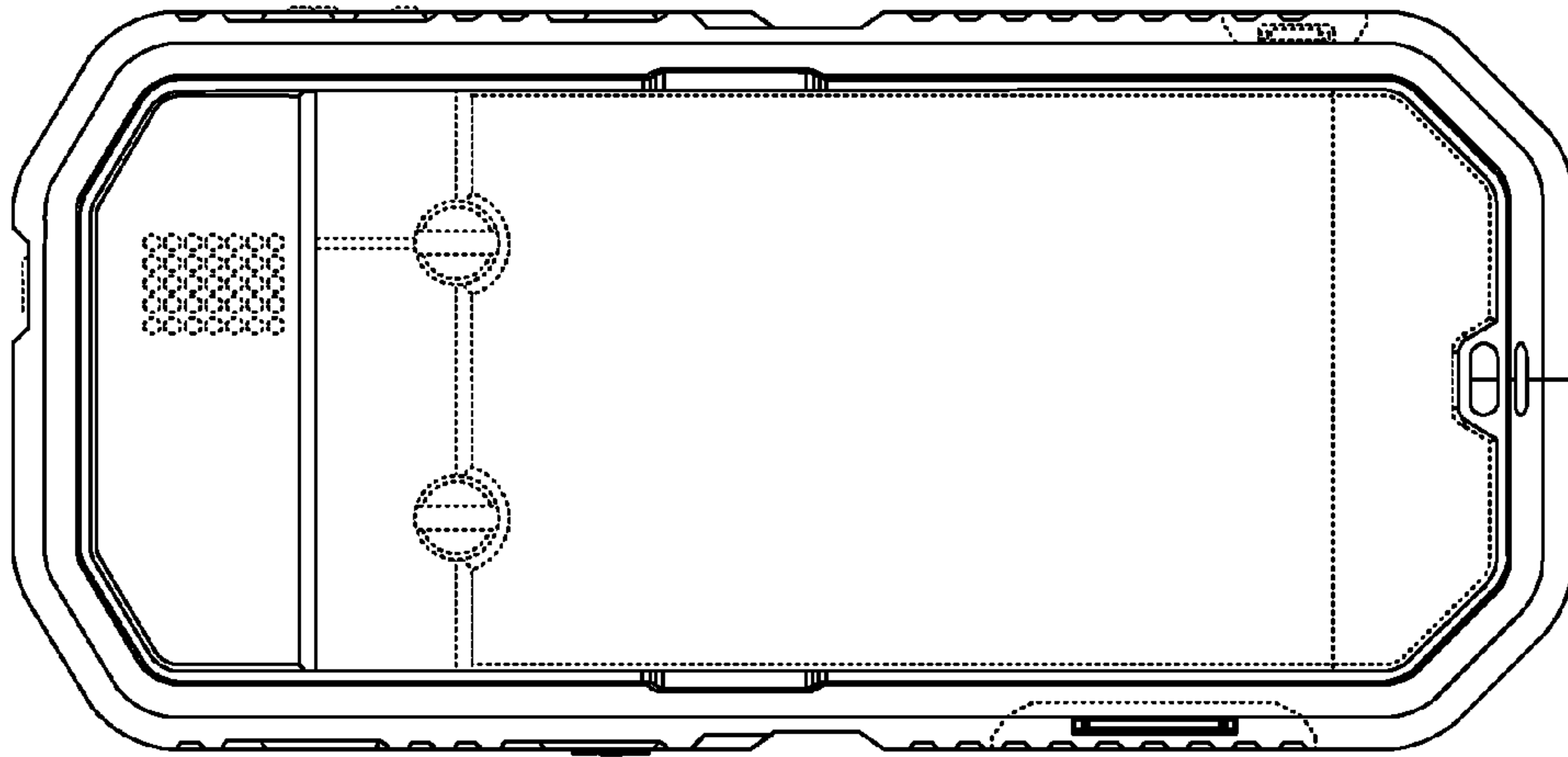


FIG. 7

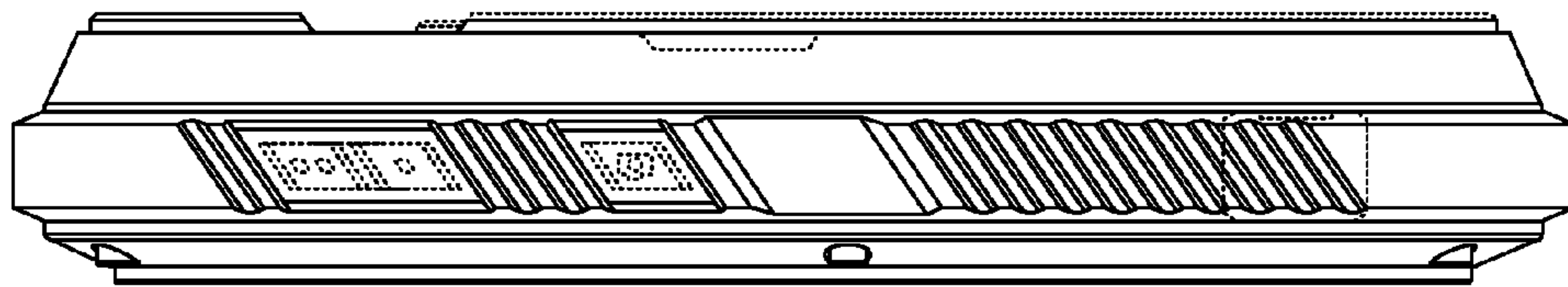


FIG. 6

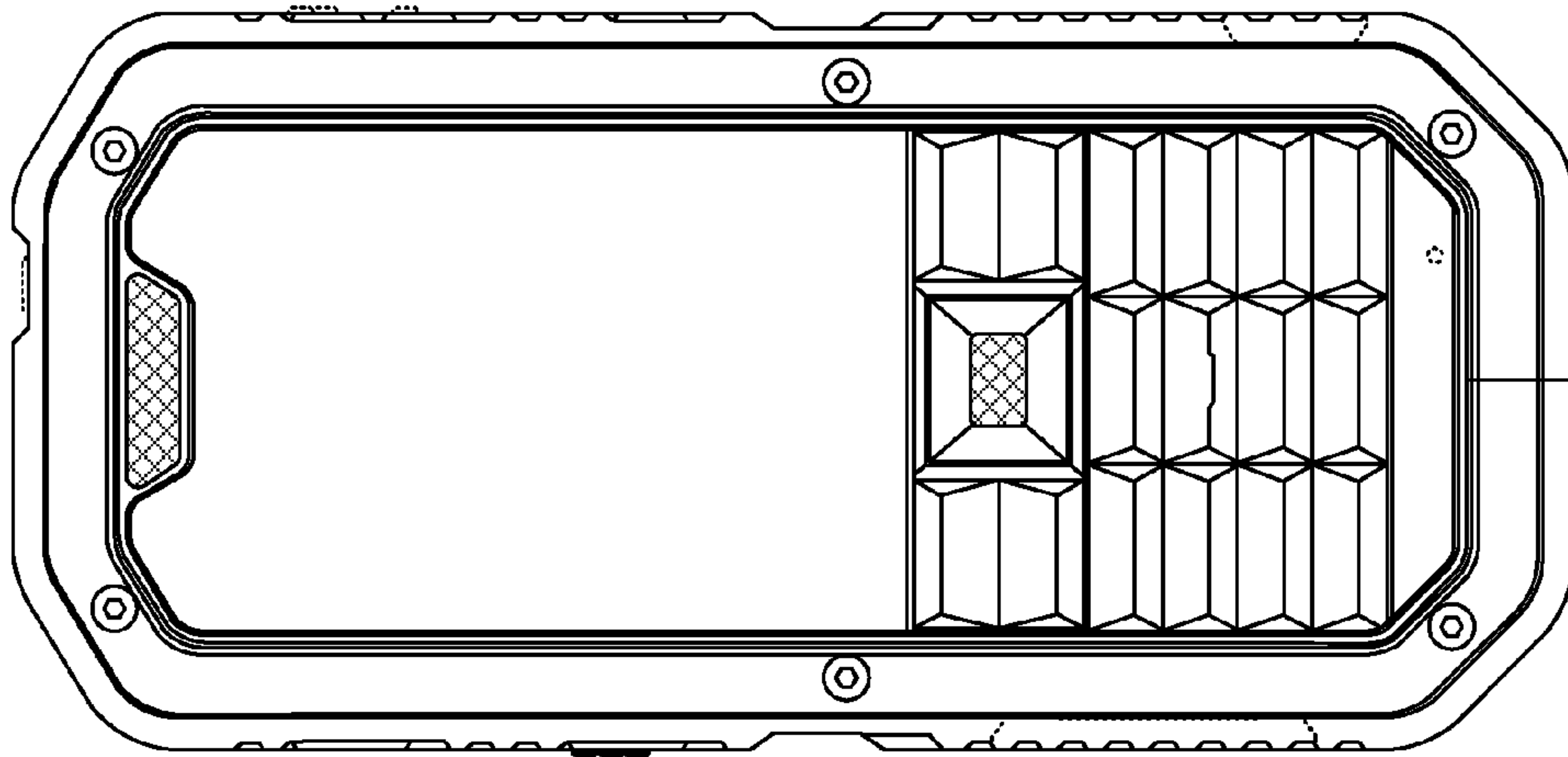


FIG. 5

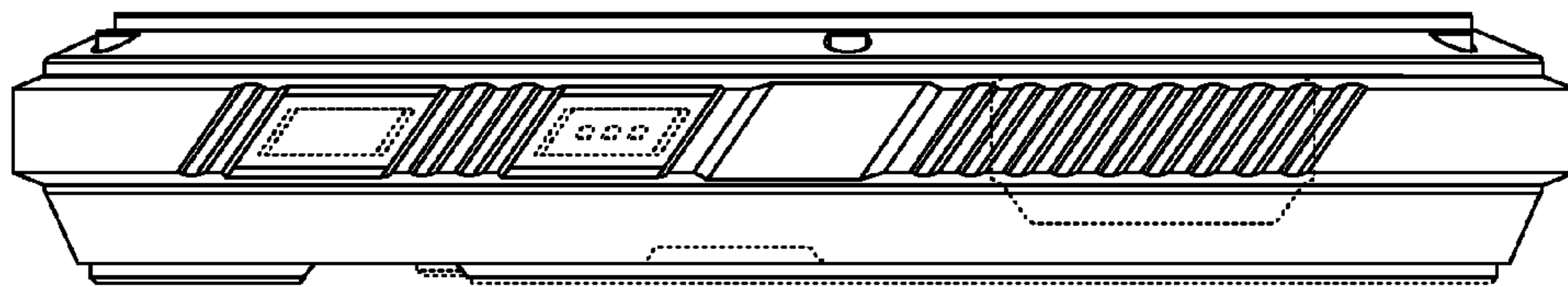


FIG. 4