



US00D611021S

(12) **United States Design Patent**  
**Liu**

(10) **Patent No.:** **US D611,021 S**  
(45) **Date of Patent:** **\*\* Mar. 2, 2010**

(54) **HANDSET**

(75) Inventor: **Hang Liu**, Beijing (CN)

(73) Assignee: **Nokia Corporation**, Espoo (FI)

(\*\*) Term: **14 Years**

(21) Appl. No.: **29/329,979**

(22) Filed: **Dec. 24, 2008**

(51) **LOC (9) Cl.** ..... **14-03**

(52) **U.S. Cl.** ..... **D14/138 AA**

(58) **Field of Classification Search** ..... D14/138 AA,  
D14/138 R, 147, 341, 346, 137, 411; 455/575.1,  
455/90.3, 556.1; 379/433.01, 433.04  
See application file for complete search history.

(56) **References Cited**

**U.S. PATENT DOCUMENTS**

- D432,535 S \* 10/2000 Loh et al. .... D14/345
- D434,739 S \* 12/2000 Hanna et al. .... D14/138 G
- D495,307 S \* 8/2004 Yau et al. .... D14/138 AA
- D502,160 S \* 2/2005 Chen et al. .... D14/138 AA
- D548,216 S \* 8/2007 Pan et al. .... D14/138 AA

(Continued)

**OTHER PUBLICATIONS**

Nokia 6208c telephone, announced Dec. 2008, [online], [site visited Sep. 16, 2009]. Available from Internet , <URL: <http://www.gsmarena.com>>.\*

Nokia 3208c telephone, announced Aug. 2009, [online], [site visited Sep. 16, 2009]. Available from Internet , <URL: <http://www.gsmarena.com>>.\*

Nokia 2730 classic telephone, announced May 2009, [online], [site visited Sep. 16, 2009]. Available from Internet , <URL: <http://www.gsmarena.com>>.\*

(Continued)

*Primary Examiner*—Jeffrey D Asch

(74) *Attorney, Agent, or Firm*—Banner & Witcoff, Ltd.

(57) **CLAIM**

The ornamental design for a handset, as shown and described.

**DESCRIPTION**

FIG. 1 is a front perspective view of a first handset showing my new design;

FIG. 2 is a front view thereof;

FIG. 3 is a rear view thereof;

FIG. 4 is a right side view thereof;

FIG. 5 is a left side view thereof;

FIG. 6 is a top view thereof;

FIG. 7 is a bottom view thereof;

FIG. 8 is a rear perspective view thereof;

FIG. 9 is a front perspective view of a second handset showing my new design;

FIG. 10 is a front view thereof;

FIG. 11 is a rear view thereof;

FIG. 12 is a right side view thereof;

FIG. 13 is a left side view thereof;

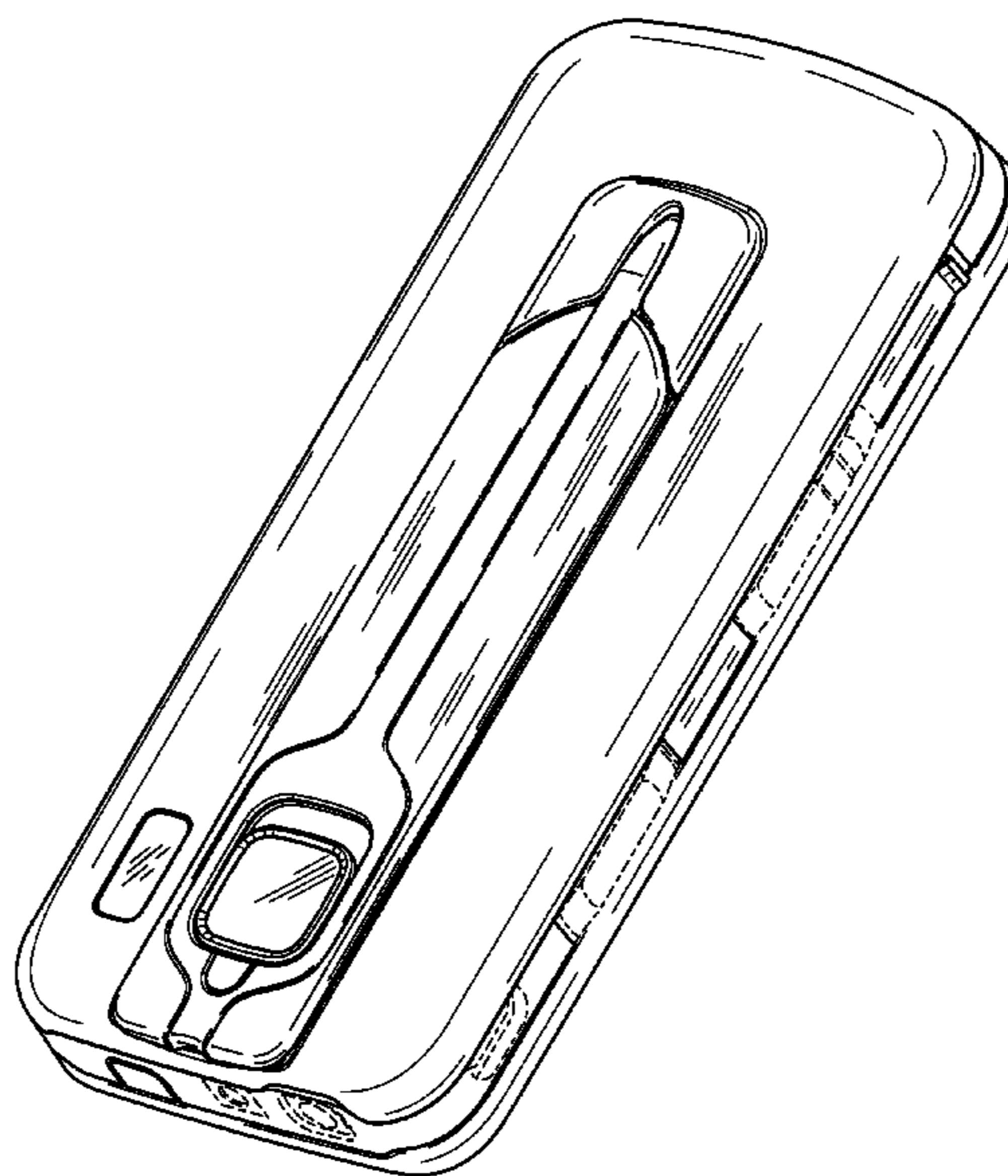
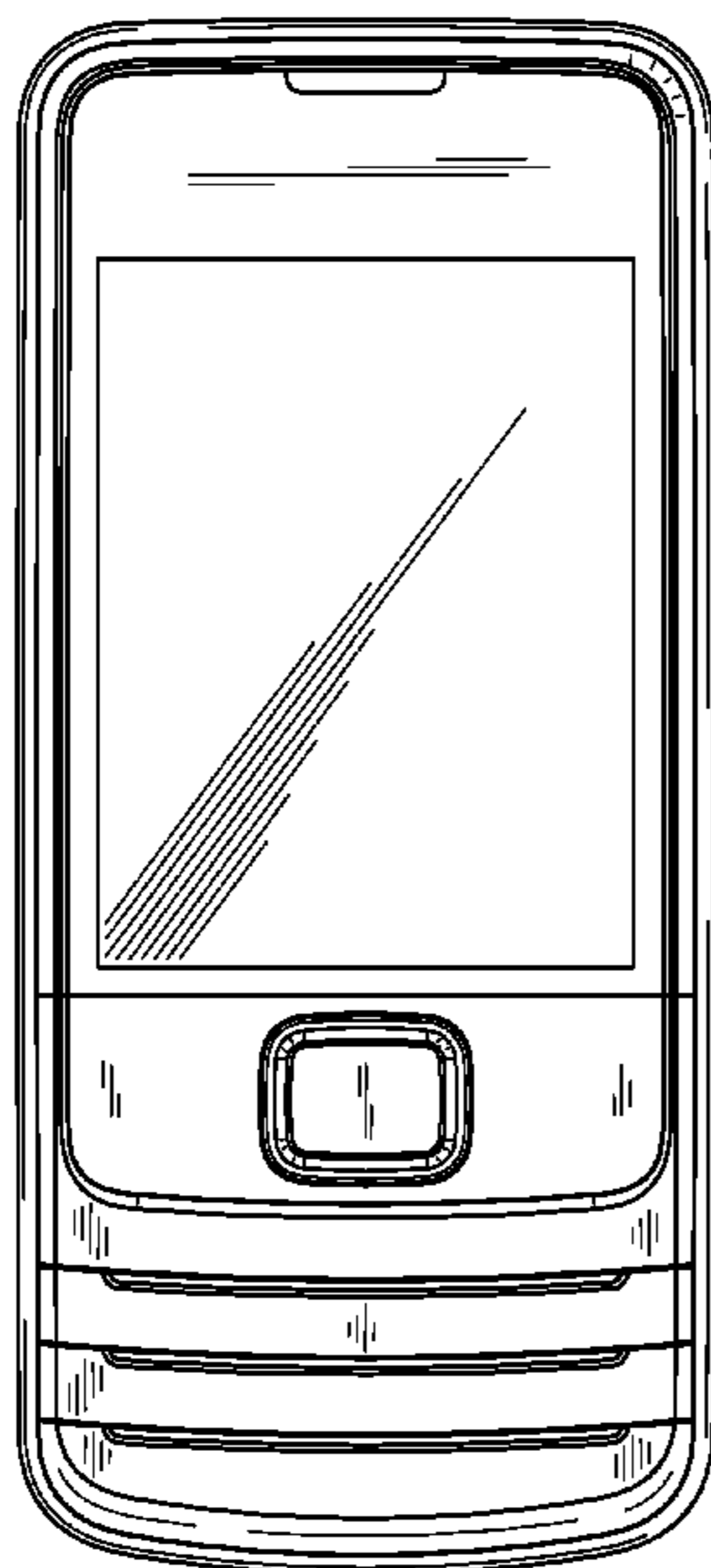
FIG. 14 is a top view thereof;

FIG. 15 is a bottom view thereof; and,

FIG. 16 is a rear perspective view thereof.

The broken lines shown throughout the views that are immediately adjacent to the shaded areas and define unshaded regions, represent the bounds of the claimed design, while any other broken lines are directed to environment and are for illustrative purposes only; the broken lines form no part of the claimed design.

**1 Claim, 12 Drawing Sheets**



# US D611,021 S

Page 2

## U.S. PATENT DOCUMENTS

D560,647 S \* 1/2008 Choi et al. .... D14/138 AA  
D572,698 S \* 7/2008 Kim et al. .... D14/138 AA  
D573,967 S \* 7/2008 Tsai et al. .... D14/138 AA  
D576,583 S \* 9/2008 Miles et al. .... D14/138 AA  
D576,992 S \* 9/2008 Kim et al. .... D14/138 AA  
D579,905 S \* 11/2008 Kim et al. .... D14/138 AD  
D580,902 S \* 11/2008 Bolton et al. .... D14/138 AA  
D584,271 S \* 1/2009 Ko et al. .... D14/138 AA  
D585,862 S 2/2009 Holmung  
D589,925 S \* 4/2009 Shi ..... D14/138 AA  
D591,703 S \* 5/2009 Shi ..... D14/138 AA  
D594,834 S \* 6/2009 Su et al. .... D14/138 AA  
D595,257 S \* 6/2009 Wolfson ..... D14/138 AA  
D595,680 S \* 7/2009 Schellen ..... D14/138 AA  
D597,044 S \* 7/2009 Suk et al. .... D14/138 AA  
D597,047 S \* 7/2009 Jung et al. .... D14/138 AA  
D597,050 S \* 7/2009 Kim et al. .... D14/138 AA

D597,510 S \* 8/2009 Anderson ..... D14/138 AA  
D597,540 S \* 8/2009 Schellen ..... D14/248  
D598,413 S \* 8/2009 Chen ..... D14/138 AA

## OTHER PUBLICATIONS

Philips C600 telephone, announced Jun. 2009, [online], [site visited Sep. 16, 2009]. Available from Internet , <URL: <http://www.gsmarena.com>>.\*

Sharp GX18 telephone, announced Mar. 2008, [online], [site visited Sep. 16, 2009]. Available from Internet , <URL: <http://www.gsmarena.com>>.\*

BenQ T60 telephone, announced Mar. 2008, [online], [site visited Sep. 16, 2009]. Available from Internet , <URL: <http://www.gsmarena.com>>.\*

Nokia N78 telephone, announced Feb. 2008, [online], [site visited Sep. 16, 2009]. Available from Internet , <URL: <http://www.gsmarena.com>>.\*

\* cited by examiner



FIG. 1

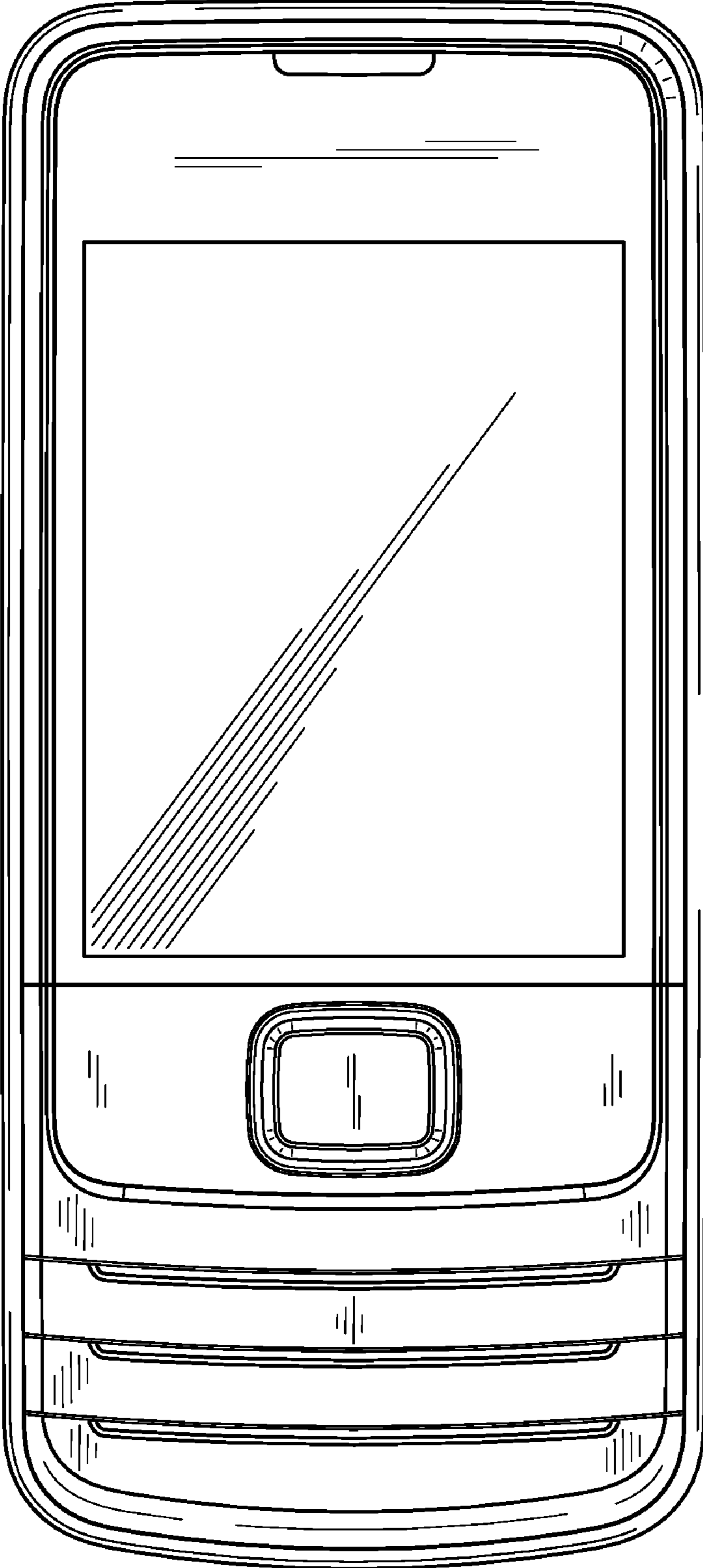


FIG. 2

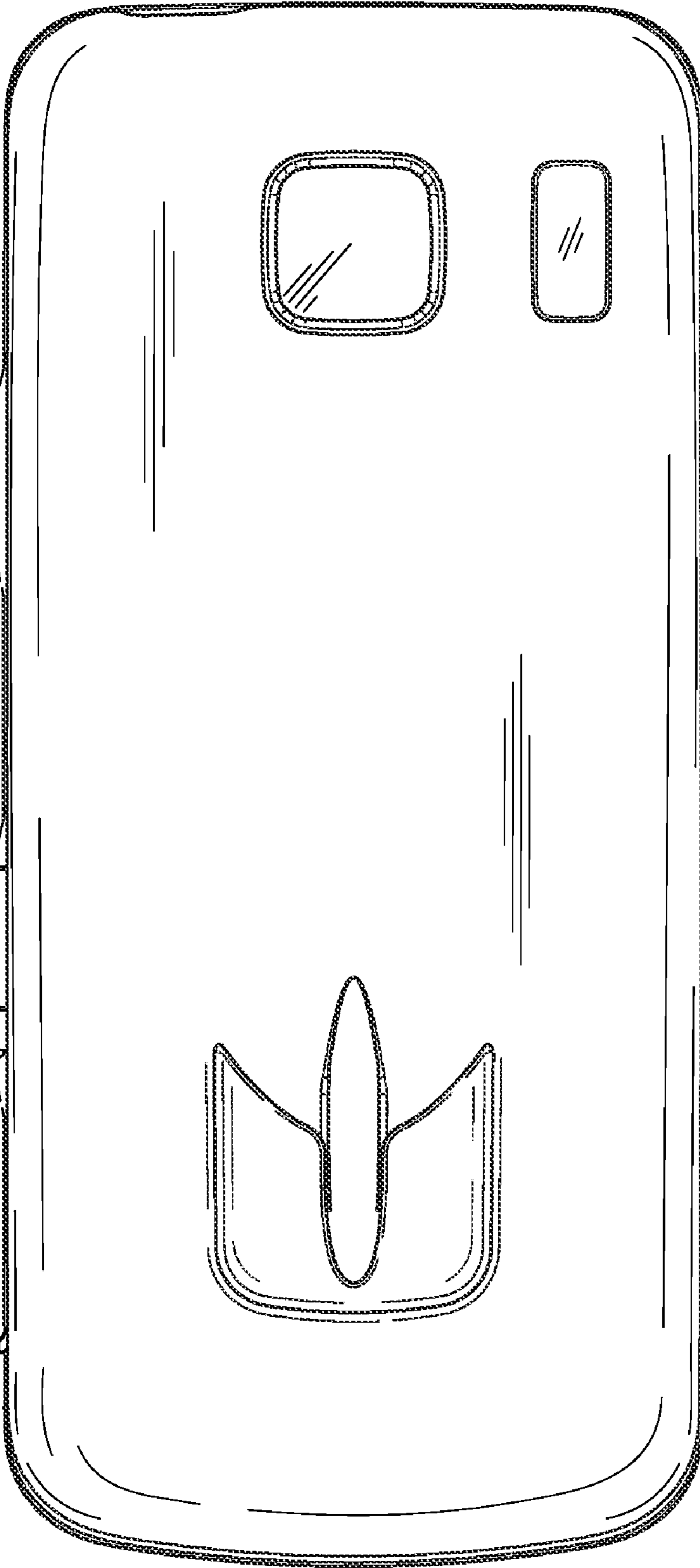


FIG. 3

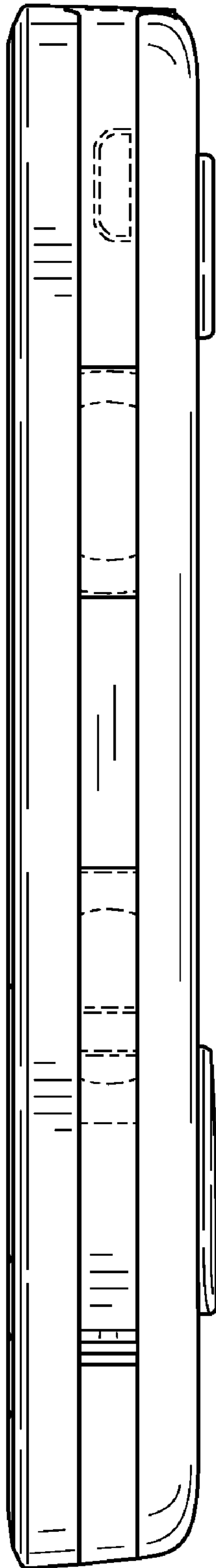


FIG. 4

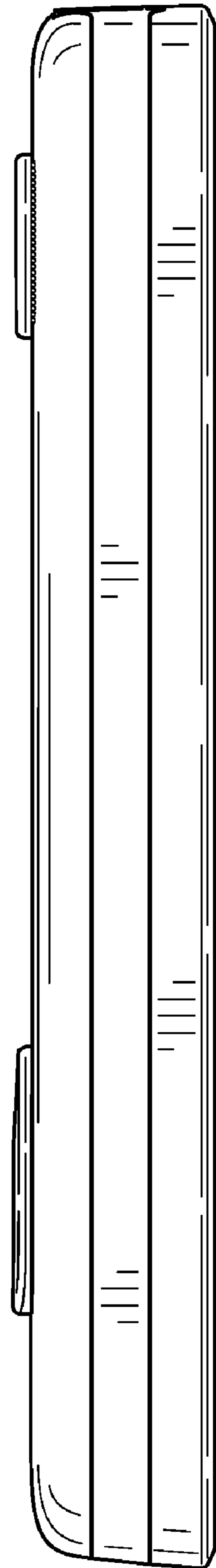
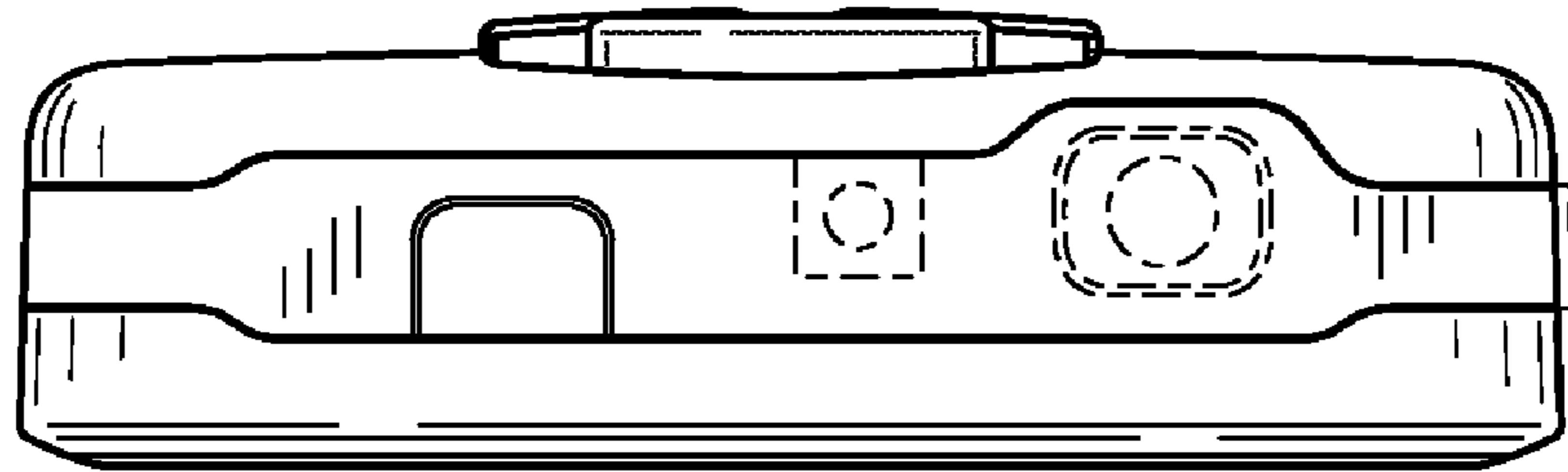
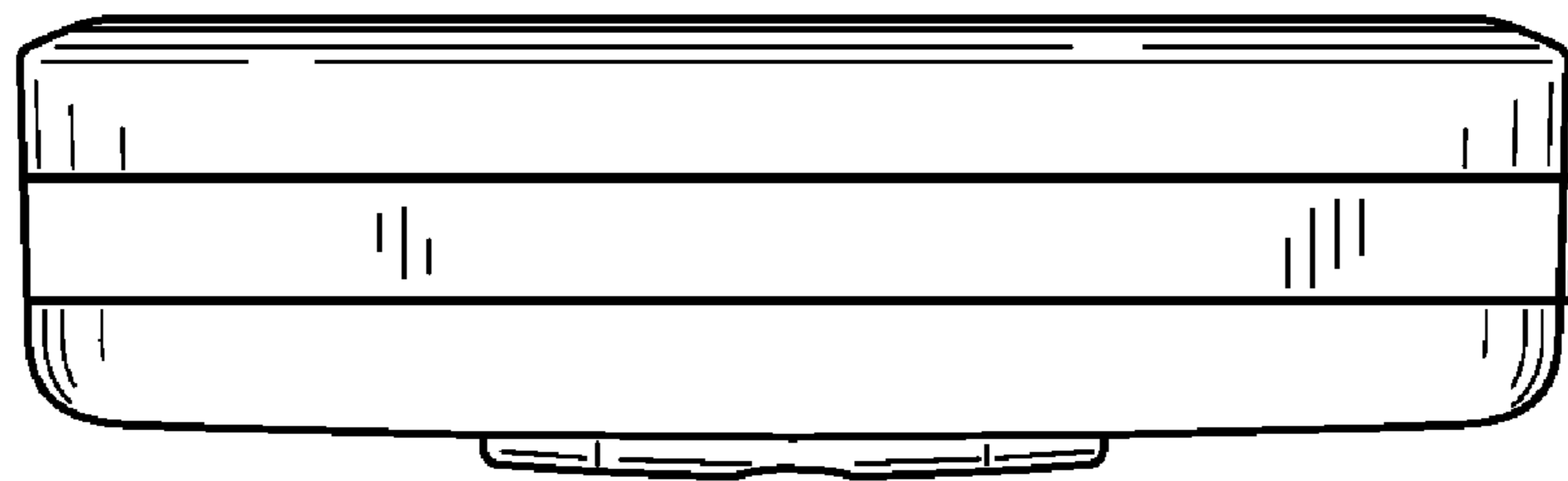


FIG. 5



**FIG. 6**



**FIG. 7**



FIG. 8



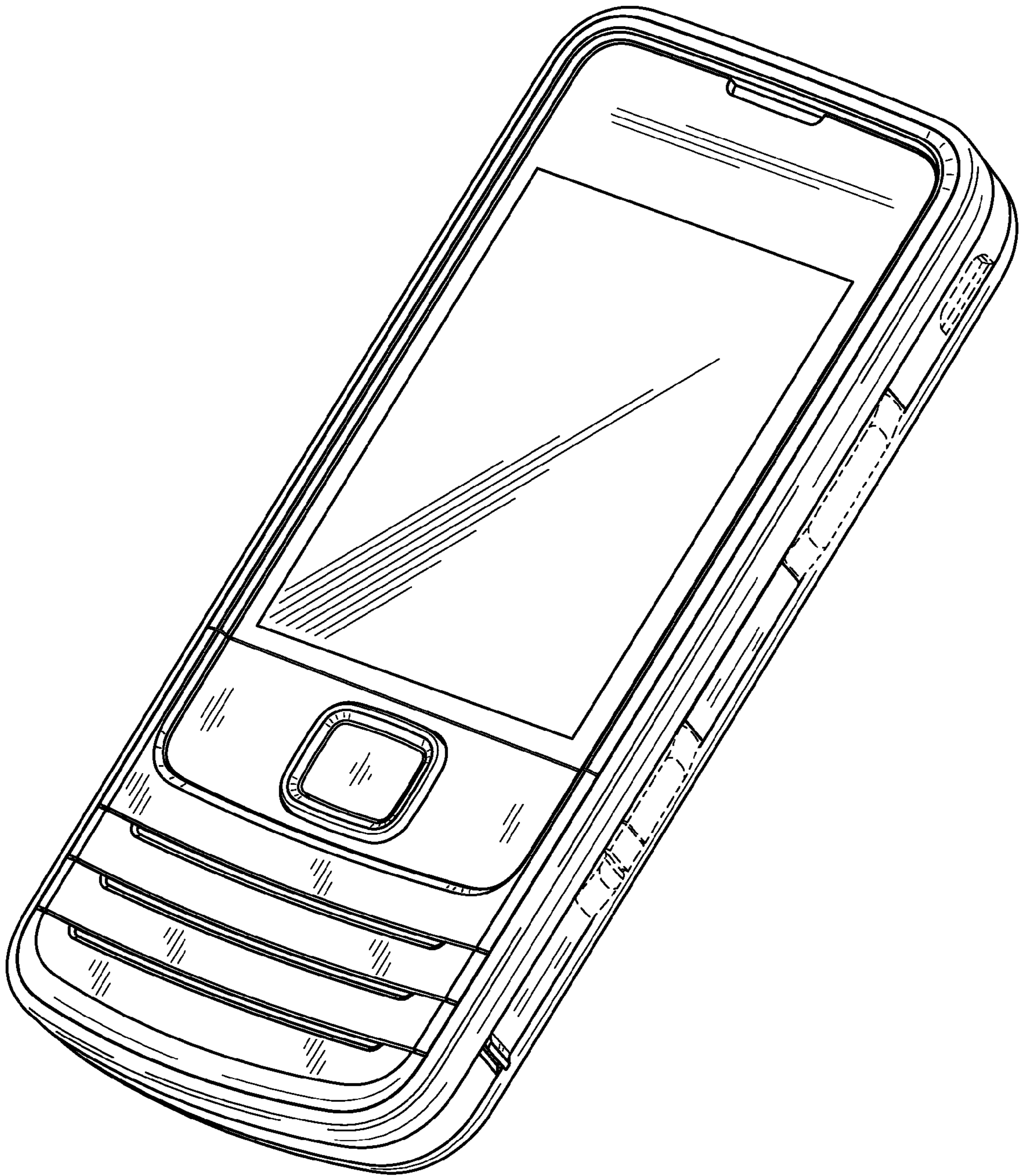


FIG. 9

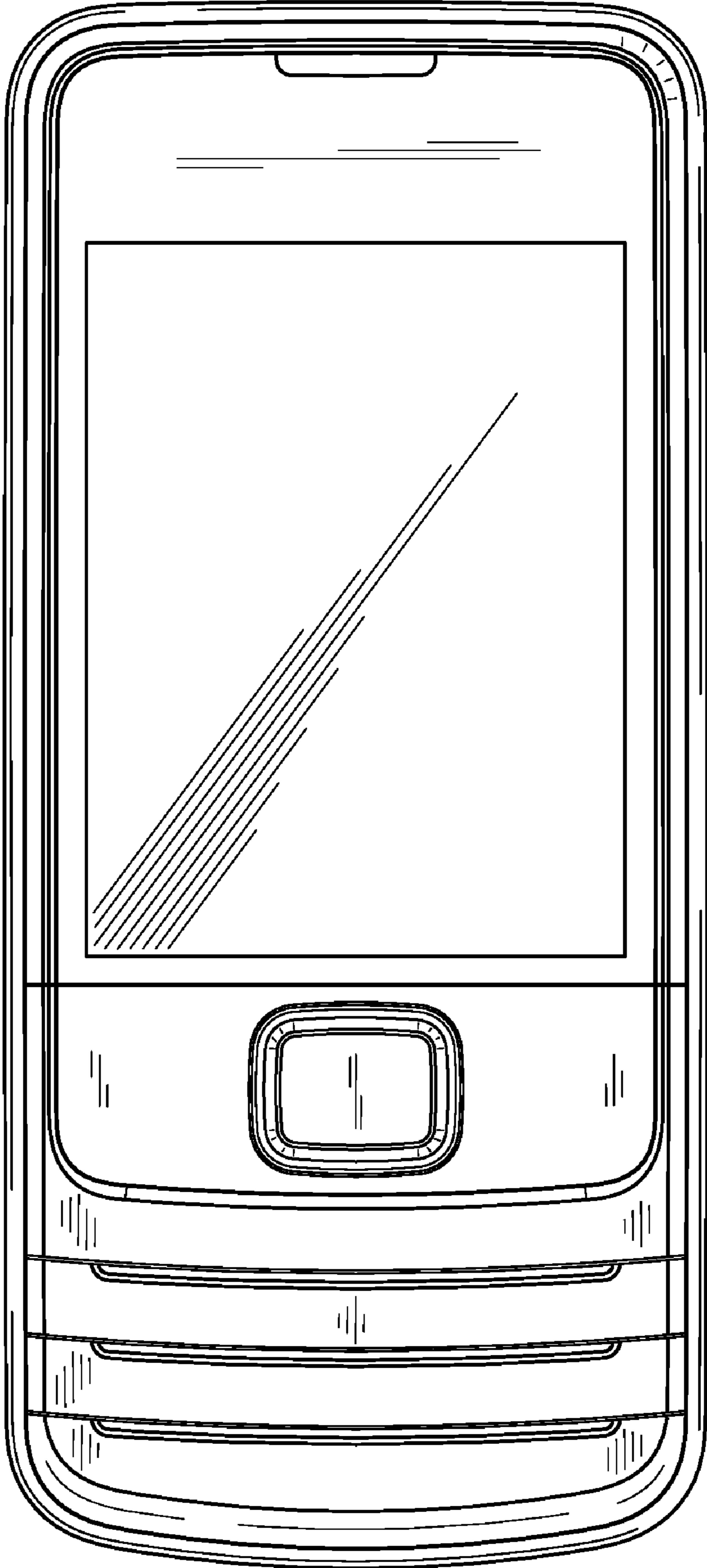


FIG. 10

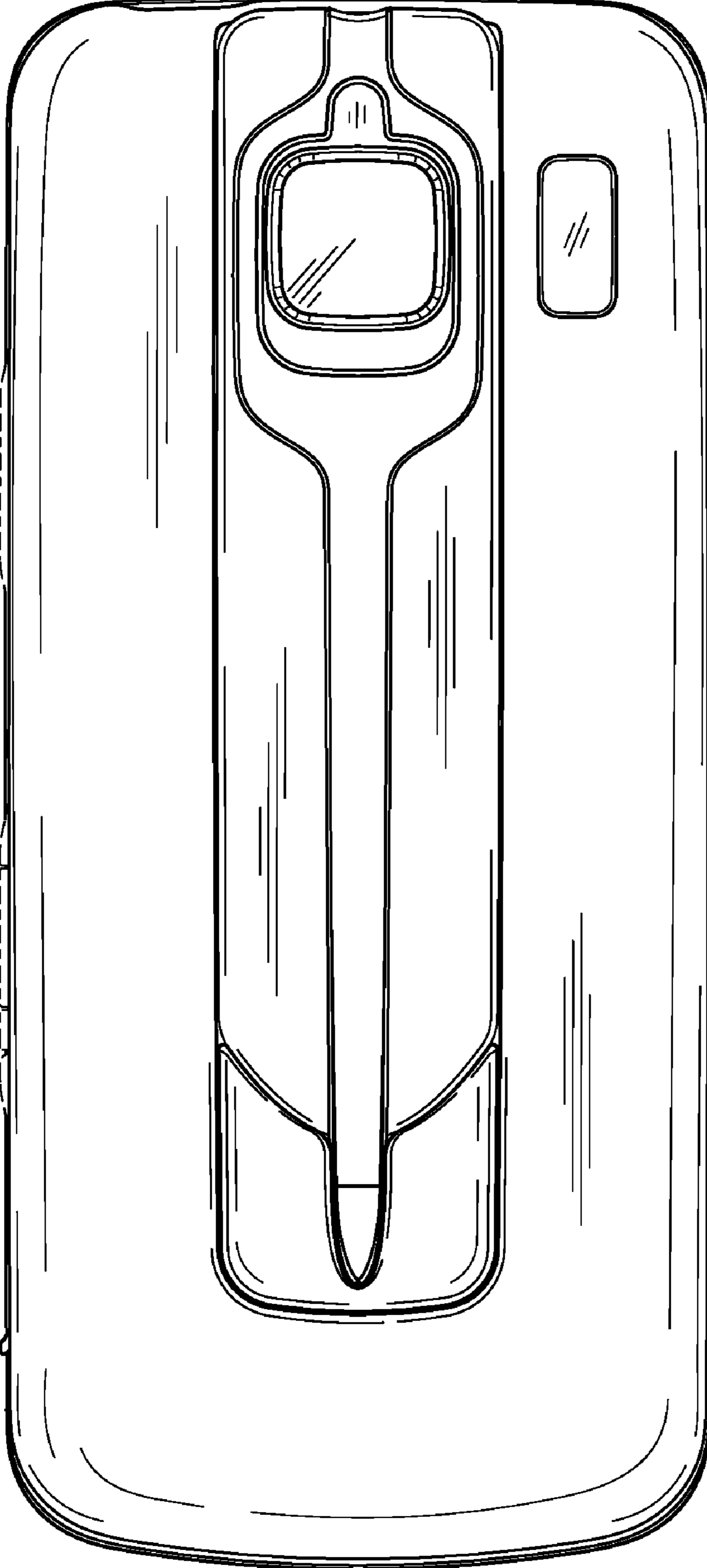


FIG. 11

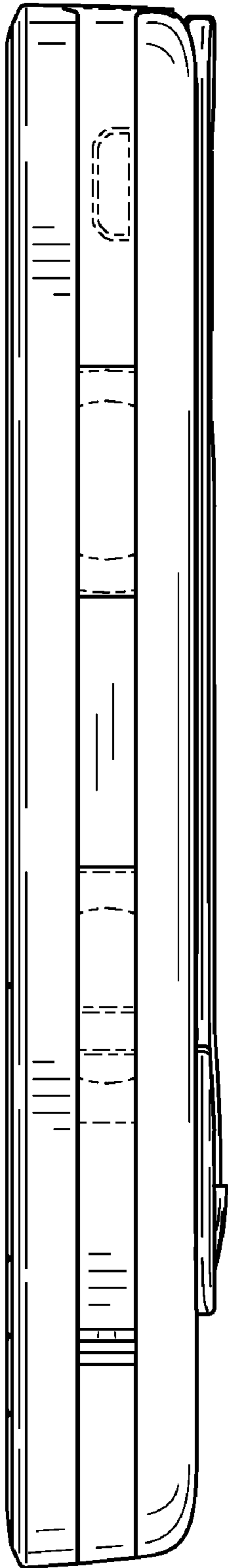


FIG. 12

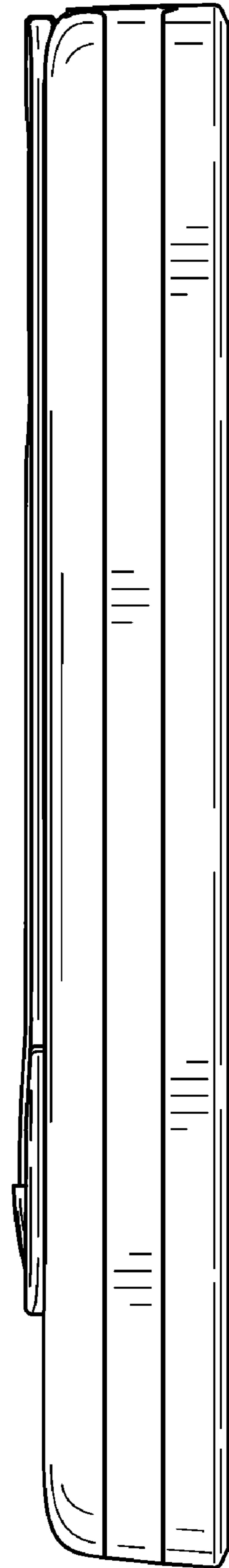


FIG. 13

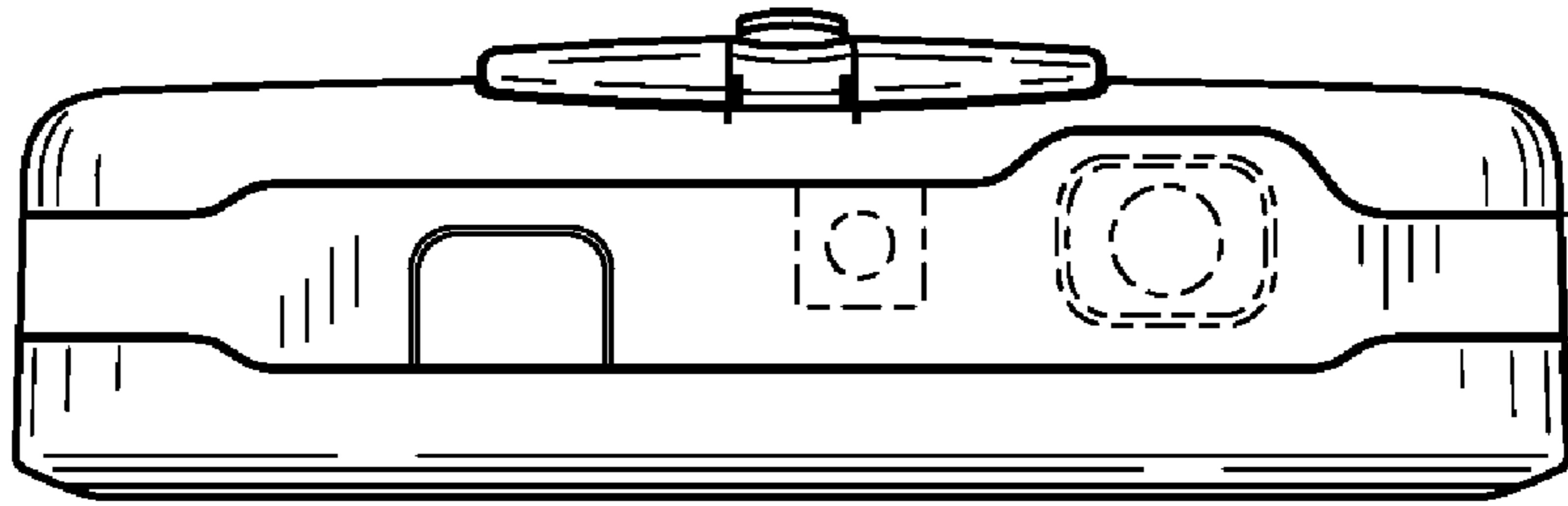


FIG. 14

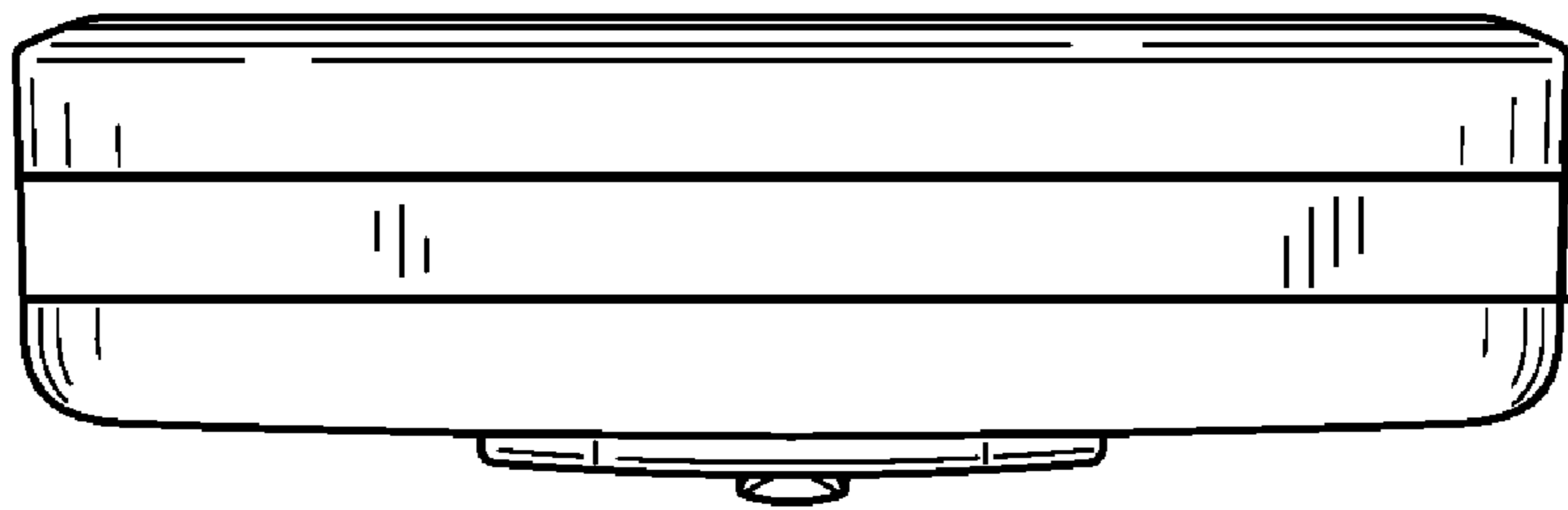


FIG. 15

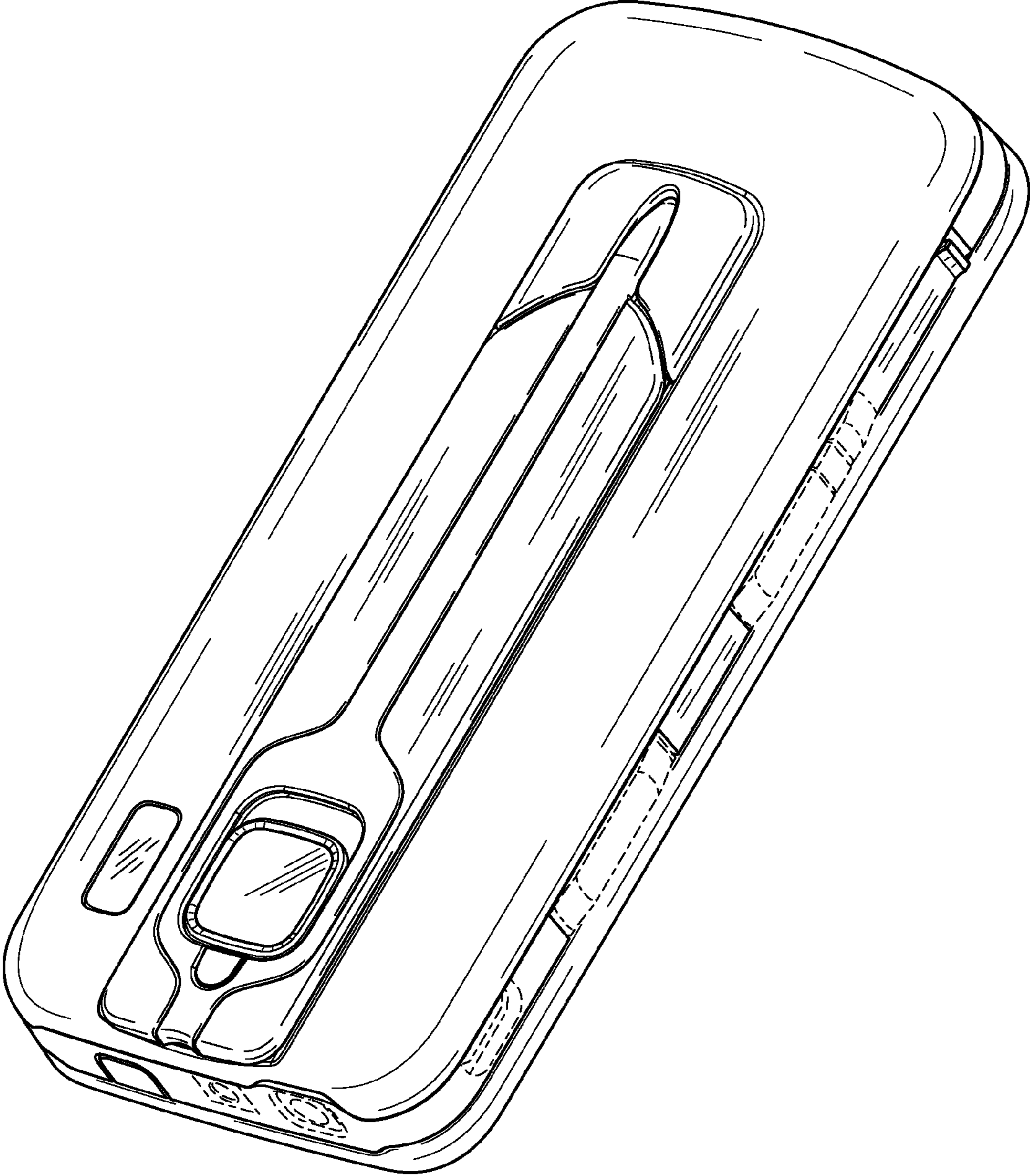


FIG. 16