



US00D611016S

(12) **United States Design Patent**
Daniel et al.

(10) **Patent No.:** **US D611,016 S**
(45) **Date of Patent:** **** Mar. 2, 2010**

(54) **APPARATUS FOR IMPROVING IN-GAME COMMUNICATIONS DURING A GAME**

Primary Examiner—Raphael Barkai
(74) *Attorney, Agent, or Firm*—Carol N. Green, Esq.

(76) Inventors: **Isaac S. Daniel**, 200 S. Biscayne Blvd., Suite 3650, Miami, FL (US) 33131;
Michael Stibila, 200 S. Biscayne Blvd., Suite 3650, Miami, FL (US) 33131

(57) **CLAIM**

The ornamental design for an apparatus for improving in-game communications during a game, as shown and described.

(**) Term: **14 Years**

(21) Appl. No.: **29/313,647**

(22) Filed: **Jan. 29, 2009**

(51) **LOC (9) Cl.** **14-03**

(52) **U.S. Cl.** **D14/132**

(58) **Field of Classification Search** D14/125–134,
D14/239, 371, 136, 374–377, 440, 450, 448,
D14/336, 342; 312/7.2; 348/836, 838, 180,
348/184, 325, 739; 341/12; 248/917–924,
248/465; 345/104, 133, 156, 168, 87, 173;
720/605, 669, 600, 655; 369/99, 197; 455/344,
455/347; D21/329, 515, 577, 622, 333, 433,
D21/448, 452, 450, 331; D6/477, 479, 300;
273/148 B; 446/484, 175, 356; D10/15,
D10/26

See application file for complete search history.

(56) **References Cited**

U.S. PATENT DOCUMENTS

4,918,632	A *	4/1990	York	361/679.09
5,109,354	A *	4/1992	Yamashita et al.	708/110
D430,117	S *	8/2000	Sachs et al.	D14/345
D449,606	S *	10/2001	Lee et al.	D14/345
D473,559	S *	4/2003	Borsboom et al.	D14/375
D496,662	S *	9/2004	Borsboom	D14/371
D513,500	S *	1/2006	Chen	D14/129
D524,768	S *	7/2006	Reza et al.	D14/126
D526,974	S *	8/2006	Reza et al.	D14/126
D542,248	S *	5/2007	Reza et al.	D14/132
D555,118	S *	11/2007	Wilson	D14/126
D589,014	S *	3/2009	Zhan	D14/132

* cited by examiner

DESCRIPTION

FIG. 1 is a front perspective view of the invention in the open position.

FIG. 2 is a front perspective view of the invention in the closed position.

FIG. 3 is a back perspective view of the invention in the open position.

FIG. 4 is a back perspective view of the invention in the closed position.

FIG. 5 is a top plan view of the invention in the open position.

FIG. 6 is a top plan view of the invention in the closed position.

FIG. 7 is a bottom plan view of the invention in the open position.

FIG. 8 is a bottom plan view of the invention in the closed position.

FIG. 9 is a front plan view of the invention in the open position.

FIG. 10 is a front plan view of the invention in the closed position.

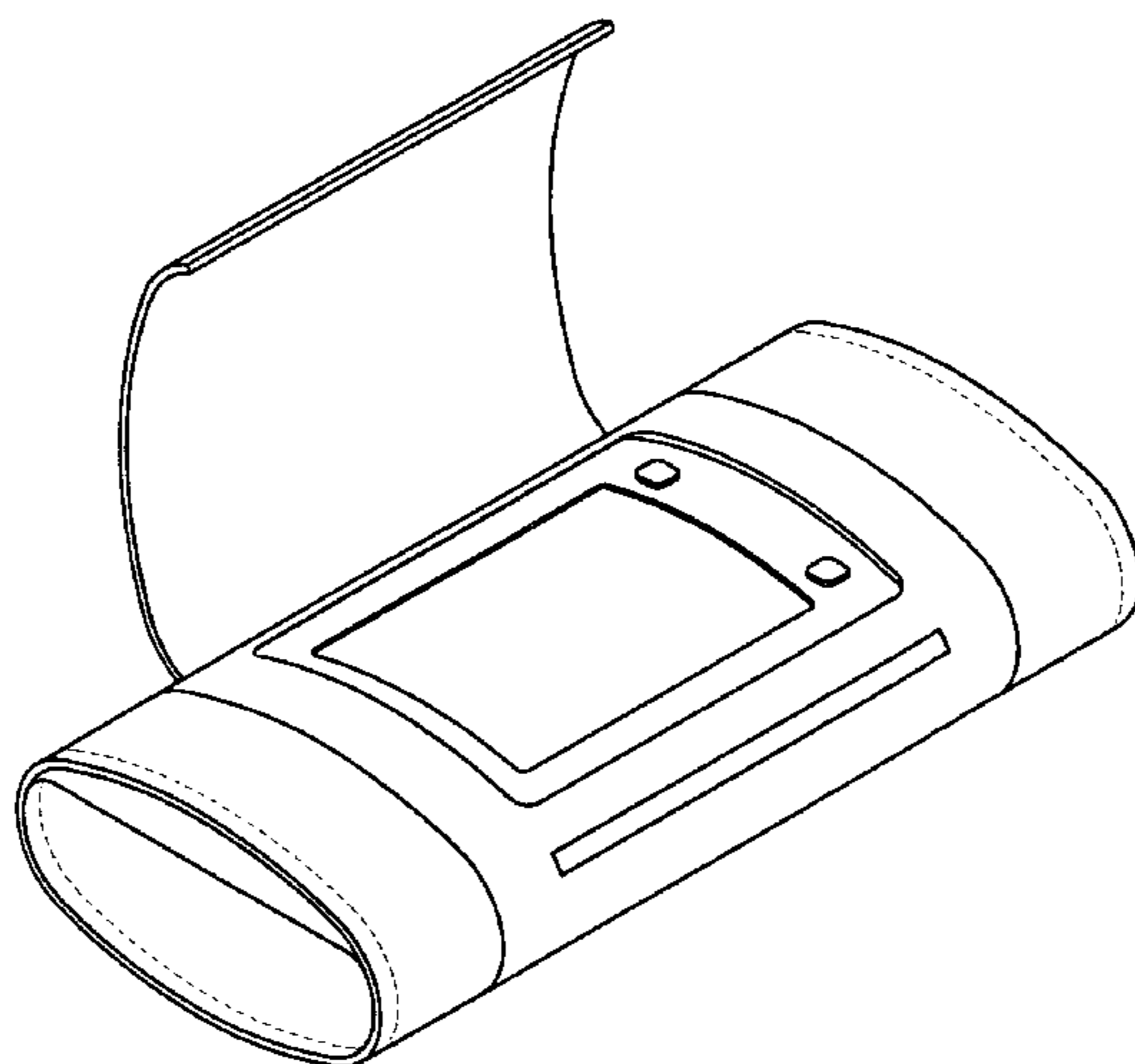
FIG. 11 is a rear plan view of the invention in the open position.

FIG. 12 is a rear plan view of the invention in the closed position.

FIG. 13 is a side plan view of the invention in the open position; and,

FIG. 14 is a side plan view of the invention in the open position.

1 Claim, 7 Drawing Sheets



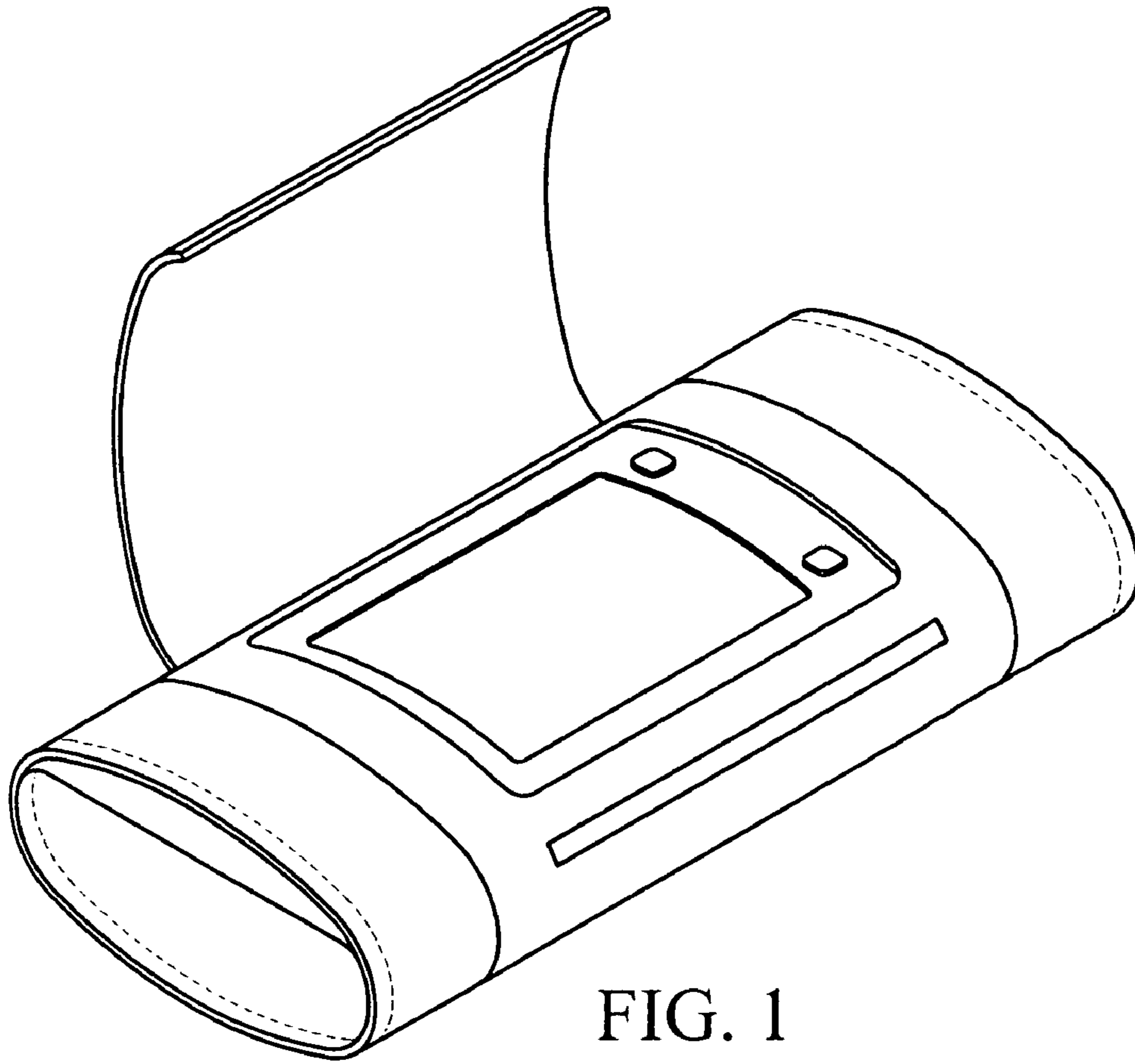


FIG. 1

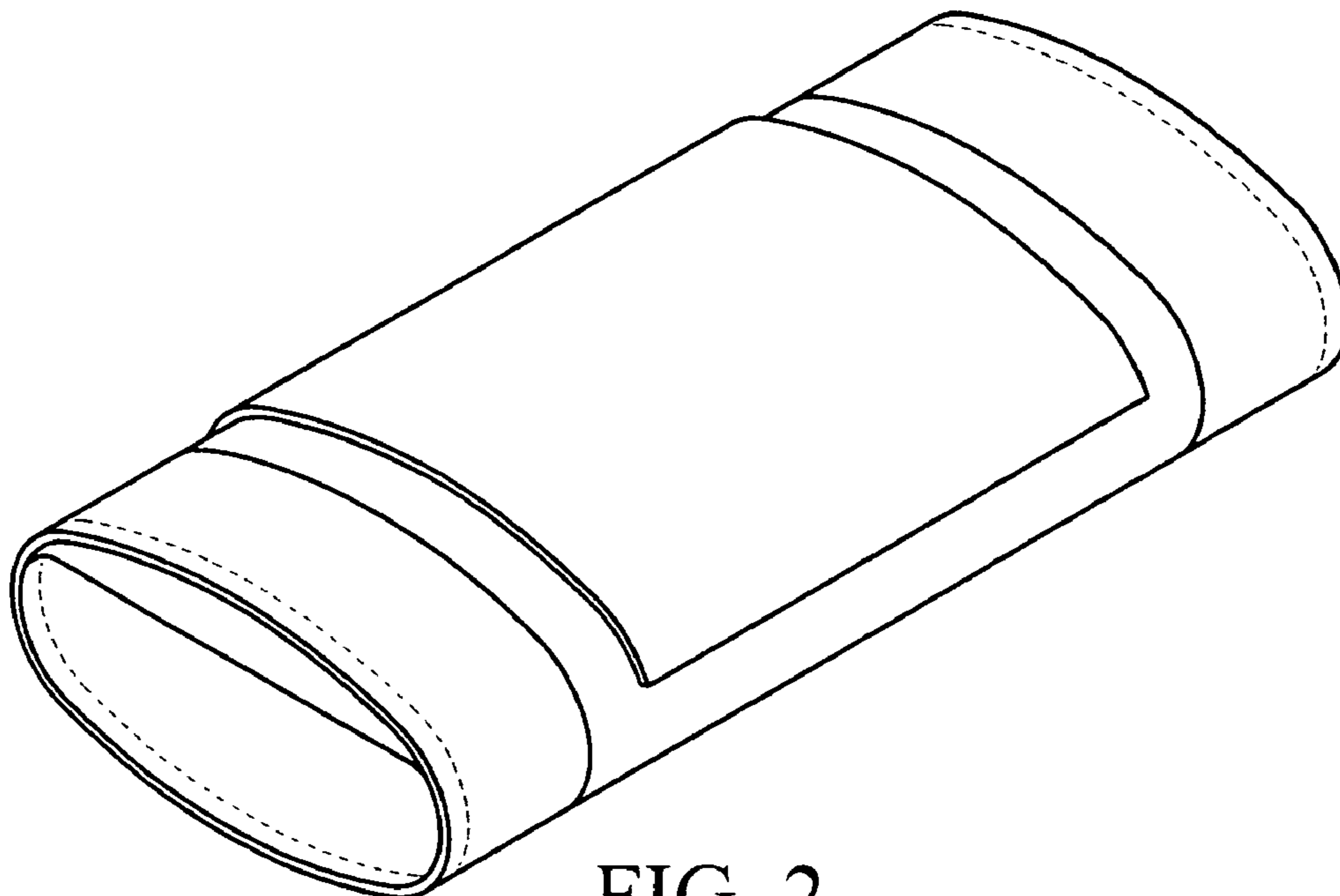


FIG. 2

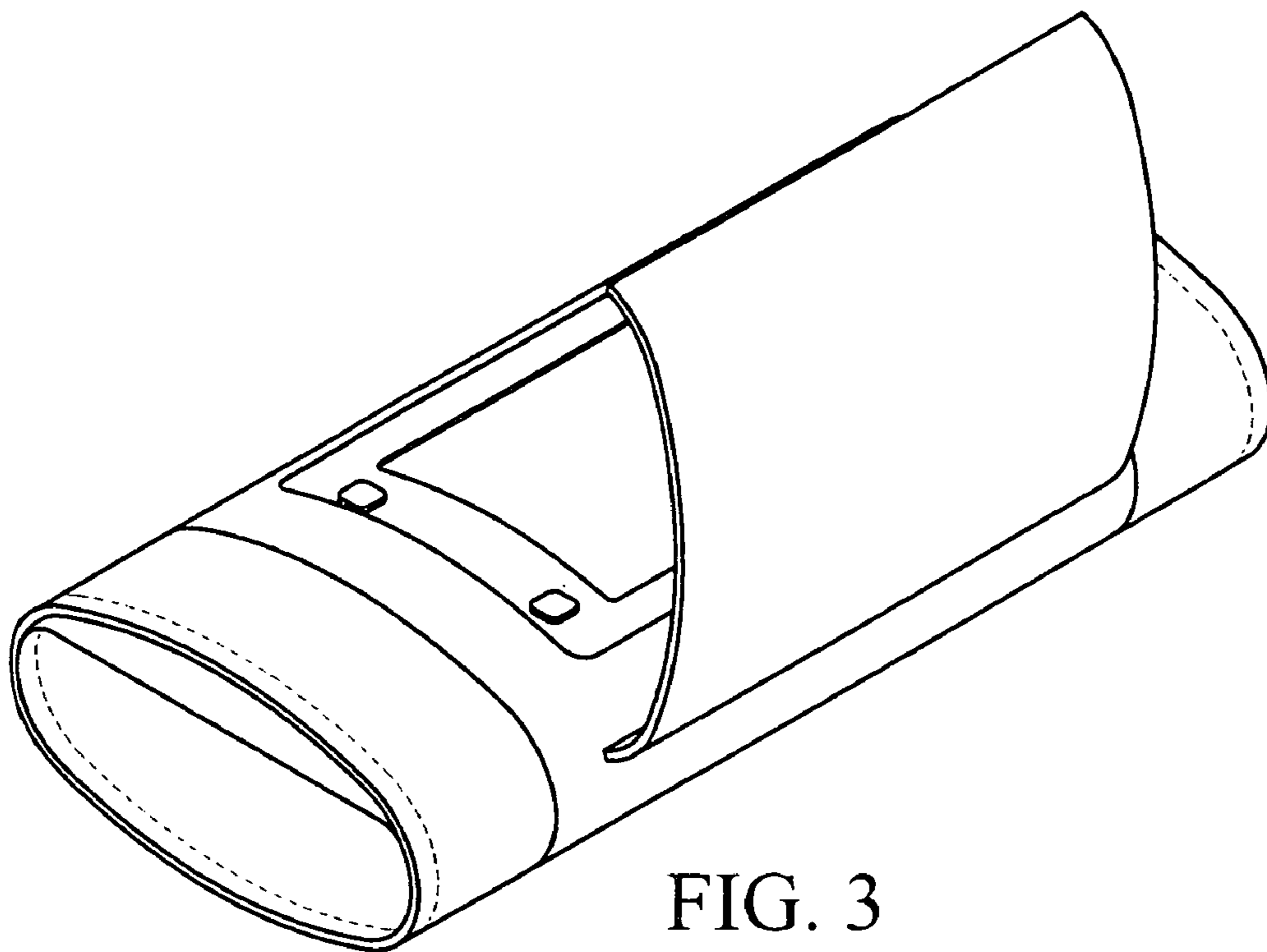


FIG. 3

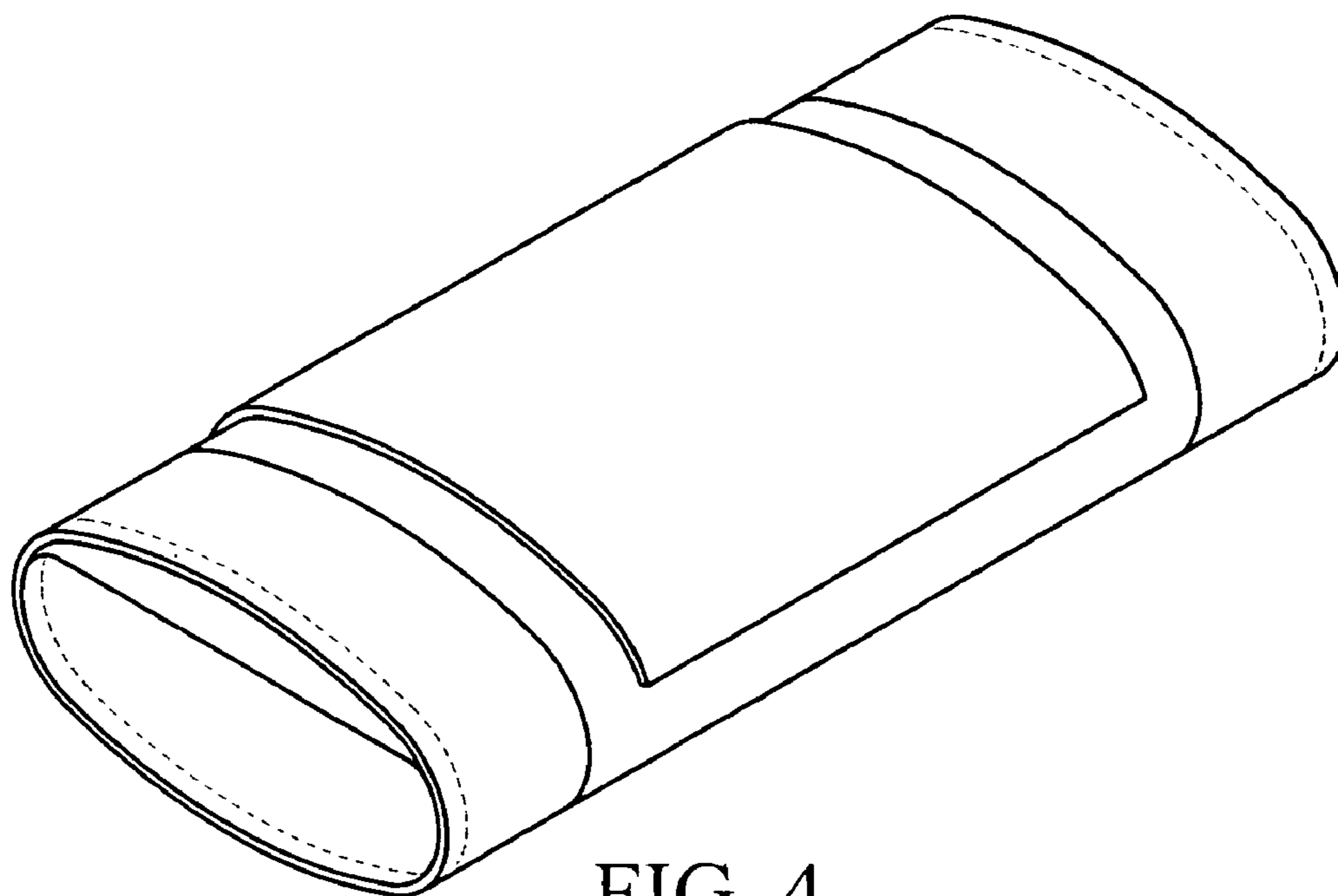


FIG. 4

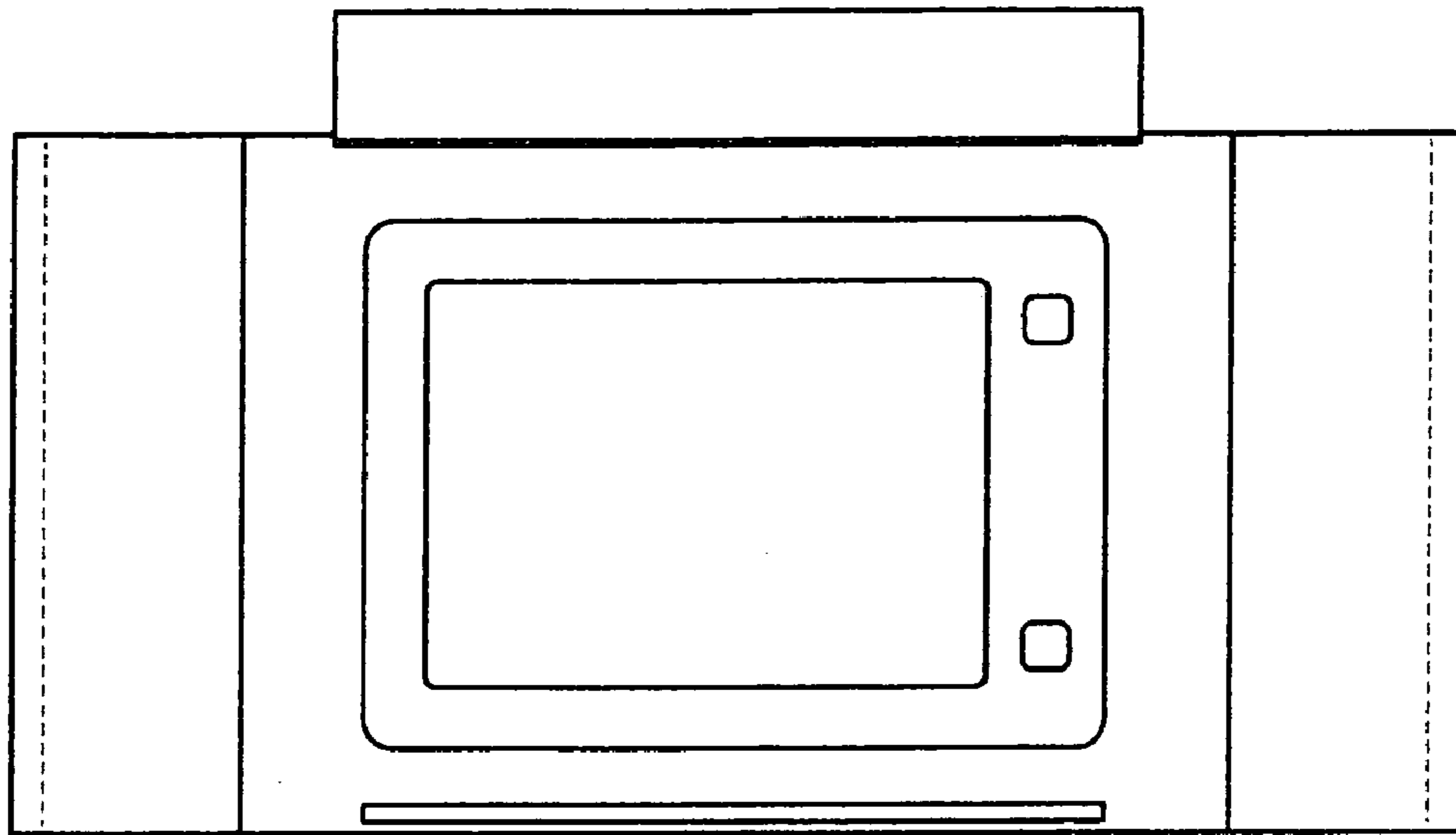


FIG. 5

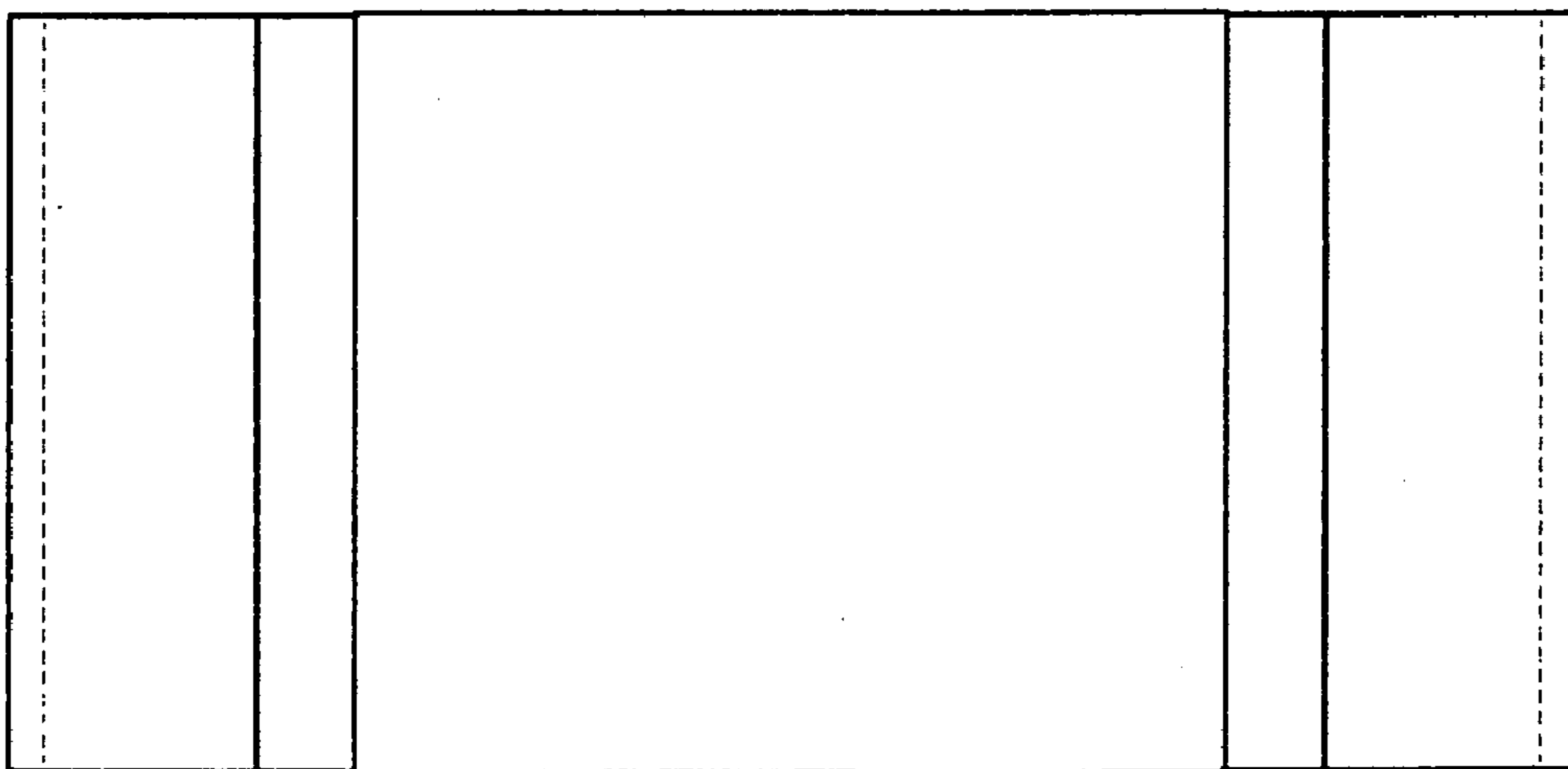


FIG. 6

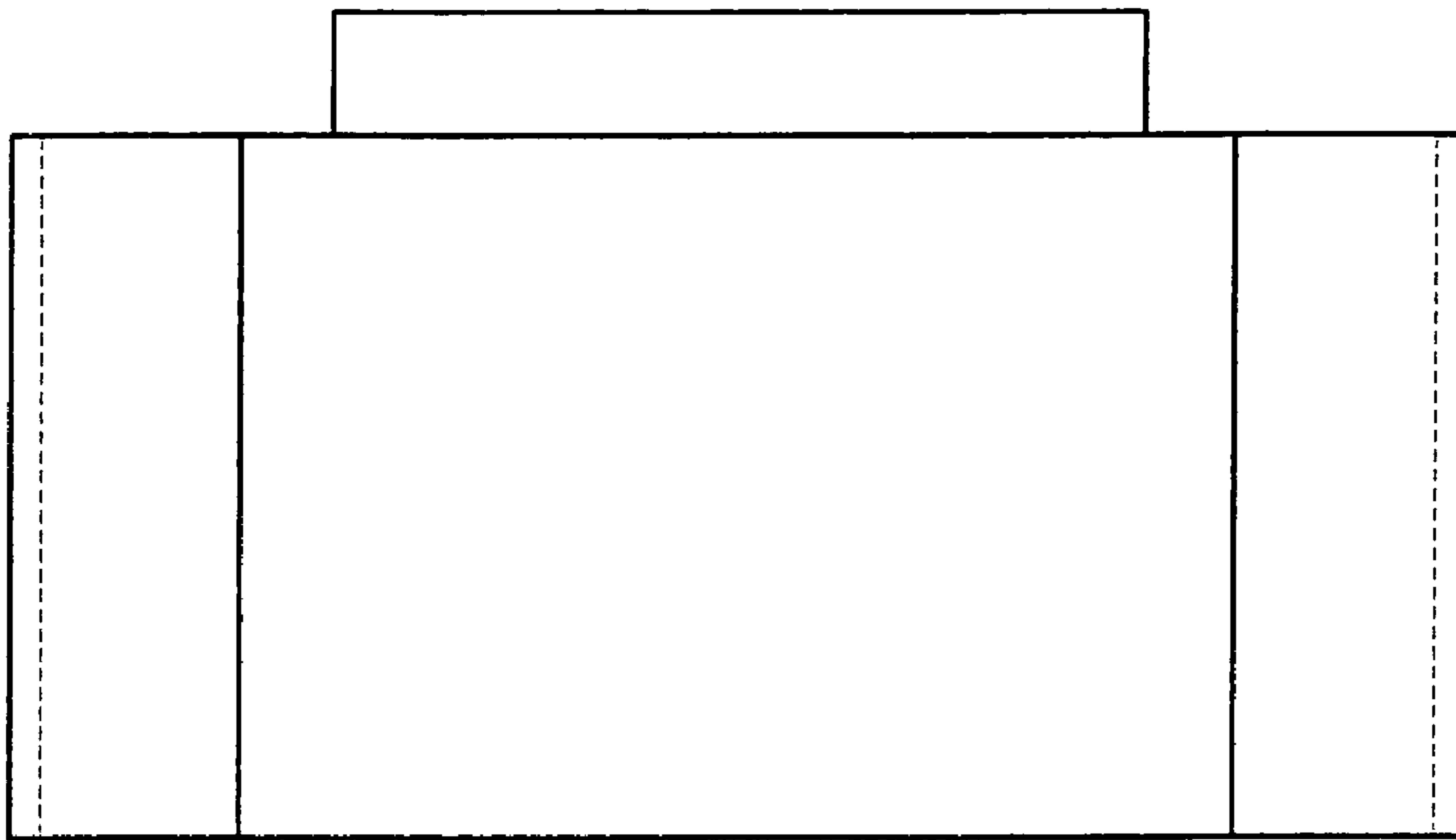


FIG. 7

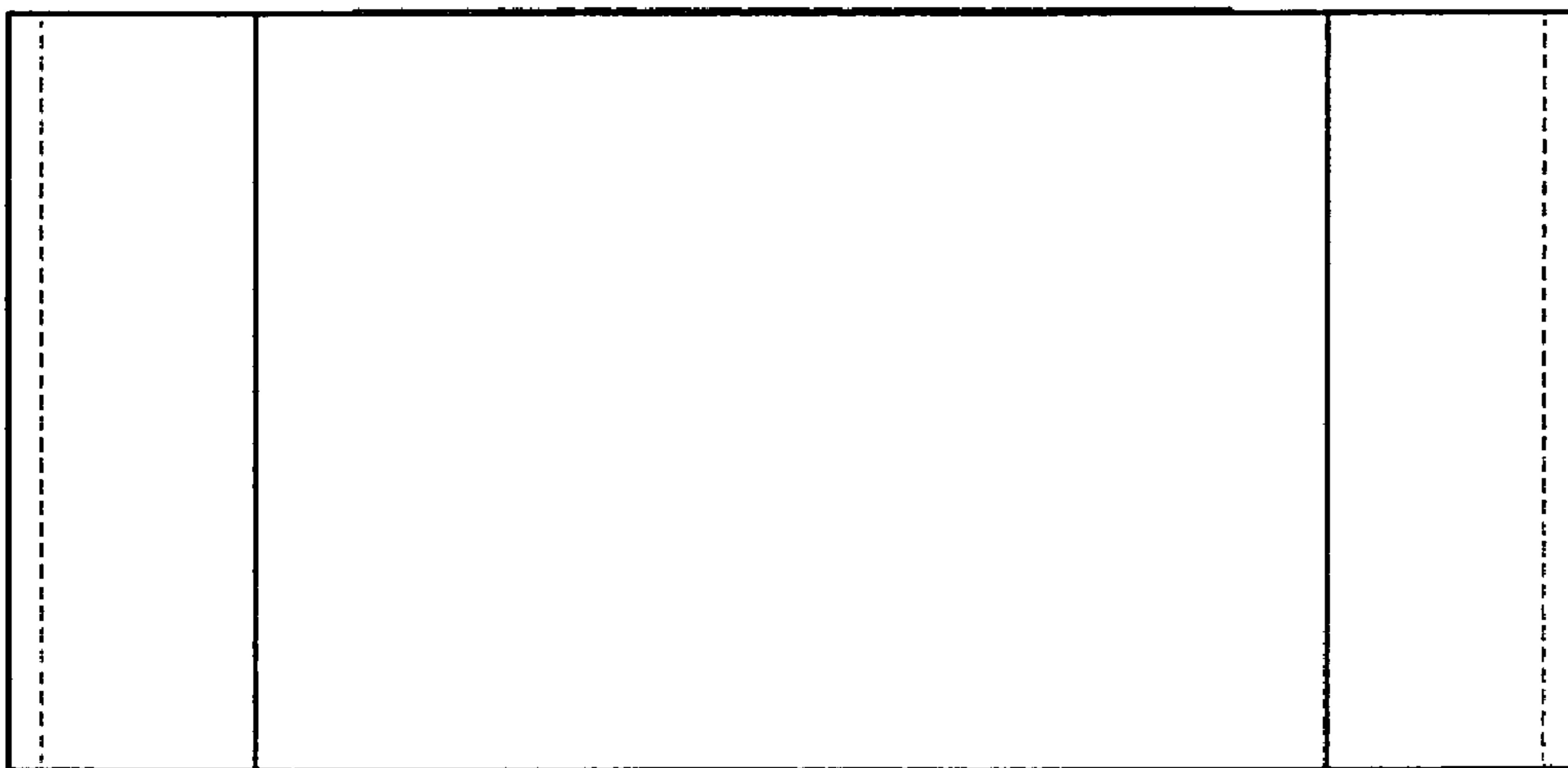


FIG. 8

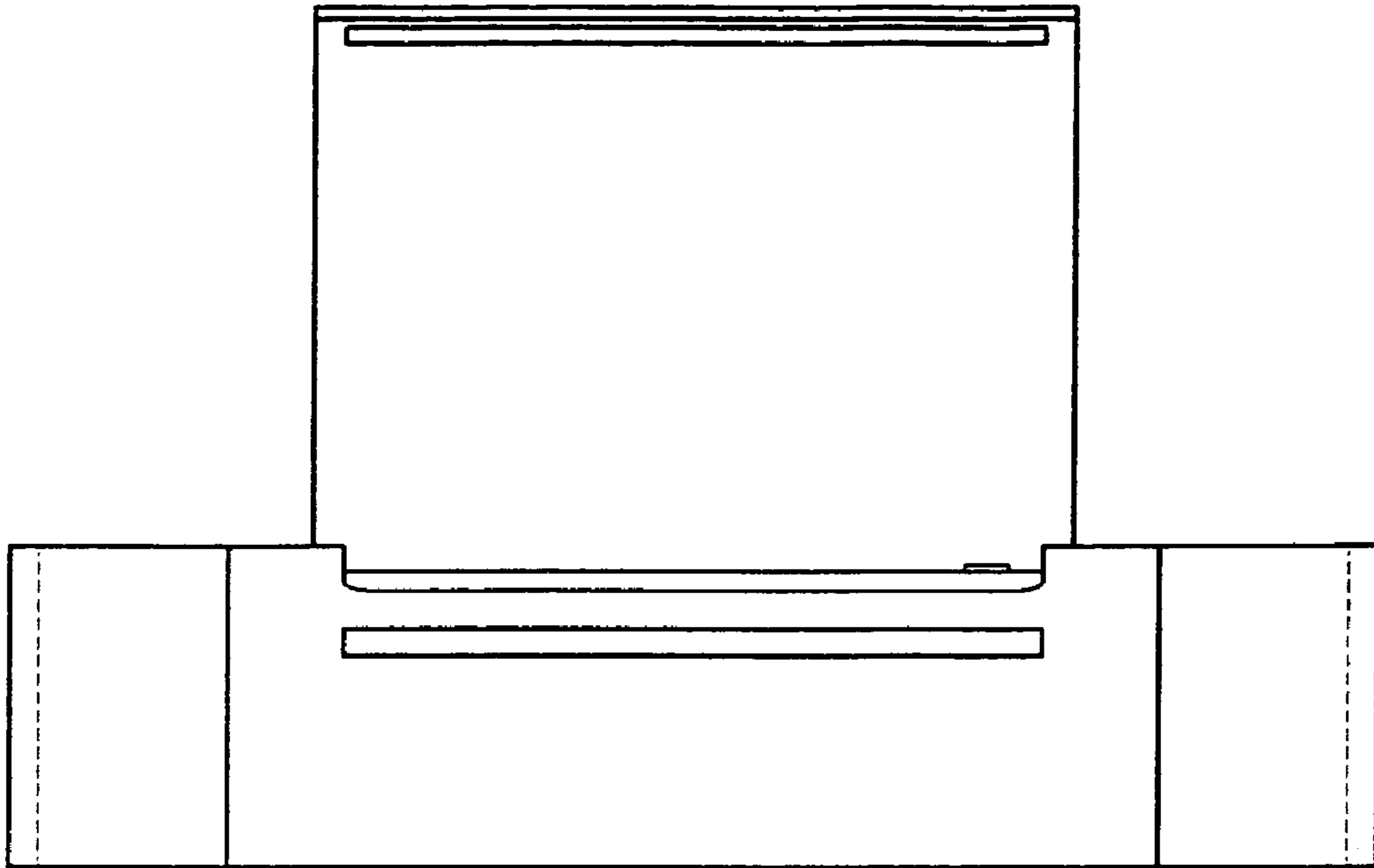


FIG. 9

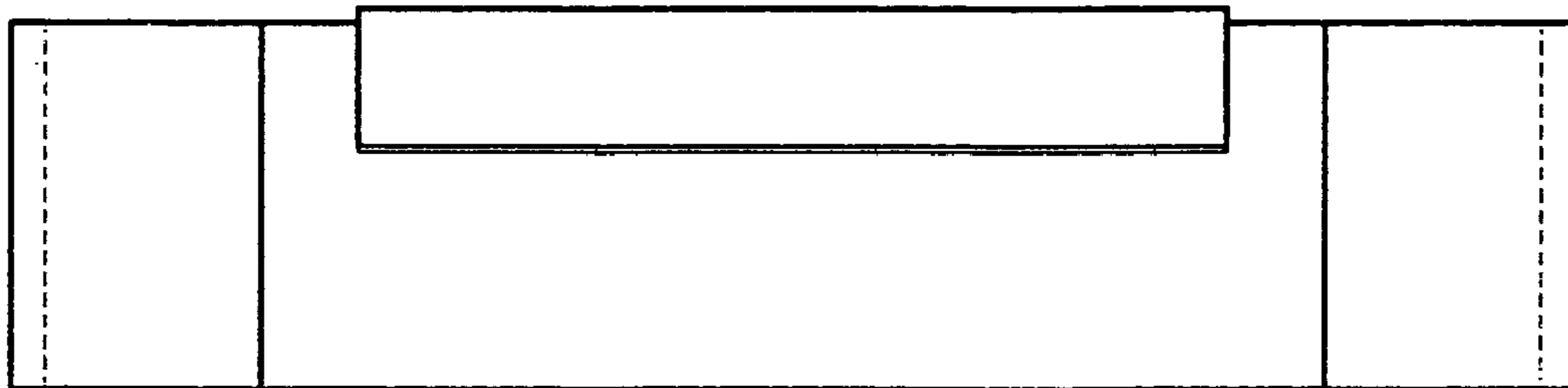


FIG. 10

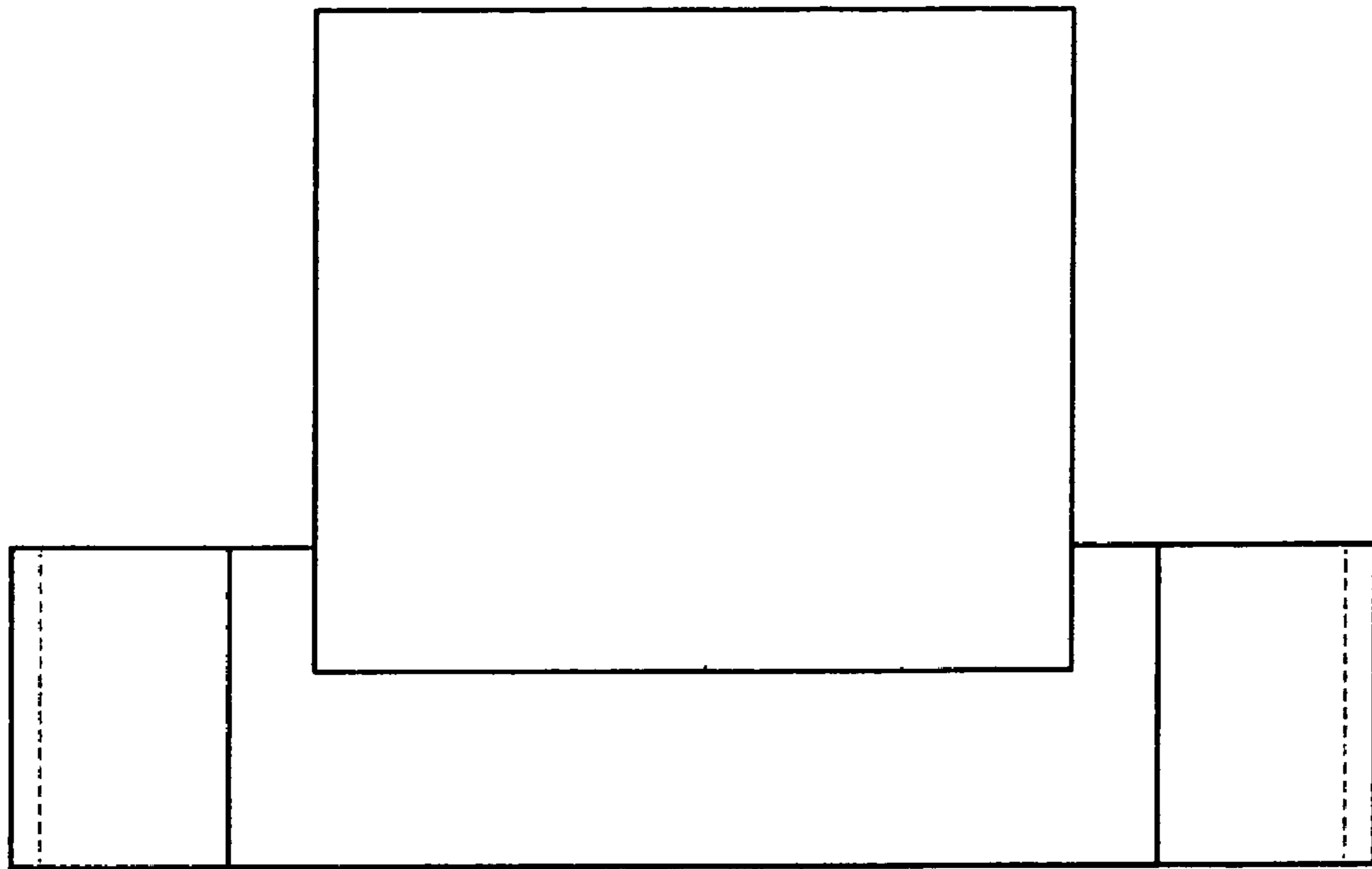


FIG. 11

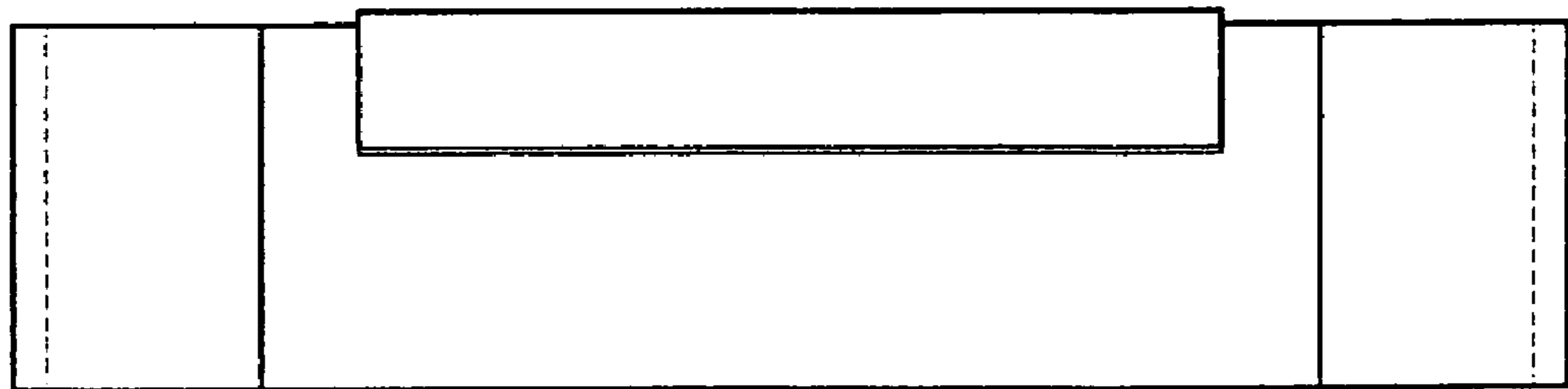


FIG. 12

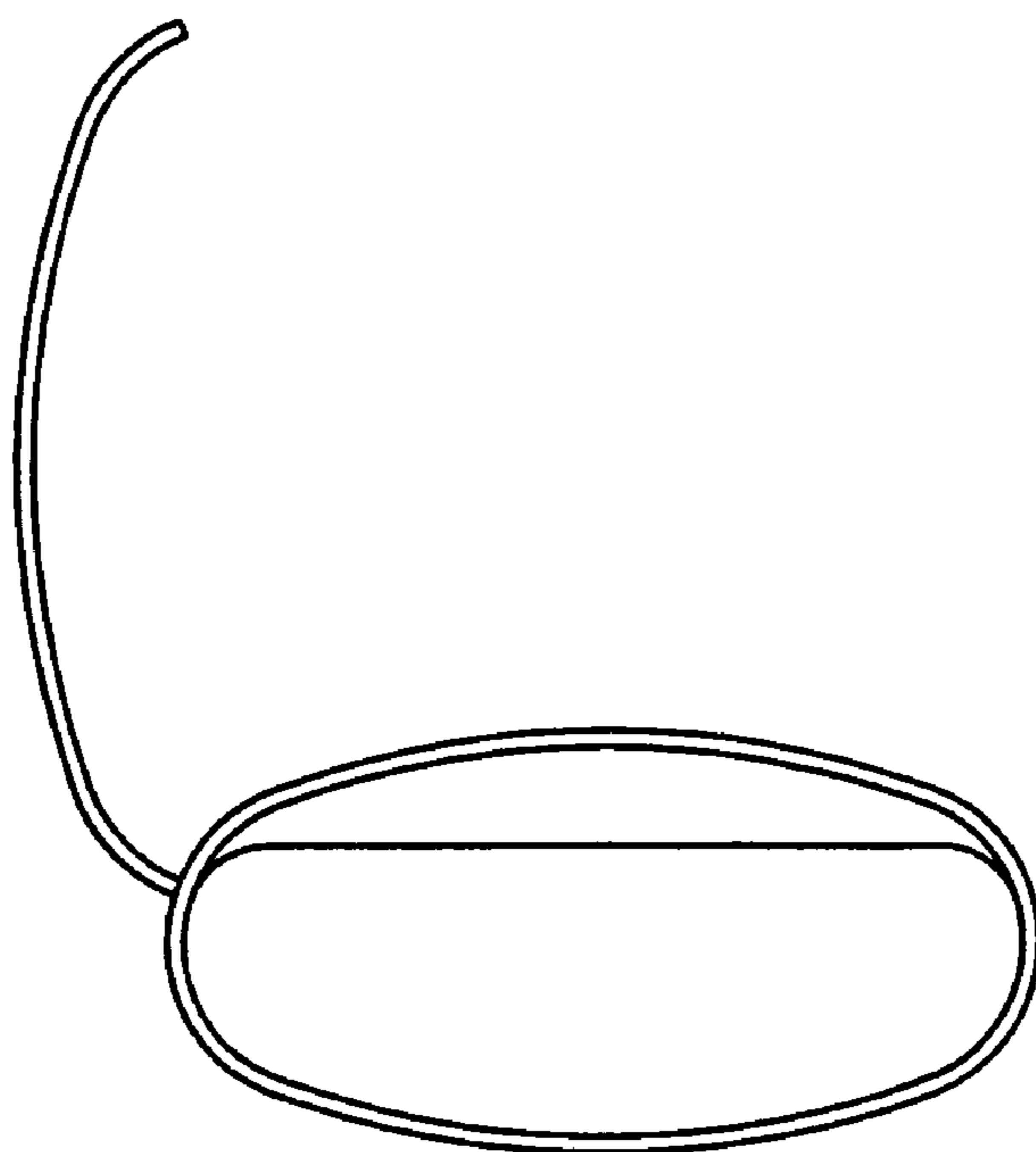


FIG. 13

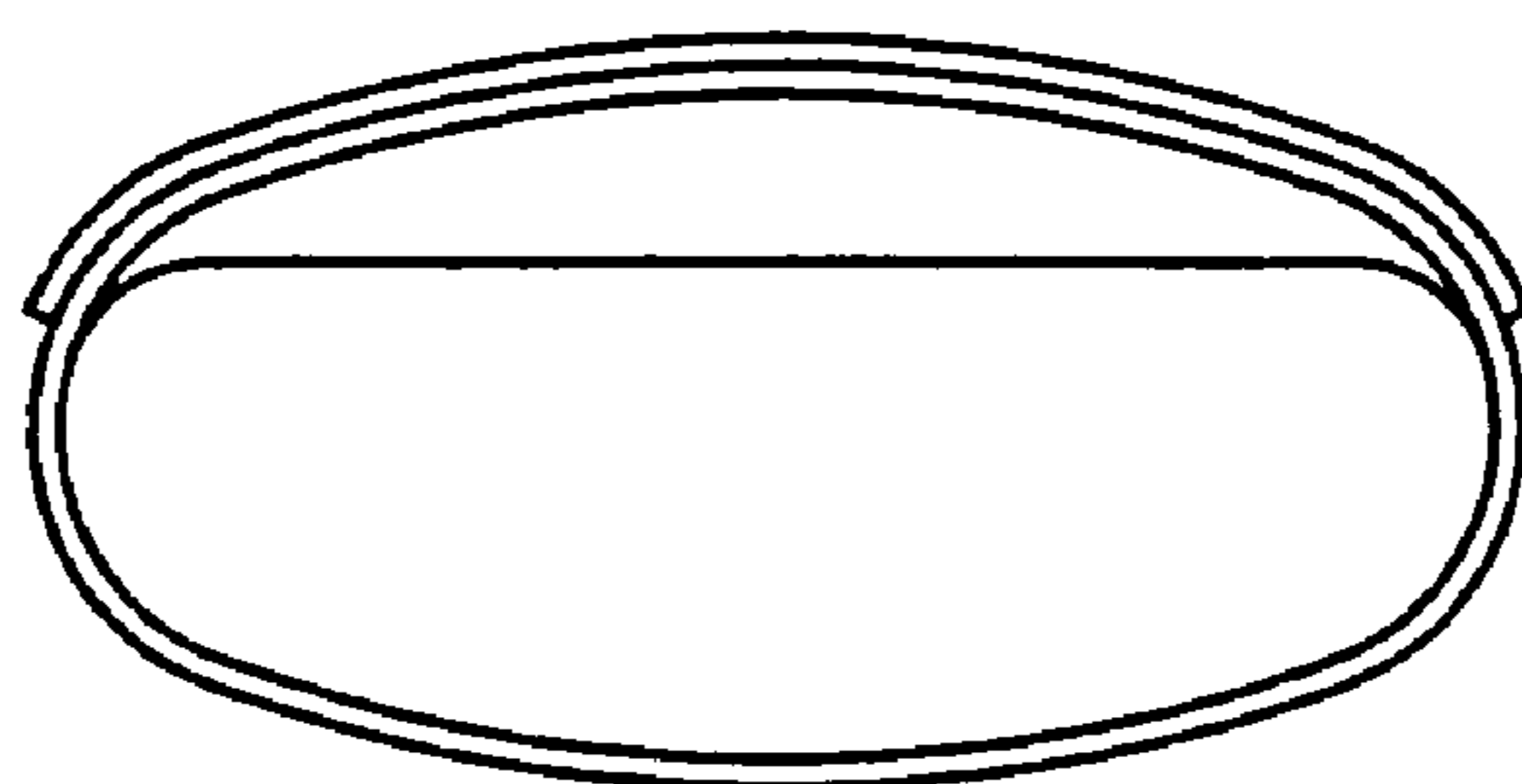


FIG. 14