



US00D611015S

(12) **United States Design Patent**
Huang

(10) **Patent No.:** **US D611,015 S**
(45) **Date of Patent:** **** Mar. 2, 2010**

(54) **IP SET TOP BOX**
(75) Inventor: **Marc Huang**, Taipei (TW)
(73) Assignee: **Phyllis Co., Ltd.**, Taipei (TW)
(**) Term: **14 Years**
(21) Appl. No.: **29/299,760**
(22) Filed: **Jan. 3, 2008**

D432,125 S * 10/2000 Masuda et al. D14/349
D471,882 S * 3/2003 Lan D14/125
D514,118 S * 1/2006 Christianson D14/496
D568,315 S * 5/2008 Yano D14/358
D572,674 S * 7/2008 Paradise D14/125

* cited by examiner

Primary Examiner—Raphael Barkai
Assistant Examiner—Randall H Gholson

(51) **LOC (9) Cl.** **14-03**
(52) **U.S. Cl.** **D14/125**
(58) **Field of Classification Search** D14/125–134,
D14/239, 371, 136, 374–377; 312/7.2; 348/836,
348/838, 180, 184, 325, 739; 341/12; 248/917–924,
248/465, 123.11; 345/104, 133, 156, 168,
345/87, 173, 169; 349/1, 2, 11, 62; 720/605,
720/669, 600, 655, 99, 197; 455/344–347
See application file for complete search history.

(57) **CLAIM**

The ornamental design for an IP set top box, as shown and described.

DESCRIPTION

FIG. 1 is a perspective view of an IP set top box showing my new design;
FIG. 2 is a front elevational view thereof;
FIG. 3 is a rear elevational view thereof;
FIG. 4 is a left elevational view thereof;
FIG. 5 is a right elevational view thereof;
FIG. 6 is a top view thereof; and,
FIG. 7 is a bottom view.

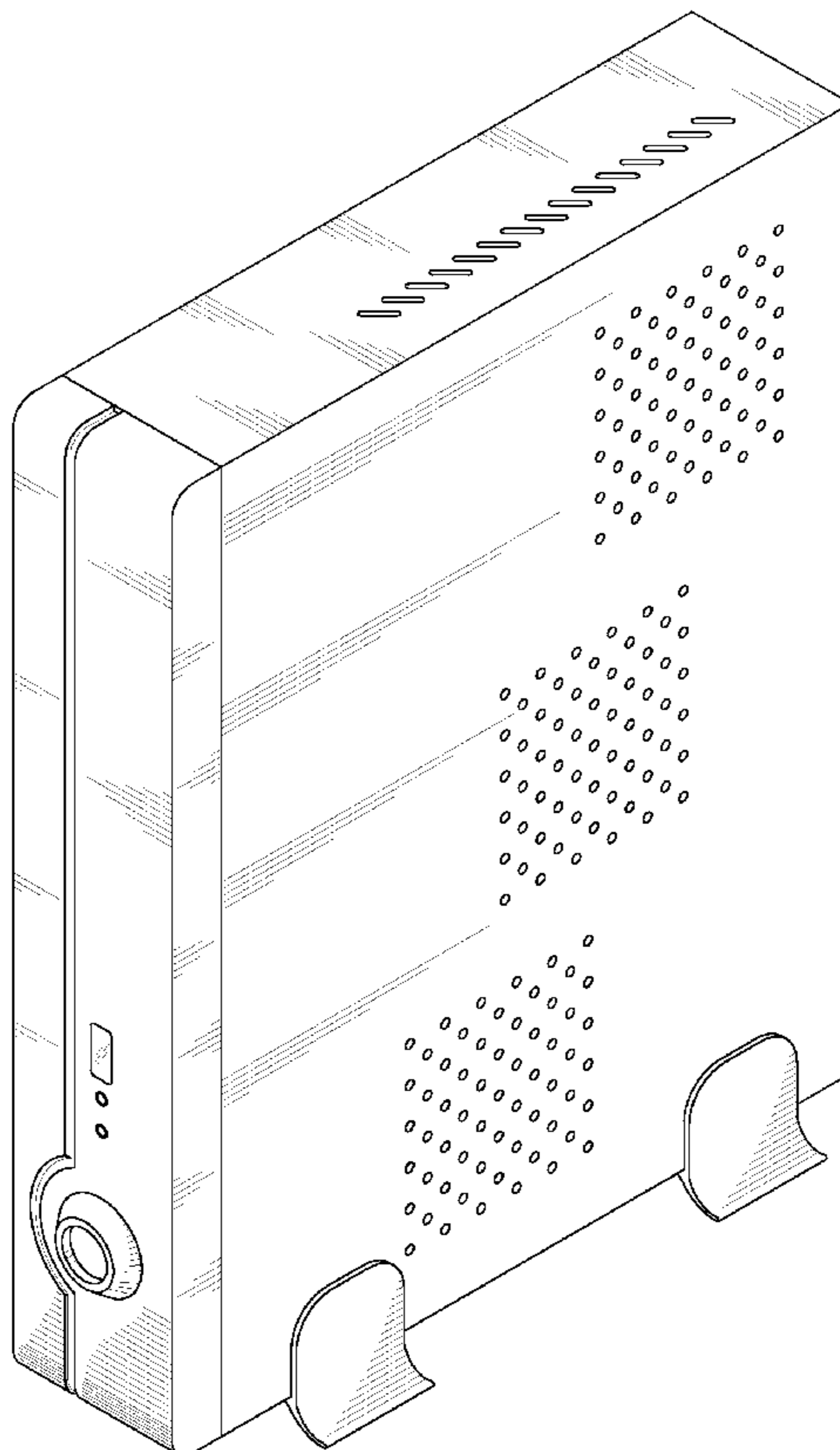
The portions of the IP set top box shown in broken lines form no part of the claimed design.

(56) **References Cited**

U.S. PATENT DOCUMENTS

D289,872 S * 5/1987 Nuttall et al. D14/351
D305,753 S * 1/1990 Hoshino D14/351
D384,649 S * 10/1997 Heberling et al. D14/352
D389,088 S * 1/1998 Murphy D14/351
D393,637 S * 4/1998 Franek D14/125
D407,085 S * 3/1999 Lytel D14/125
D431,822 S * 10/2000 Armstrong et al. D14/349

1 Claim, 7 Drawing Sheets



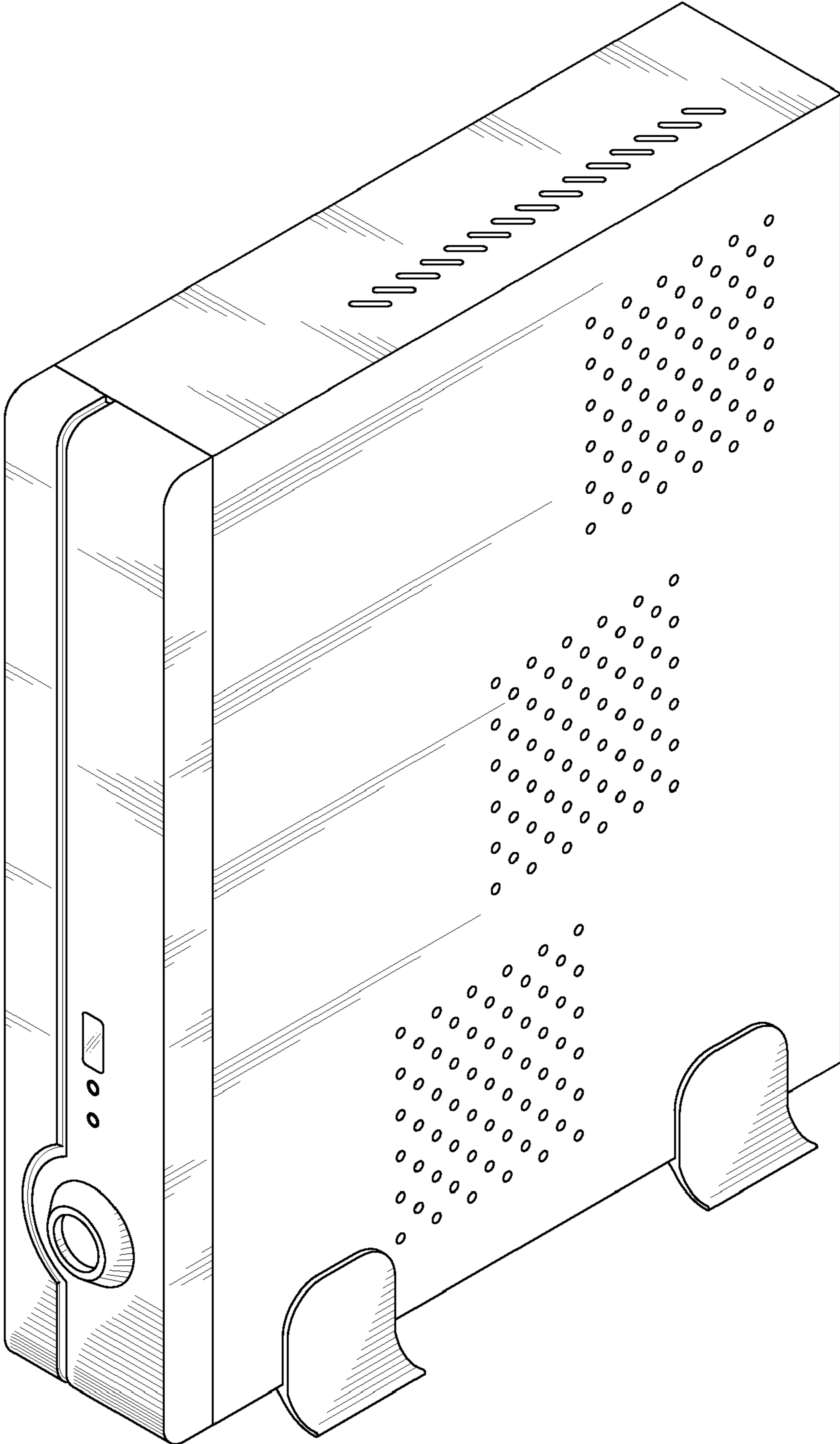


FIG. 1

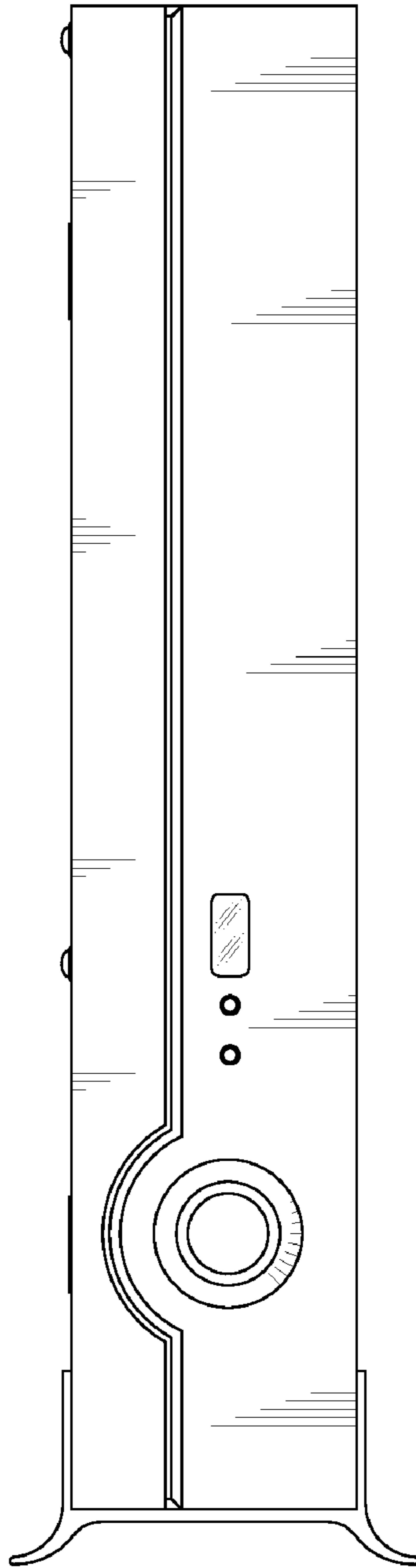


FIG. 2

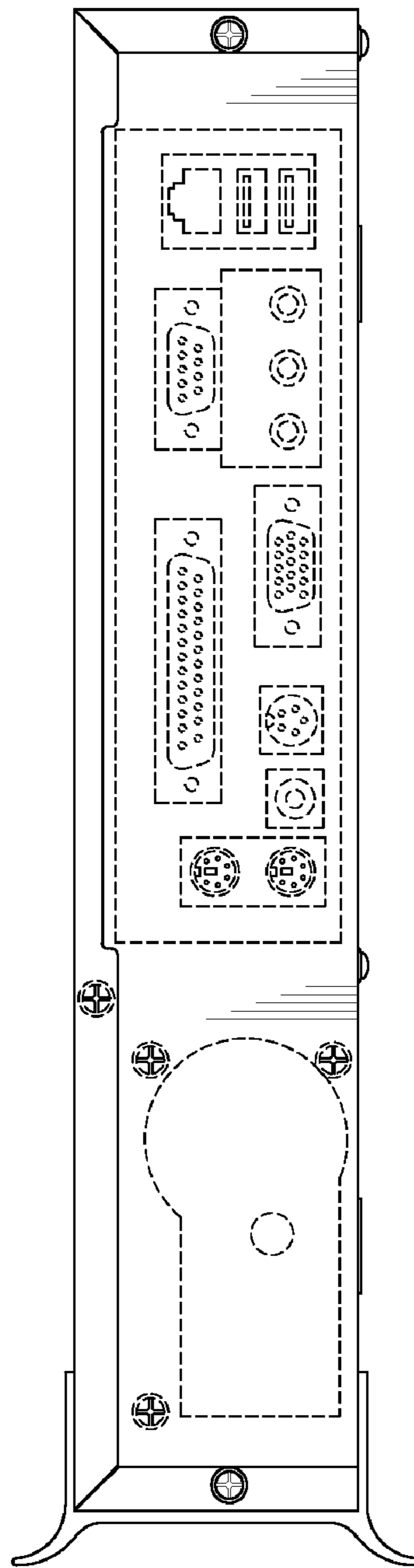


FIG. 3

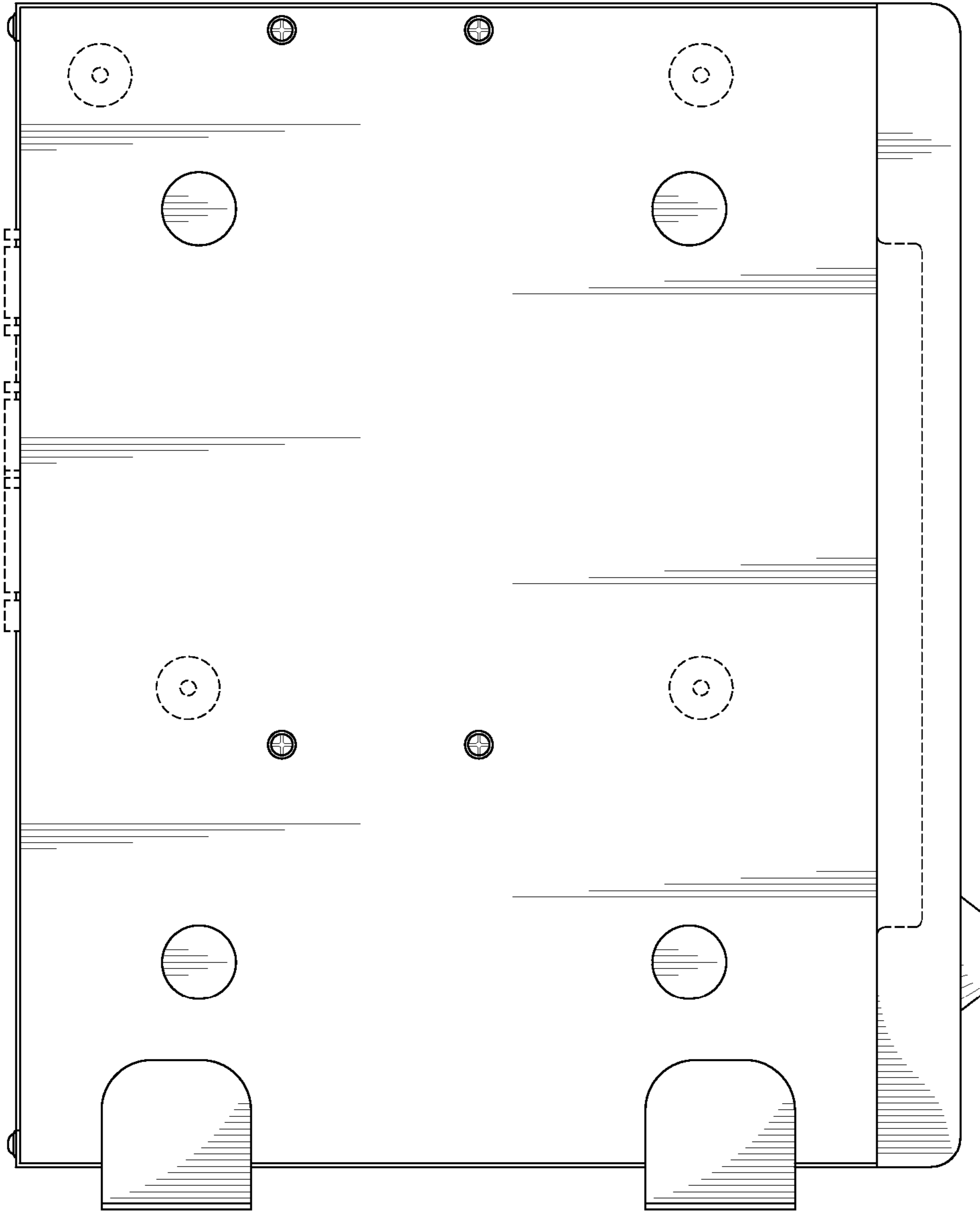


FIG. 4

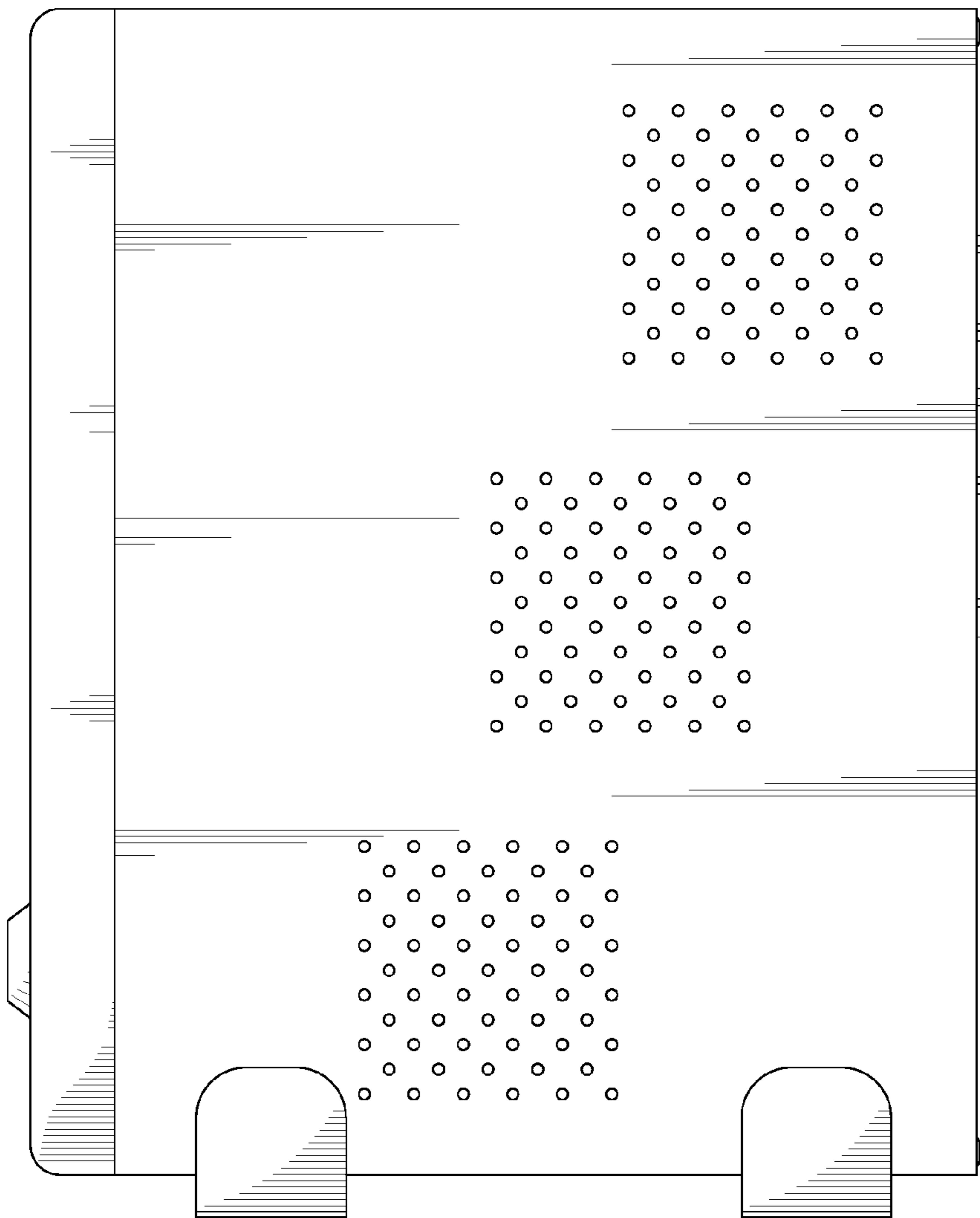


FIG. 5

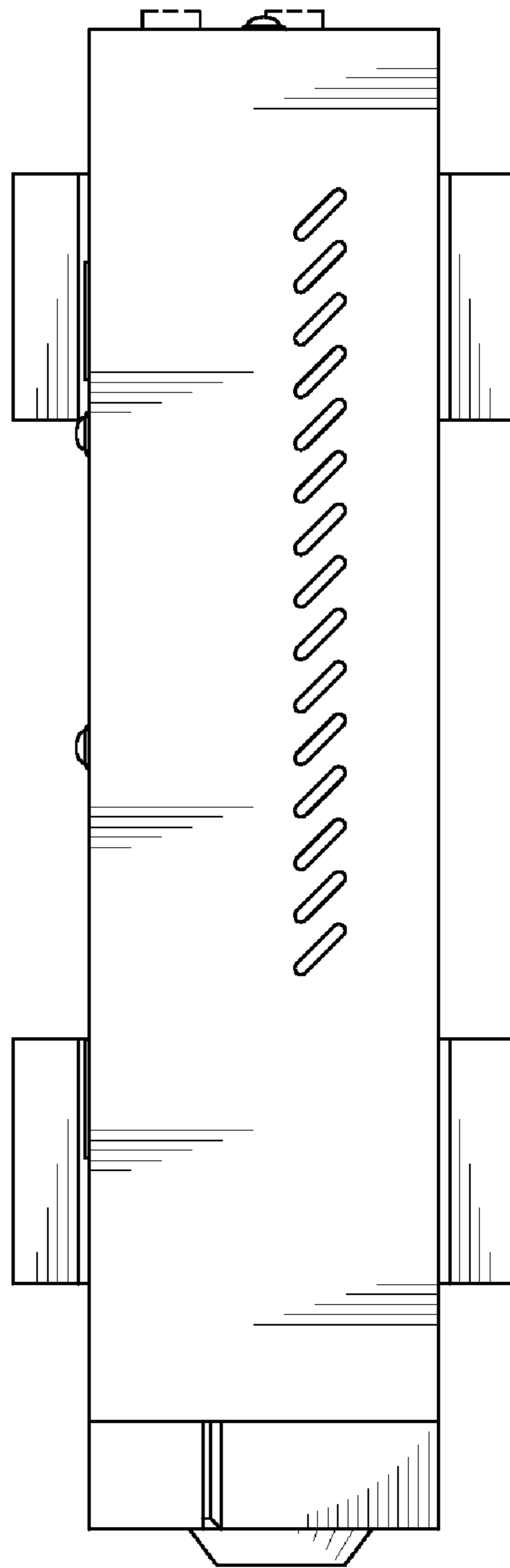


FIG. 6

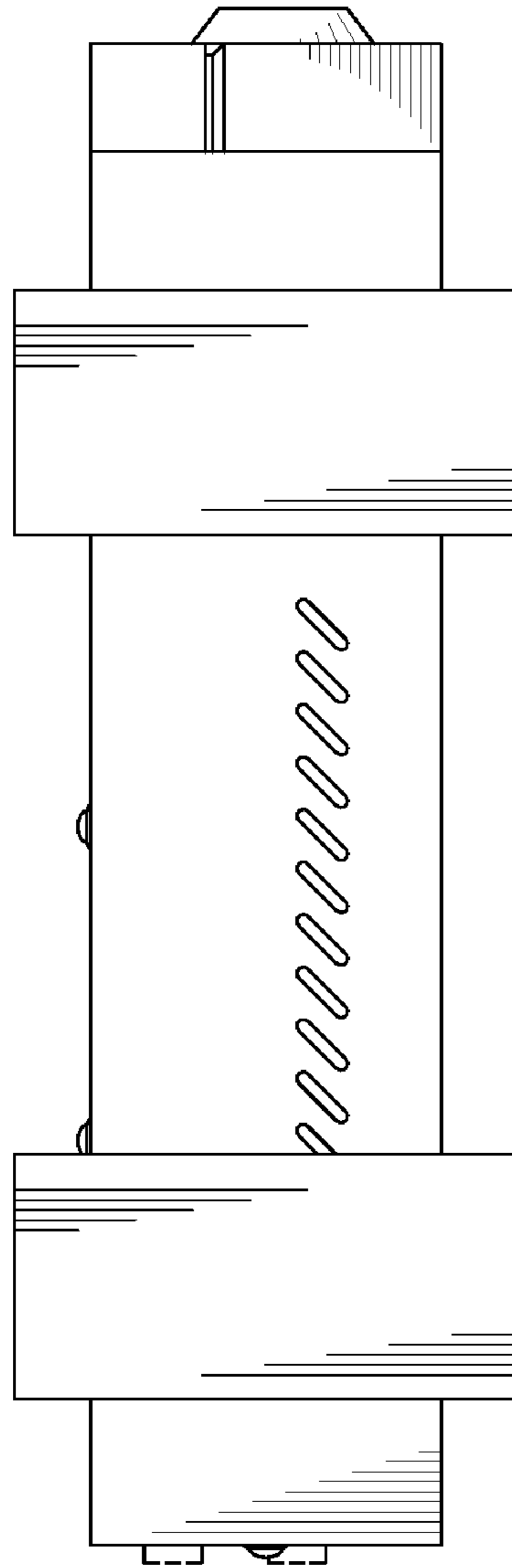


FIG. 7