

US00D611014S

(12) **United States Design Patent**
Huang

(10) **Patent No.:** **US D611,014 S**
(45) **Date of Patent:** **** Mar. 2, 2010**

(54) **CIRCUIT BOARD MODULE**

(75) Inventor: **Kuo-An Huang**, 4F, No. 42, Alley 52,
Lane 117, Tianmu W. Rd., Shihlin
District, Taipei (TW) 111

(73) Assignee: **Kuo-An Huang**, Taipei (TW)

(**) Term: **14 Years**

(21) Appl. No.: **29/319,715**

(22) Filed: **Jun. 13, 2008**

(51) **LOC (9) Cl.** **13-03**

(52) **U.S. Cl.** **D13/182**

(58) **Field of Classification Search** D13/180,
D13/182; 29/829; 174/250, 253; 340/545.3,
340/545.5; 324/207.11, 207.13, 207.14,
324/686; 361/720, 748, 752, 760; 439/55,
439/65, 74

See application file for complete search history.

(56) **References Cited**

U.S. PATENT DOCUMENTS

6,232,560 B1 * 5/2001 Lin 174/257
6,609,915 B2 * 8/2003 Adams et al. 439/74

D531,139 S * 10/2006 Egawa et al. D13/180
D552,566 S * 10/2007 Moriyama D13/182
7,435,097 B2 * 10/2008 Mecker 439/65
2006/0072293 A1 * 4/2006 Peele 361/733
2007/0097656 A1 * 5/2007 Sakai 361/748
2008/0088597 A1 * 4/2008 Prest et al. 345/173
2008/0142352 A1 * 6/2008 Wright 200/600
2009/0051647 A1 * 2/2009 Su et al. 345/156

* cited by examiner

Primary Examiner—Selina Sikder

(74) *Attorney, Agent, or Firm*—WPAT., P.C.; Justin King

(57) **CLAIM**

The ornamental design for a circuit board module, as shown and described.

DESCRIPTION

FIG. 1 is a perspective view of a circuit board module showing my new design;

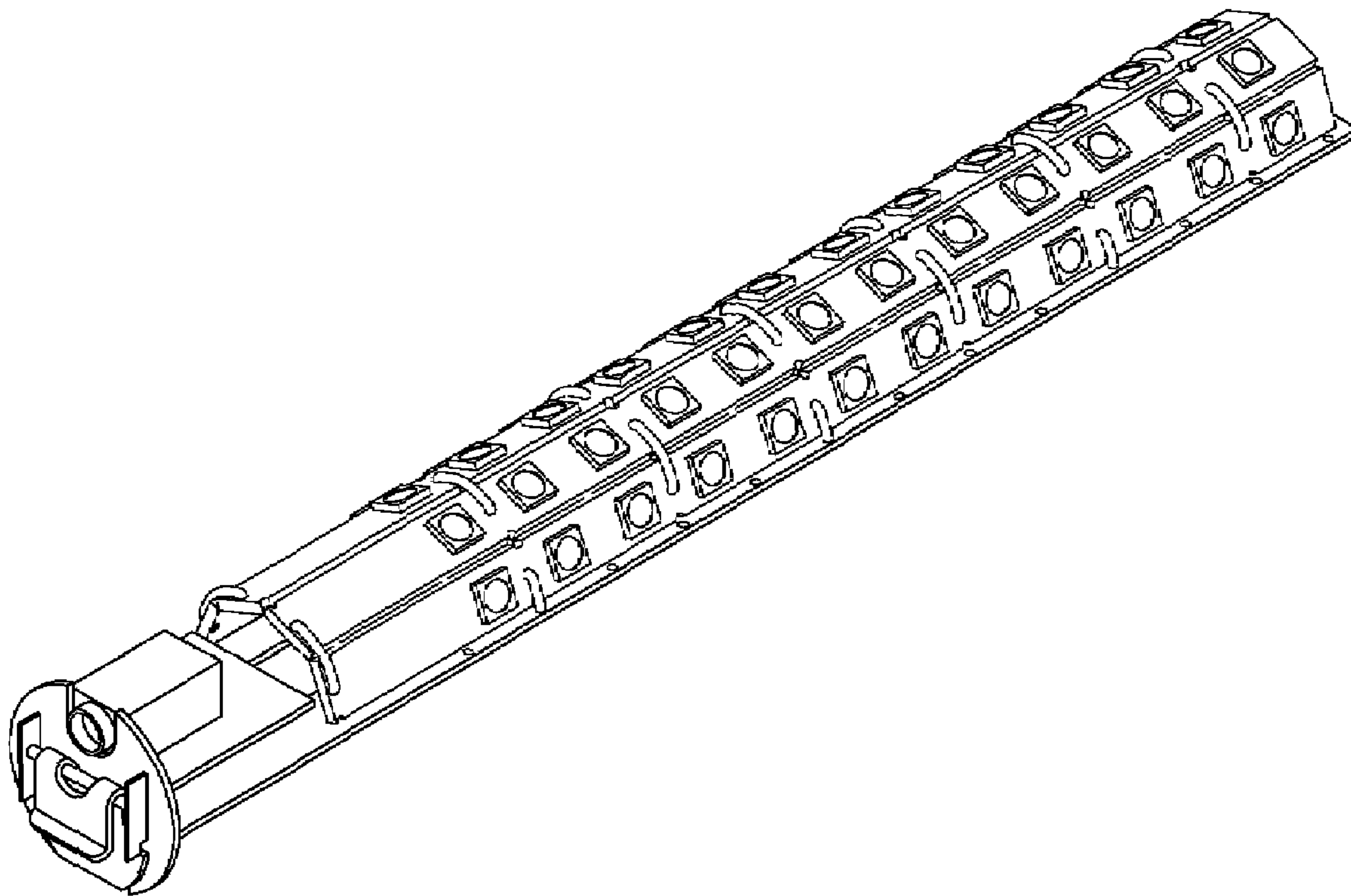
FIG. 2 is a front view of a circuit board module;

FIG. 3 is a left view of a circuit board module;

FIG. 4 is a right view of a circuit board module; and,

FIG. 5 is a top view of a circuit board module.

1 Claim, 3 Drawing Sheets



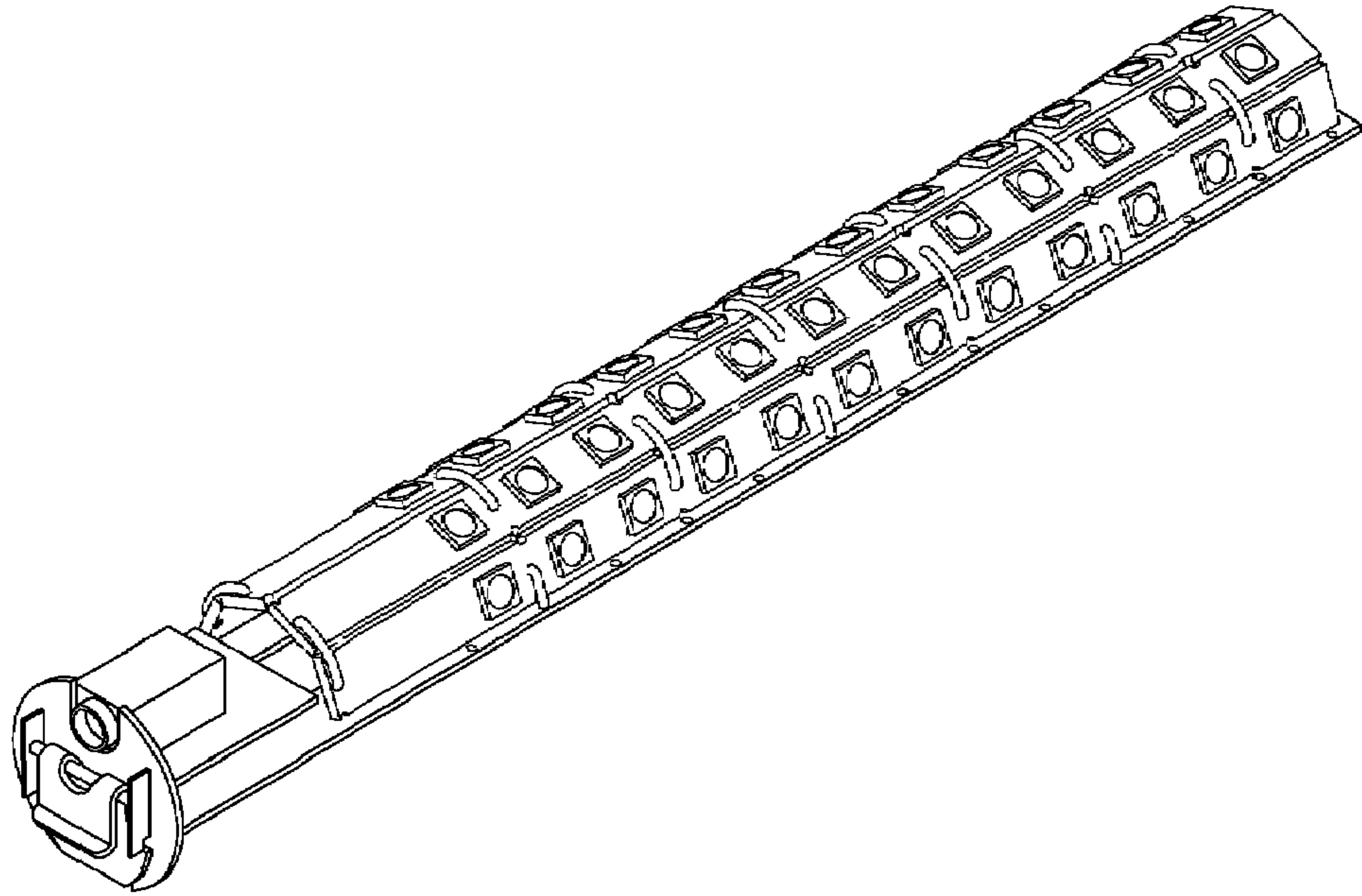


FIG. 1

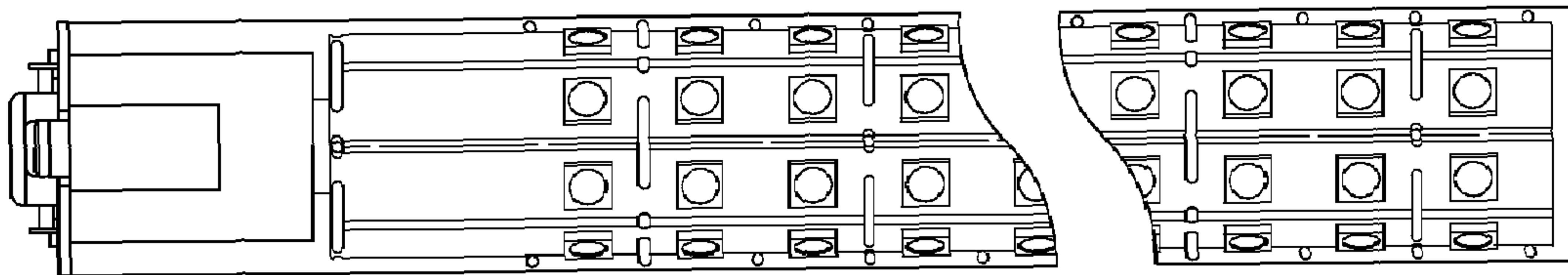


FIG. 2

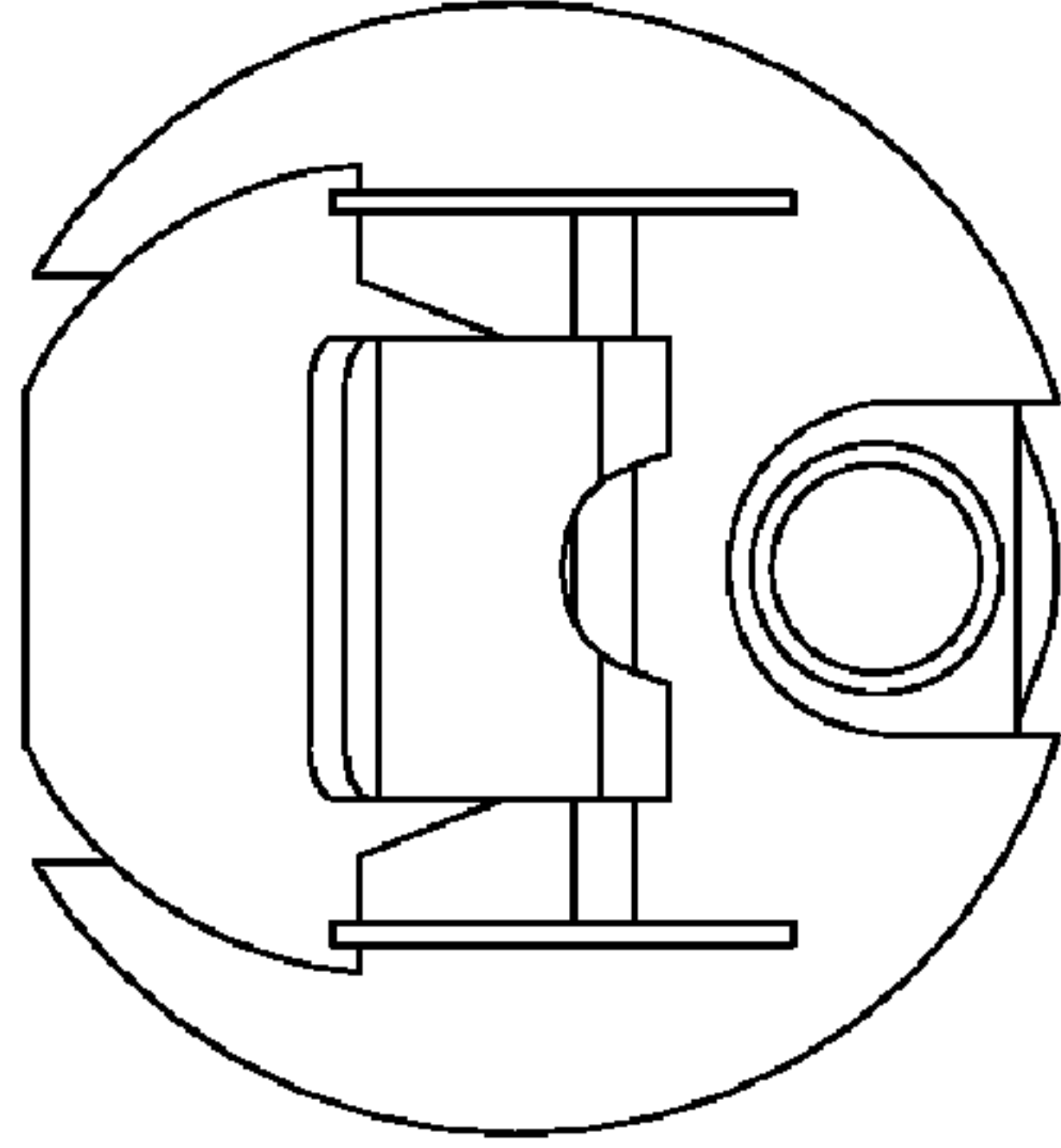


FIG. 3

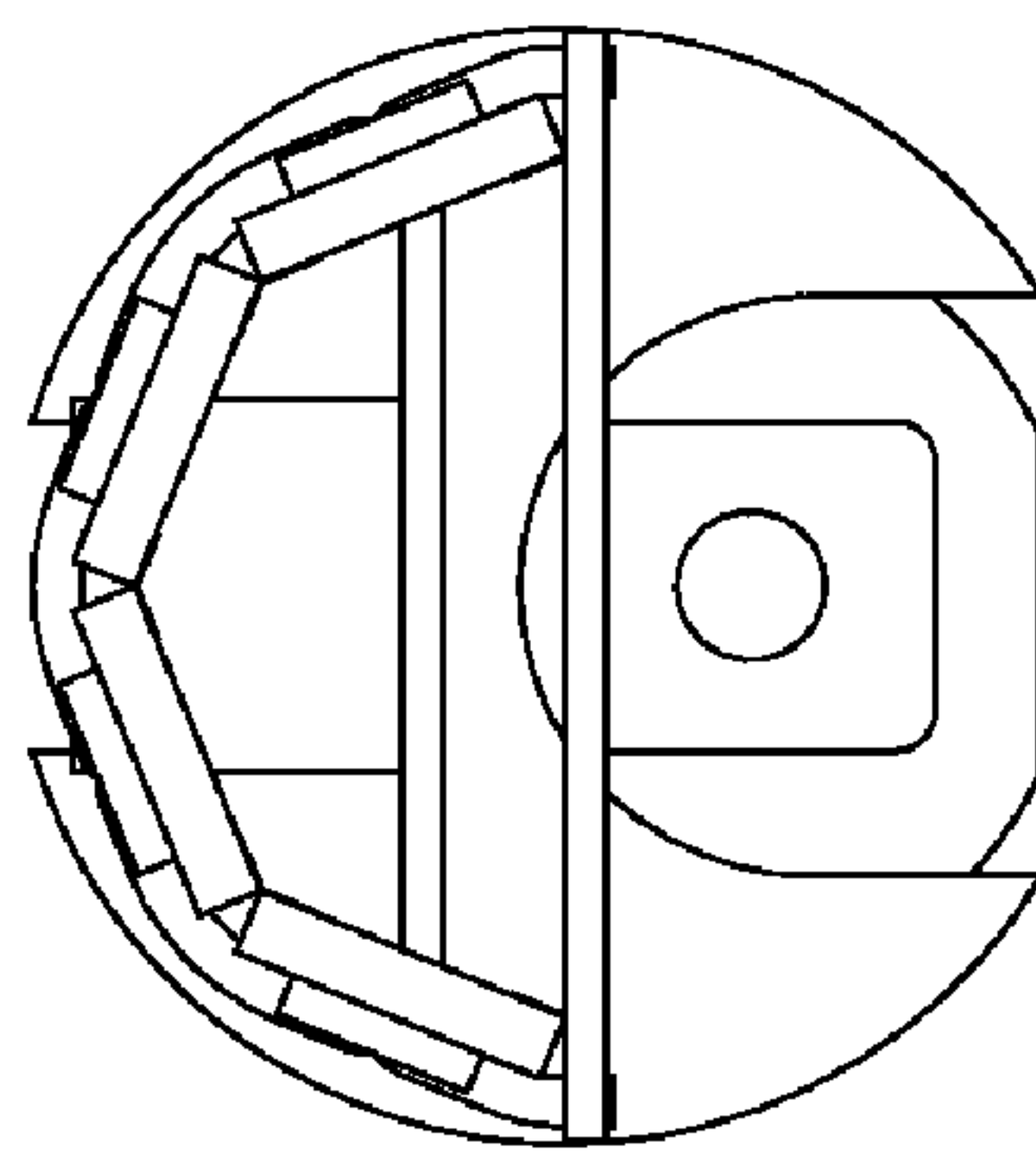


FIG. 4

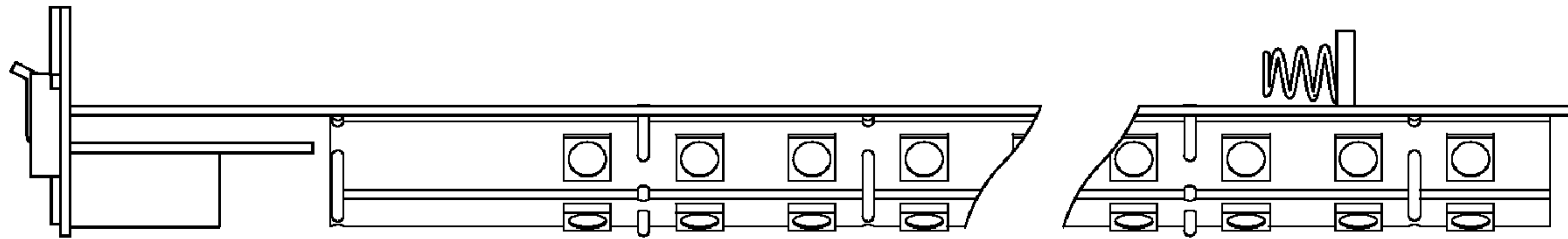


FIG. 5