



US00D611012S

(12) **United States Design Patent**
Hsieh

(10) **Patent No.:** **US D611,012 S**
(45) **Date of Patent:** **** Mar. 2, 2010**

(54) **LIGHT EMITTING DIODE**

(75) Inventor: **Chung-Chuan Hsieh**, Tucheng (TW)

(73) Assignee: **Everlight Electronics Co., Ltd.**,
Tucheng (TW)

(**) Term: **14 Years**

(21) Appl. No.: **29/338,433**

(22) Filed: **Jun. 11, 2009**

(30) **Foreign Application Priority Data**

Dec. 19, 2008 (TW) 97307161

(51) **LOC (9) Cl.** **13-03**

(52) **U.S. Cl.** **D13/180**

(58) **Field of Classification Search** D13/180;
D26/2; 257/79, 80, 81, 88, 89, 95, 98, 99,
257/100, E33.058; 313/483, 498, 500; 362/555,
362/800

See application file for complete search history.

(56) **References Cited**

U.S. PATENT DOCUMENTS

D494,550 S * 8/2004 Hoshiba D13/180
D495,304 S * 8/2004 Kim et al. D13/180
D584,246 S * 1/2009 Low et al. D13/180
D595,244 S * 6/2009 In et al. D13/180
D596,591 S * 7/2009 In et al. D13/180

FOREIGN PATENT DOCUMENTS

KR 30-0432976 11/2006

KR 30-0468823 11/2007
KR 30-0468823-1 12/2007
TW 584491 4/2004
TW 584492 4/2004

OTHER PUBLICATIONS

Taiwanese Office Action dated Oct. 6, 2009 from corresponding Taiwanese application.

* cited by examiner

Primary Examiner—Selina Sikder

(74) *Attorney, Agent, or Firm*—Grossman, Tucker, Perreault & Pflieger, PLLC

(57) **CLAIM**

The ornamental design for a light emitting diode, as shown and described.

DESCRIPTION

FIG. 1 is a perspective view of a light emitting diode showing the claimed design;

FIG. 2 is another perspective view thereof;

FIG. 3 is a front elevational view thereof;

FIG. 4 is a rear elevational view thereof;

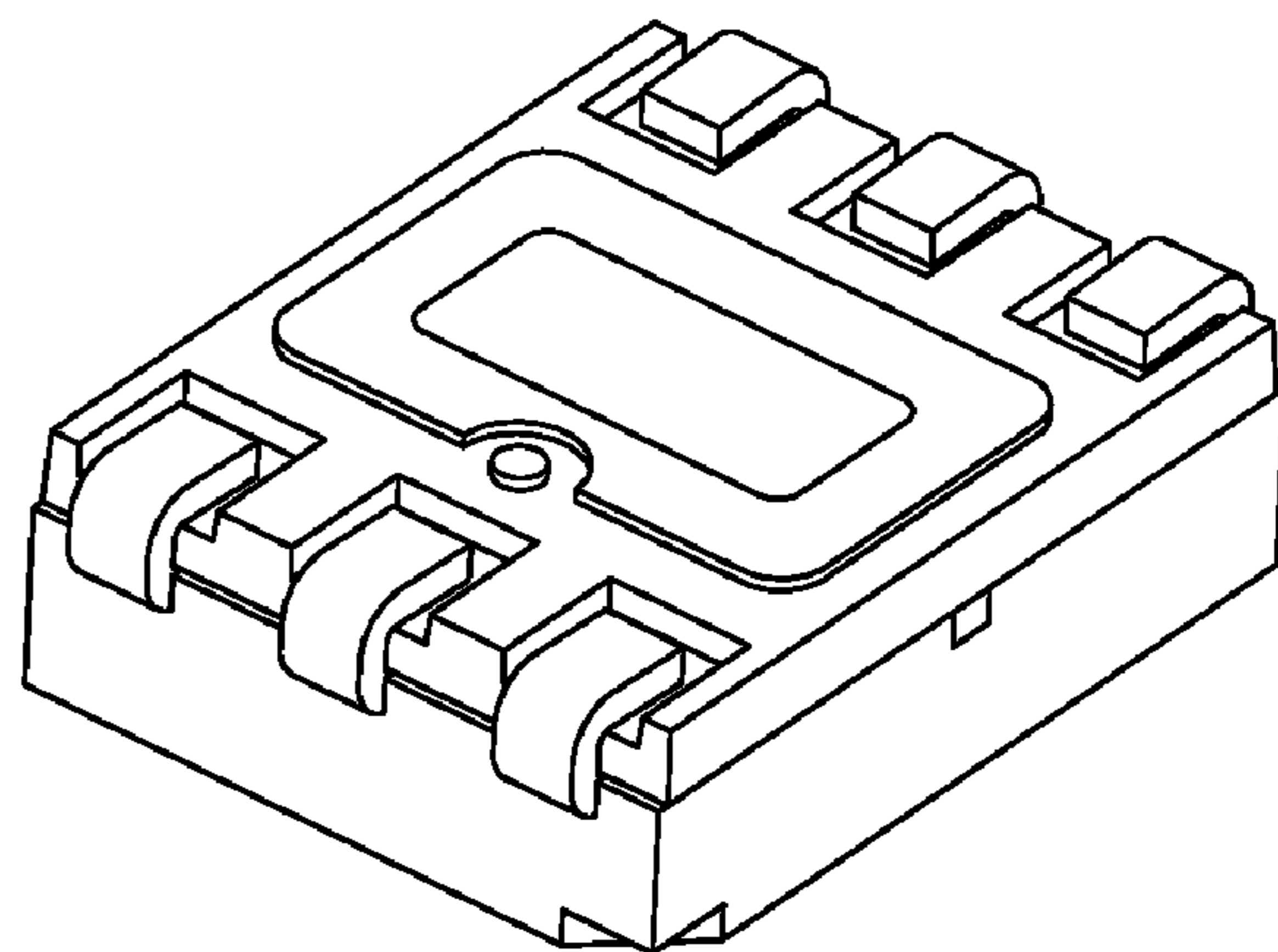
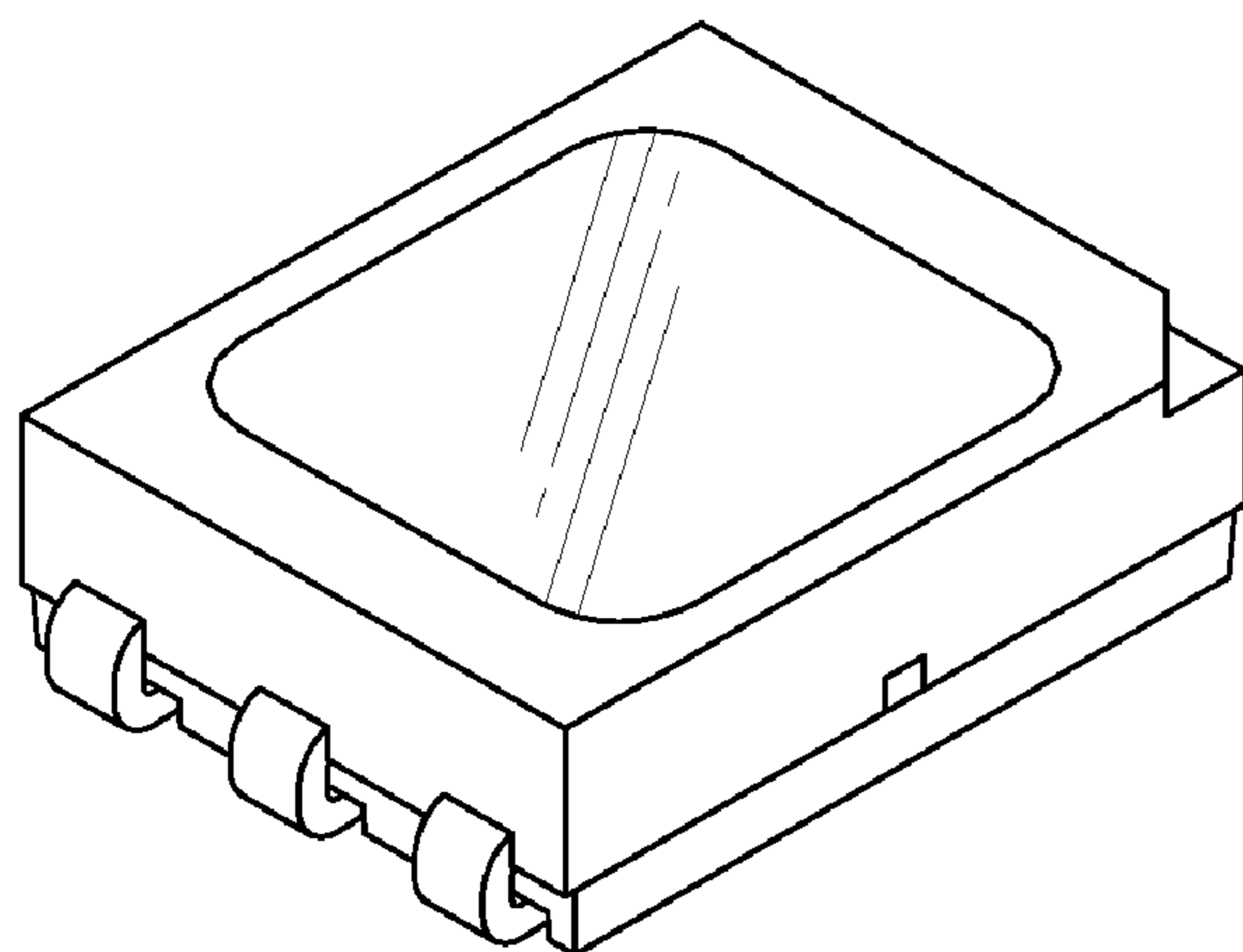
FIG. 5 is a left side elevational view thereof;

FIG. 6 is a right side elevational view thereof;

FIG. 7 is a top plan view thereof; and,

FIG. 8 is a bottom plan view thereof.

1 Claim, 5 Drawing Sheets



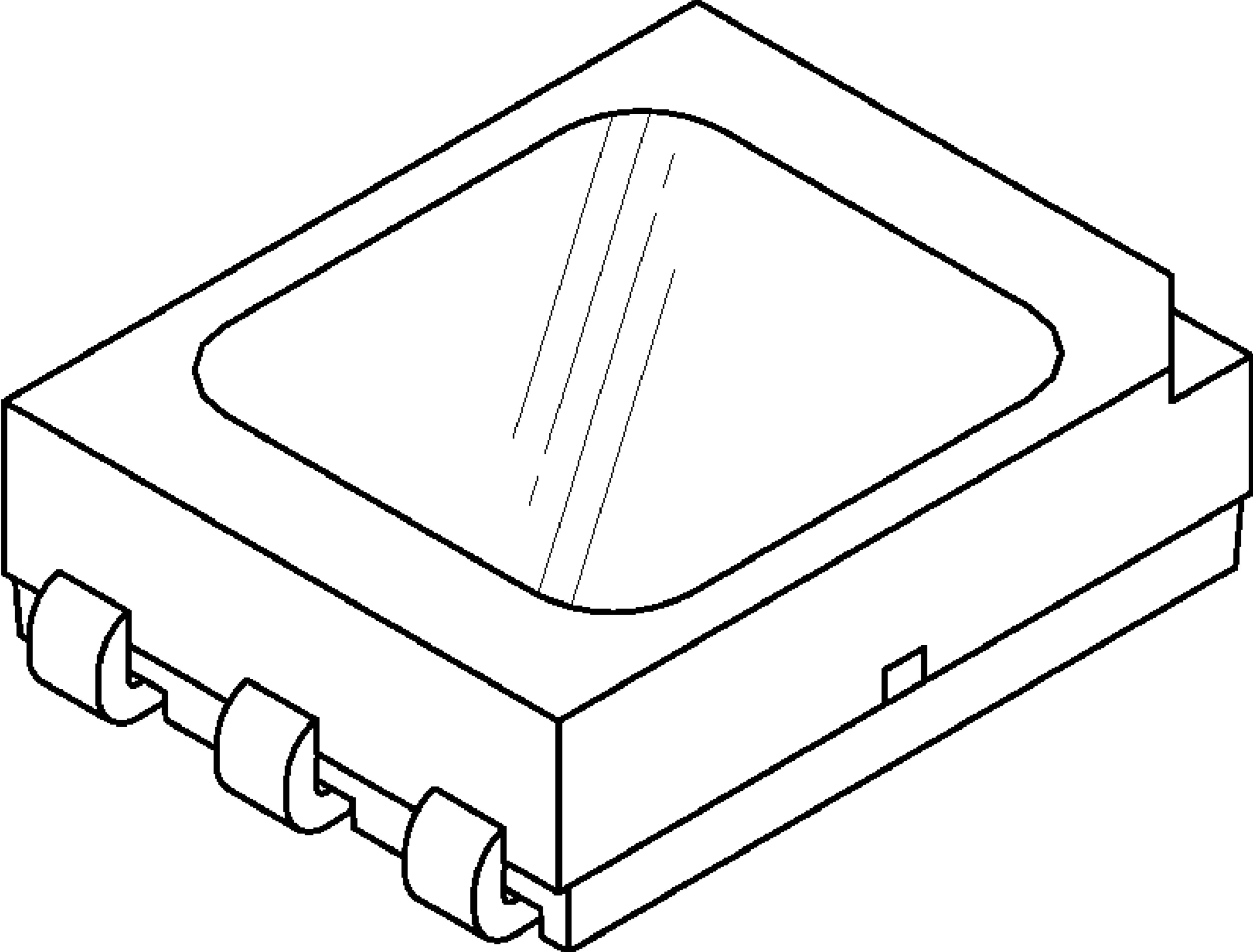


FIG. 1

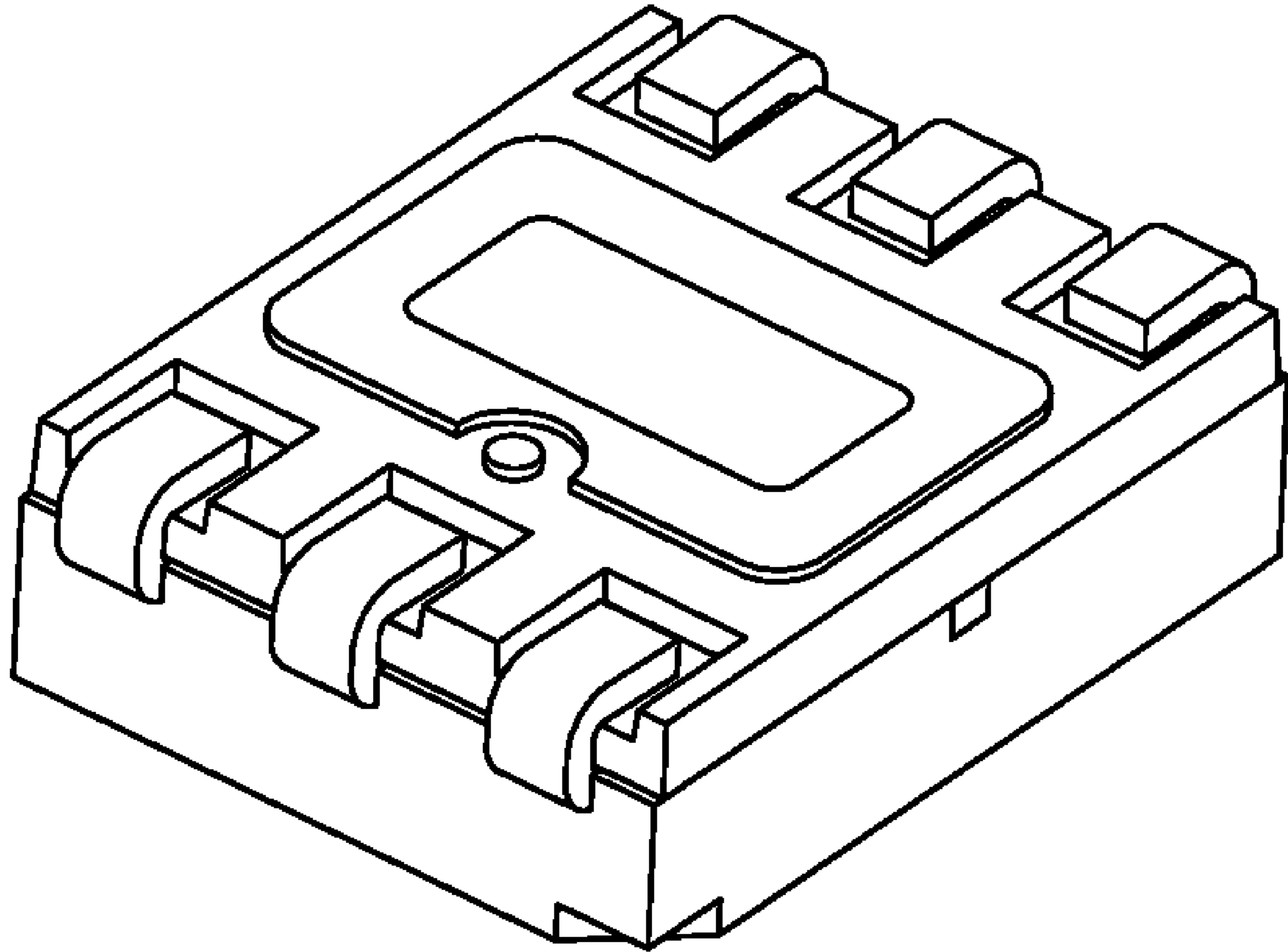


FIG. 2

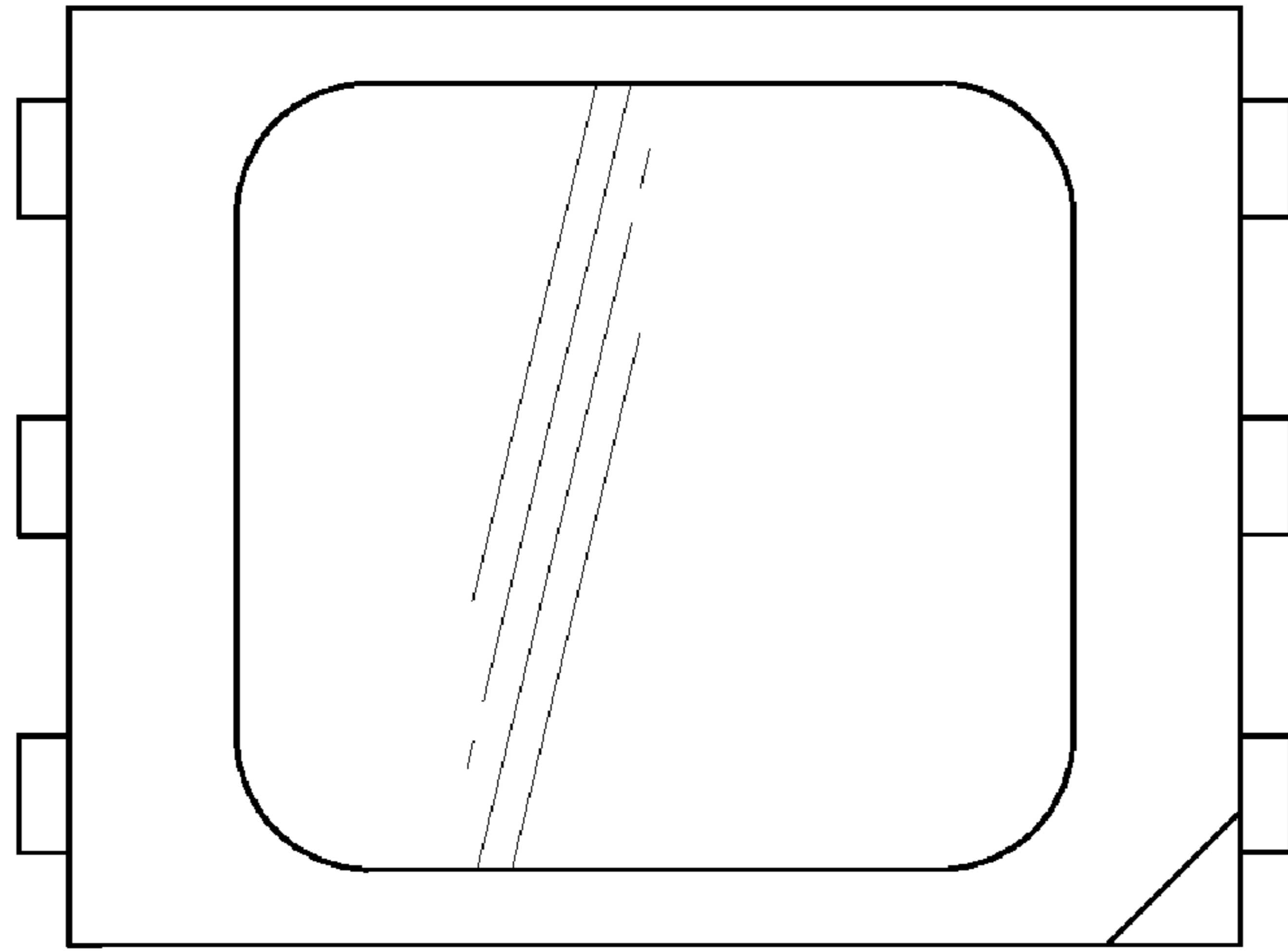


FIG. 3

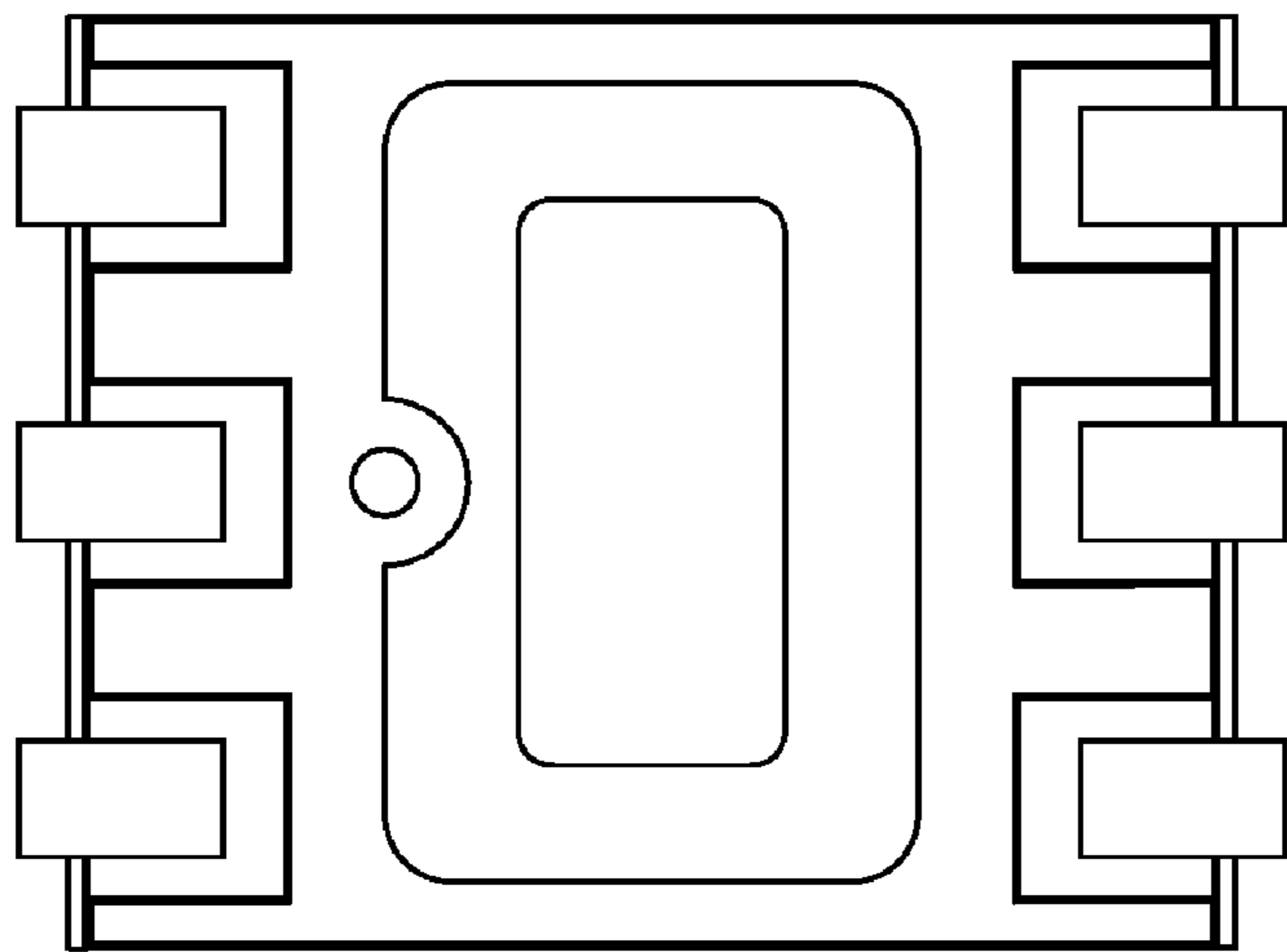


FIG. 4

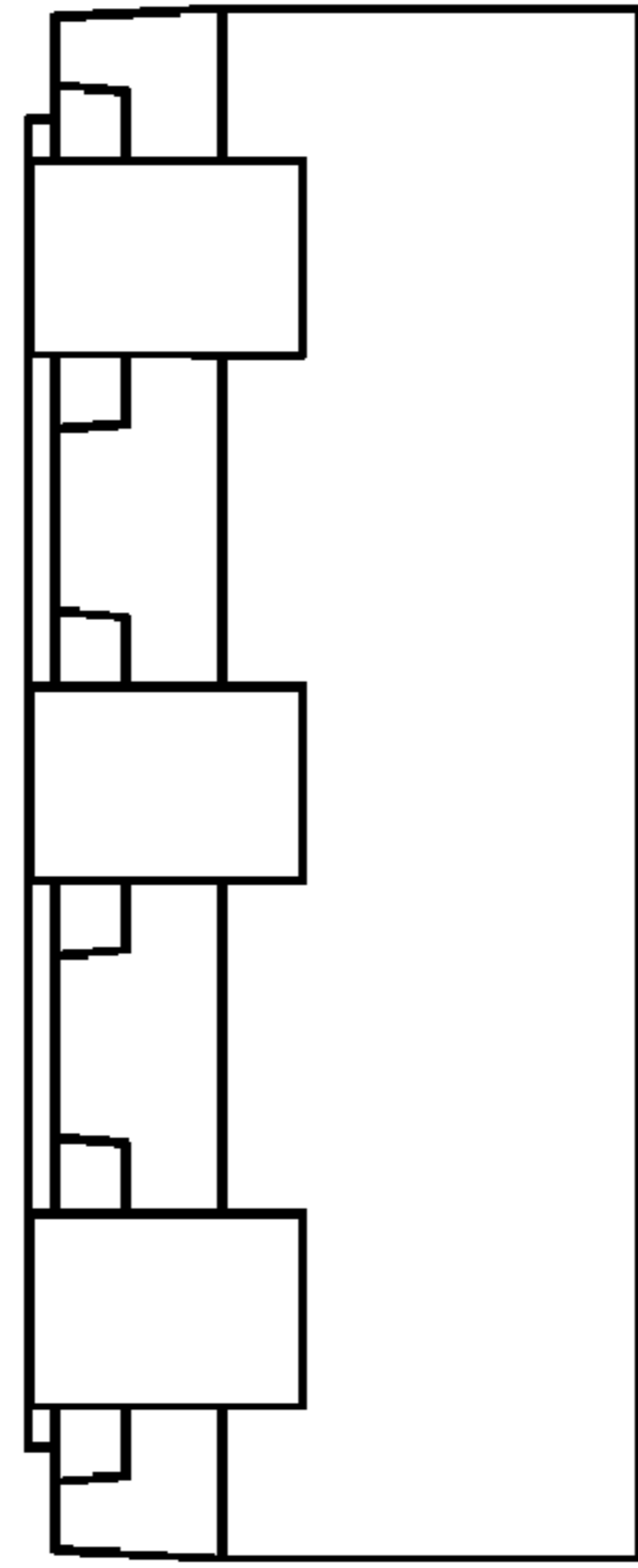


FIG. 5

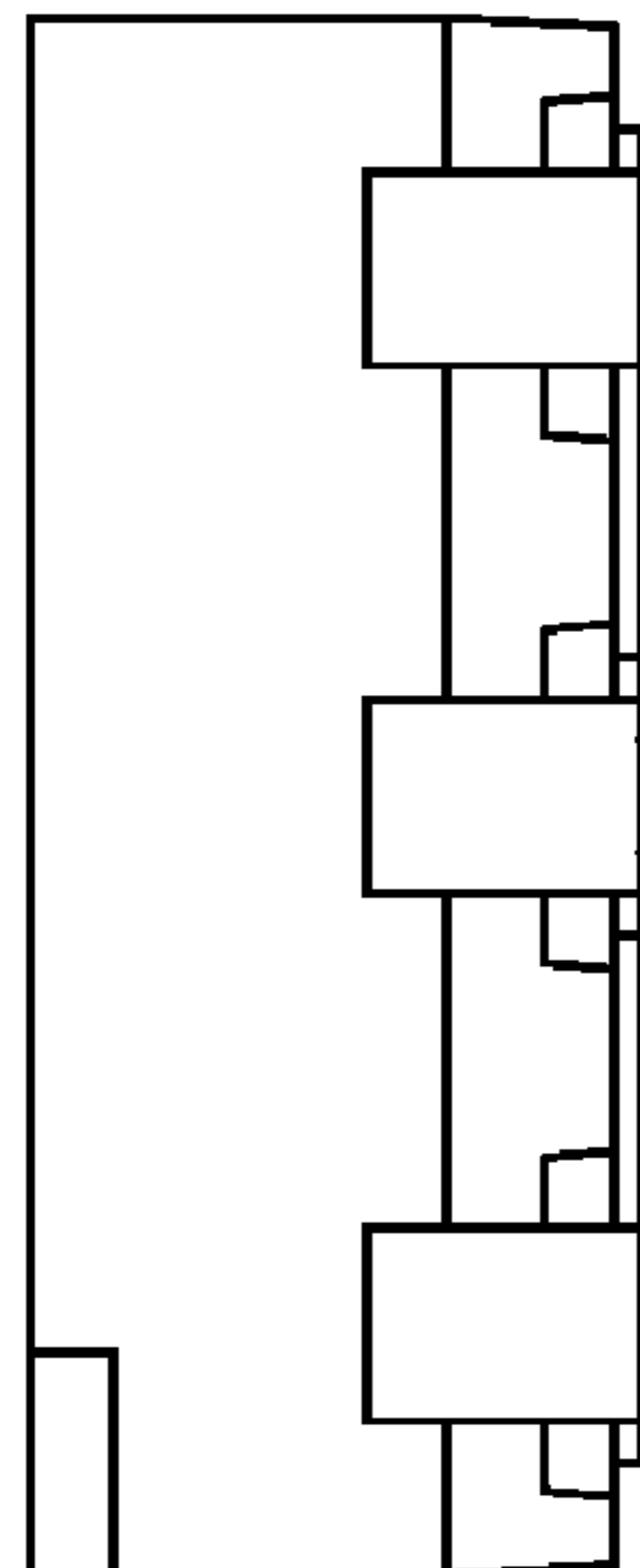


FIG. 6

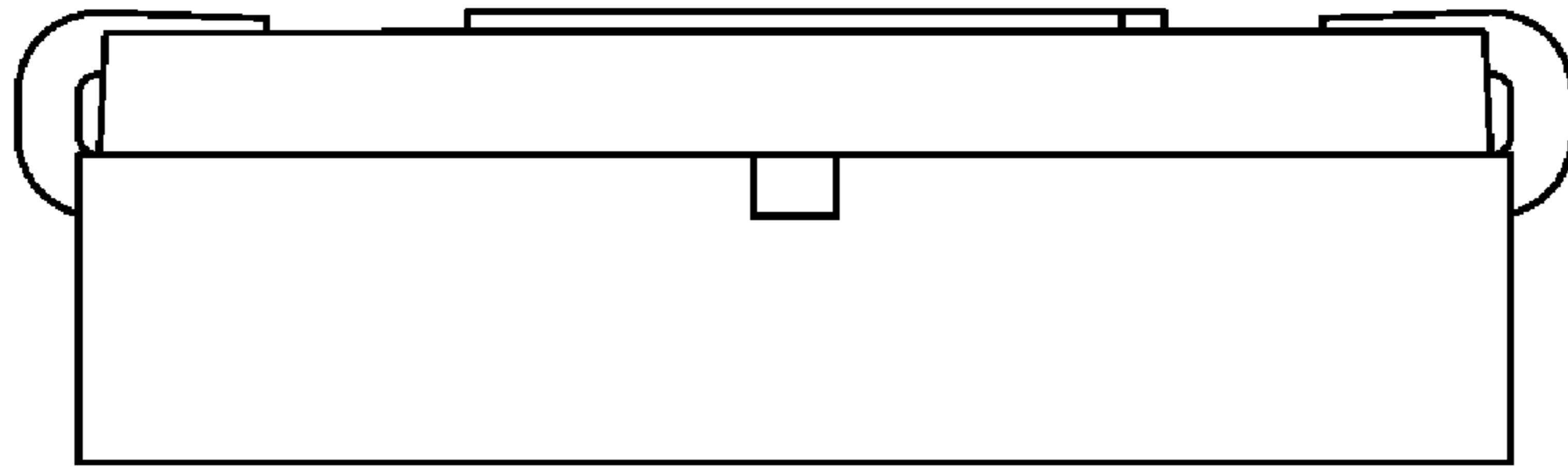


FIG. 7

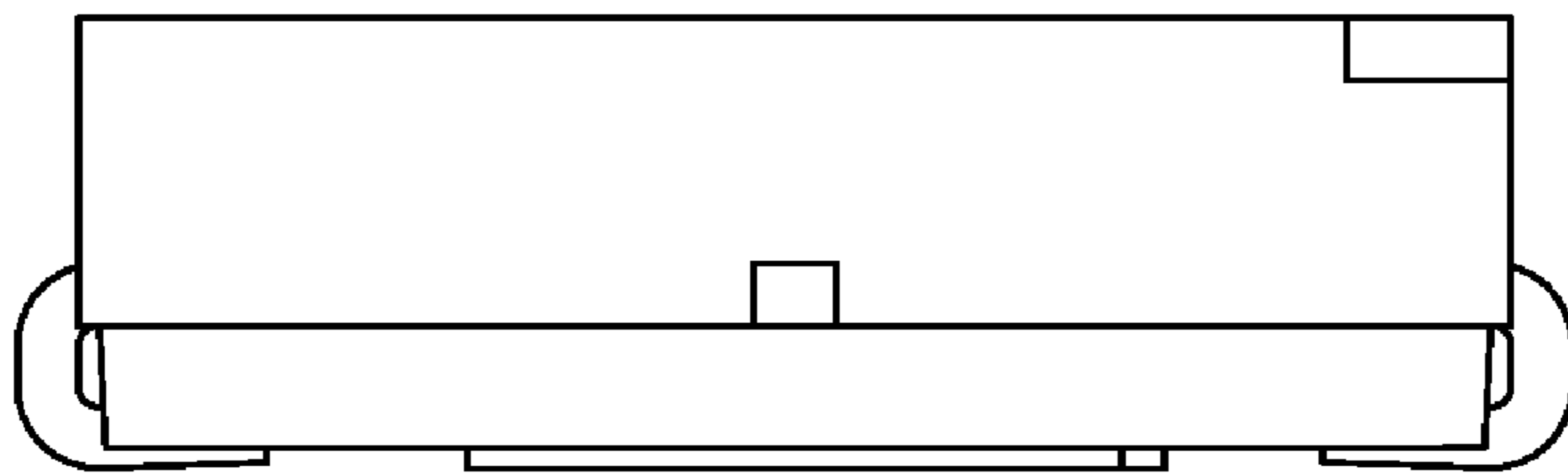


FIG. 8