



US00D611009S

(12) **United States Design Patent**
Hsieh

(10) **Patent No.:** **US D611,009 S**
(45) **Date of Patent:** **** Mar. 2, 2010**

(54) **LIGHT EMITTING DIODE**

(75) Inventor: **Chung-Chuan Hsieh**, Tucheng (TW)

(73) Assignee: **Everlight Electronics Co., Ltd.**,
Tucheng (TW)

(**) Term: **14 Years**

(21) Appl. No.: **29/336,787**

(22) Filed: **May 8, 2009**

Related U.S. Application Data

(63) Continuation of application No. 29/336,754, filed on
May 8, 2009.

(30) **Foreign Application Priority Data**

Nov. 10, 2008 (TW) 97306443

(51) **LOC (9) Cl.** **13-03**

(52) **U.S. Cl.** **D13/180**

(58) **Field of Classification Search** D13/180;
D26/2; 257/79, 80, 81, 88, 89, 95, 98, 99,
257/100, E33.058; 313/483, 498, 500; 362/555,
362/800

See application file for complete search history.

(56) **References Cited**

U.S. PATENT DOCUMENTS

D482,337 S	*	11/2003	Kamada	D13/182
D490,384 S		5/2004	Ishida		
D512,693 S		12/2005	Kim et al.		
D519,943 S	*	5/2006	Kamada	D13/180
D528,999 S		9/2006	Cho et al.		
D537,798 S	*	3/2007	Shin et al.	D13/180
7,242,035 B2		7/2007	Kim et al.		
D558,156 S	*	12/2007	Yoon et al.	D13/180
D565,516 S	*	4/2008	Kamada	D13/180
D579,425 S		10/2008	Yoon et al.		
D597,499 S	*	8/2009	Kokubu et al.	D13/180
D598,872 S	*	8/2009	In et al.	D13/180
2006/0023451 A1		2/2006	Han et al.		

2007/0029564 A1 2/2007 Han et al.

FOREIGN PATENT DOCUMENTS

JP D1177155 4/2003

(Continued)

OTHER PUBLICATIONS

Notice of Allowance dated Oct. 20, 2009 issued in related Patent
Application No. 29336754.

(Continued)

Primary Examiner—Selina Sikder

(74) *Attorney, Agent, or Firm*—Grossman, Tucker, Perreault
& Pflieger, PLLC

(57) **CLAIM**

The ornamental design for a light emitting diode, as shown
and described.

DESCRIPTION

This application is also related to U.S. Design Application
Ser. Nos. 29/336,753 and 29/336,790, both filed May 8, 2009
and titled Light Emitting Diode.

FIG. 1 is a front perspective view of a light emitting diode
showing the claimed design;

FIG. 2 is a rear perspective view thereof;

FIG. 3 is a front elevational view thereof;

FIG. 4 is a rear elevational view thereof;

FIG. 5 is a left side elevational view thereof;

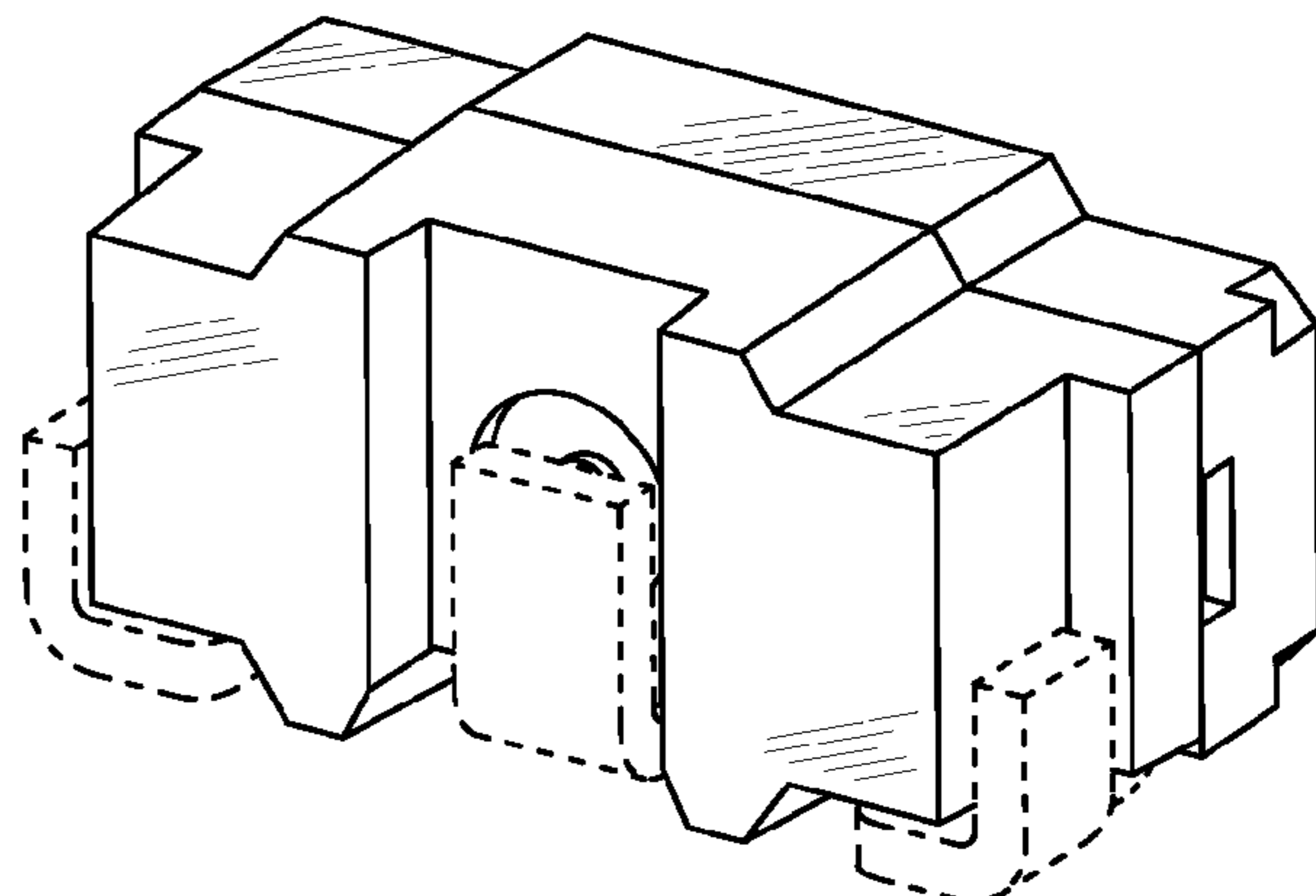
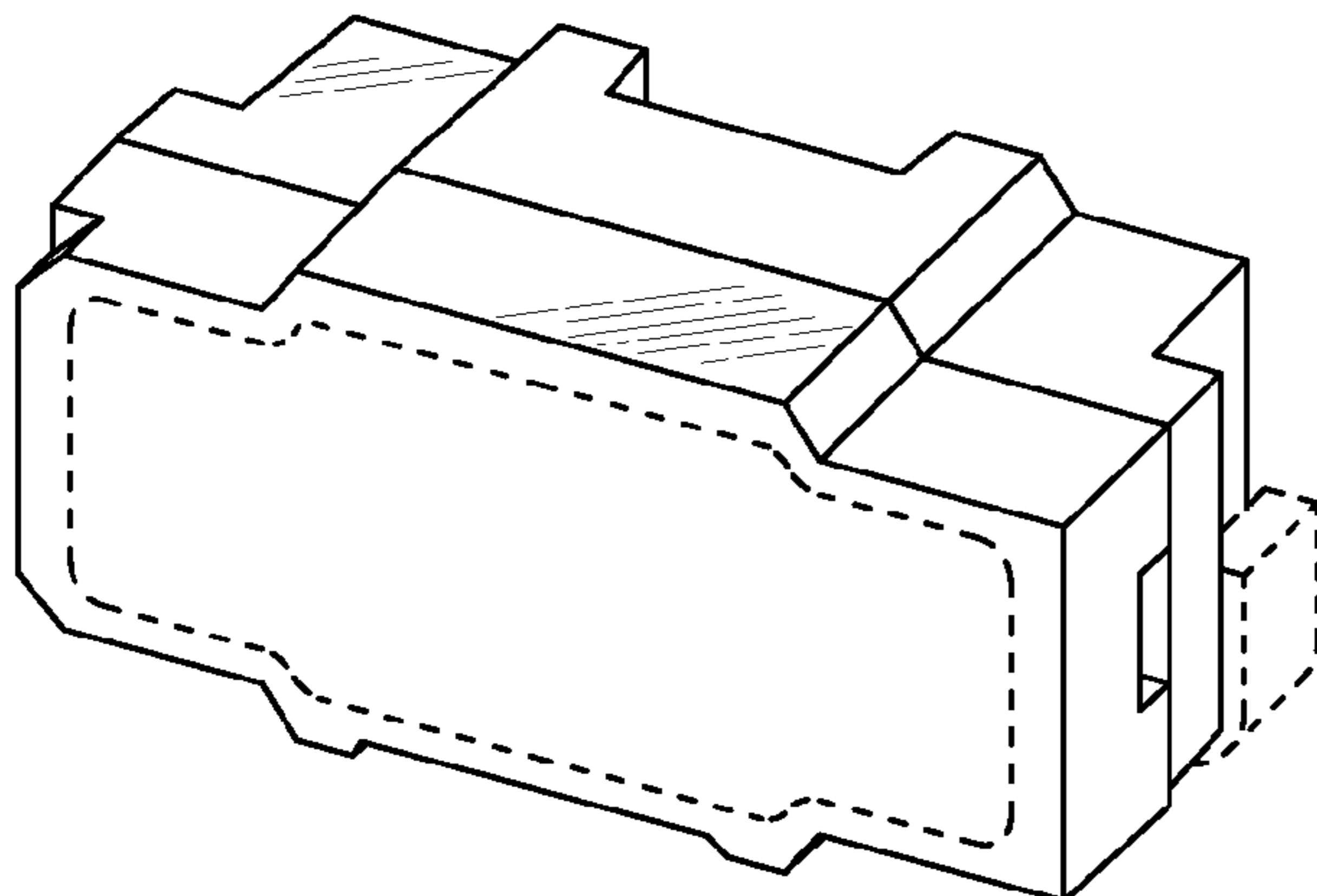
FIG. 6 is a right side elevational view thereof;

FIG. 7 is a top plan view thereof; and,

FIG. 8 is a bottom plan view thereof.

The broken lines immediately adjacent to the shaded areas,
which encompass unshaded regions, represent the bounds of
the claimed design and/or the element of the claimed design
while all other broken lines are directed to environment and
are for illustrative purposes only; the broken lines form no
part of the claimed design.

1 Claim, 5 Drawing Sheets



US D611,009 S

Page 2

FOREIGN PATENT DOCUMENTS

JP	D1261967	12/2005
JP	D1288463	12/2006
KR	300431311	11/2006
KR	300446699	10/2007
KR	300464940	10/2007
KR	300465248	10/2007
KR	300475171	1/2008
KR	300488717	4/2008
TW	575349	12/2001

OTHER PUBLICATIONS

Notice of Allowance dated Oct. 13, 2009 issued in related Patent Application No. 29336790.

Notice of Allowance dated Oct. 13, 2009 issued in related Patent Application No. 29336753.

Taiwanese Search Report dated Sep. 14, 2009 issued in related Taiwanese Patent Application No. 97306443.

Taiwanese Search Report dated Sep. 14, 2009 issued in related Taiwanese Patent Application No. 97306444.

* cited by examiner

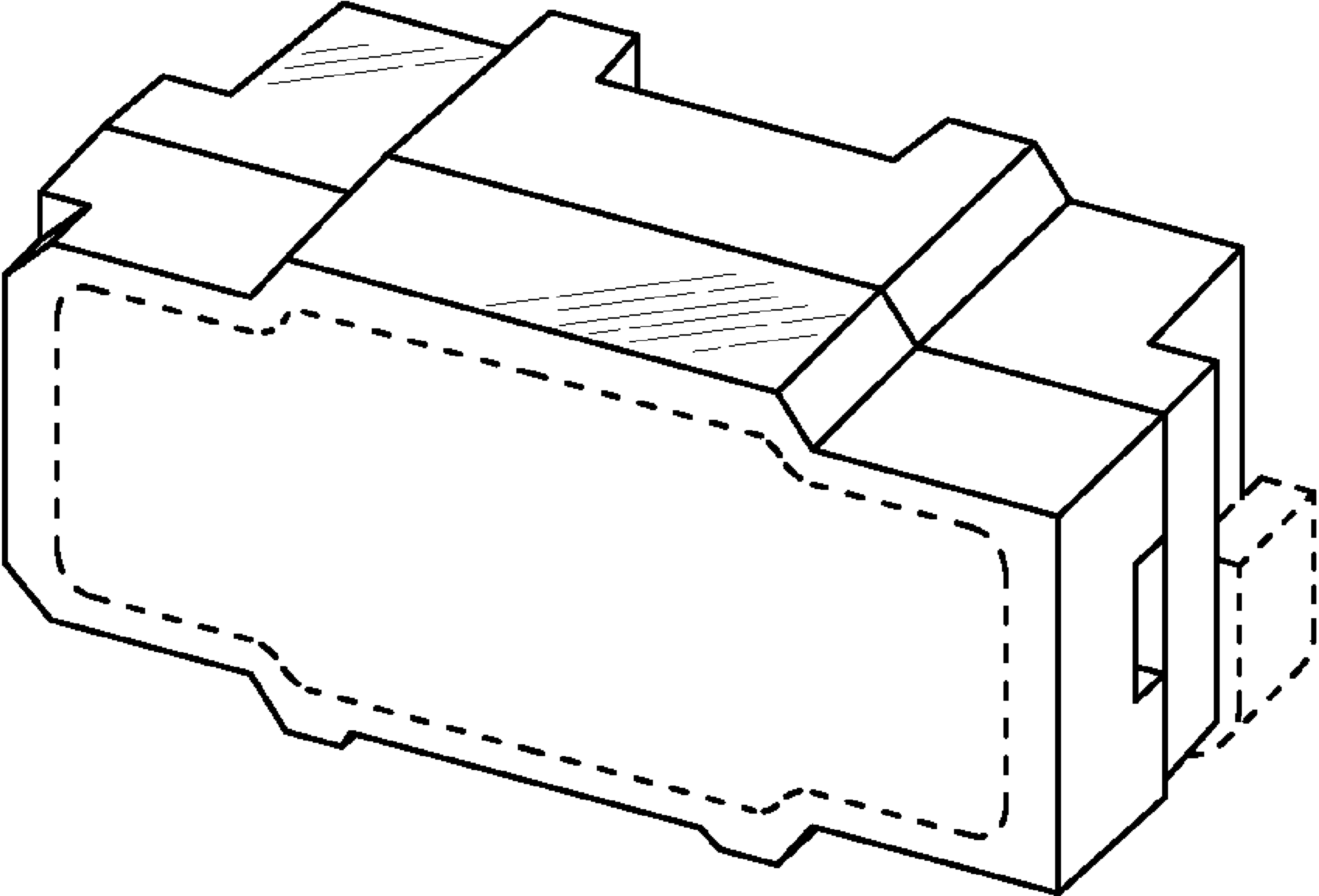


FIG. 1

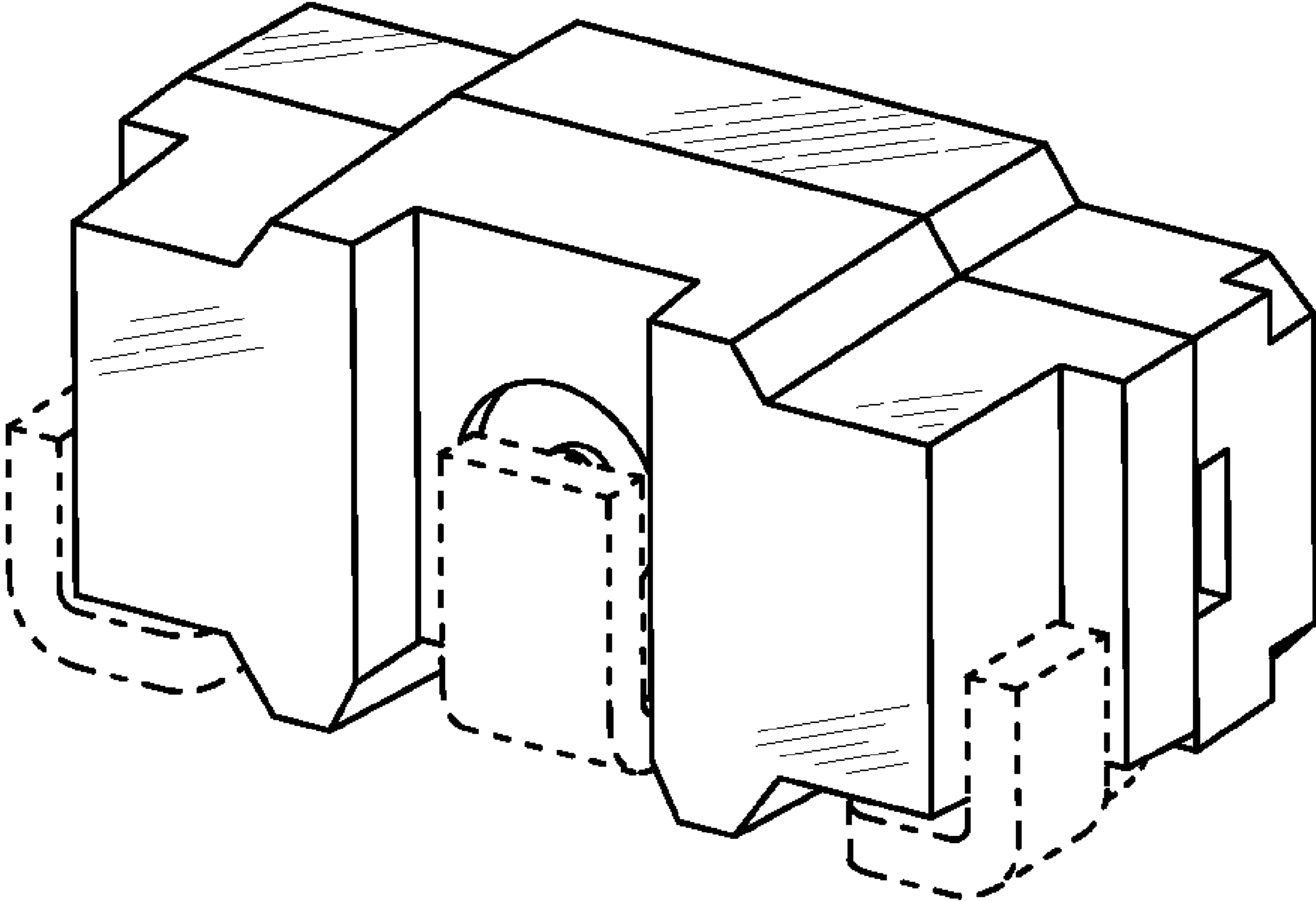


FIG. 2

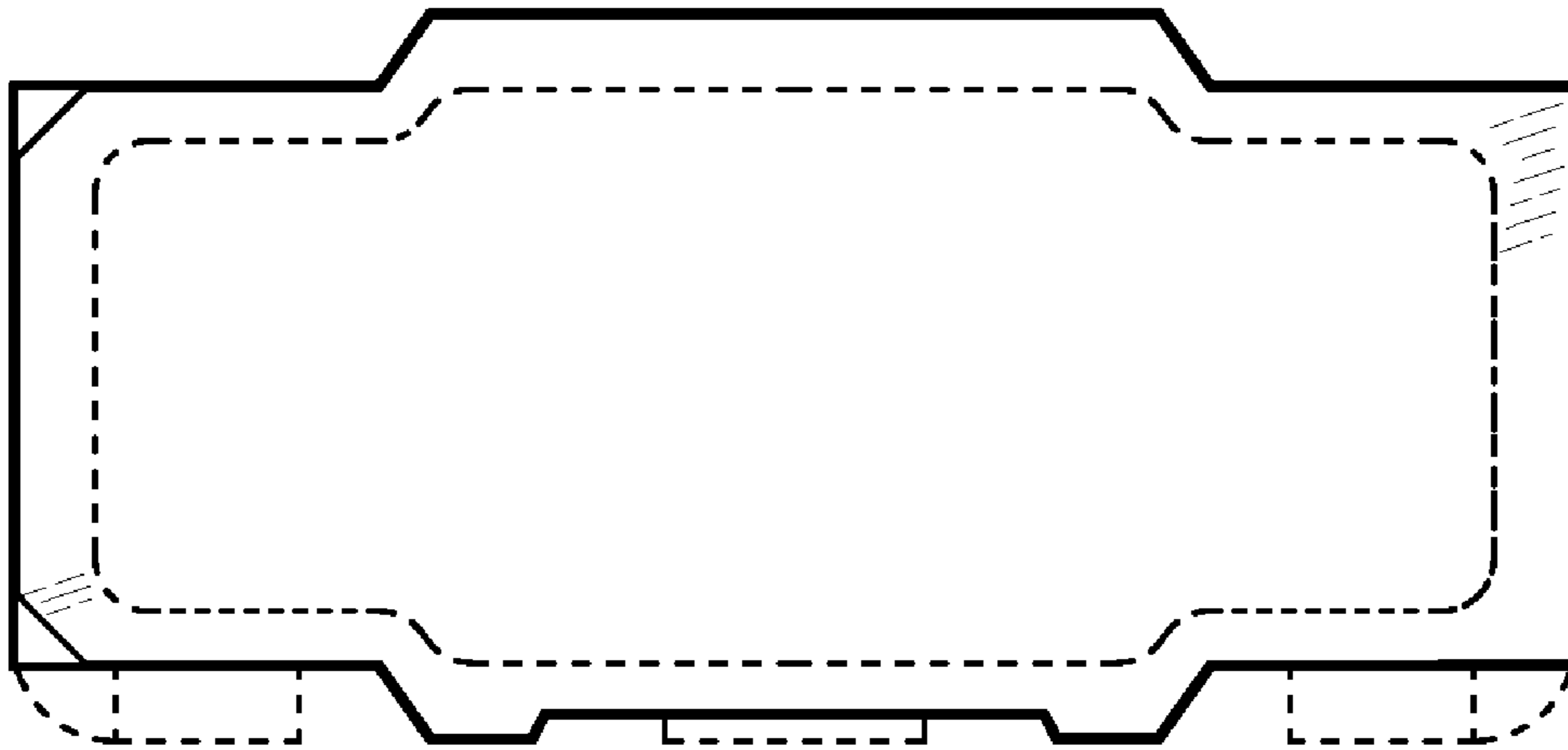


FIG. 3

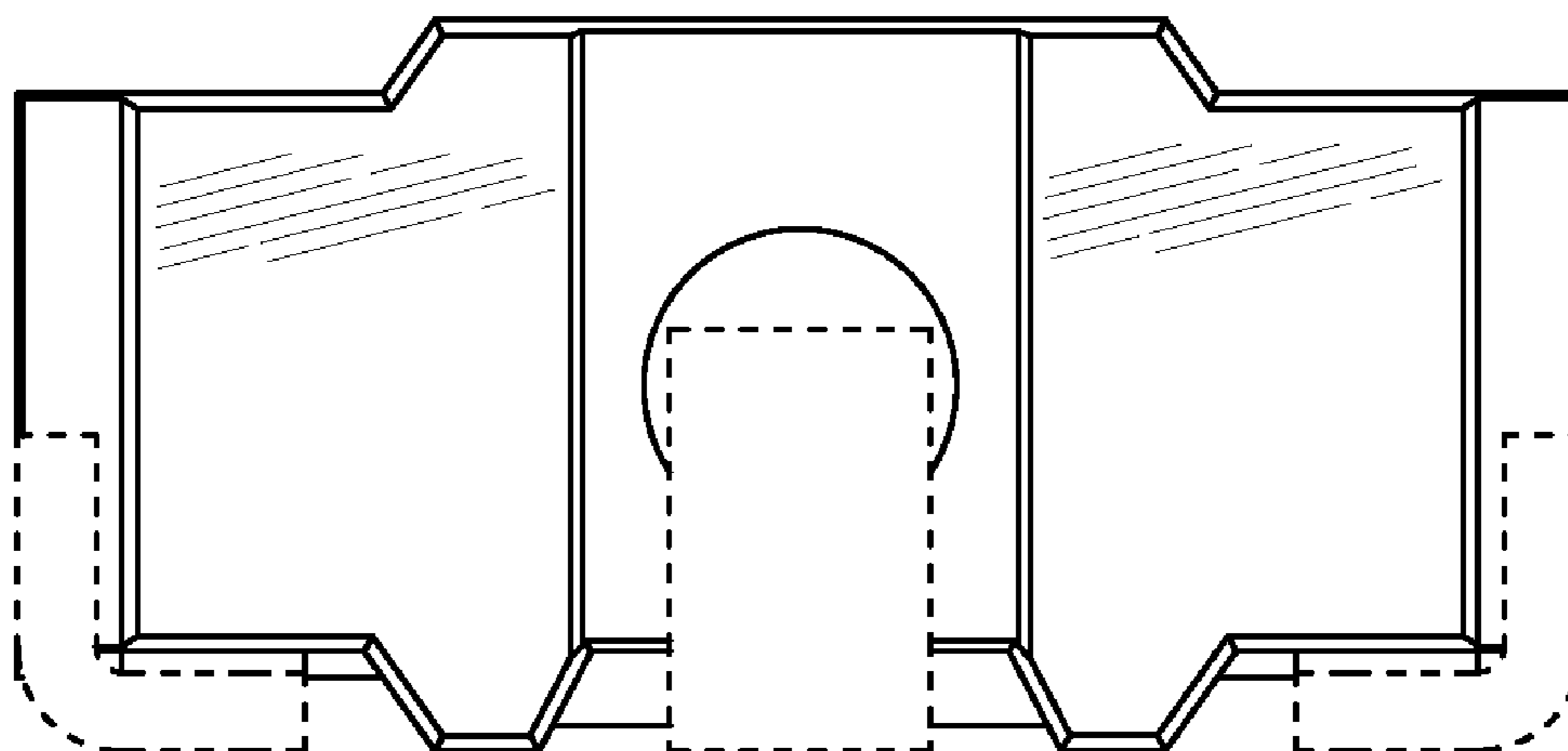


FIG. 4

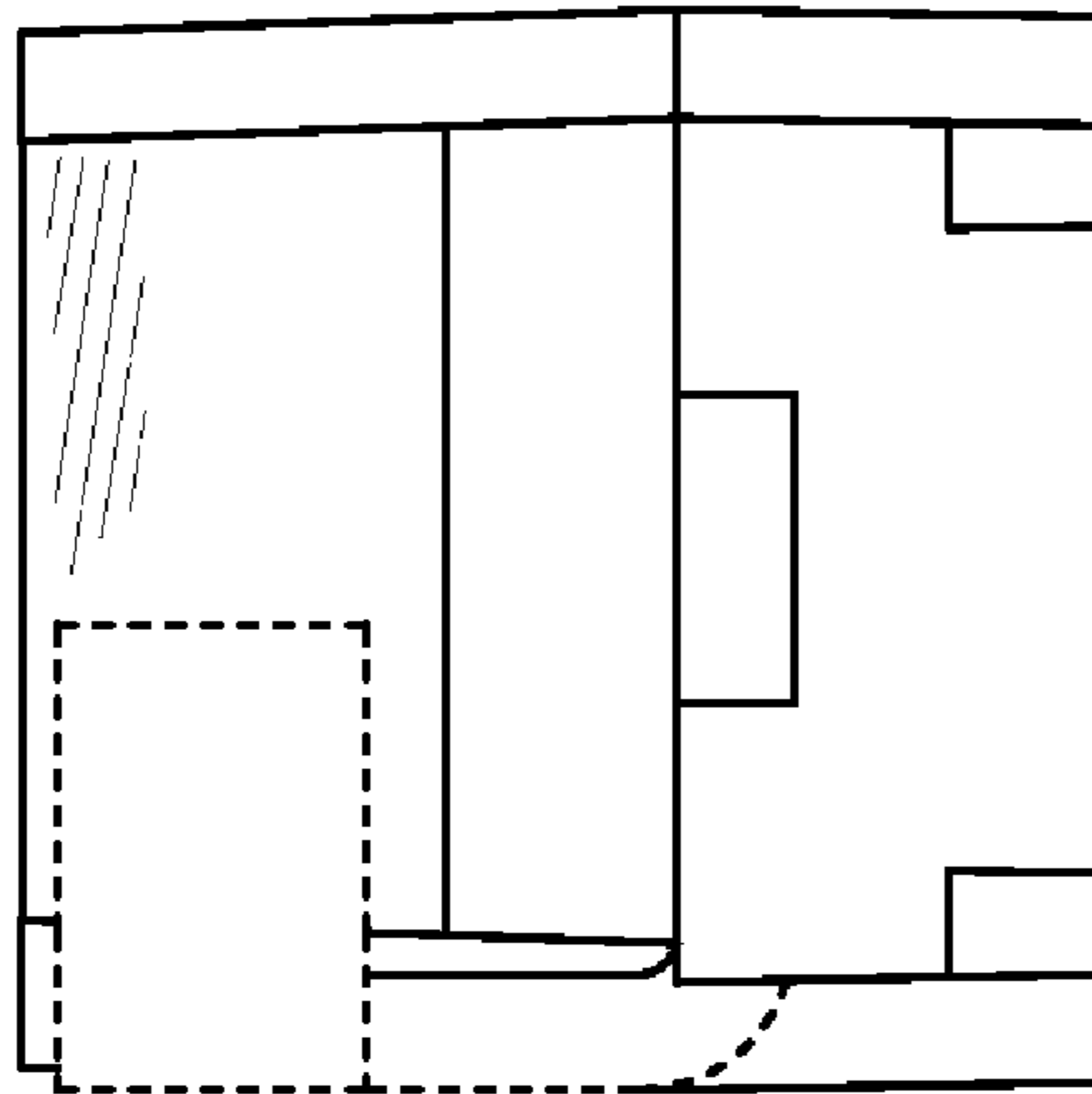


FIG. 5

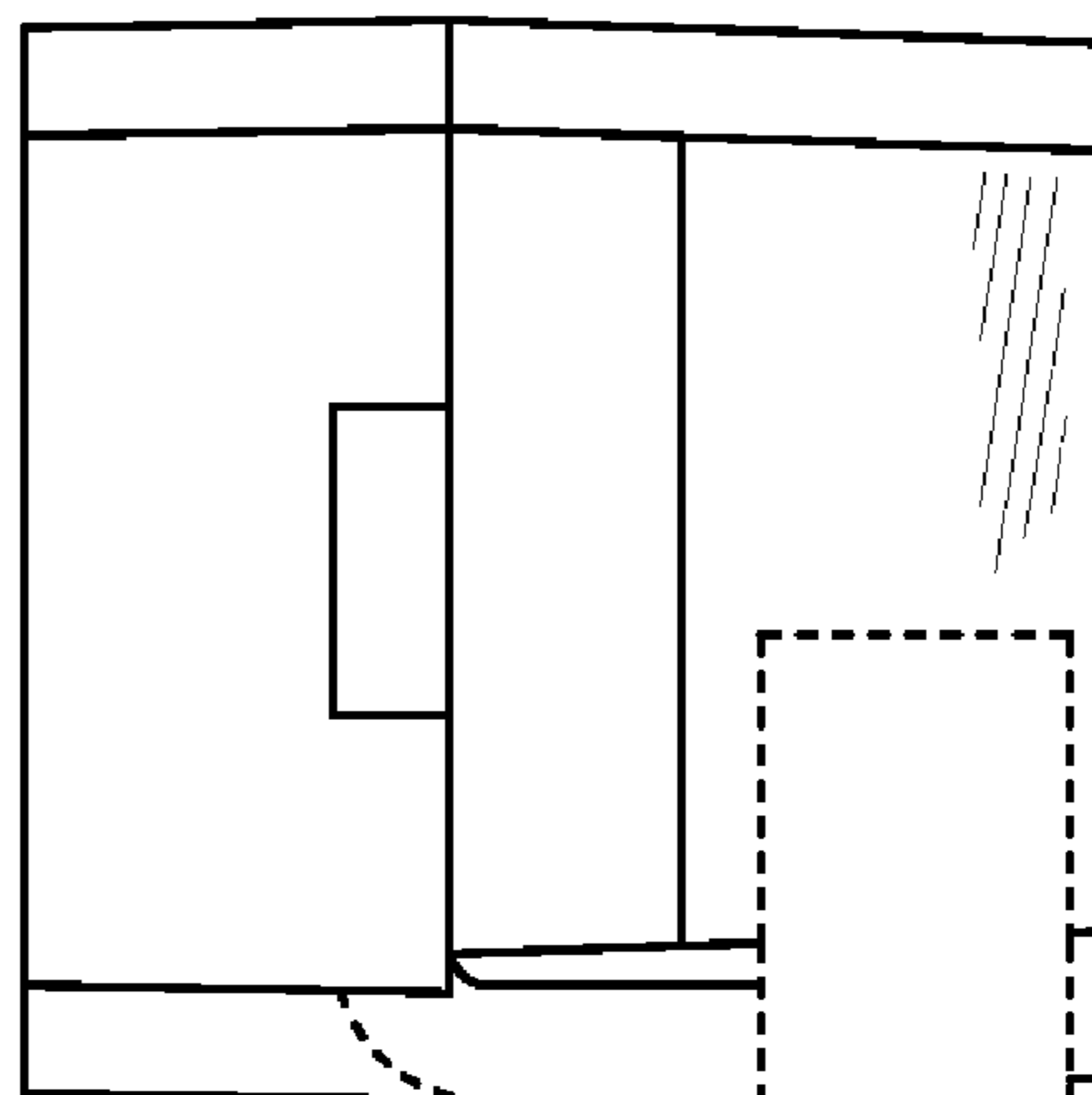


FIG. 6

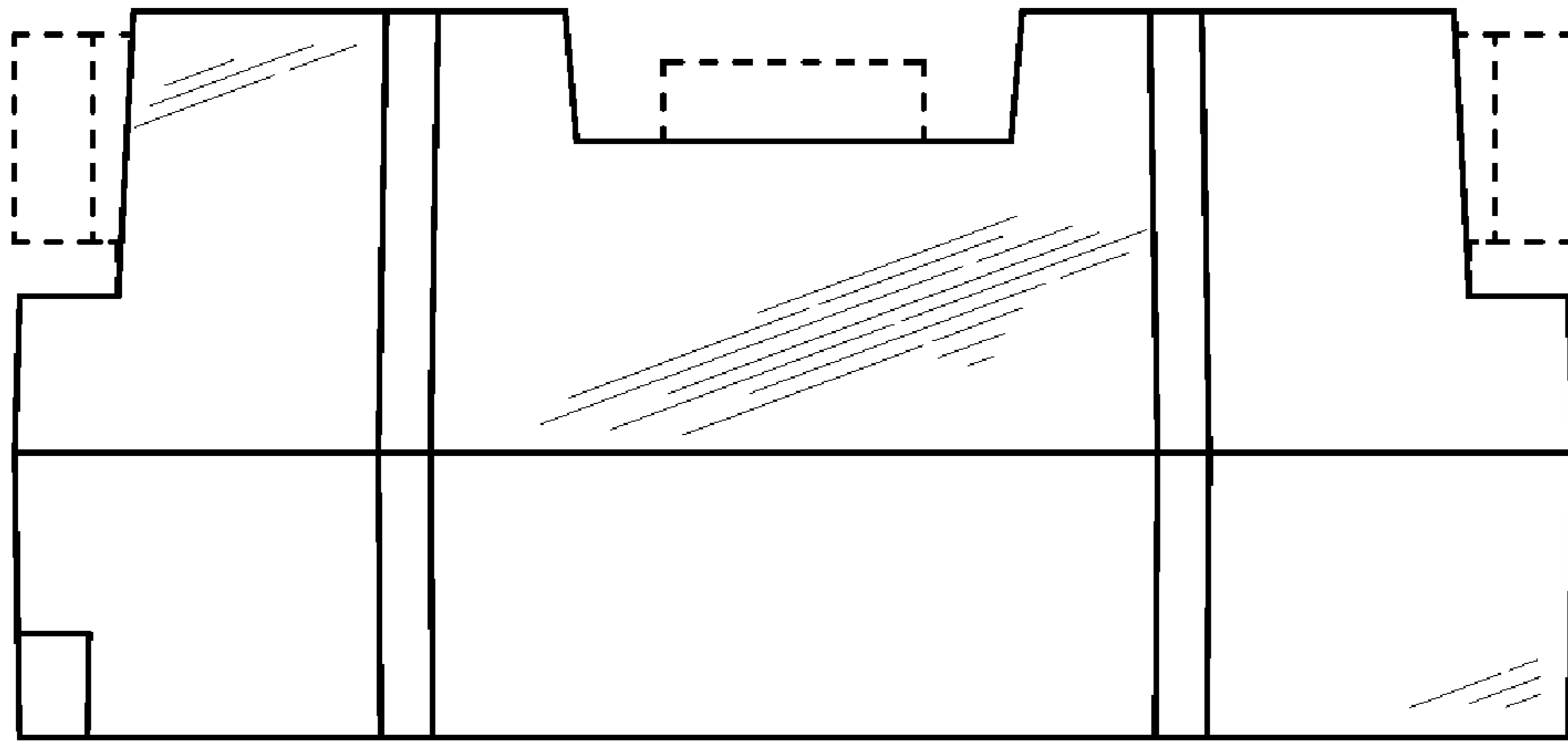


FIG. 7

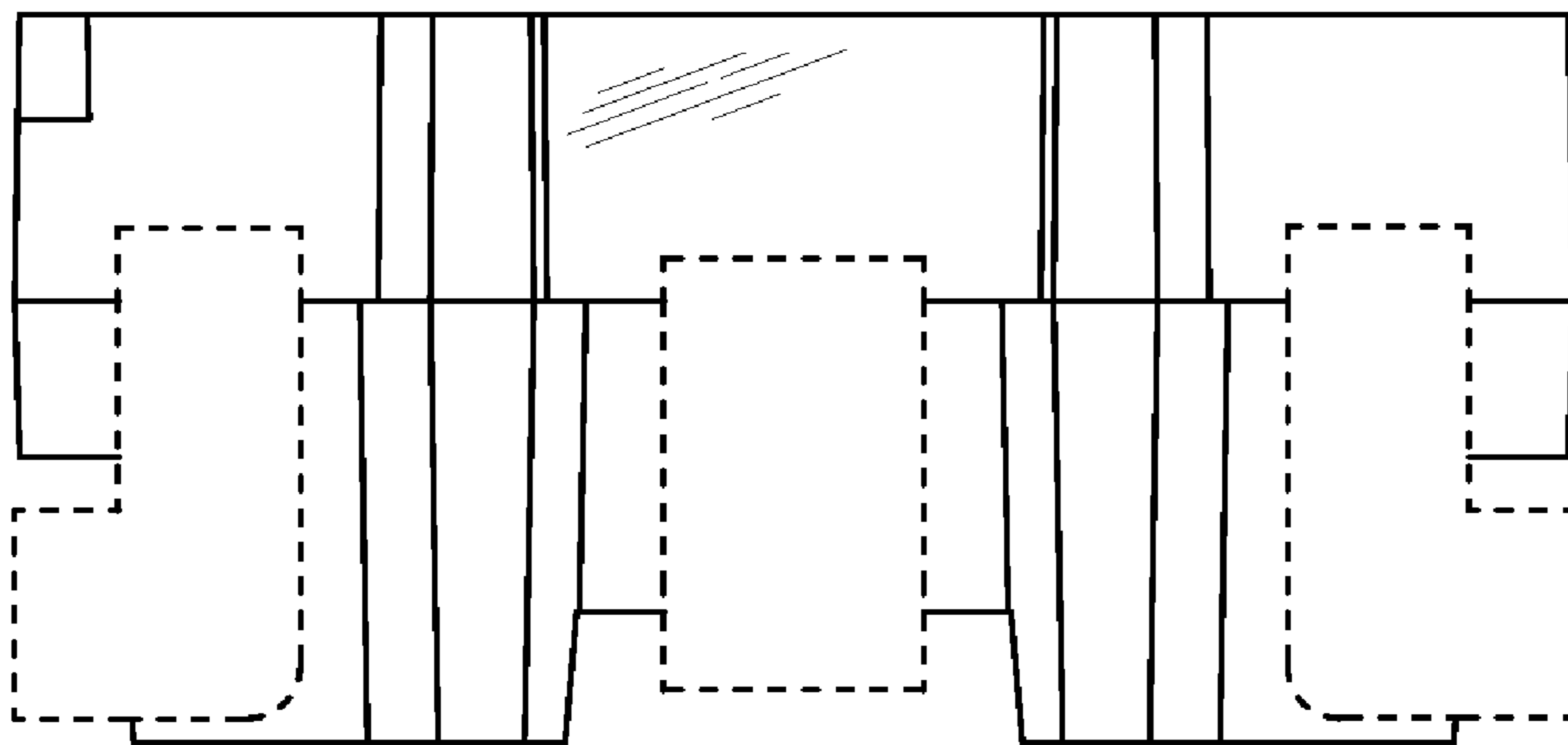


FIG. 8