



US00D611008S

(12) **United States Design Patent**  
**Hsieh**

(10) **Patent No.:** **US D611,008 S**  
(45) **Date of Patent:** **\*\* Mar. 2, 2010**

(54) **LIGHT EMITTING DIODE**

(75) Inventor: **Chung-Chuan Hsieh**, Tucheng (TW)

(73) Assignee: **Everlight Electronics Co., Ltd.**,  
Tucheng (TW)

(\*\*) Term: **14 Years**

(21) Appl. No.: **29/336,754**

(22) Filed: **May 8, 2009**

(30) **Foreign Application Priority Data**

Nov. 10, 2008 (TW) ..... 97306443

(51) **LOC (9) Cl.** ..... **13-03**

(52) **U.S. Cl.** ..... **D13/180**

(58) **Field of Classification Search** ..... D13/180;  
D26/2; 257/79, 80, 81, 88, 89, 95, 98, 99,  
257/100, E33.058; 313/483, 498, 500; 362/555,  
362/800

See application file for complete search history.

(56) **References Cited**

**U.S. PATENT DOCUMENTS**

D482,337 S *	11/2003	Kamada	.....	D13/182
D490,384 S	5/2004	Ishida		
D512,693 S	12/2005	Kim et al.		
D519,943 S *	5/2006	Kamada	.....	D13/180
D528,999 S	9/2006	Cho et al.		
D537,798 S *	3/2007	Shin et al.	.....	D13/180
7,242,035 B2	7/2007	Kim et al.		
D558,156 S *	12/2007	Yoon et al.	.....	D13/180
D565,516 S *	4/2008	Kamada	.....	D13/180
D579,425 S	10/2008	Yoon et al.		
D597,499 S *	8/2009	Kokubu et al.	.....	D13/180
D598,872 S *	8/2009	In et al.	.....	D13/180
2006/0023451 A1	2/2006	Han et al.		
2007/0029564 A1	2/2007	Han et al.		

**FOREIGN PATENT DOCUMENTS**

JP	D1177155	4/2003
JP	D1261967	12/2005

JP	D1288463	12/2006
KR	300431311	11/2006
KR	300446699	10/2007
KR	300464940	10/2007
KR	300465248	10/2007
KR	300475171	1/2008
KR	300488717	4/2008
TW	575349	12/2001

**OTHER PUBLICATIONS**

Notice of Allowance dated Oct. 20, 2009 issued in related U.S. Appl. No. 29/336,787.

(Continued)

*Primary Examiner*—Selina Sikder

(74) *Attorney, Agent, or Firm*—Grossman, Tucker, Perreault & Pflieger, PLLC

(57) **CLAIM**

The ornamental design for a light emitting diode, as shown and described.

**DESCRIPTION**

This application is related to U.S. Design application Ser. Nos. 29/336,787, 29/336,753 and 29/336,790, all filed May 8, 2009 and titled Light Emitting Diode.

FIG. 1 is a front perspective view of a light emitting diode showing the claimed design;

FIG. 2 is a rear perspective view thereof;

FIG. 3 is a front elevational view thereof;

FIG. 4 is a rear elevational view thereof;

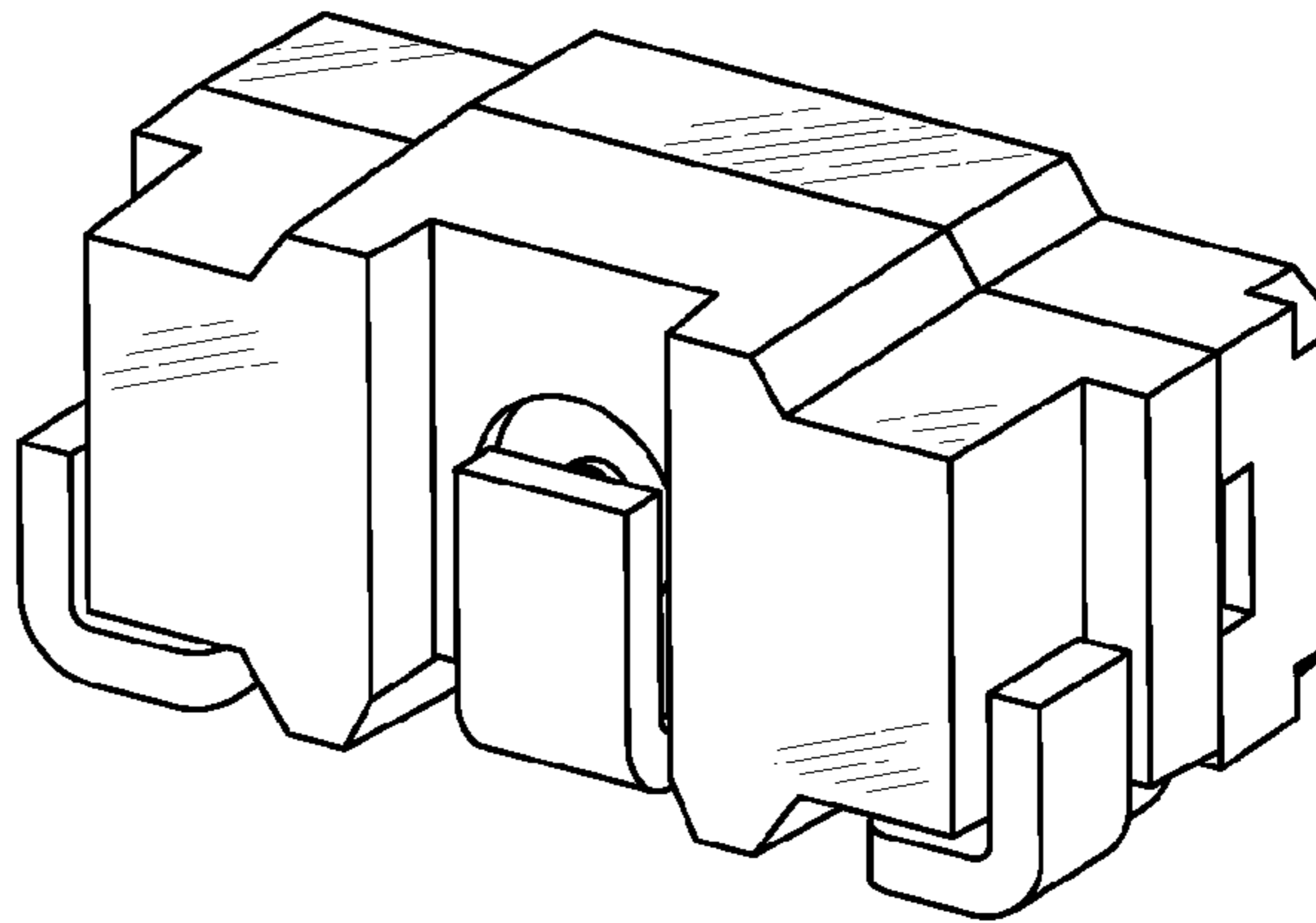
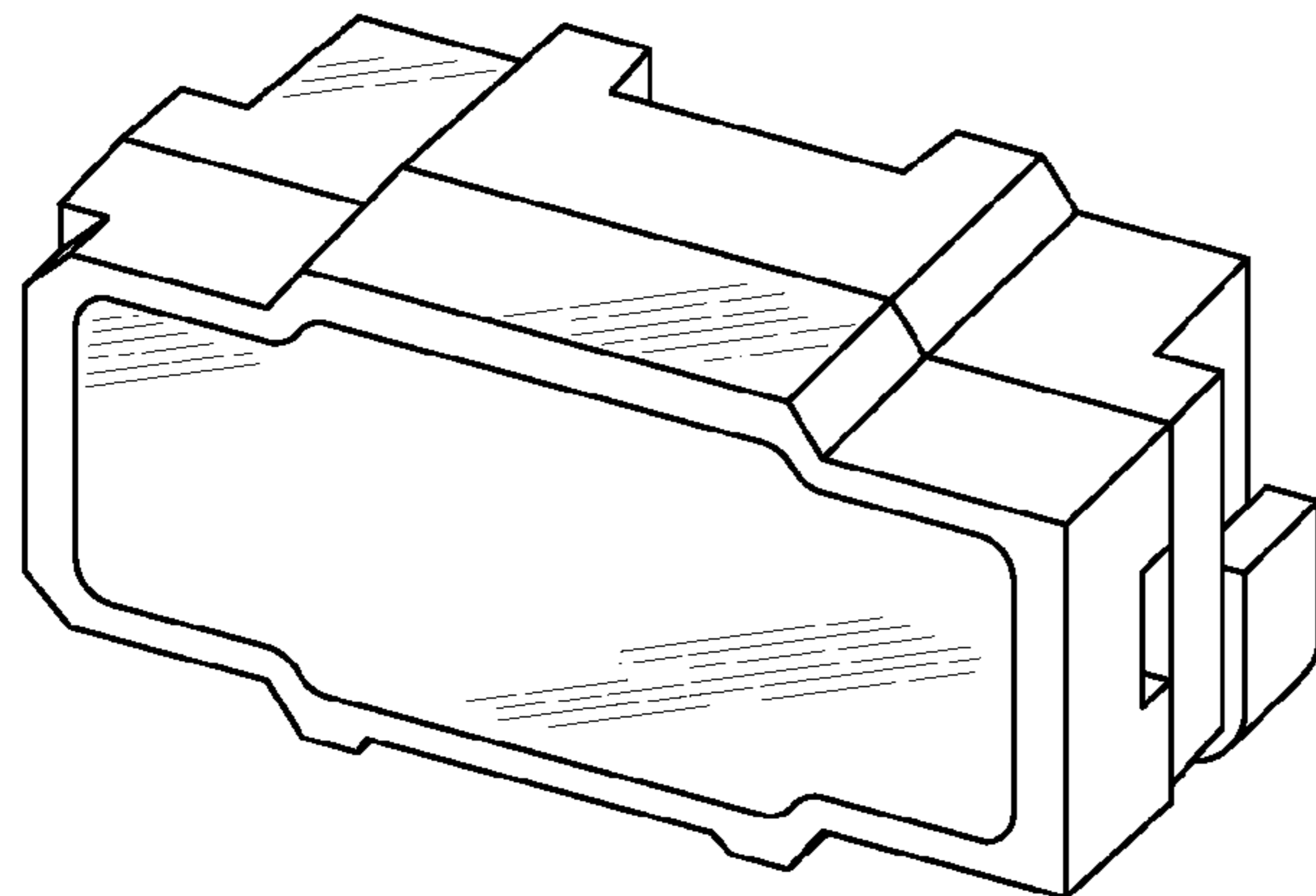
FIG. 5 is a left side elevational view thereof;

FIG. 6 is a right side elevational view thereof;

FIG. 7 is a top plan view thereof; and,

FIG. 8 is a bottom plan view thereof.

**1 Claim, 5 Drawing Sheets**



OTHER PUBLICATIONS

Notice of Allowance dated Oct. 13, 2009 issued in related U.S. Appl.  
No. 29/336,790.

Notice of Allowance dated Oct. 13, 2009 issued in related U.S. Appl.  
No. 29/336,753.

Taiwanese Search Report dated Sep. 14, 2009 issued in related Tai-  
wanese Patent Application No. 97306443.

Taiwanese Search Report dated Sep. 14, 2009 issued in related Tai-  
wanese Patent Application No. 97306444.

\* cited by examiner

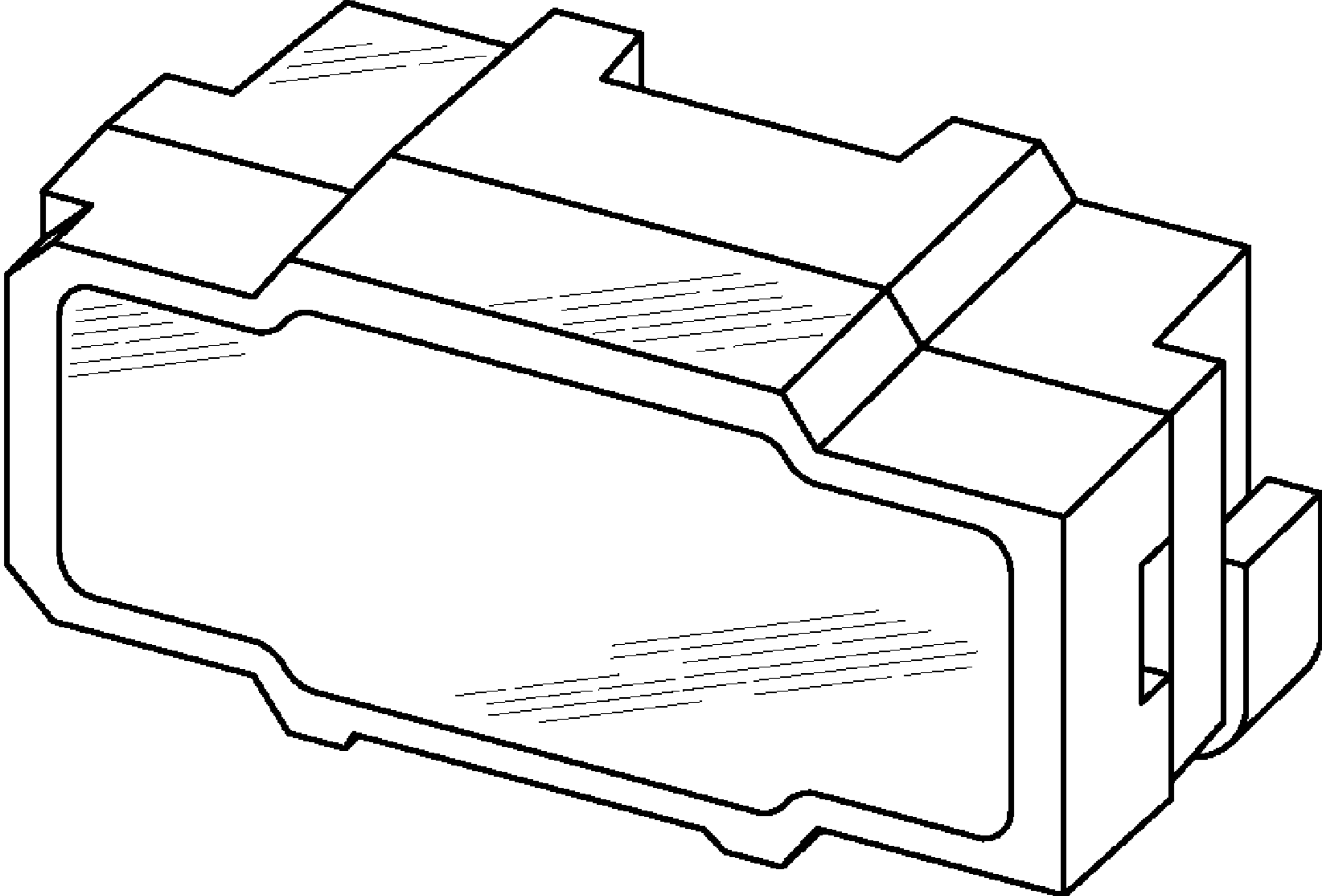


FIG. 1

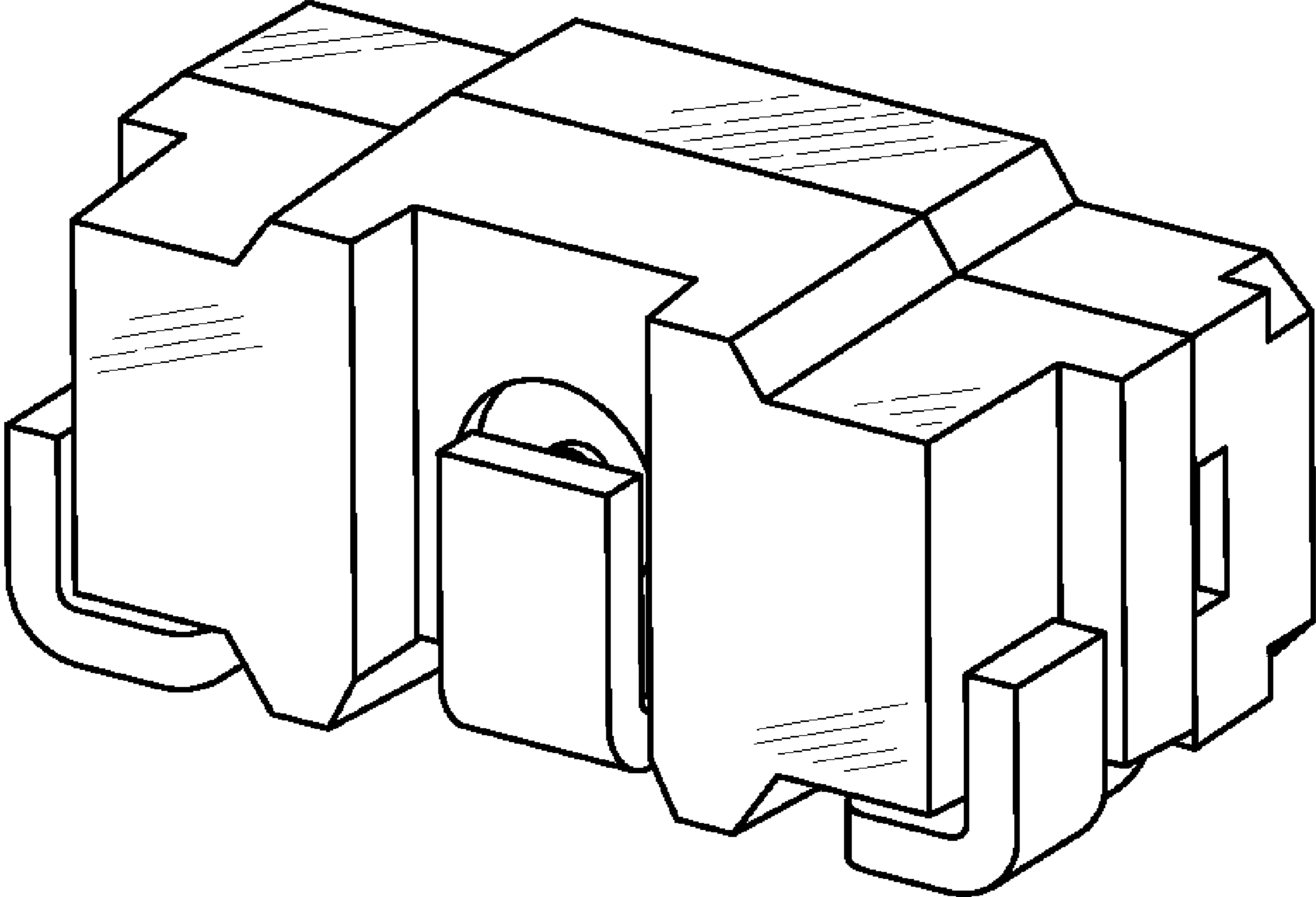


FIG. 2

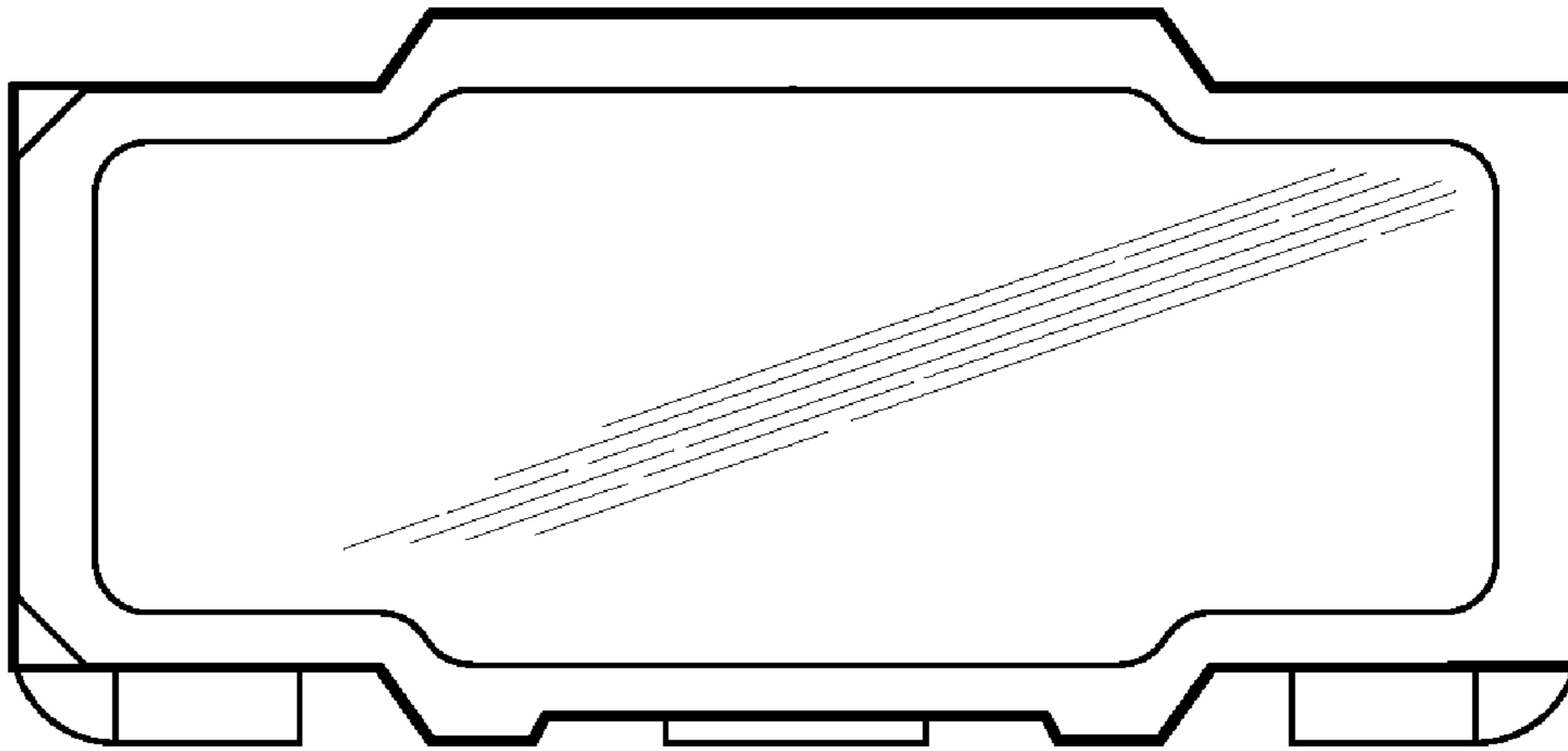


FIG. 3

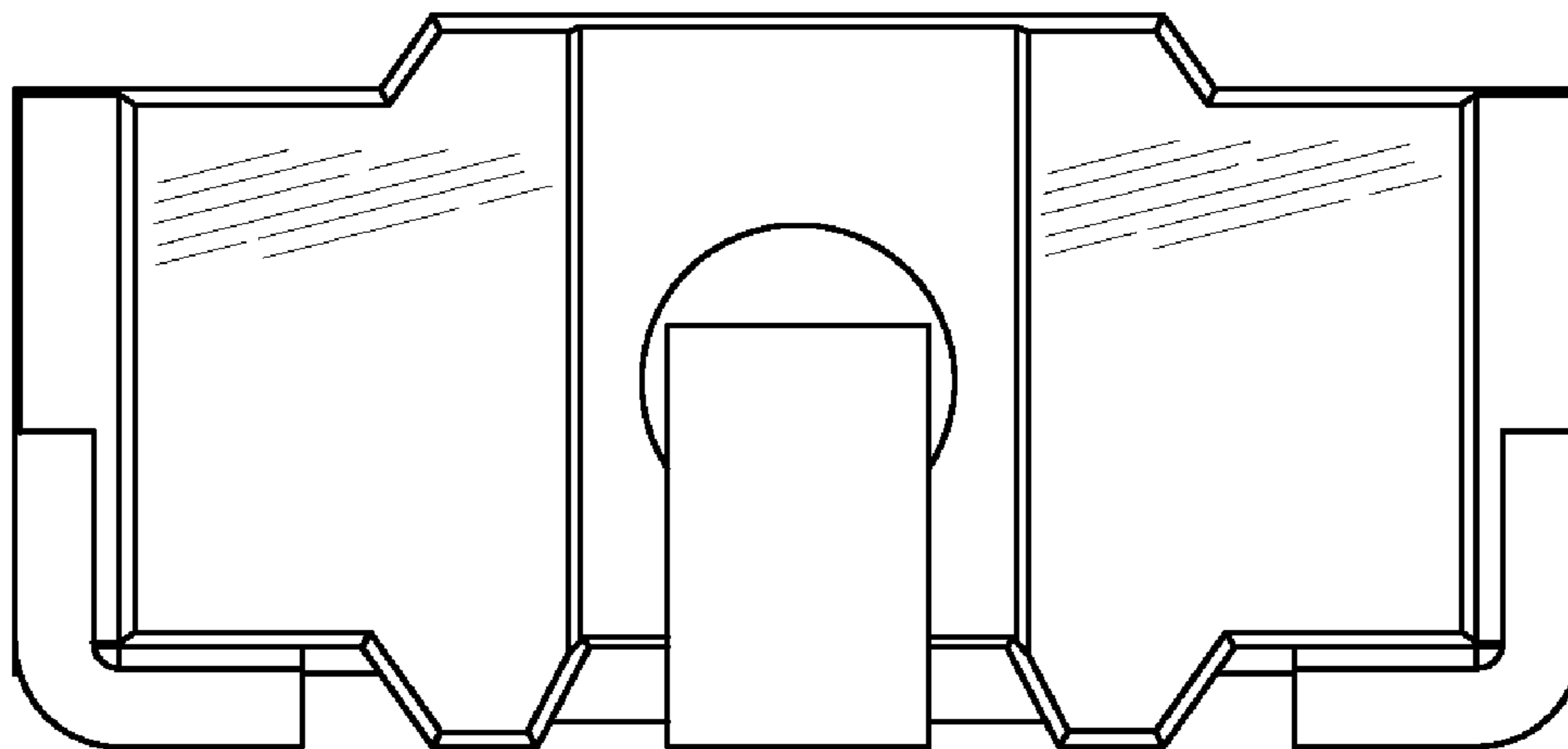


FIG. 4

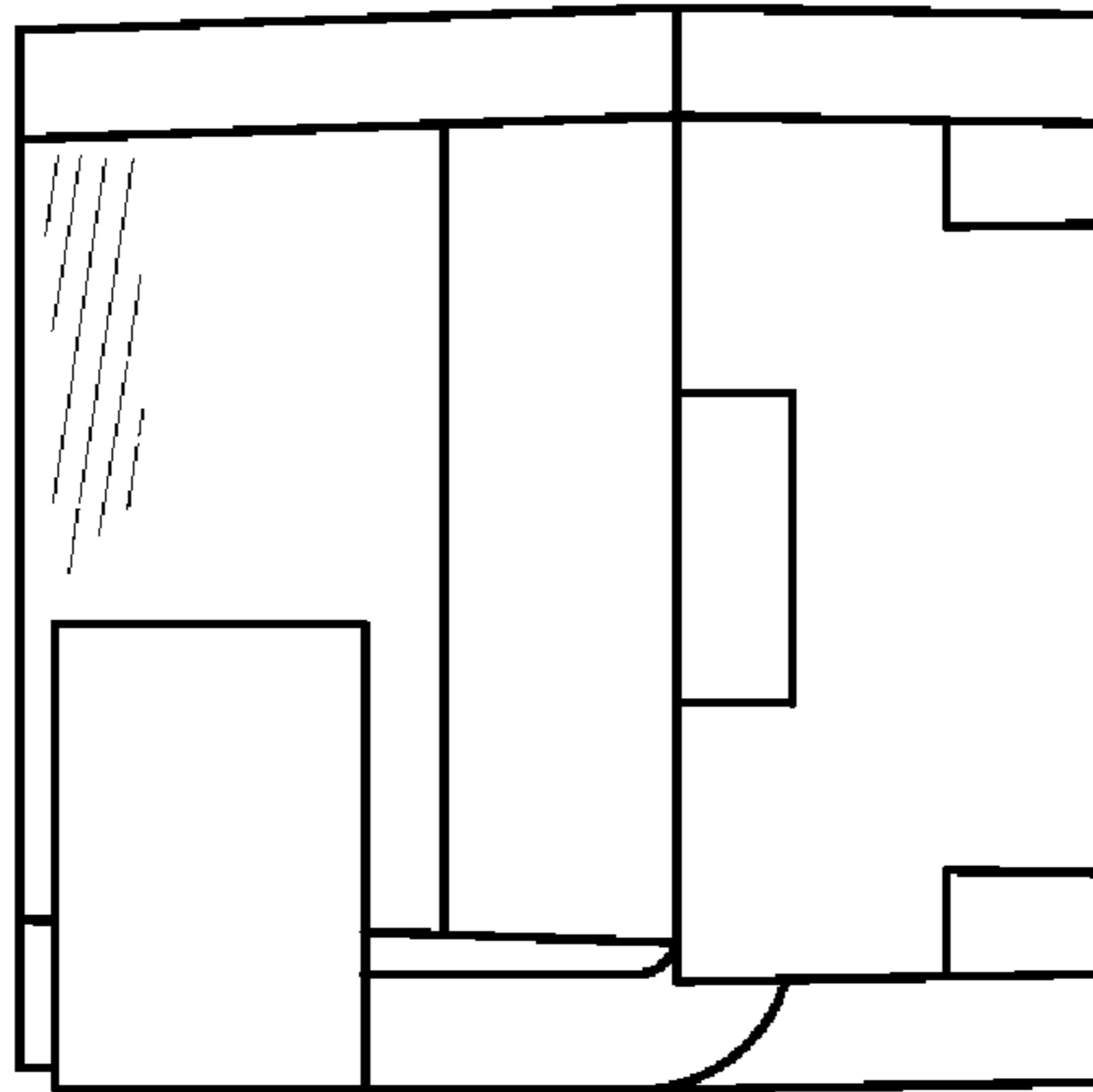


FIG. 5

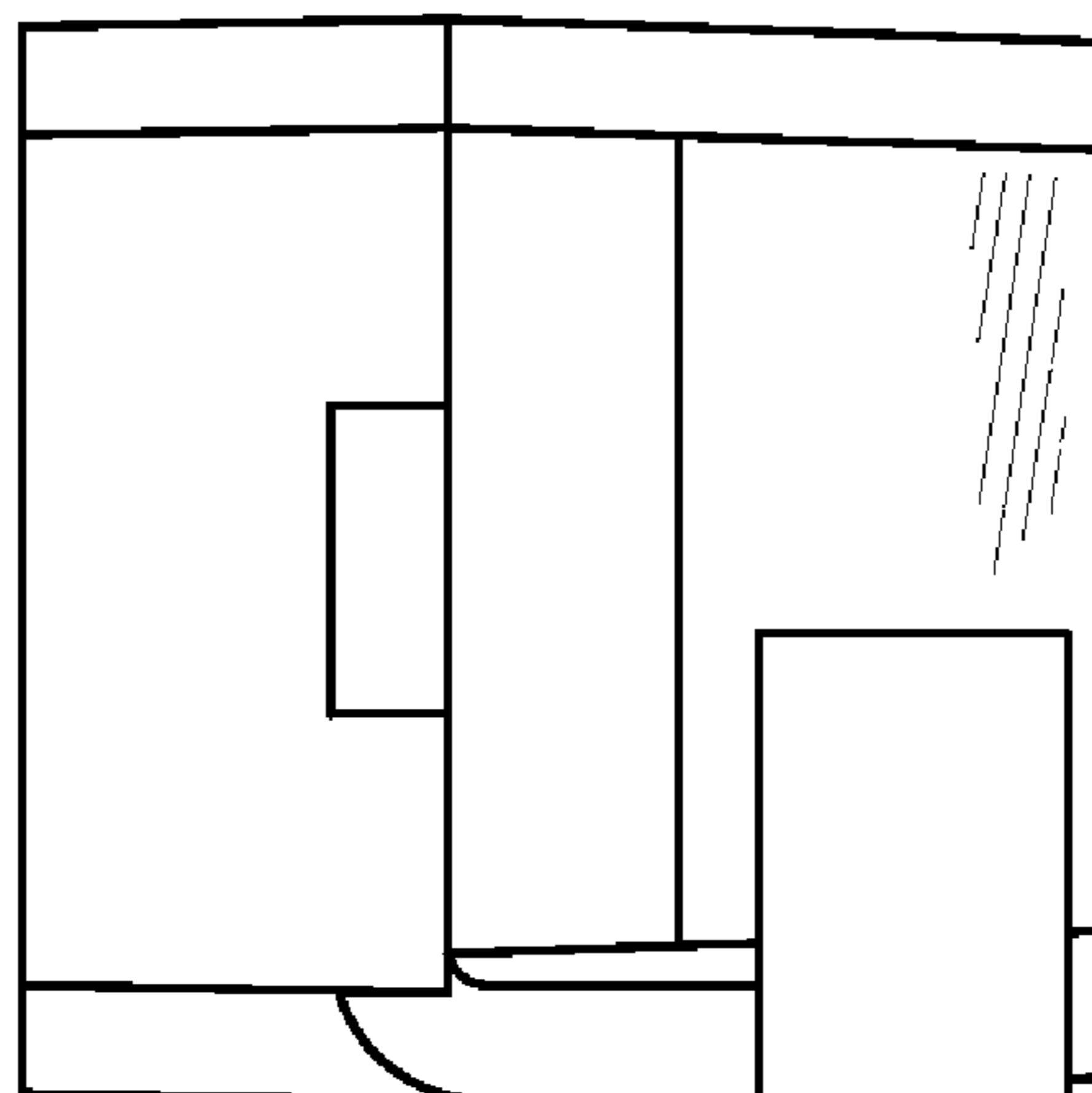


FIG. 6

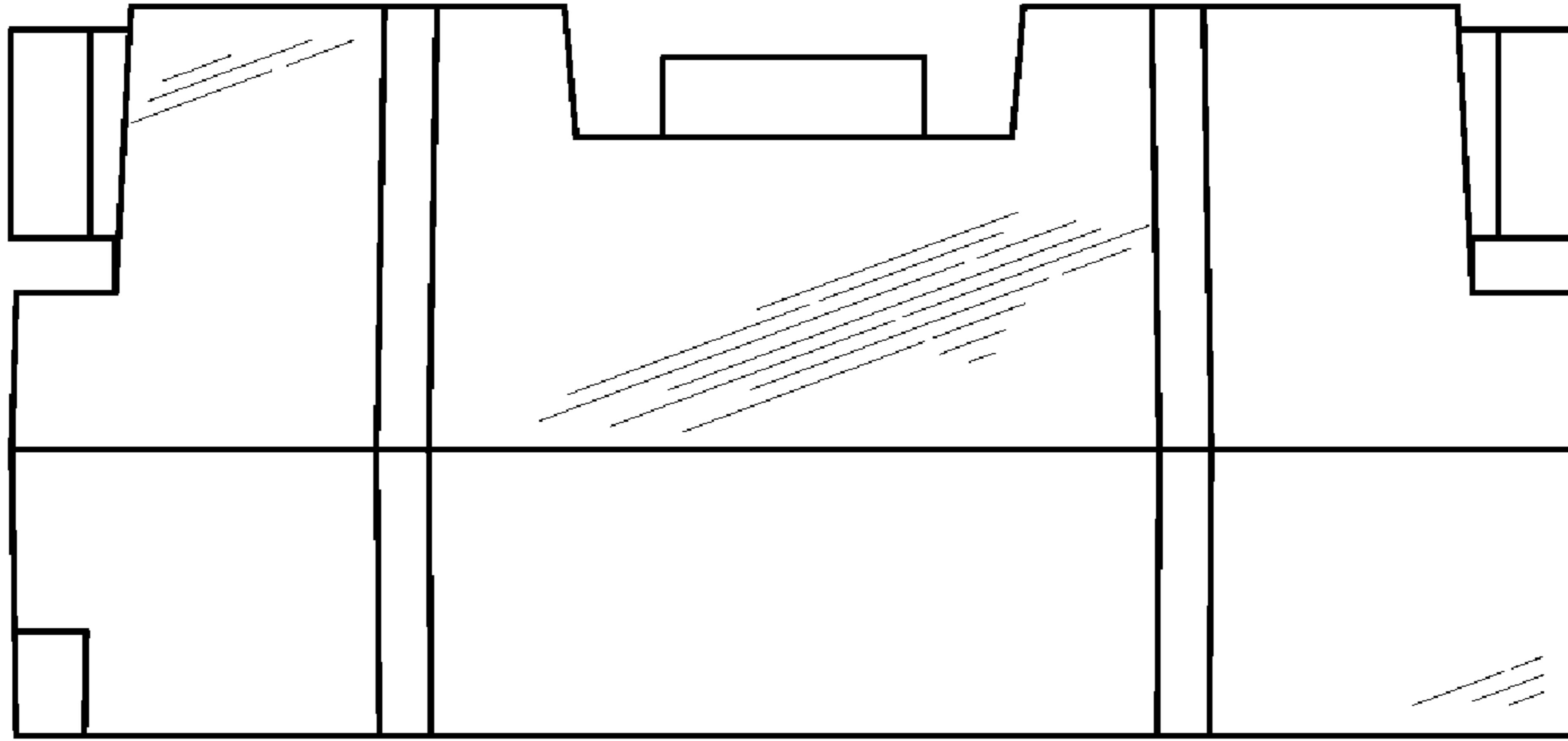


FIG. 7

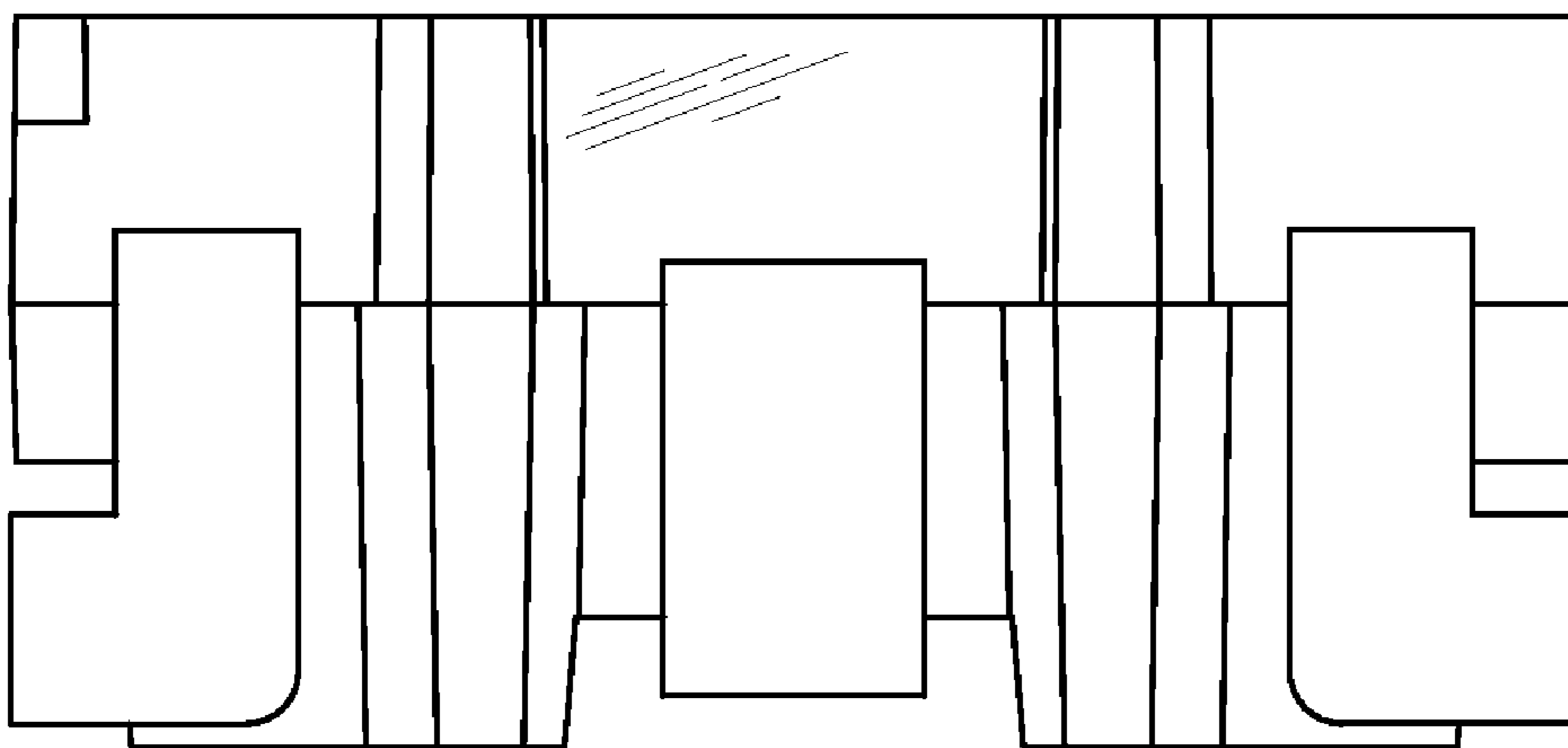


FIG. 8