



US00D611004S

(12) **United States Design Patent**  
**Nutting et al.**

(10) **Patent No.:** **US D611,004 S**  
(45) **Date of Patent:** **\*\* Mar. 2, 2010**

(54) **TEST SWITCH WITH IMPROVED MARKING**

(75) Inventors: **Robert Nutting**, Boynton Beach, FL  
(US); **Roy Ball**, Coral Springs, FL (US);  
**Timothy Masters**, Boca Raton, FL (US)

(73) Assignee: **ABB Technology AG**, Zurich (CH)

(\*\*) Term: **14 Years**

(21) Appl. No.: **29/340,452**

(22) Filed: **Jul. 19, 2009**

(51) **LOC (9) Cl.** ..... **13-03**

(52) **U.S. Cl.** ..... **D13/162**

(58) **Field of Classification Search** ..... D13/158,  
D13/162, 164, 169, 184, 199; 29/622; 200/5 A,  
200/1 B, 433, 525, 553, 315, 335, 332, 339;  
324/418-423, 754; 335/159

See application file for complete search history.

(56) **References Cited**

**U.S. PATENT DOCUMENTS**

7,302,752 B2 \* 12/2007 Ball ..... 29/622  
D583,334 S \* 12/2008 Ball et al. .... D13/169  
D587,213 S \* 2/2009 Ball et al. .... D13/169  
D593,961 S 6/2009 Ball et al.  
D595,662 S 7/2009 Ball et al.

7,563,999 B2 \* 7/2009 Ball et al. .... 200/293  
2006/0059681 A1 \* 3/2006 Ball ..... 29/622  
2008/0011589 A1 \* 1/2008 Ball et al. .... 200/5 A

\* cited by examiner

*Primary Examiner*—Daniel D Bui

*Assistant Examiner*—Thomas J Johannes

(74) *Attorney, Agent, or Firm*—Michael C. Prewitt

(57) **CLAIM**

The ornamental design for a test switch with improved marking, as shown and described.

**DESCRIPTION**

FIG. 1 is a front and right side perspective view of a test switch with improved marking showing our new design;

FIG. 2 is a rear and right side perspective view thereof;

FIG. 3 is a front elevational view thereof;

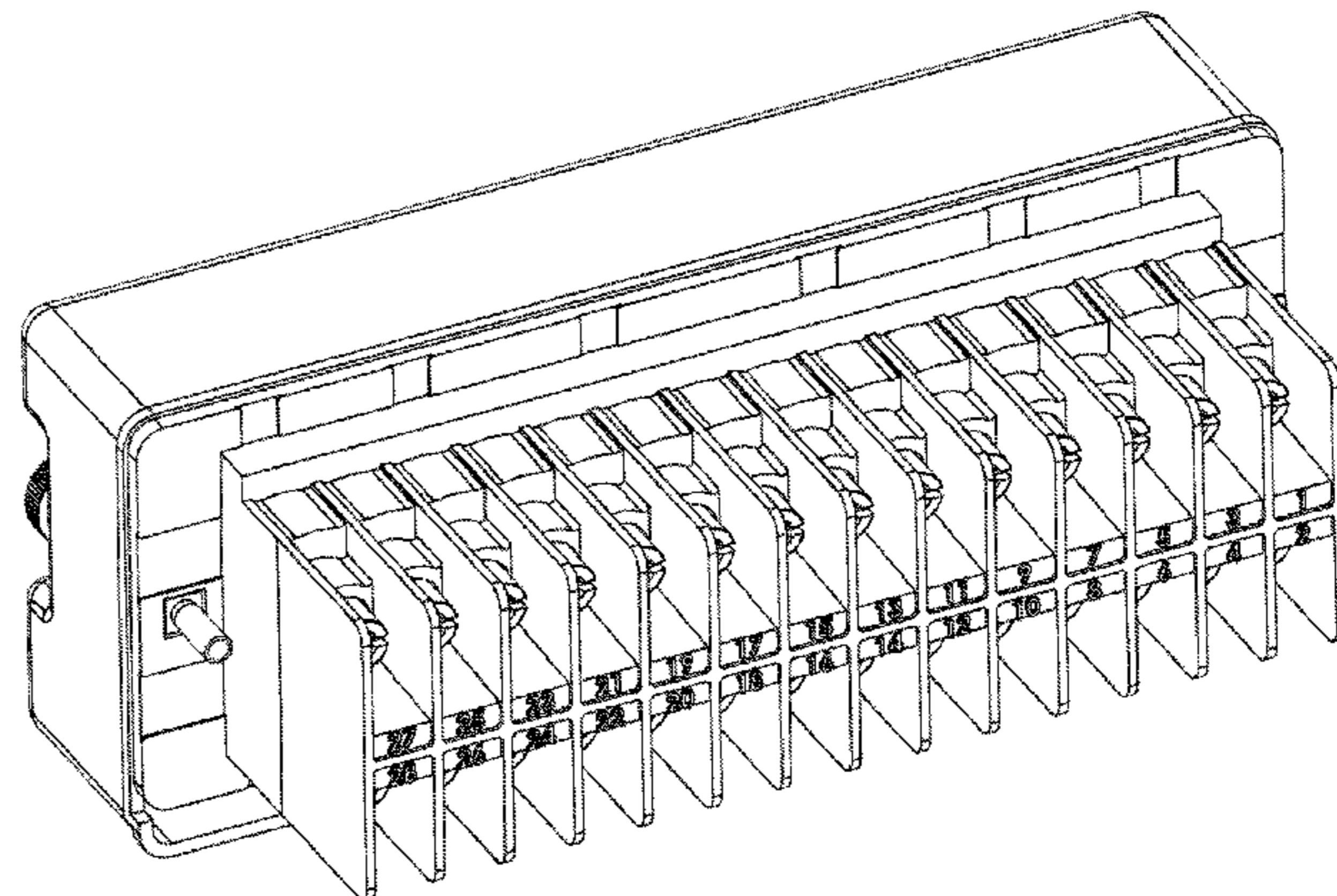
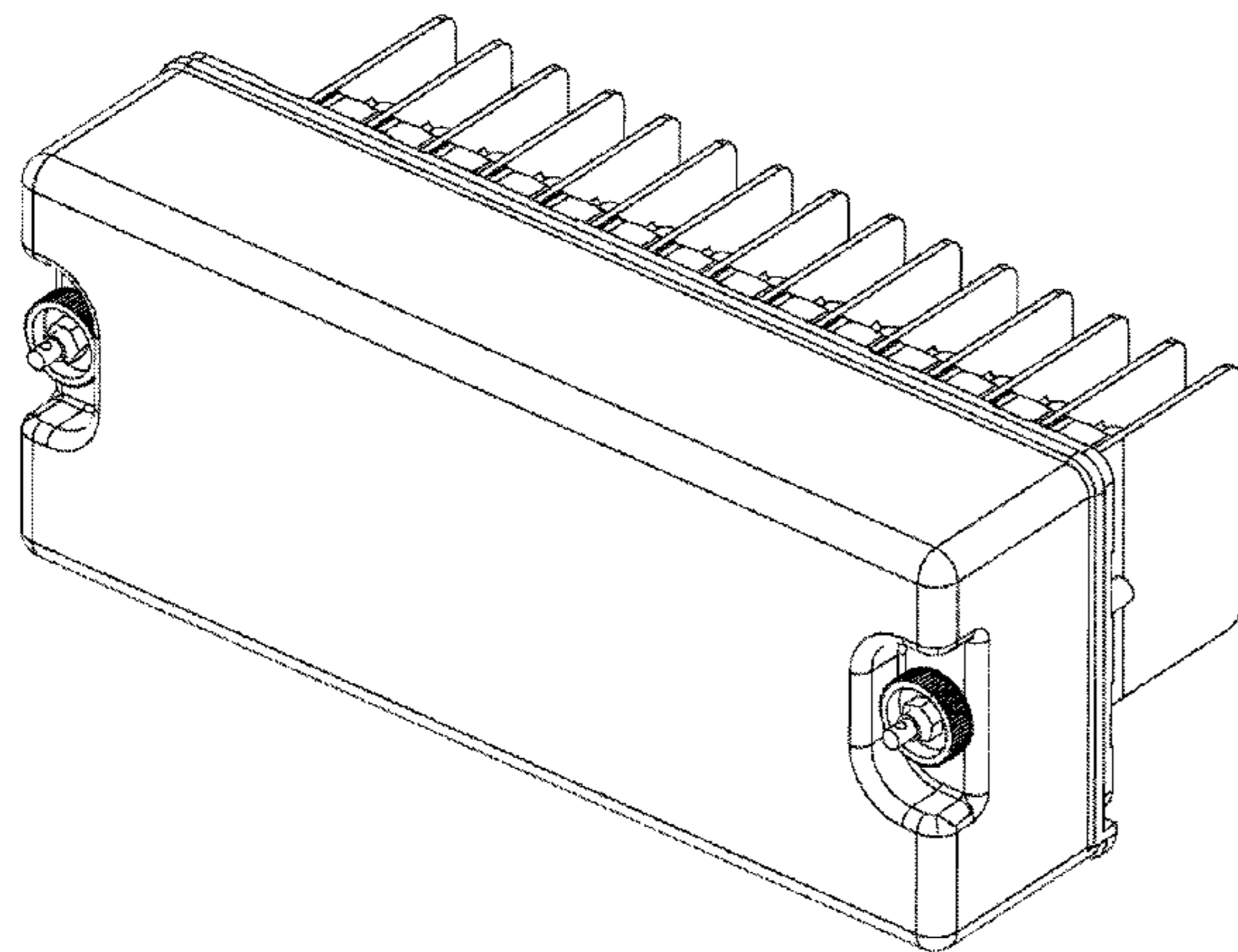
FIG. 4 is a rear elevational view thereof;

FIG. 5 is a left side elevational view thereof; the right side being a mirror image of the left side;

FIG. 6 is a top plan view thereof; and,

FIG. 7 is a bottom plan view thereof.

**1 Claim, 7 Drawing Sheets**



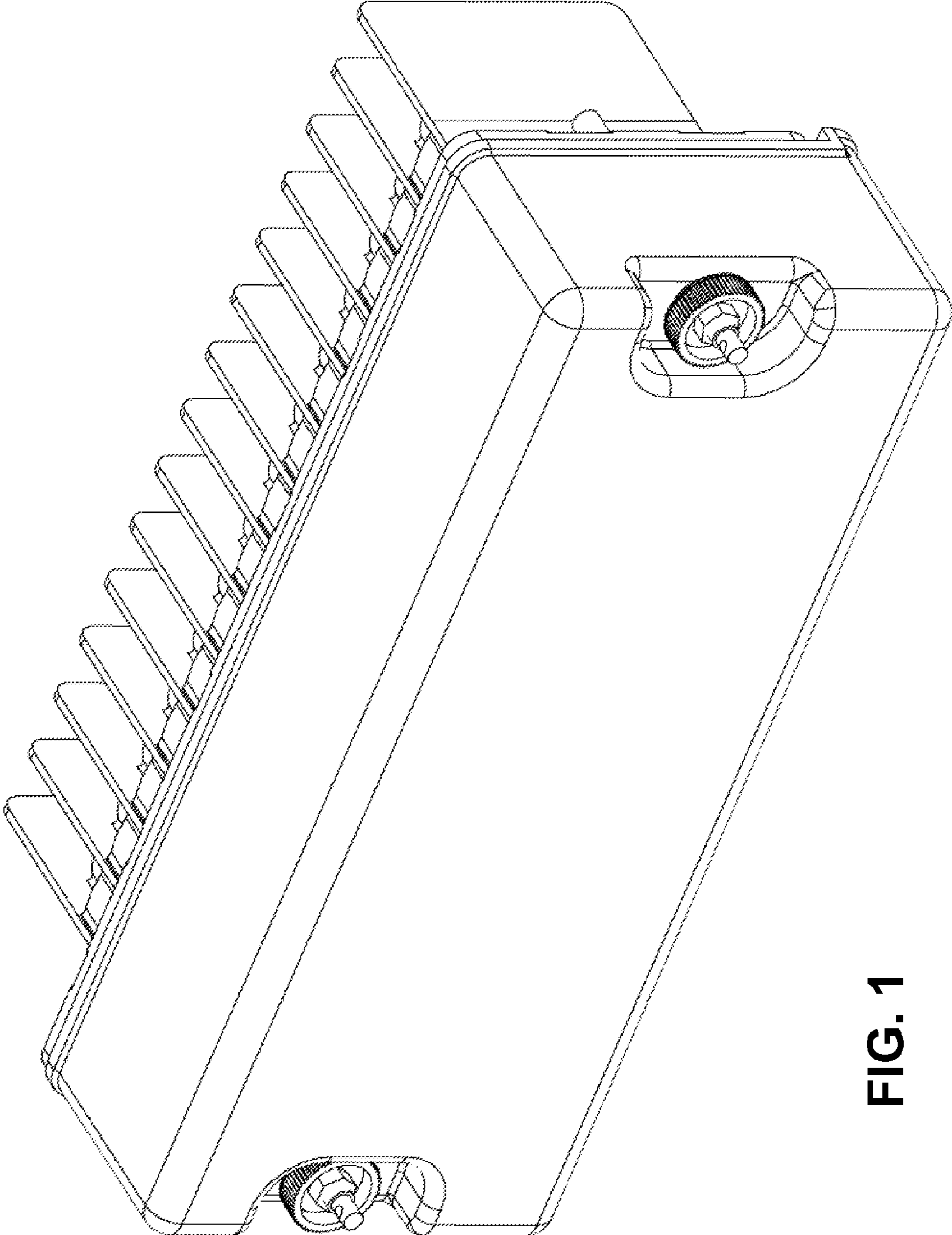


FIG. 1



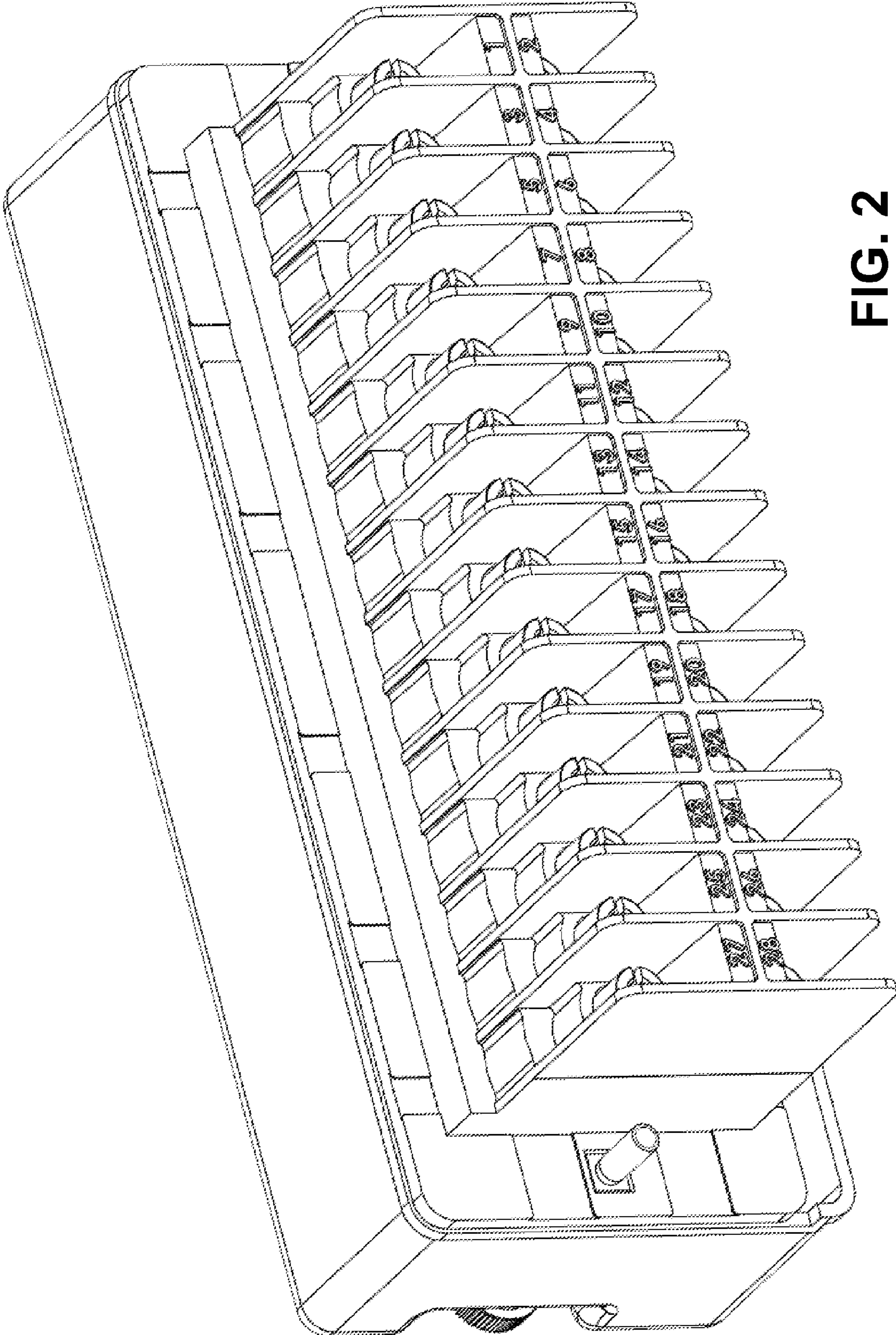


FIG. 2

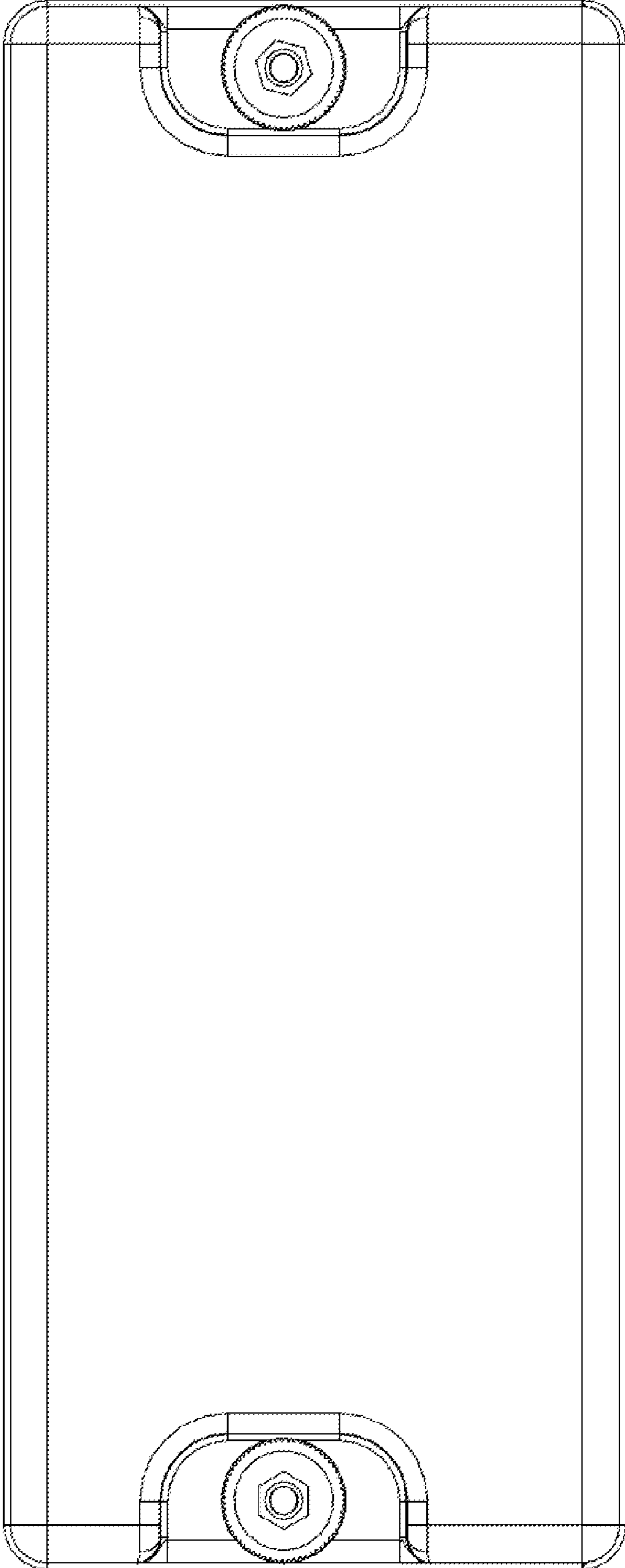


FIG. 3

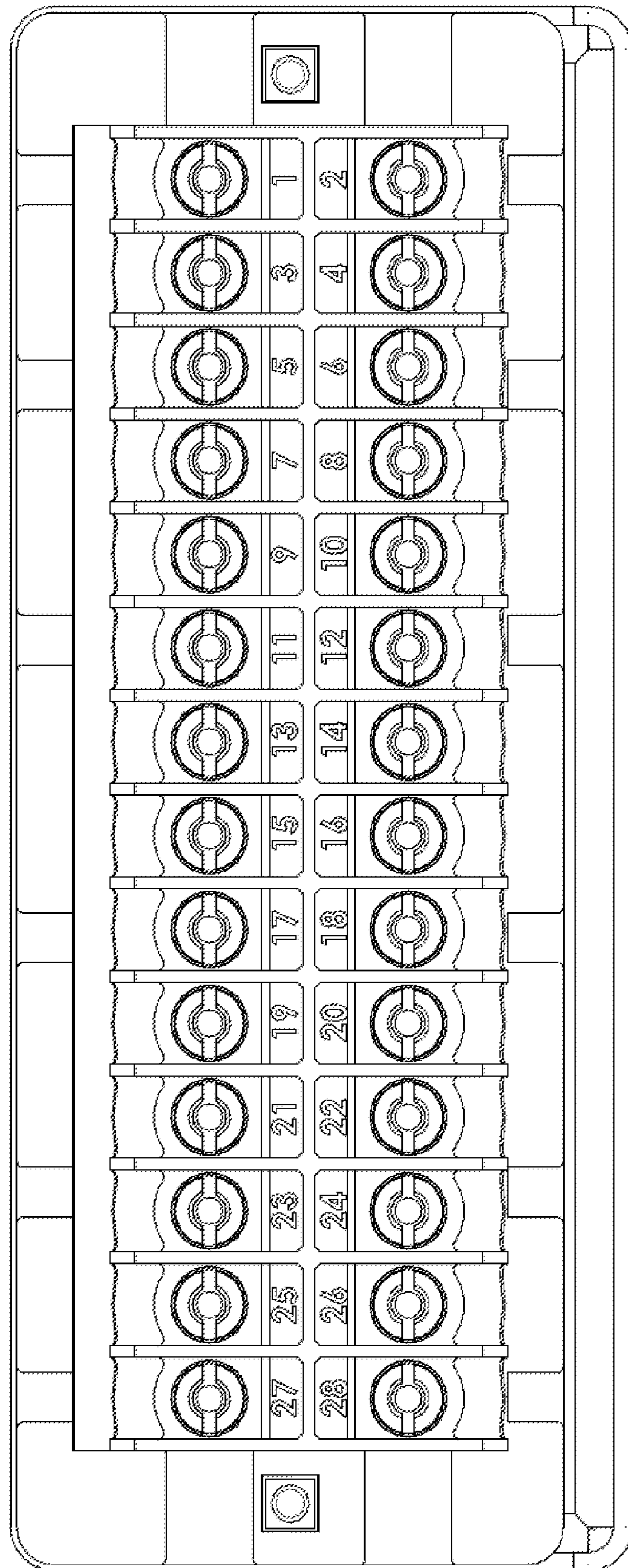


FIG. 4

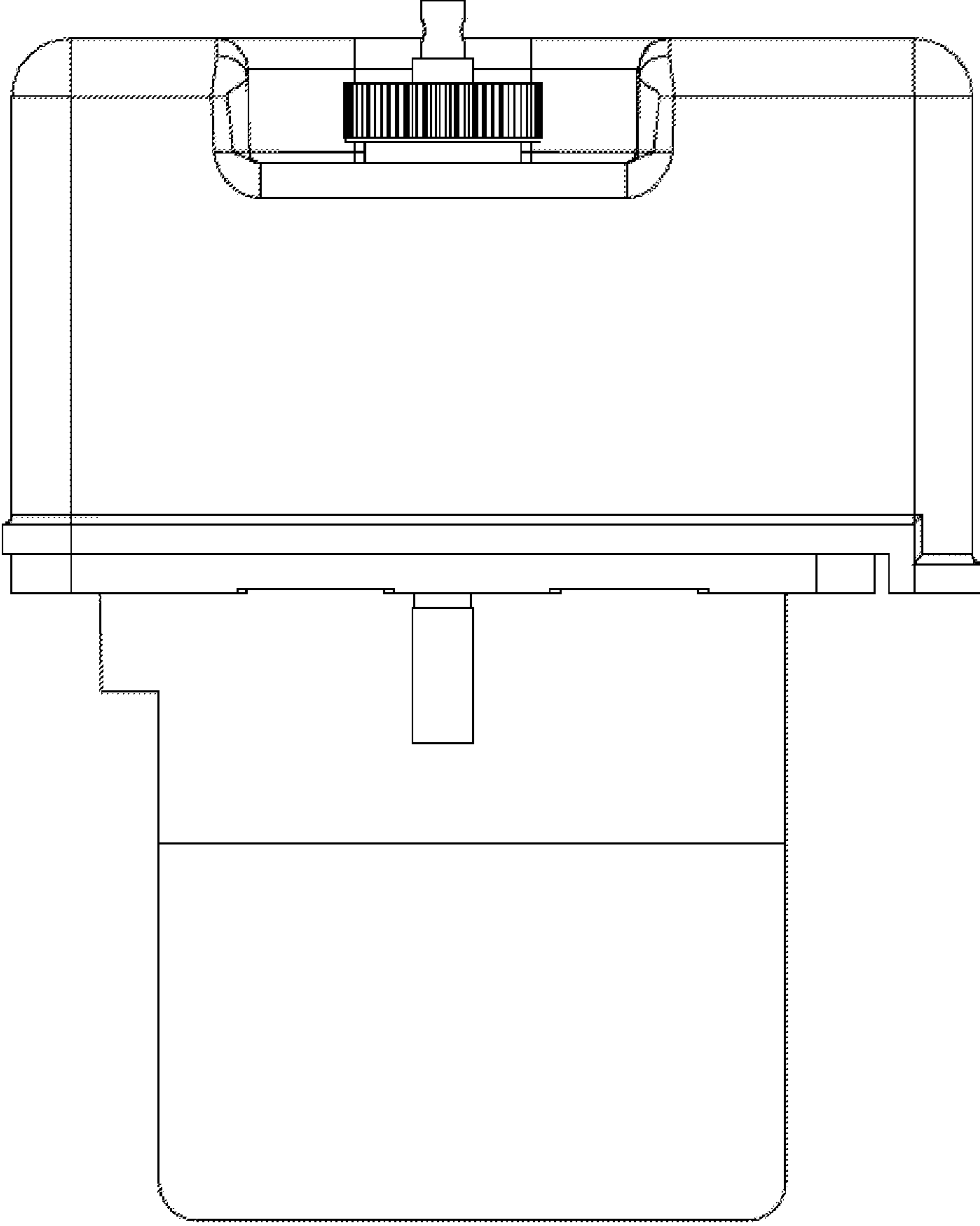


FIG. 5

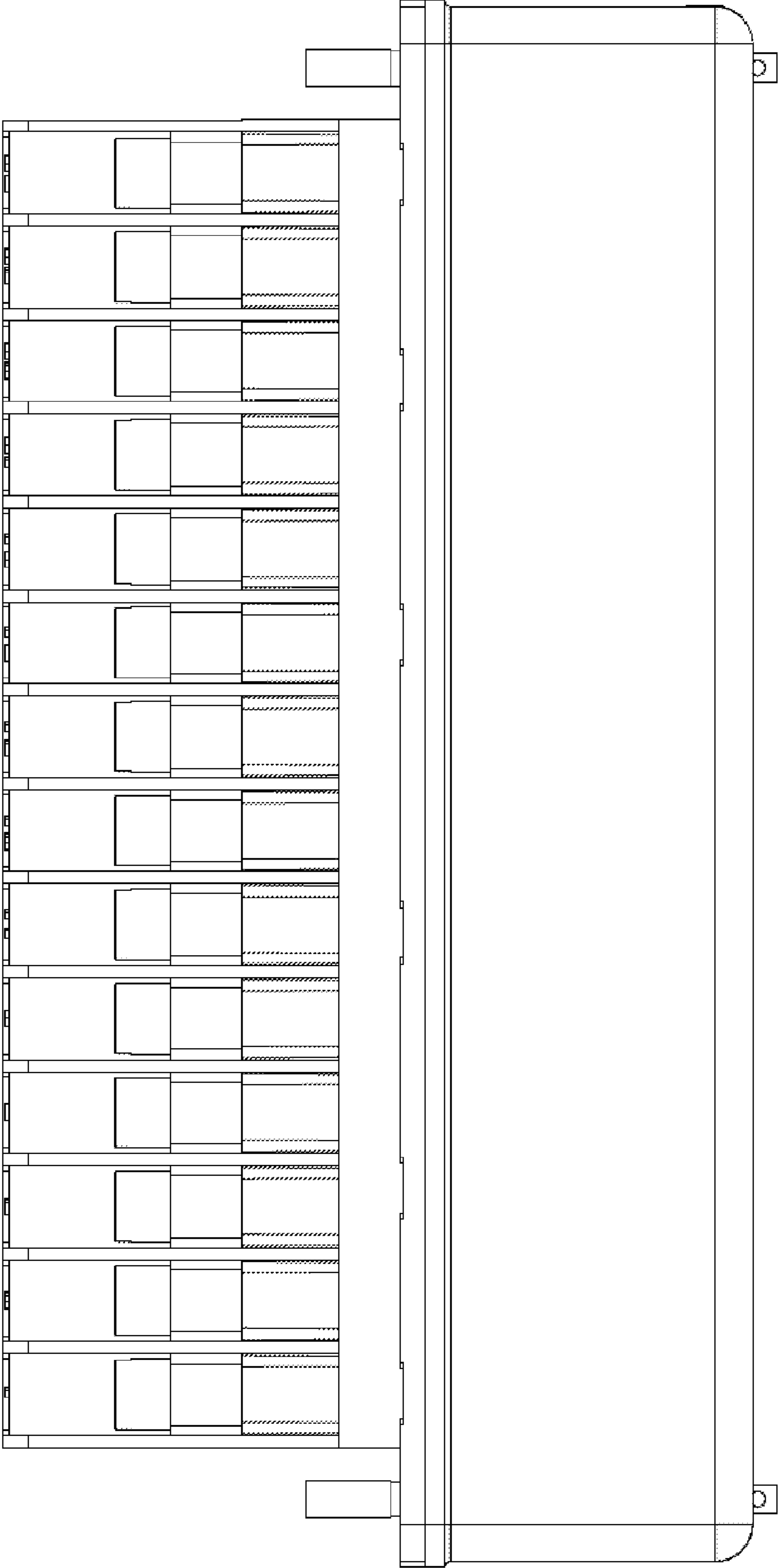


FIG. 6



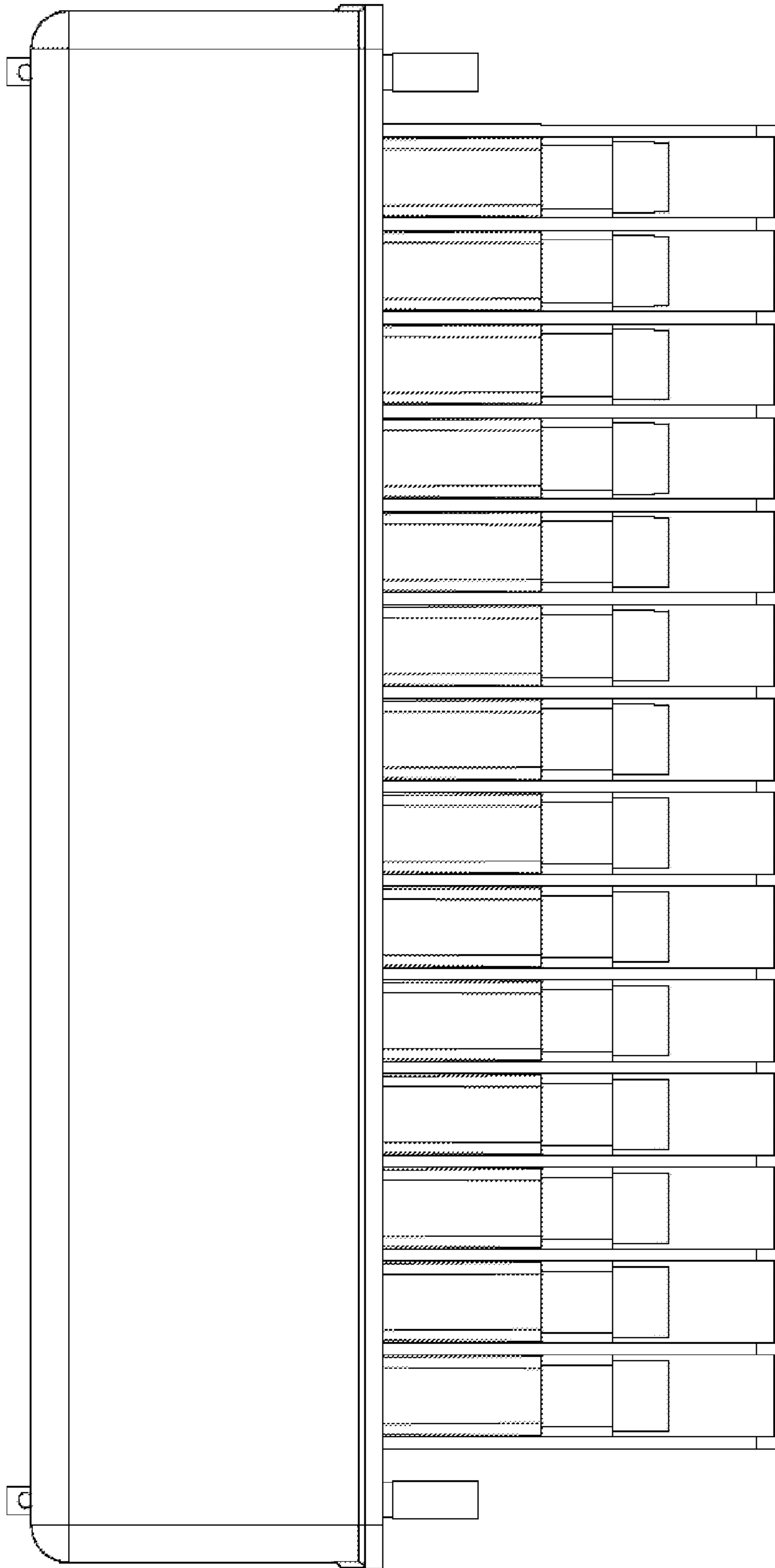


FIG. 7