



US00D611001S

(12) **United States Design Patent**
Ihde et al.

(10) **Patent No.:** **US D611,001 S**
(45) **Date of Patent:** **** Mar. 2, 2010**

(54) **TRAILER SWITCH**

(75) Inventors: **David Ihde**, Osage City, KS (US);
Daniel L. Scheller, Emporia, KS (US)

(73) Assignee: **Hopkins Manufacturing Corporation**,
Emporia, KS (US)

(**) Term: **14 Years**

(21) Appl. No.: **29/327,030**

(22) Filed: **Oct. 29, 2008**

(51) **LOC (9) Cl.** **13-03**

(52) **U.S. Cl.** **D13/158**

(58) **Field of Classification Search** D13/158,
D13/162, 168, 173, 184, 199; D12/180;
200/334, 61.19; 188/3 R, 181 R, 73.3, 73.31-73.39,
188/73.43, 73.45, 218 XL, 1.11 W, 206; 303/3,
303/7, 20, 24.1, 123

See application file for complete search history.

(56) **References Cited**

U.S. PATENT DOCUMENTS

3,691,330	A *	9/1972	Hollander	200/61.19
4,413,164	A *	11/1983	Obermann et al.	200/38 R
D331,226	S *	11/1992	Austin	D13/162
D385,852	S *	11/1997	Pingel et al.	D13/158
D404,365	S *	1/1999	Robertson et al.	D13/162
D418,098	S *	12/1999	Wallace	D12/180
6,407,353	B1 *	6/2002	Fritzinger et al.	200/334
D542,745	S *	5/2007	Barnes et al.	D13/184

D593,507	S *	6/2009	Svoboda et al.	D13/162
2002/0157930	A1 *	10/2002	Kamino et al.	200/43.07
2008/0078658	A1 *	4/2008	Poyner et al.	200/43.07

* cited by examiner

Primary Examiner—Daniel D Bui

Assistant Examiner—Thomas J Johannes

(74) *Attorney, Agent, or Firm*—George R. McGuire; Bond
Schoeneck & King, PLLC

(57) **CLAIM**

The ornamental design for a trailer switch, as shown and described.

DESCRIPTION

FIG. 1 is a perspective view of a first embodiment, having an LED, of a trailer switch showing our new design;

FIG. 2 is a top plan view thereof;

FIG. 3 is the first side elevation view thereof;

FIG. 4 is the second side elevation view thereof;

FIG. 5 is a front end elevation thereof;

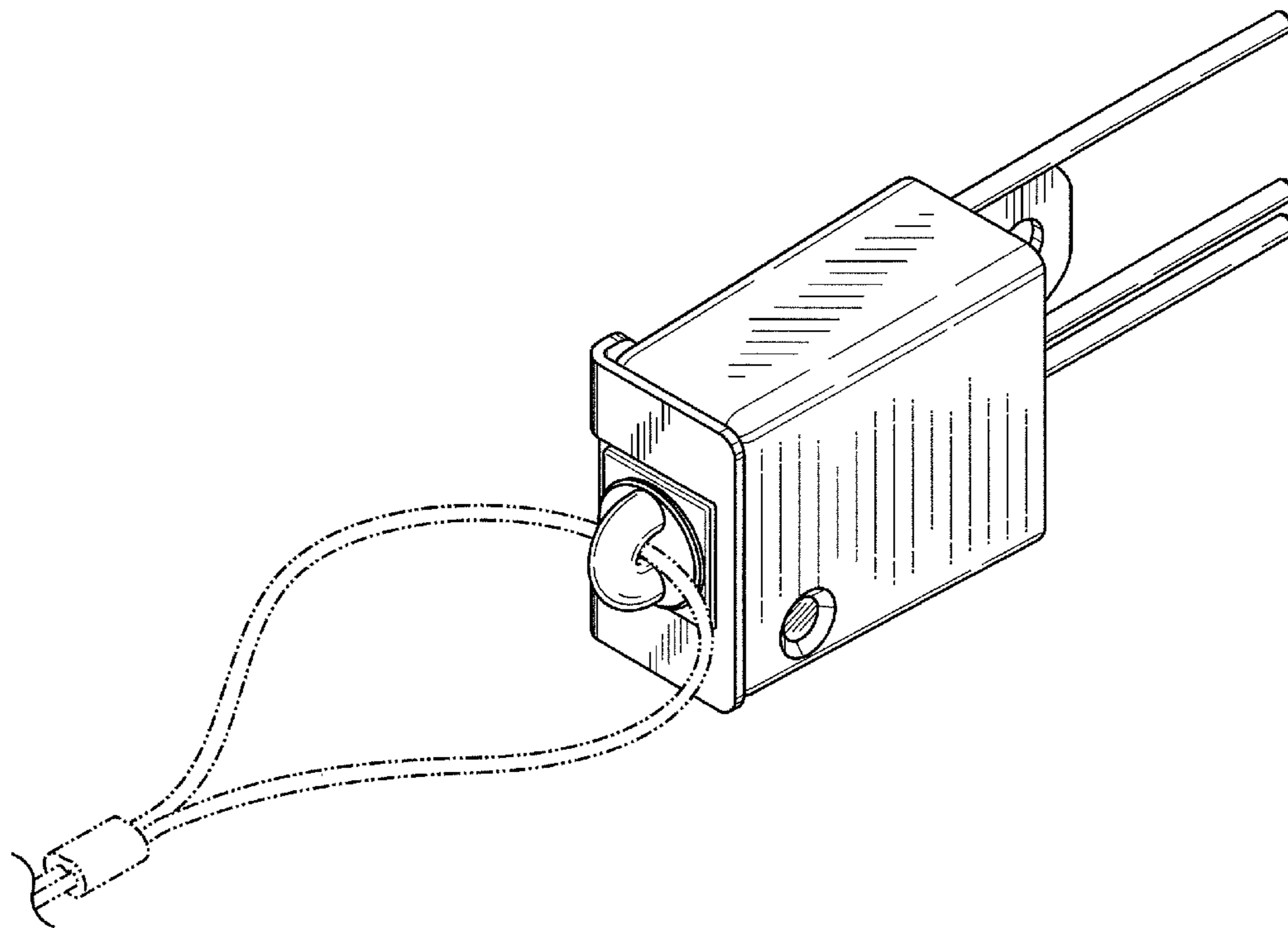
FIG. 6 is a rear end elevation thereof;

FIG. 7 is a perspective view of a second embodiment, without an LED, of a trailer switch showing our new design; and,

FIG. 8 is a first side elevation view thereof.

The broken line portion of FIG. 1 is included to show the unclaimed short portion of a cable only and forms no part of the claimed design.

1 Claim, 4 Drawing Sheets



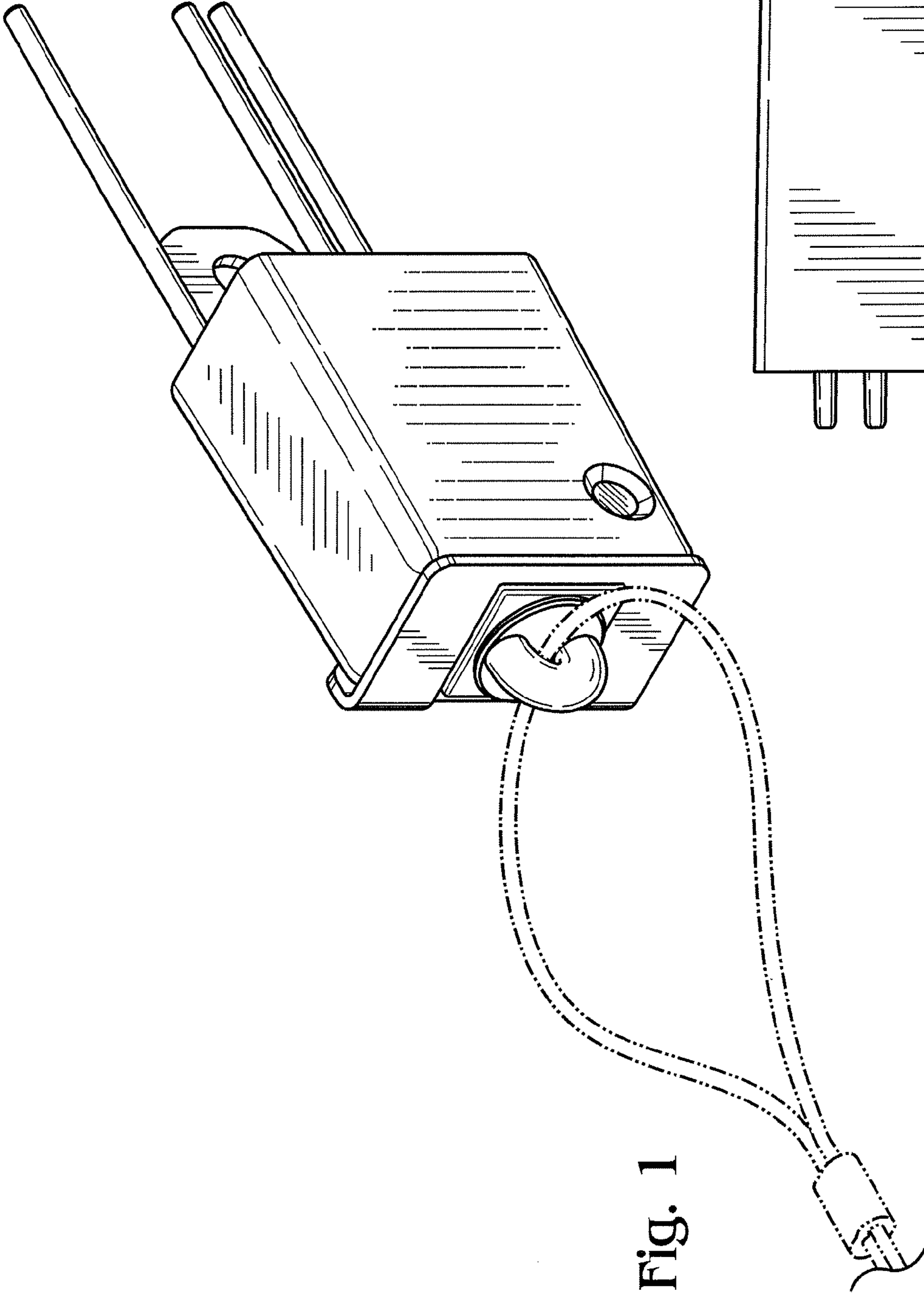


Fig. 2

Fig. 1

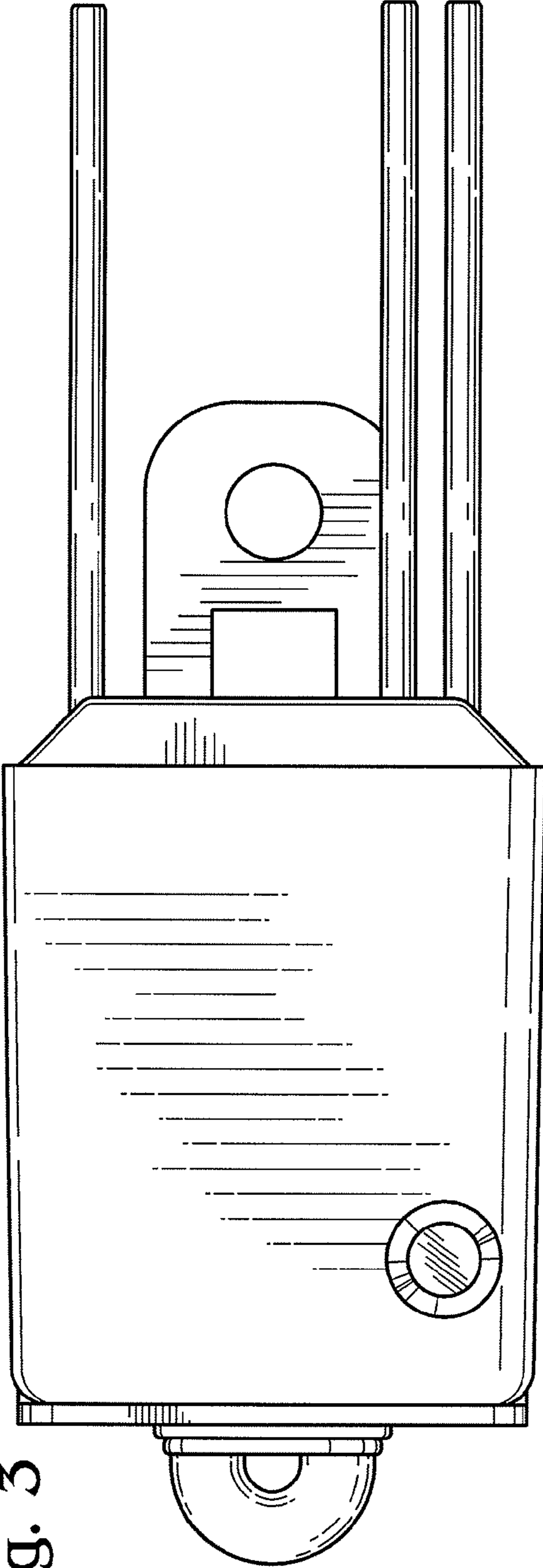


Fig. 3

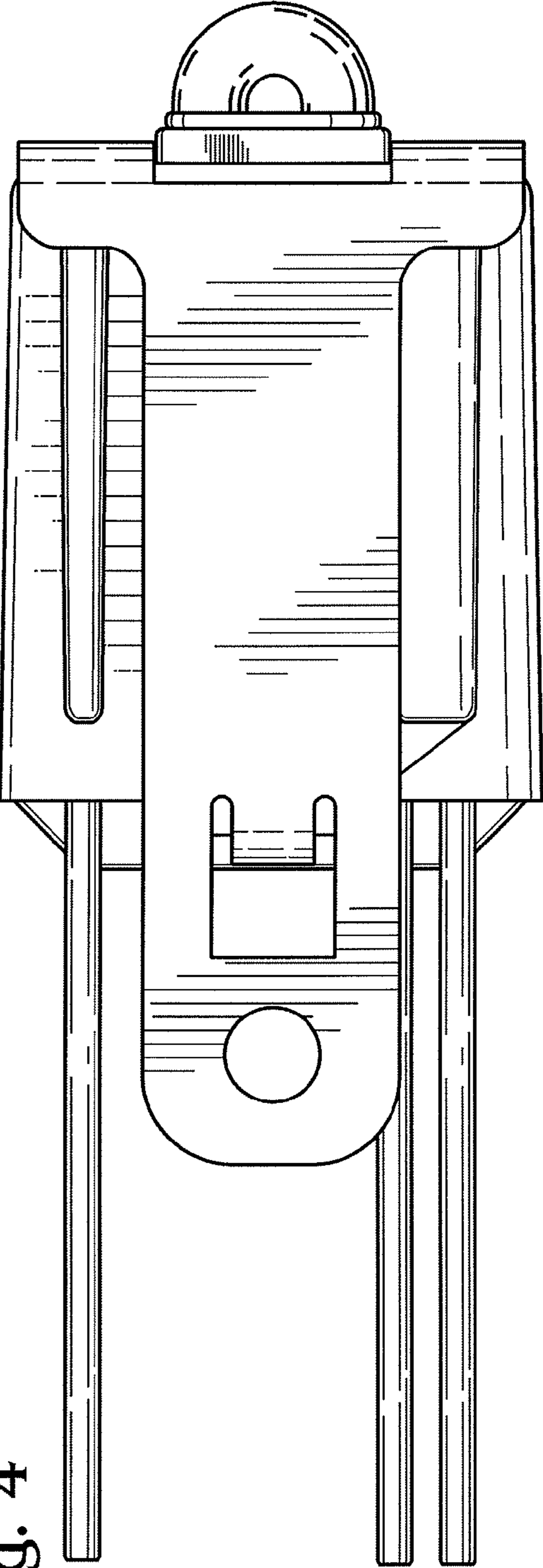


Fig. 4

Fig. 5

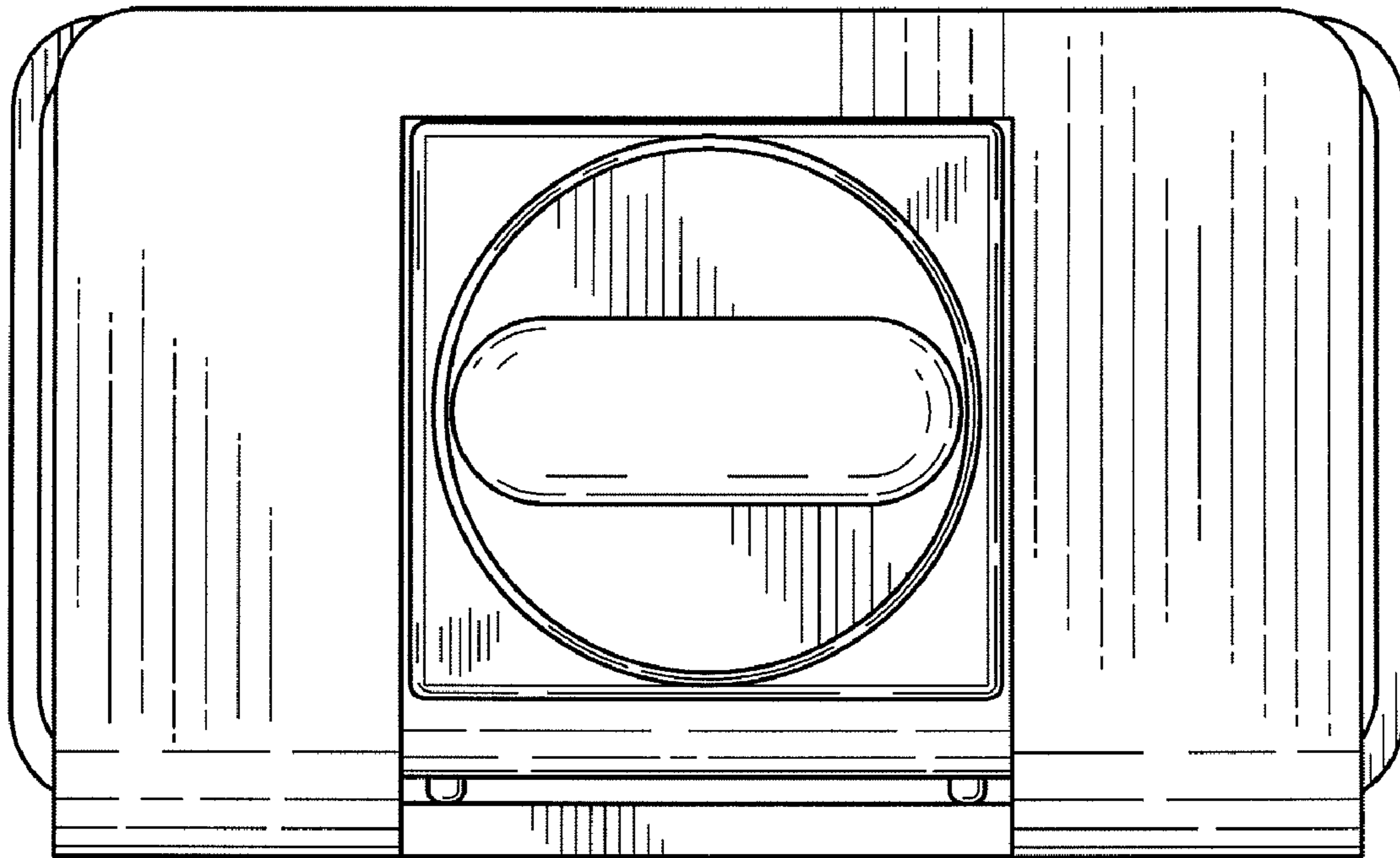


Fig. 6

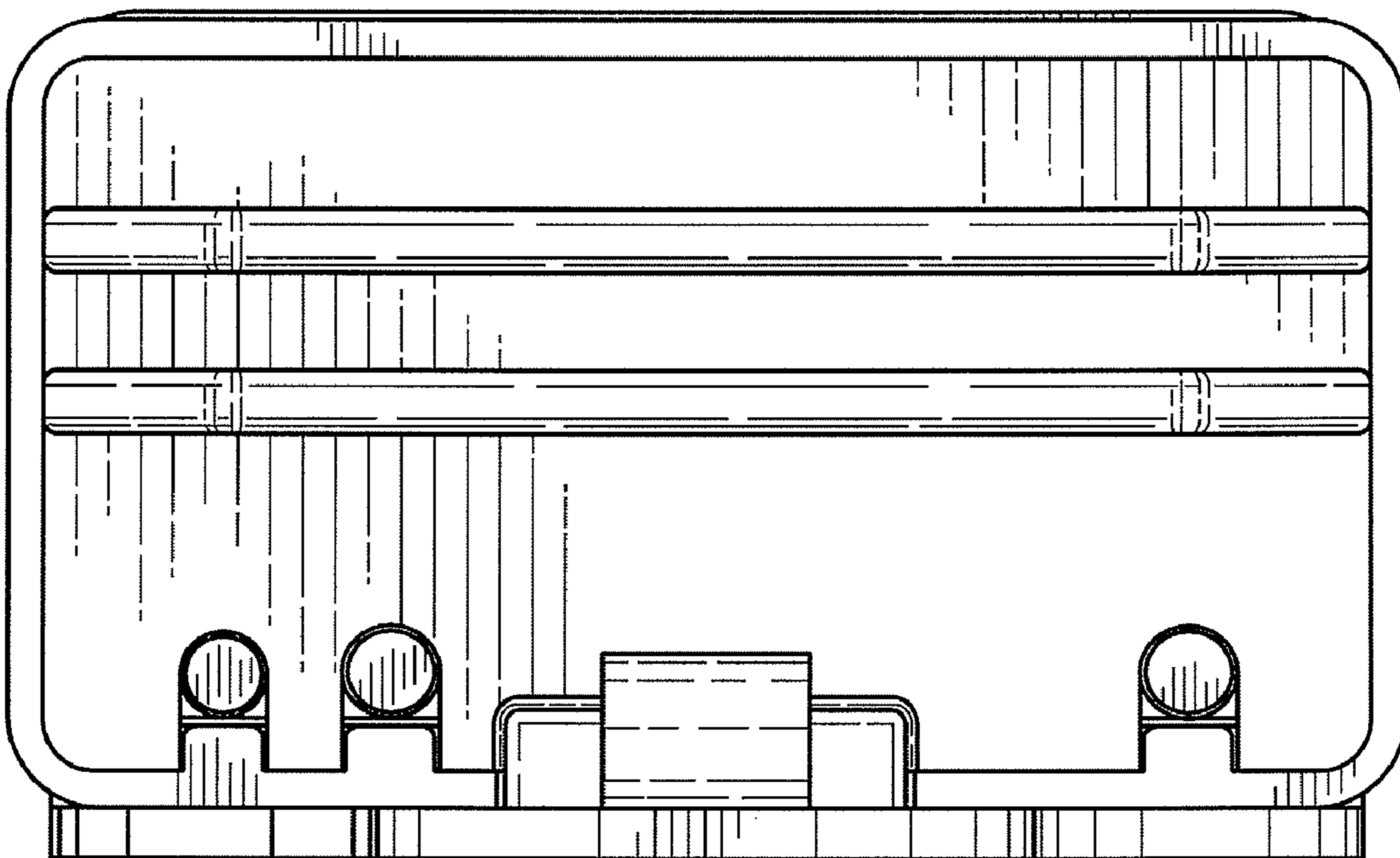


Fig. 7

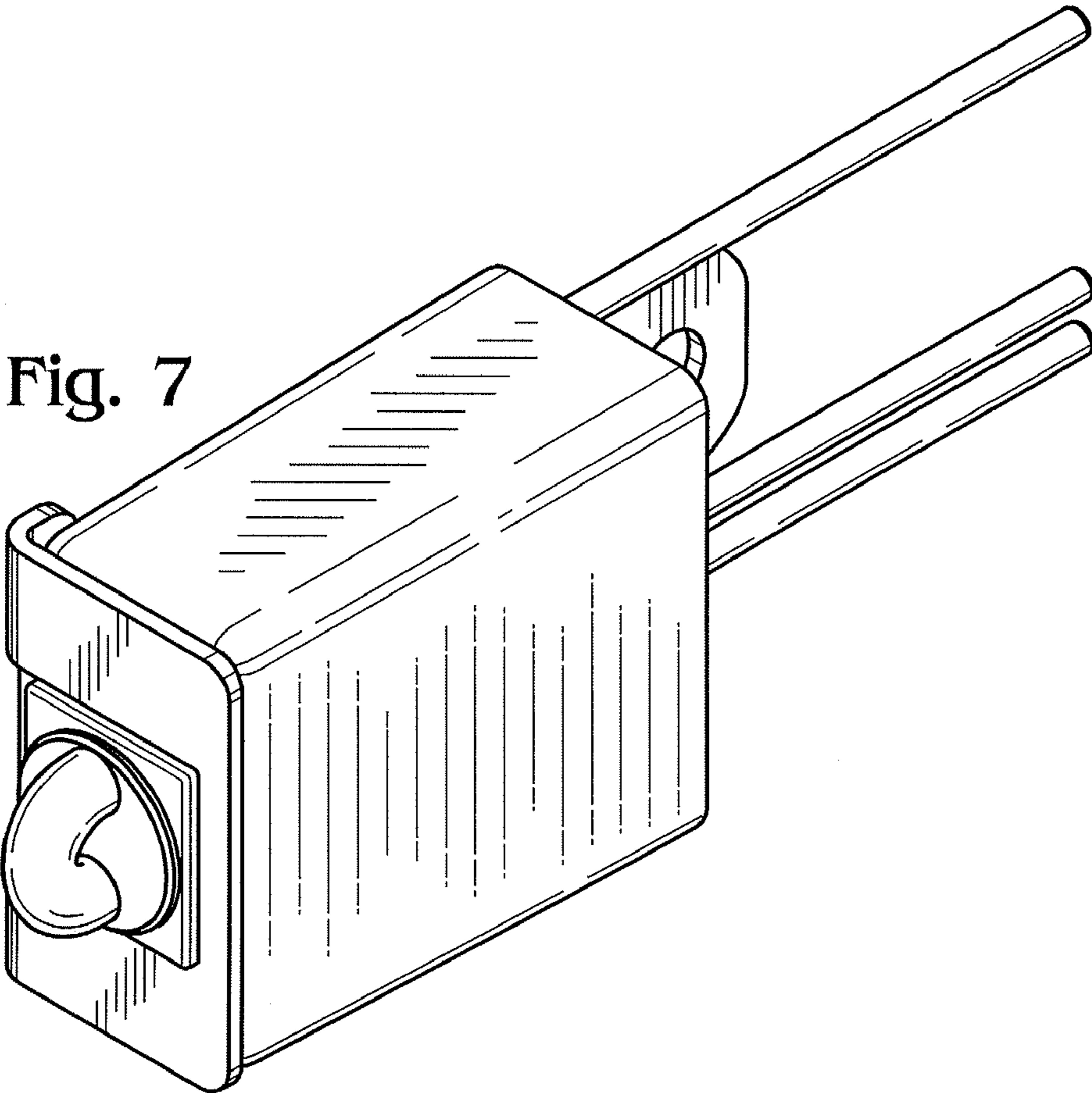


Fig. 8

